

[54] **ORNAMENTS FOR TOILET FLUSH HANDLES**

[76] **Inventor: Ronald P. Hardman, 1046 W. Tropicana Ct., Ontario, Calif. 91762**

[**] **Term: 14 Years**

[21] **Appl. No.: 315,771**

[22] **Filed: Feb. 27, 1989**

[52] **U.S. Cl. D23/251; D8/305**

[58] **Field of Search D23/250-254, D23/238-243, 301; 4/324, 325, 342, 394, 393; D21/215; D8/305; 16/110 R, 115, 121**

[56] **References Cited**

U.S. PATENT DOCUMENTS

D. 104,495 5/1937 Gallagher D21/215

D. 263,990 4/1982 Fleischmann et al. D23/252
D. 284,500 7/1986 Bolgert et al. D23/252
2,636,184 4/1953 Skutt et al. 4/324

*Primary Examiner—Stella Reid
Attorney, Agent, or Firm—Edgar W. Averill, Jr.*

[57] **CLAIM**

The ornamental design for toilet flush handles, as shown and described.

DESCRIPTION

FIG. 1 is a top, right side perspective view of ornaments for toilet flush handles, showing my new design, the broken line showing is for illustrative purposes only and forms no part of the claimed design;
FIG. 2 is a rear, top, left side perspective view thereof; and
FIG. 3 is a bottom plan view thereof.

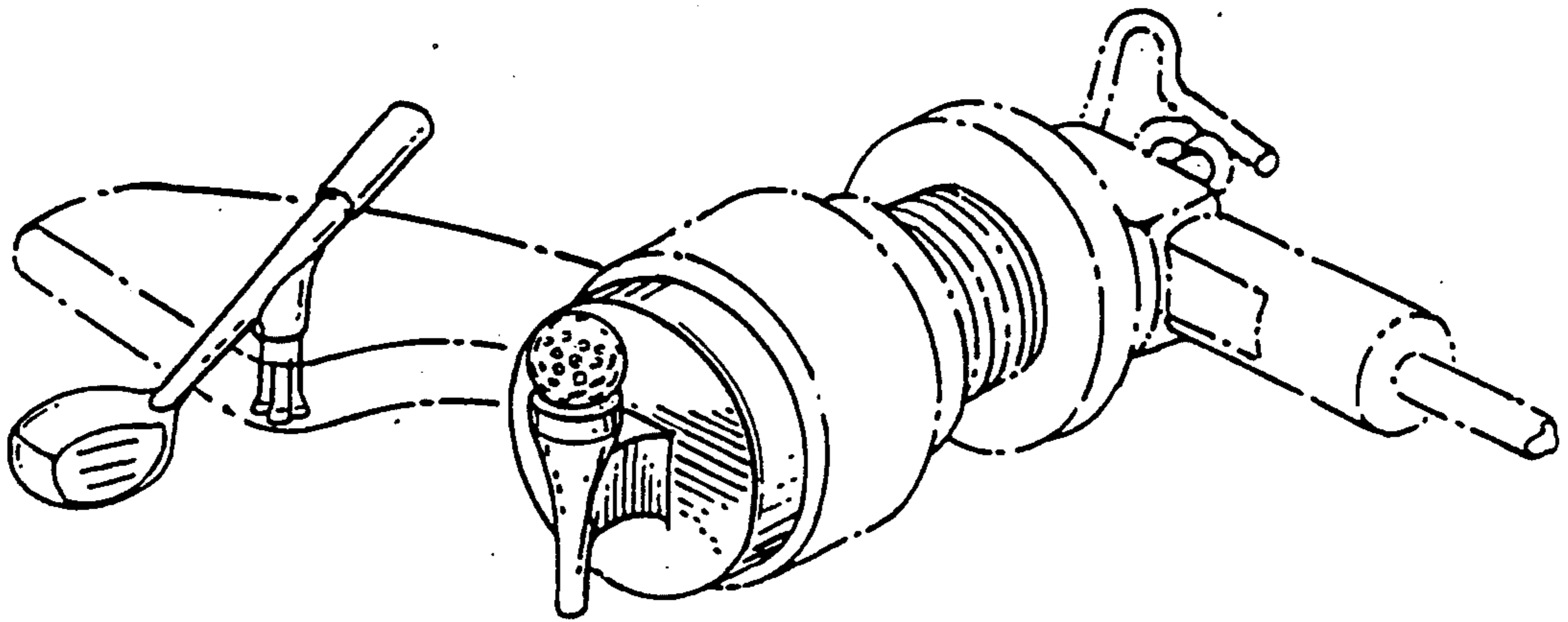


FIG. 1.

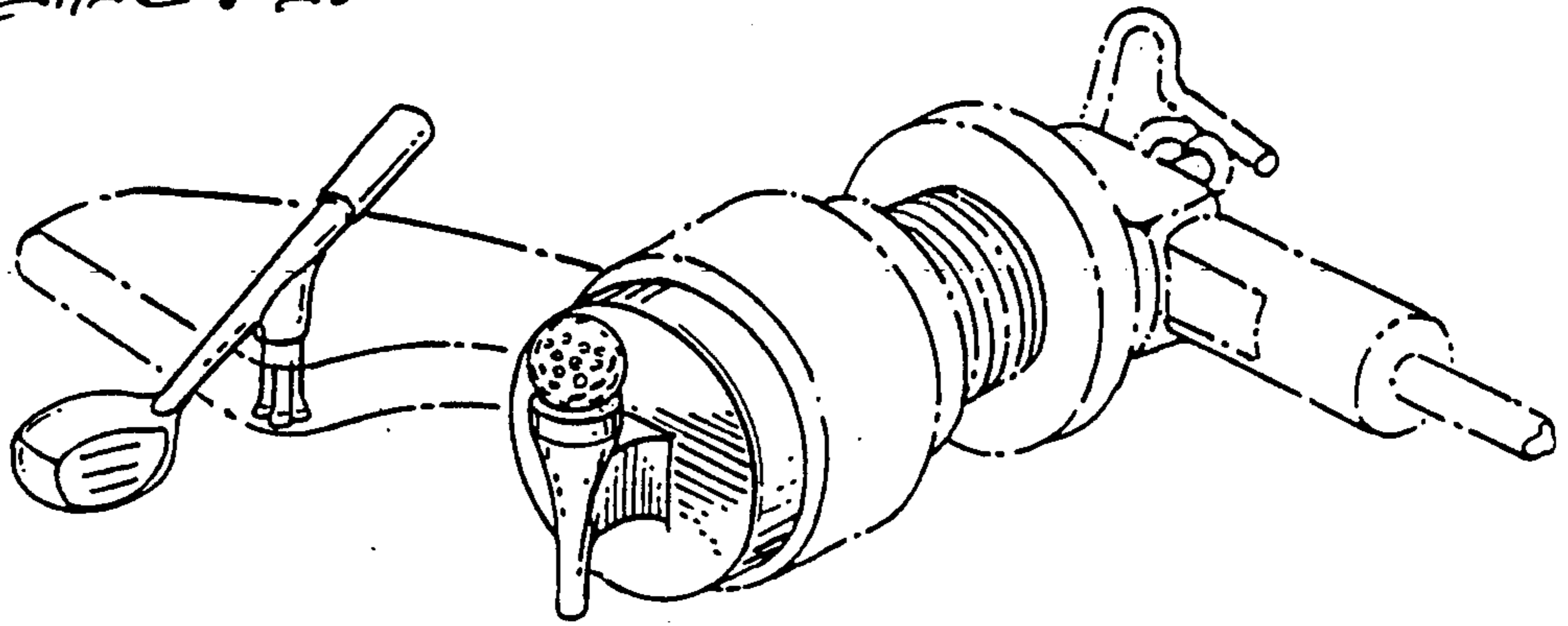


FIG. 2.

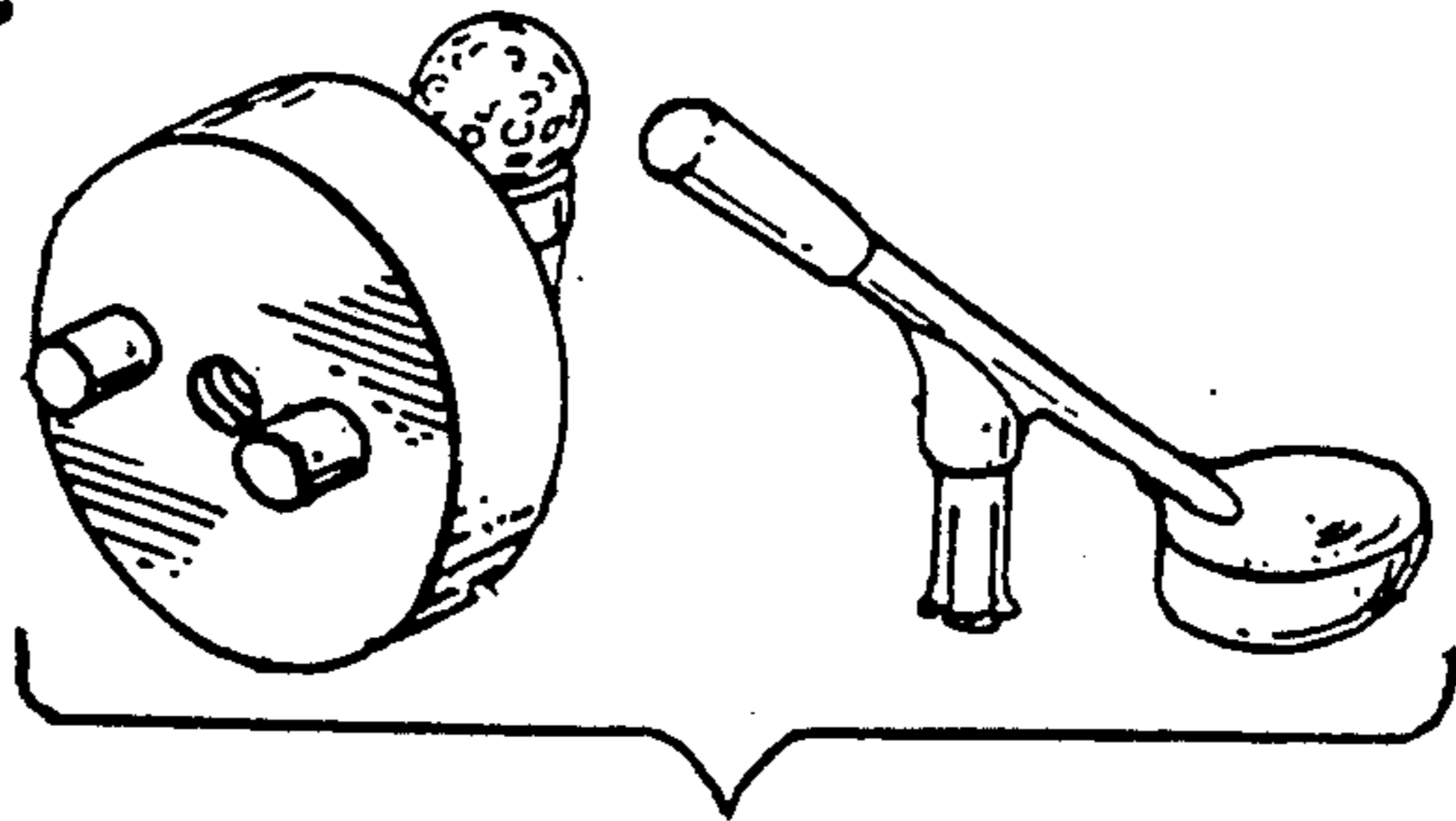


FIG. 3.

