

[54] TOY BASKETBALL GOAL

[75] Inventors: Thomas E. Fish, Jr., Wickliffe; Michael J. Healy, Tallmadge; Robert L. Houry, Solon; Keith A. Pelfrey, Wadsworth, all of Ohio

[73] Assignee: The Little Tikes Company, Hudson, Ohio

[**] Term: 14 Years

[21] Appl. No.: 270,300

[22] Filed: Nov. 14, 1988

[52] U.S. Cl. D21/201

[58] Field of Search D21/201; 273/1.5 R, 273/1.5 A

[56] References Cited

U.S. PATENT DOCUMENTS

D. 238,440	1/1976	Scarlotti	D21/201
D. 299,041	12/1988	Thornell	D21/201
D. 300,757	4/1989	Thornell	D21/201
D. 309,170	7/1990	Bisch	D21/201
4,145,044	3/1979	Wilson et al.		

OTHER PUBLICATIONS

Catalog Page, Huffy Basketball, Frabill Sporting Goods

Division, 2018 South First St., P.O. Box 07493, Milwaukee, WI 53207, publication date 1982. pp. 6, 7, & 9, Today's Kids, Route 10 East, Booneville, AR 72927, publication date 1987.

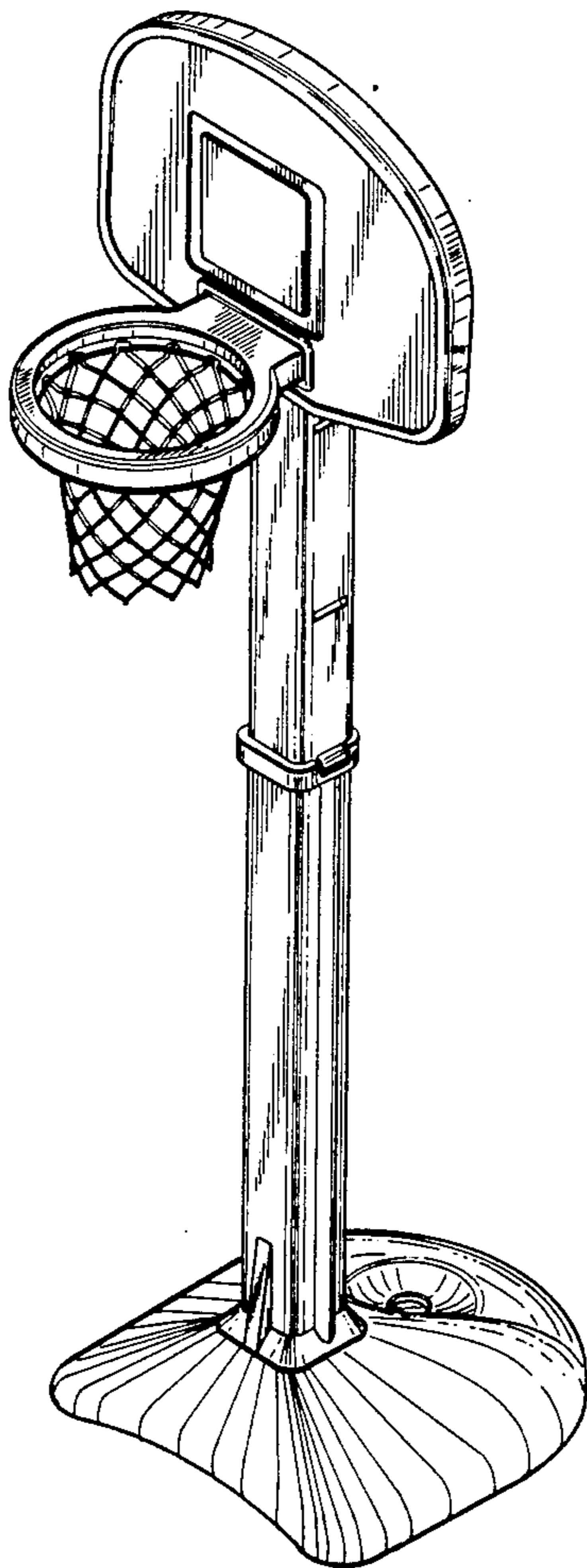
Primary Examiner—Melvin B. Feifer
Assistant Examiner—Philip Hyder
Attorney, Agent, or Firm—Richard B. O'Planick

[57] CLAIM

The ornamental design for a toy basketball goal, as shown and described.

DESCRIPTION

FIG. 1 is a perspective view of a toy basketball goal showing my new design; FIG. 2 is a front elevational view thereof; FIG. 3 is a rear elevational view thereof; FIG. 4 is a top plan view thereof; FIG. 5 is a bottom plan view thereof; FIG. 6 is a fragmentary left side elevational view thereof; and FIG. 7 is a right side elevational view thereof, the left side elevational view being a mirror image except for the portion shown in FIG. 6.



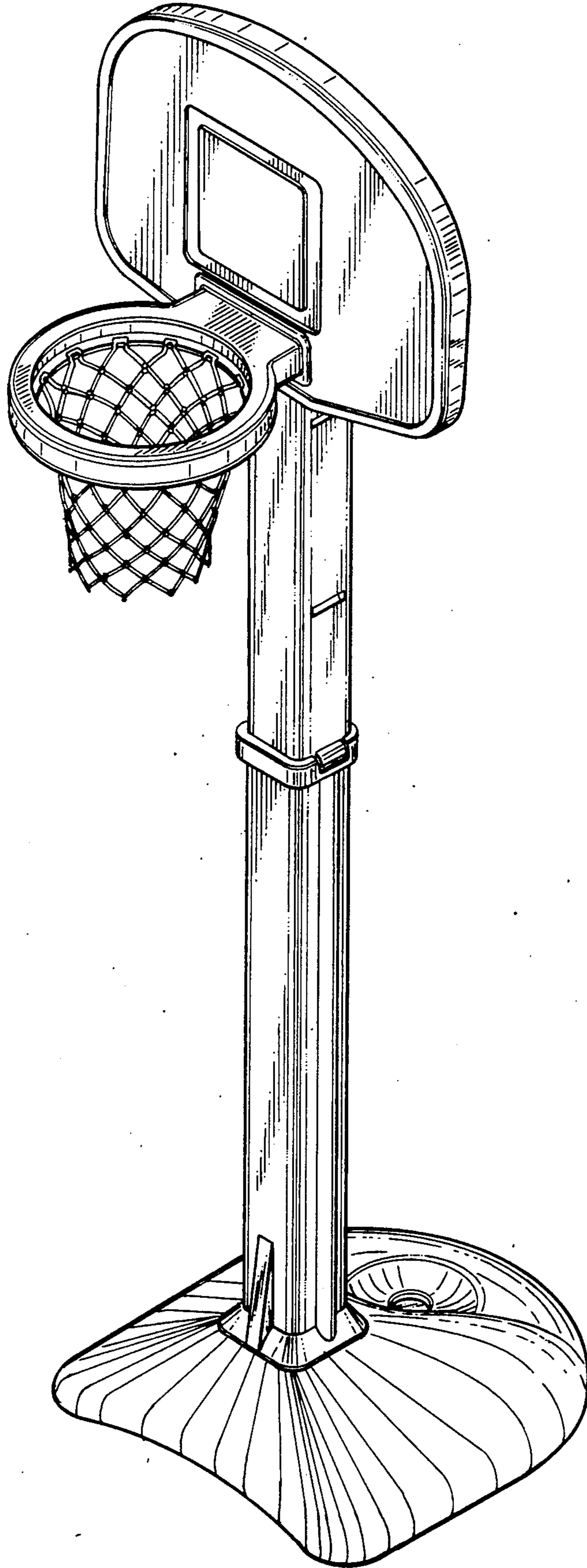


FIG. 1

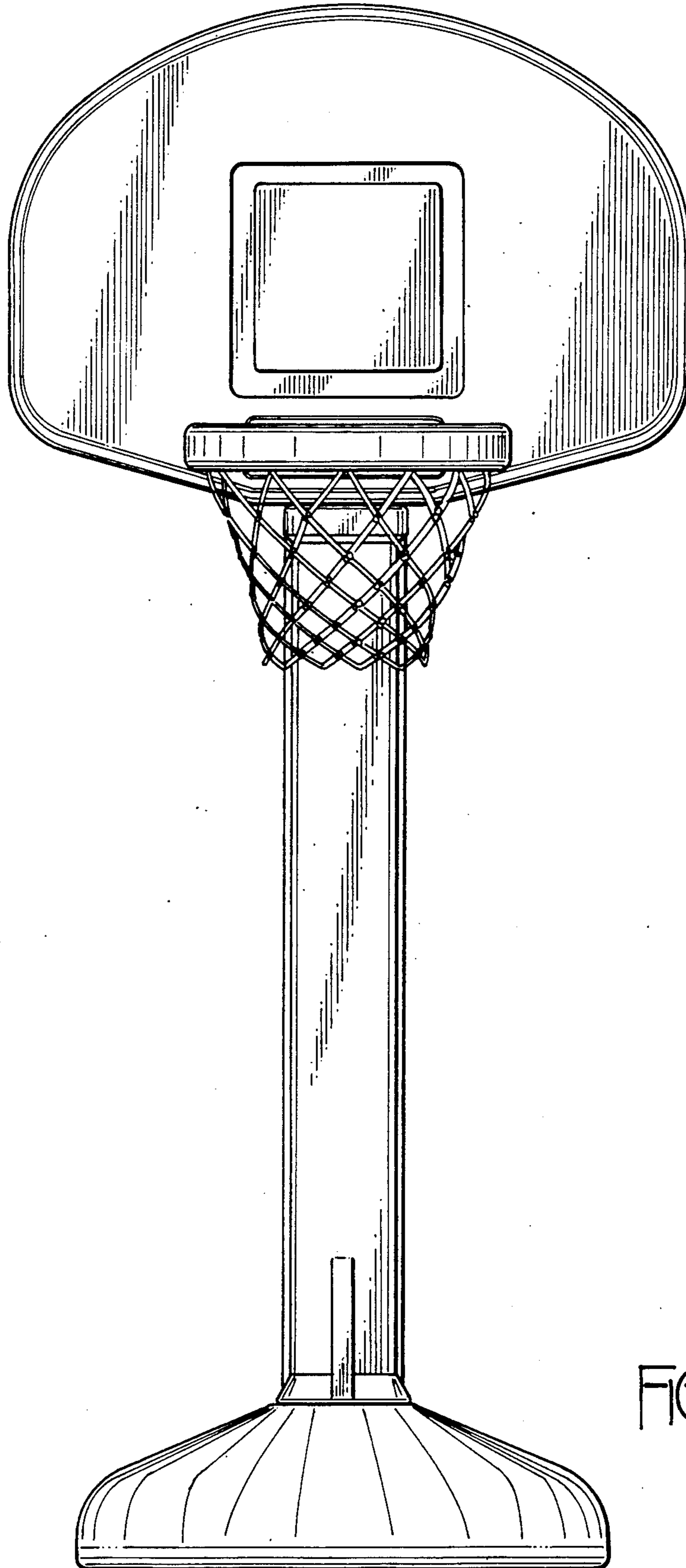


FIG. 2

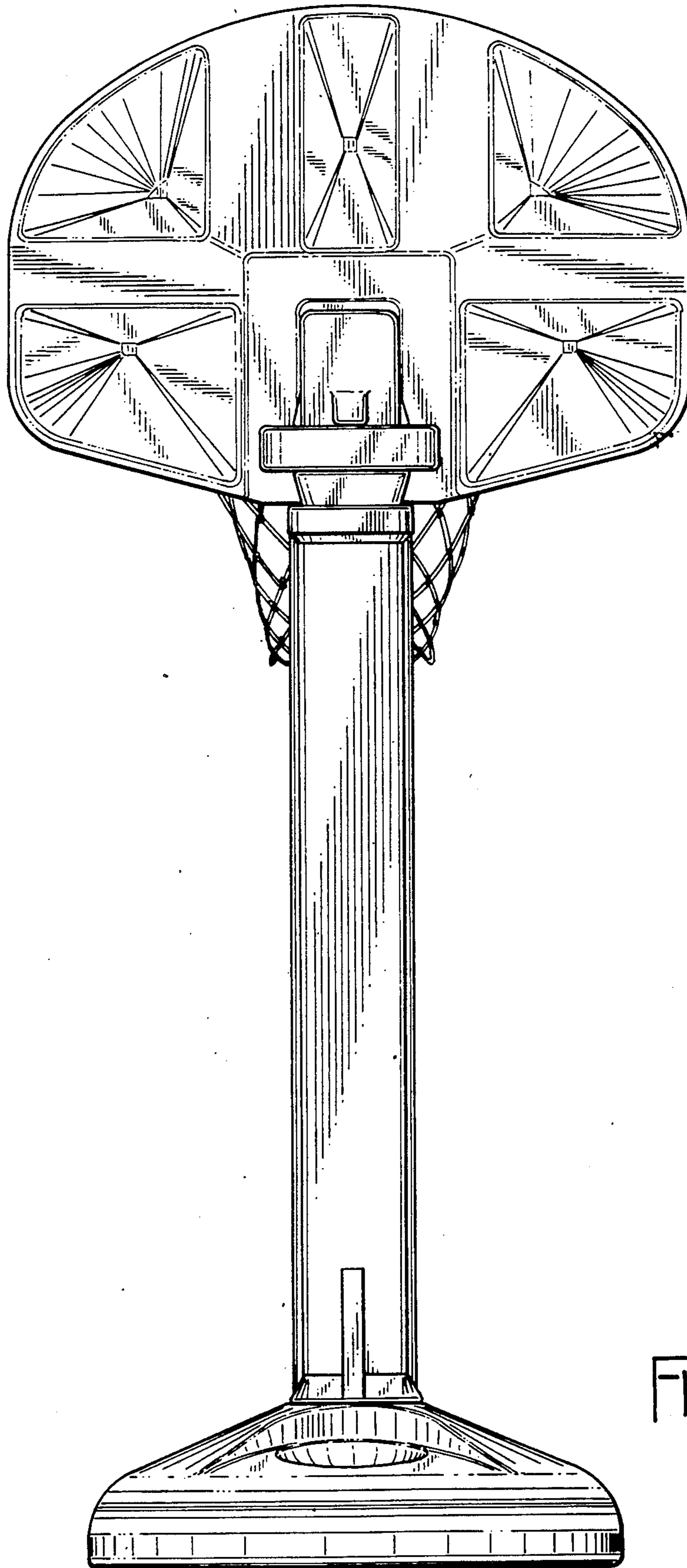
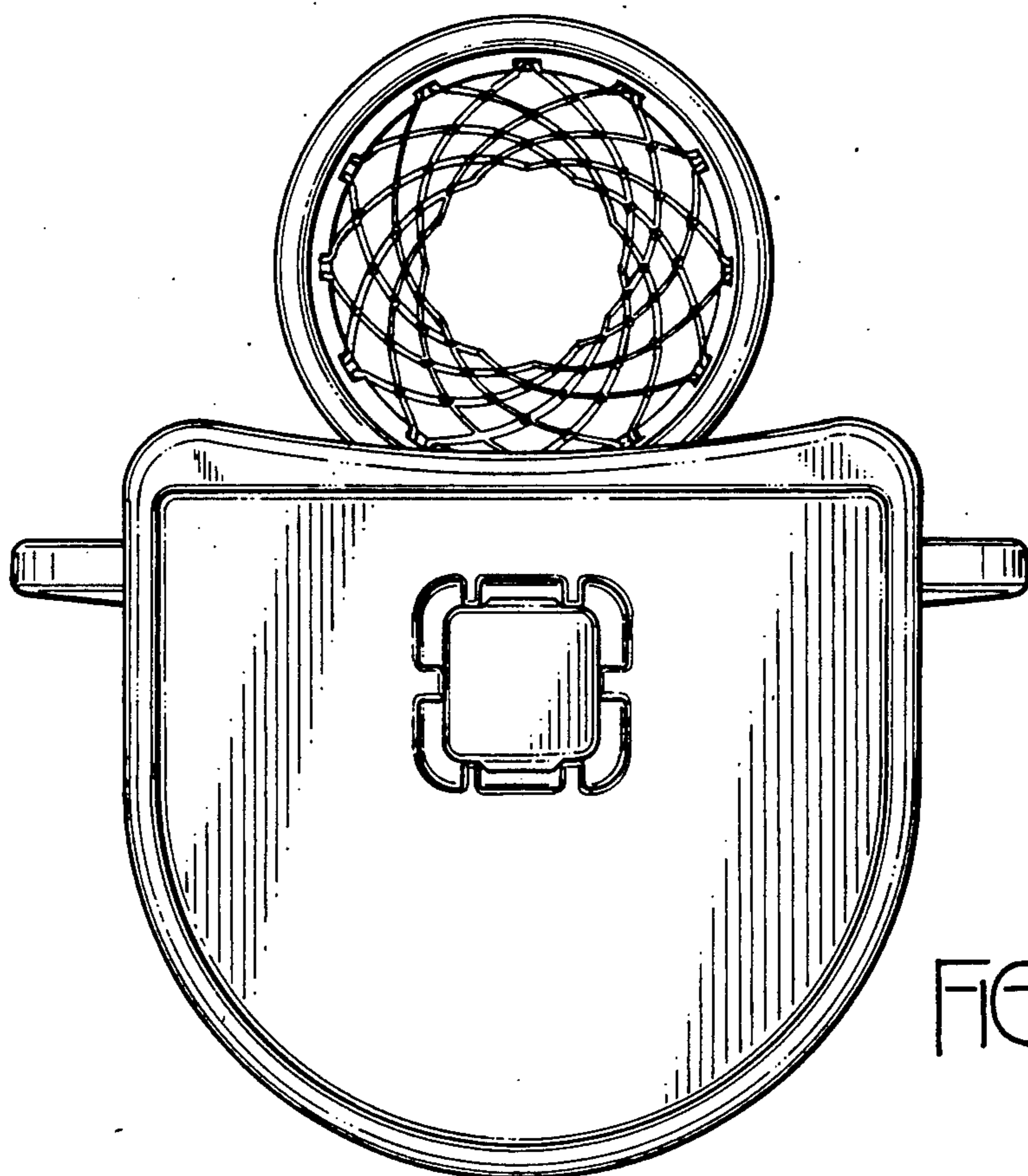
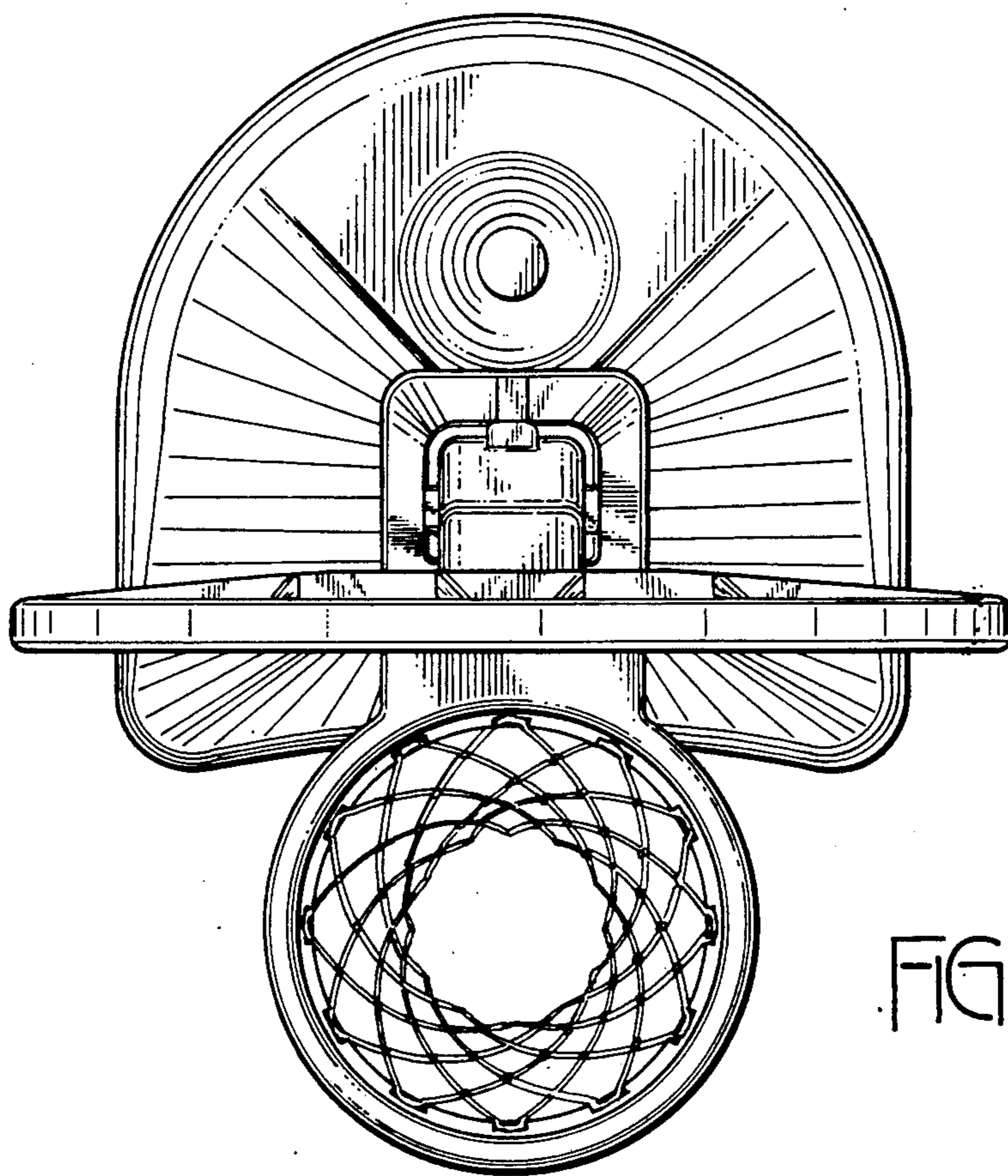


FIG. 3



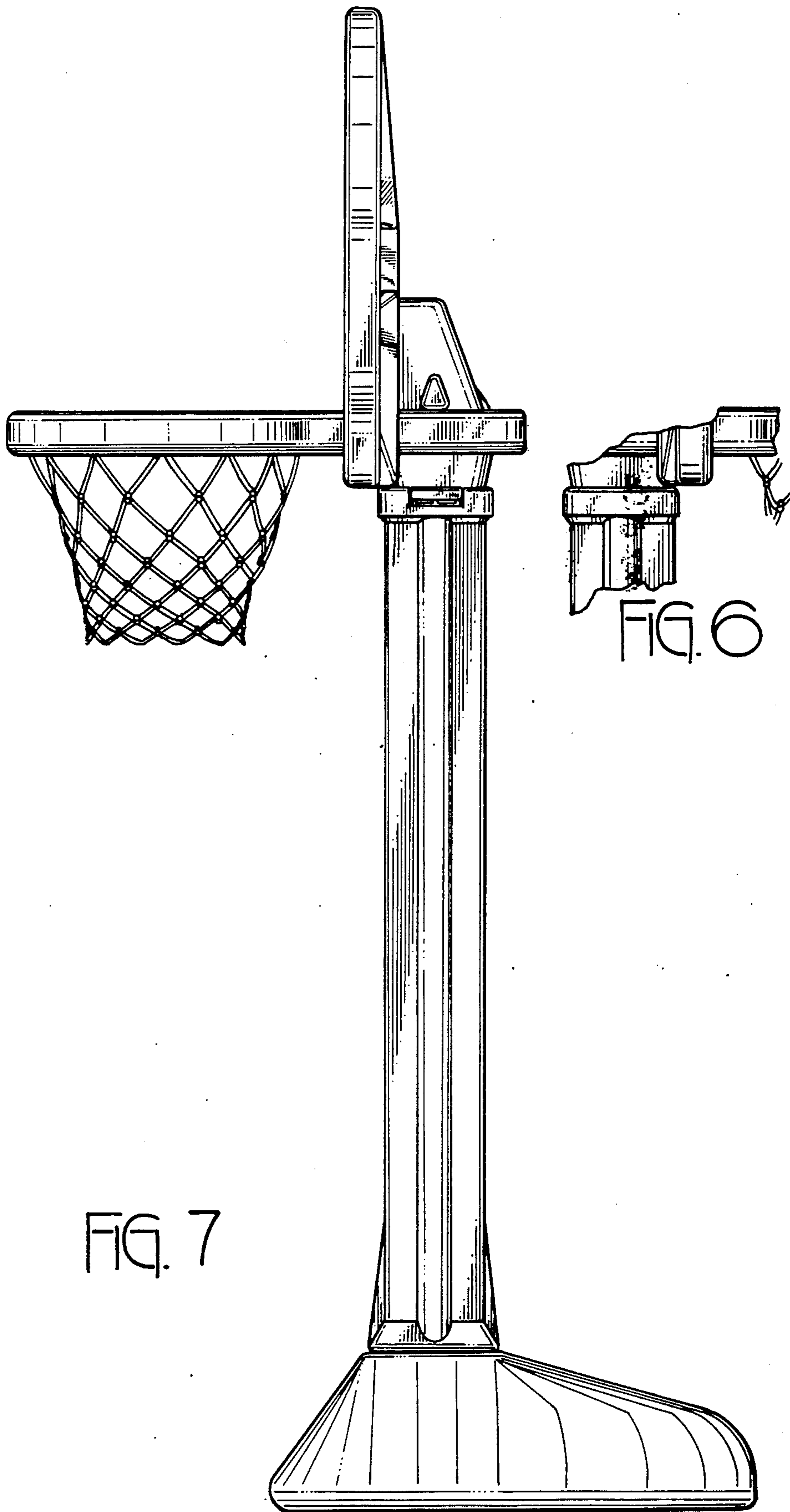


FIG. 7

FIG. 6