

[54] HOLDER FOR FLEXIBLE SHEET MATERIAL

1,417,009 5/1922 Woodward .
3,168,954 2/1965 VonHerdmann .
3,591,013 7/1971 VonHerdmann 211/50

[76] Inventor: David Levy, P.O. Box 542, Davis, Calif. 95616

FOREIGN PATENT DOCUMENTS

[**] Term: 14 Years

634777 2/1962 Italy .
338346 1/1930 United Kingdom D19/96

[21] Appl. No.: 106,443

Primary Examiner—Bruce W. Dunkins
Assistant Examiner—Martha Thompson
Attorney, Agent, or Firm—Heller, Ehrman, White & McAuliffe

[22] Filed: Oct. 7, 1987

[52] U.S. Cl. D19/90; D19/65; D19/86; D19/100

[58] Field of Search D19/51, 65, 75, 78, D19/83, 86, 85, 90, 91, 92, 95, 96, 99, 100; 206/215, 425, 449, 555; 211/50

[57] CLAIM

The ornamental design for a holder for flexible sheet material, as shown and described.

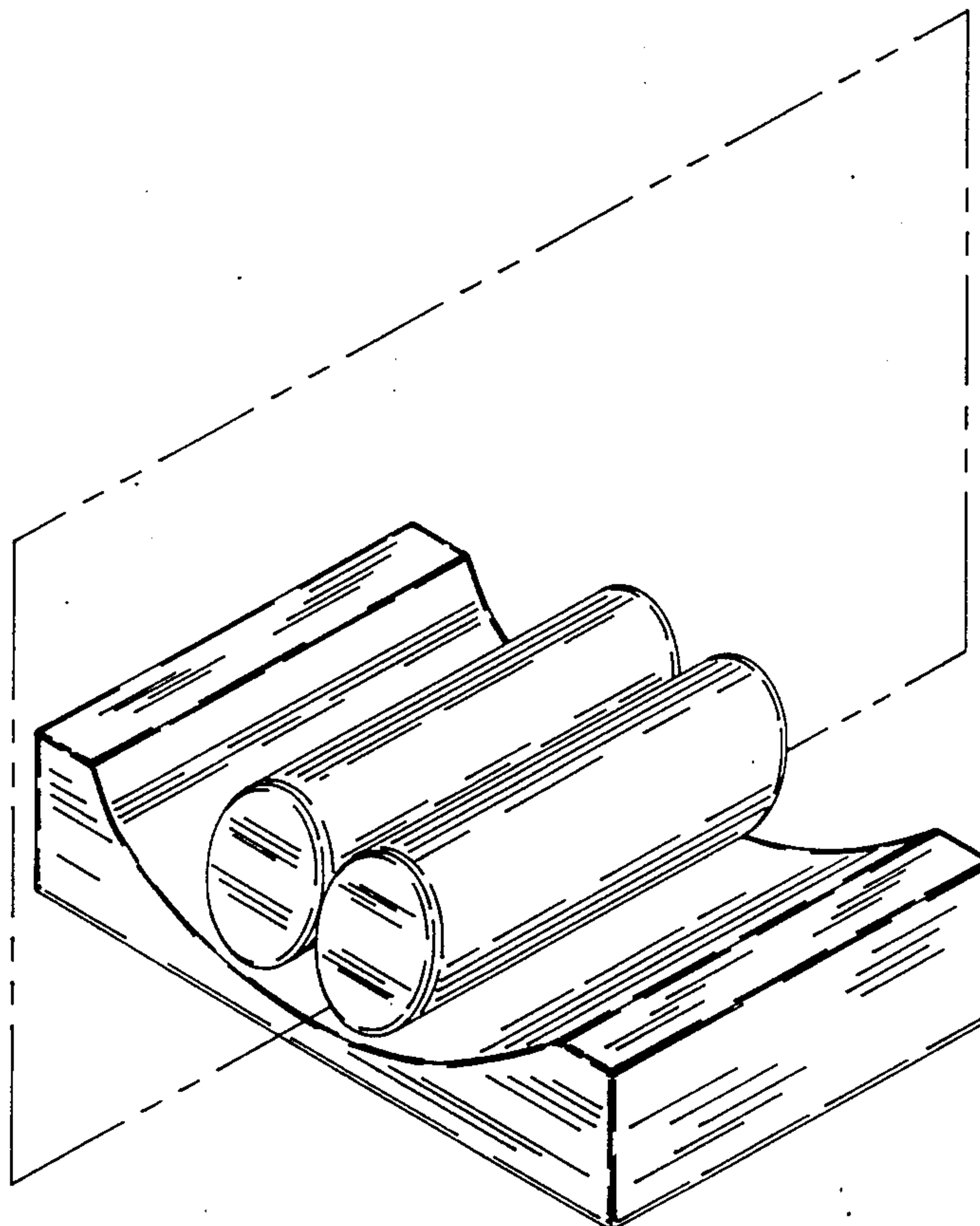
[56] References Cited

DESCRIPTION

U.S. PATENT DOCUMENTS

- 36,734 10/1862 Snow .
- D. 37,978 5/1906 Weeks D19/85
- D. 39,646 10/1908 Willson et al. D19/83 X
- D. 52,216 7/1918 Haupt D19/83 X
- D. 70,914 8/1926 Salz D19/85 X
- D. 157,914 3/1950 Shipman D19/88
- D. 171,761 3/1984 Henning et al. D19/51 X
- D. 185,169 5/1959 Parker D19/85 X
- D. 230,637 3/1974 Clement D19/69
- D. 244,248 5/1977 Anzures D7/641
- 648,603 5/1900 Whitehead .

FIG. 1 is a top perspective view of a holder for flexible sheet material showing my new design;
FIG. 2 is a top plan view on an enlarged scale;
FIG. 3 is a side elevational view of FIG. 2, the opposite side being a mirror image thereof;
FIG. 4 is an end elevational view of FIG. 2, the opposite end being a mirror image thereof;
FIG. 5 is a bottom plan view of FIG. 2; and
FIG. 6 is a top perspective view of FIG. 1, the paper sheet depicted by means of broken lines being shown for illustrative purposes only and forming no part of the claimed design.



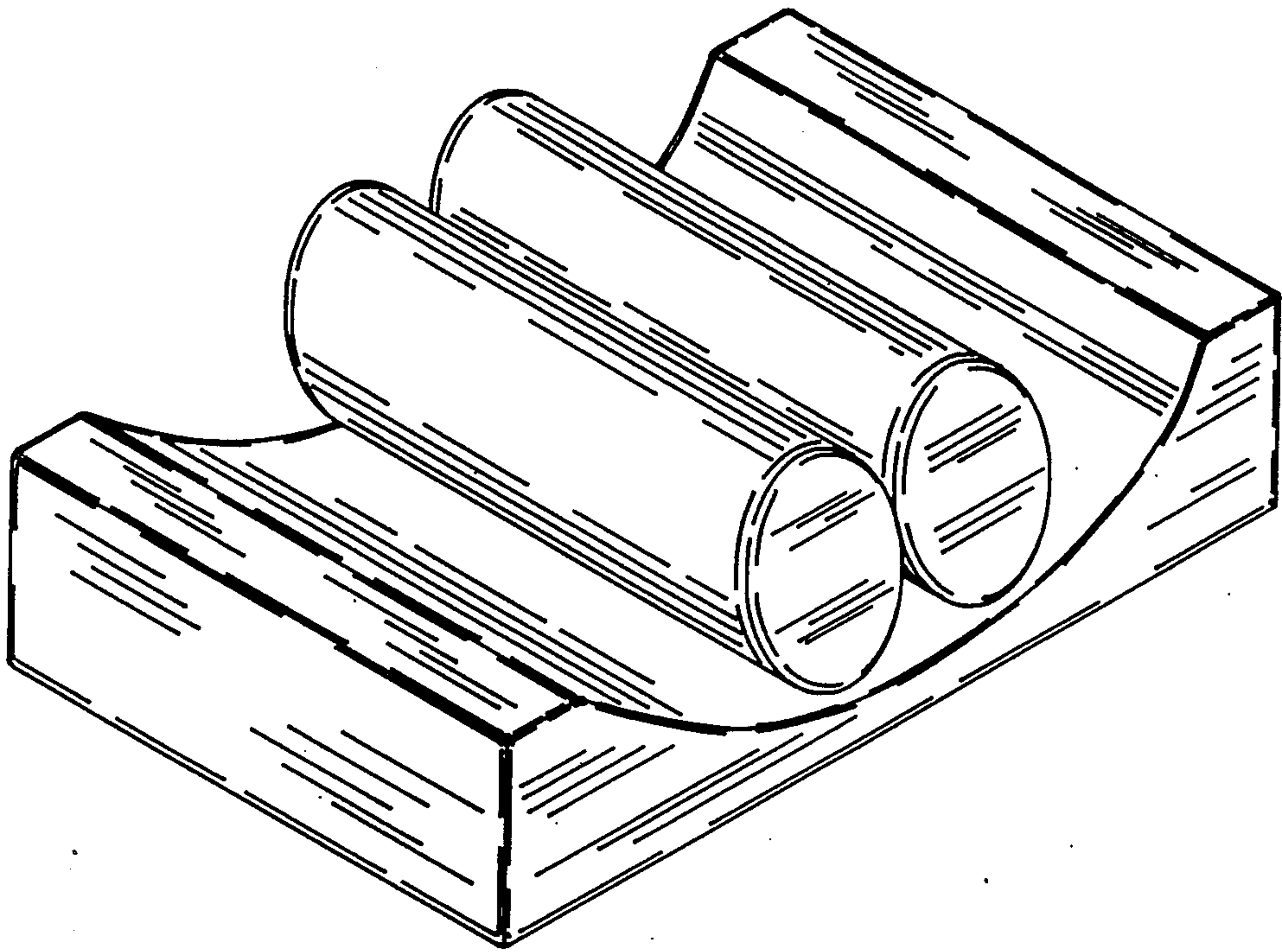


FIG. -1

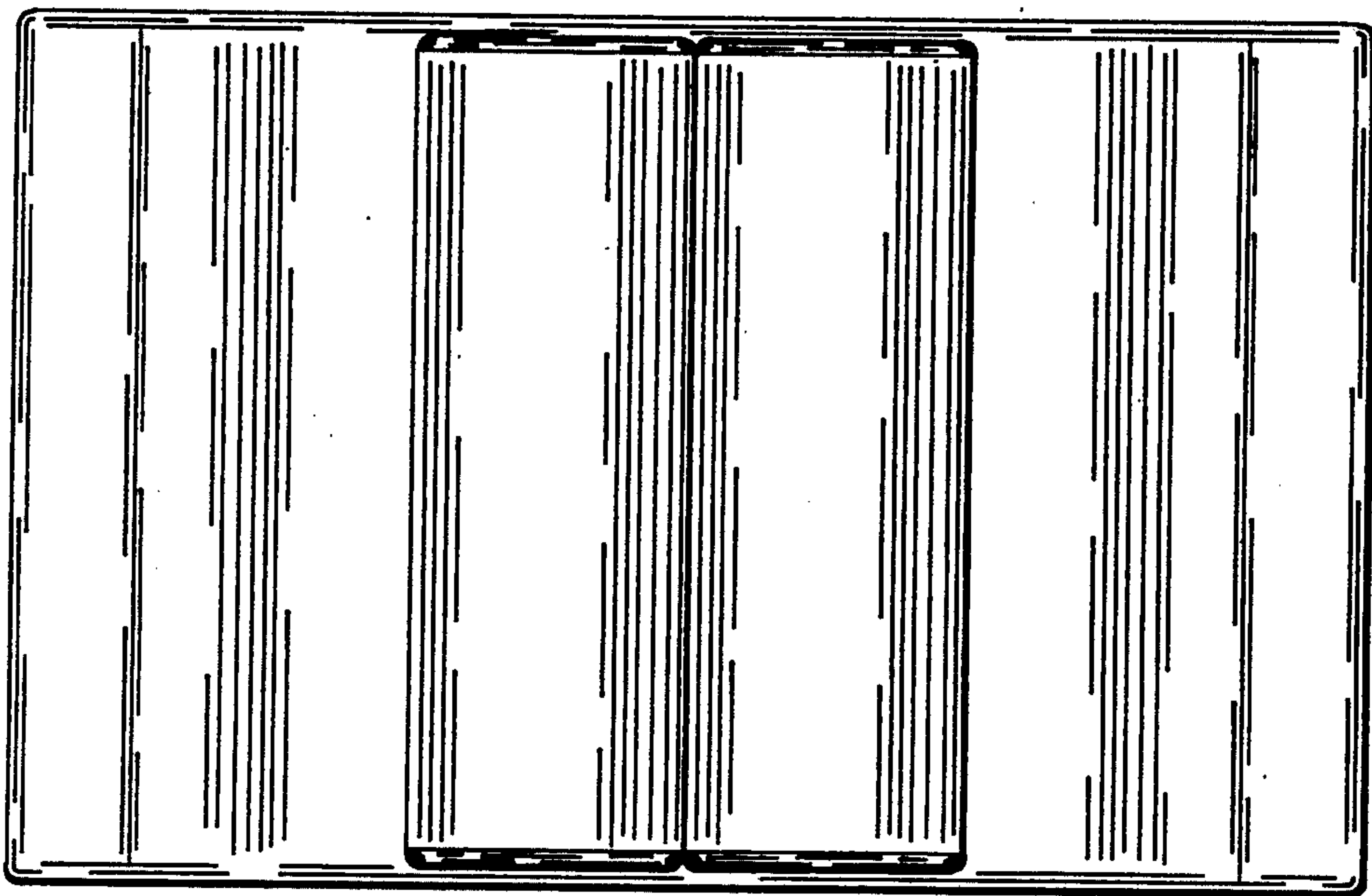


FIG. -2

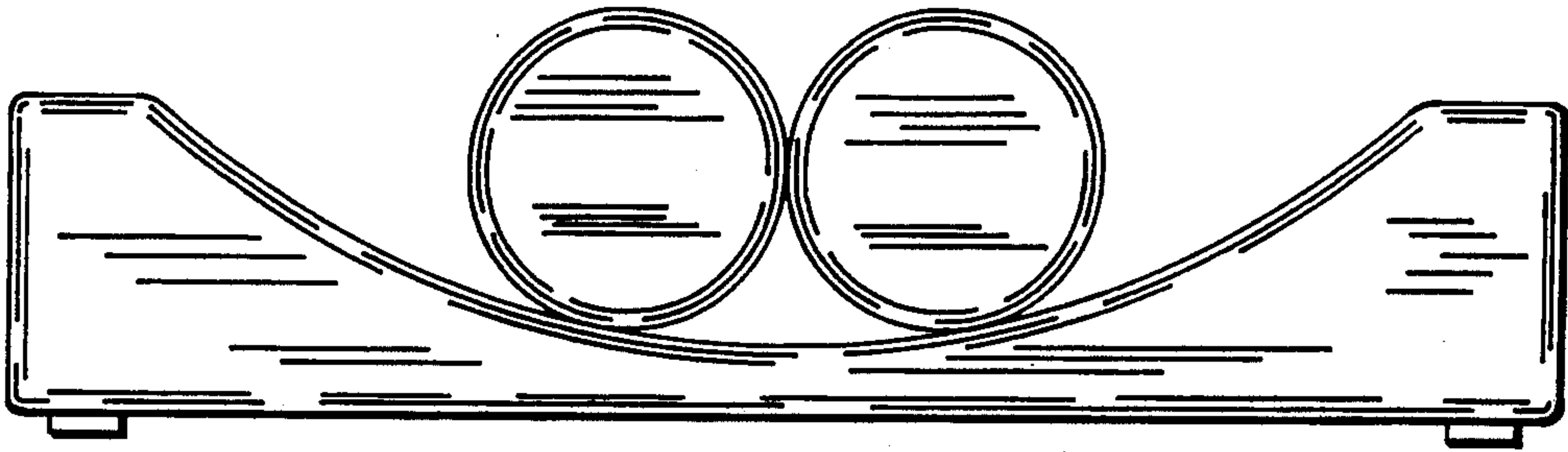


FIG. -3

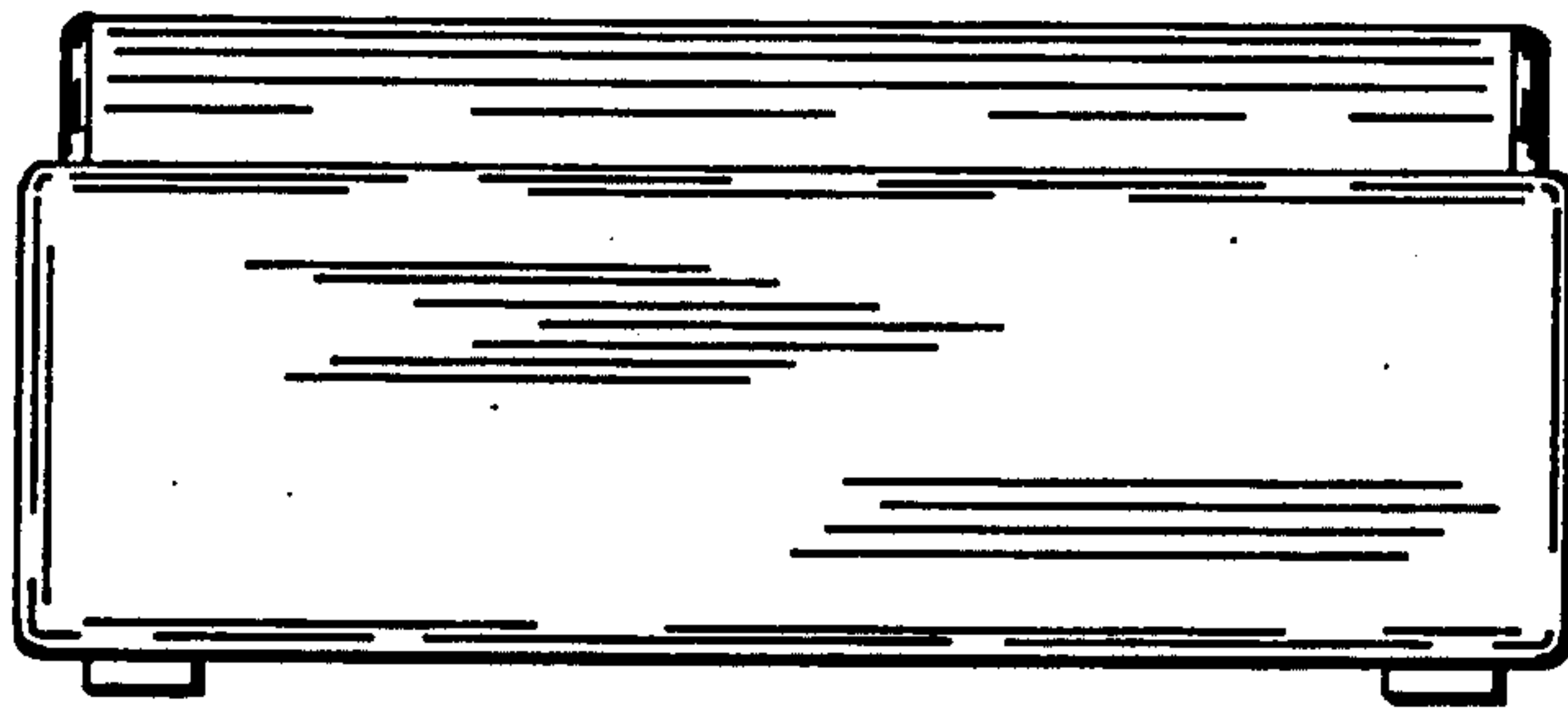


FIG. -4

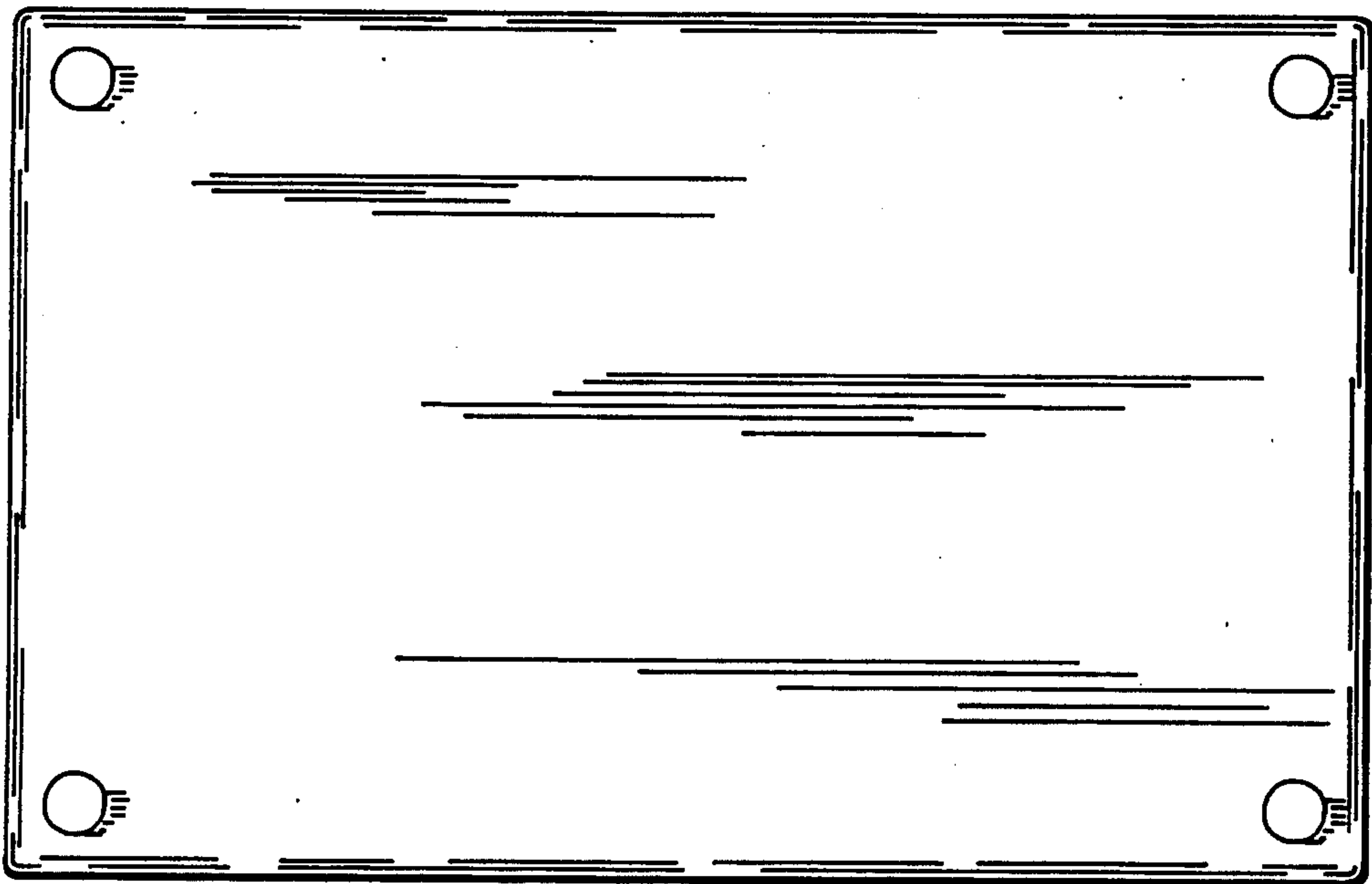


FIG. -5

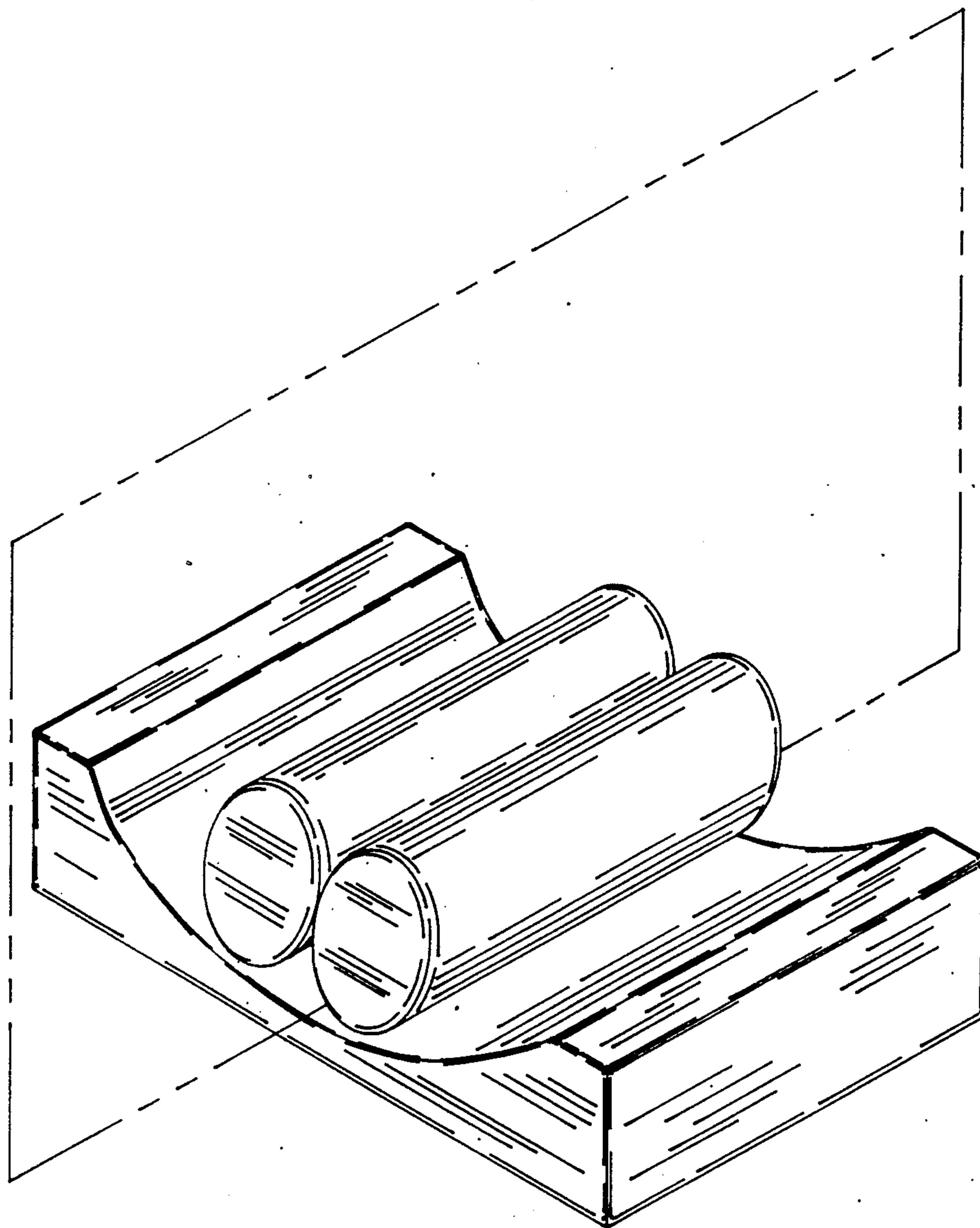


FIG.-6