

[54] TIRE SPREADER

[75] Inventors: Ronald E. Haugen; David T. Murphy, both of Forest City, Iowa

[73] Assignee: Vix Design Products, Inc., Forest City, Iowa

[\*\*] Term: 14 Years

[21] Appl. No.: 342,446

[22] Filed: Apr. 24, 1989

[52] U.S. Cl. .... D15/199

[58] Field of Search ..... D15/199; 254/45, 49, 254/50, 50.1, 50.2, 50.3, 50.4, DIG. 10

[56] References Cited

U.S. PATENT DOCUMENTS

1,639,506	8/1927	Hughes	254/50.1
1,760,719	5/1930	Rekenthaler	254/50.2
2,073,510	3/1937	Bishman	.
2,223,915	12/1940	Lambert	.
2,310,891	2/1943	Branick	.
2,497,813	2/1950	Darr	.
2,732,174	1/1956	Kossman	.
2,821,361	1/1958	Marks	.

2,855,180 10/1958 Douglass .  
3,880,220 4/1975 Bunts .

FOREIGN PATENT DOCUMENTS

865063 4/1940 France ..... 254/50.1

OTHER PUBLICATIONS

Tire Spreaders publication, p. 112.

Primary Examiner—Bruce W. Dunkins

Assistant Examiner—Antoine D. Davis

Attorney, Agent, or Firm—Burd, Bartz & Gutenkauf

[57] CLAIM

The ornamental design for a tire spreader, as shown and described.

DESCRIPTION

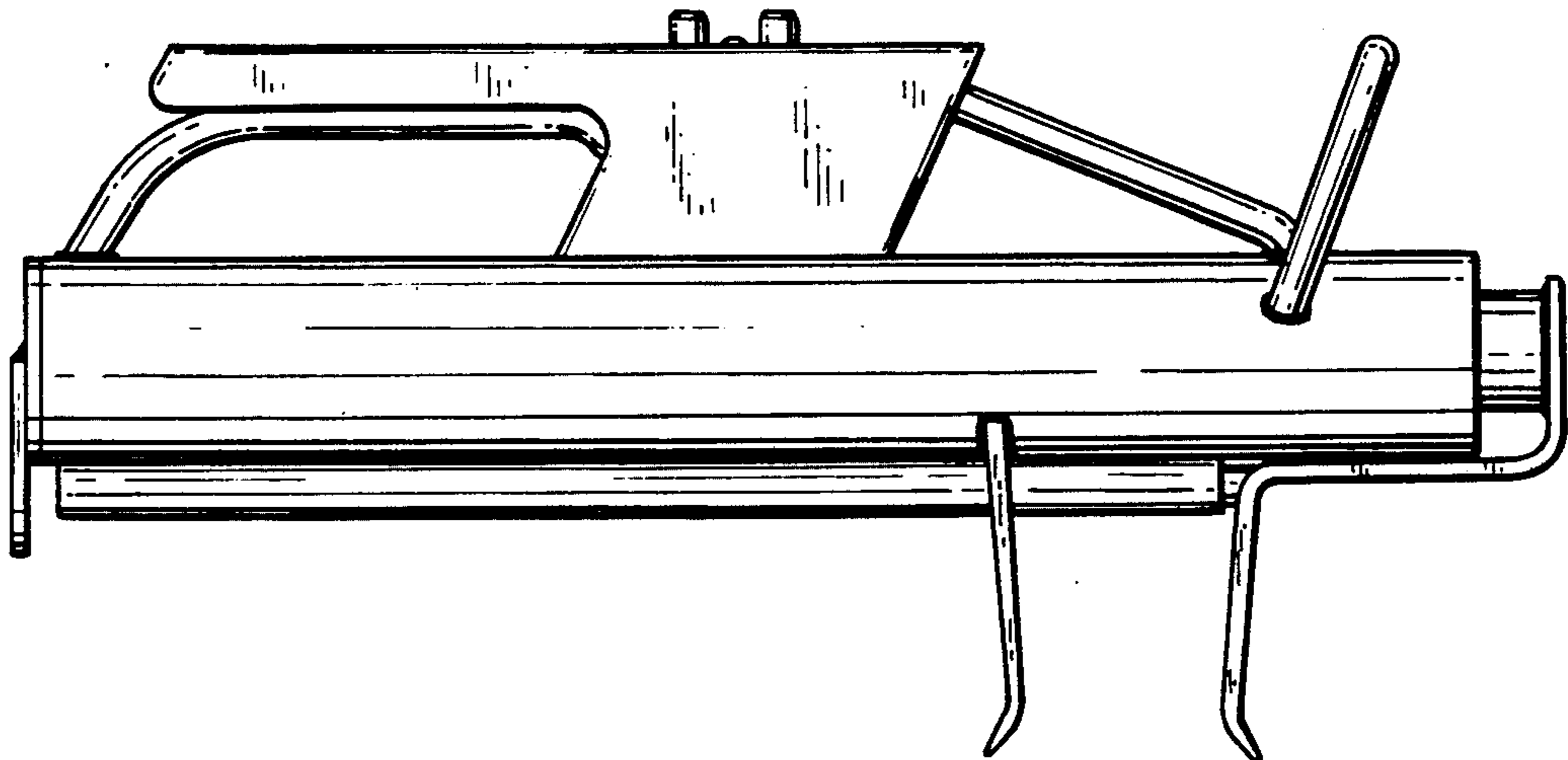
FIG. 1 is a top plan view of a tire spreader showing our new design;

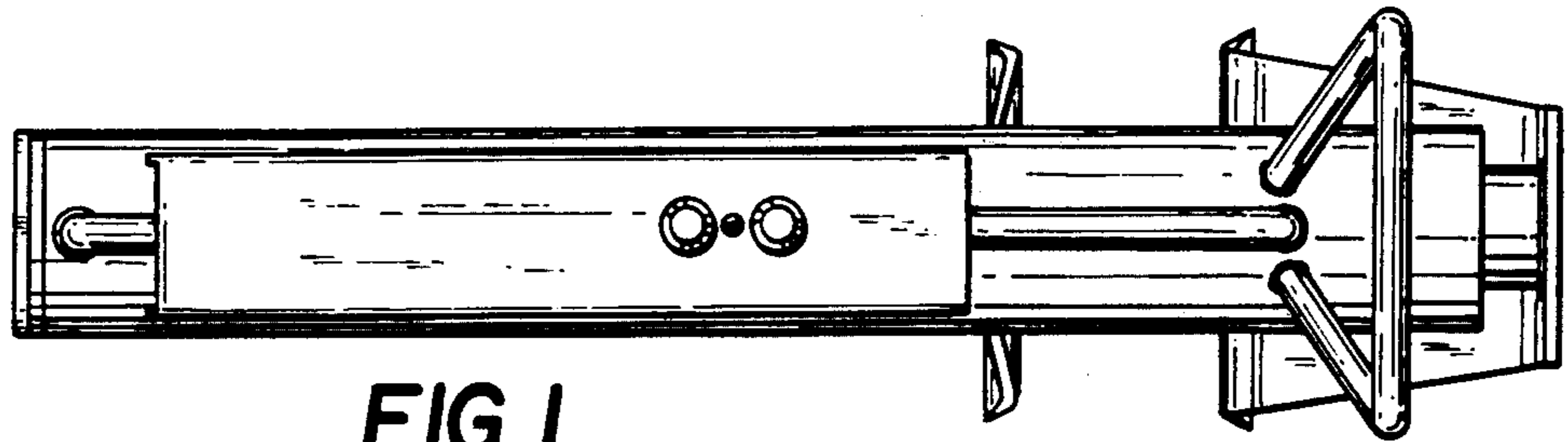
FIG. 2 is a left side elevational view, the right side elevational view being a mirror image thereto;

FIG. 3 is a bottom plan view;

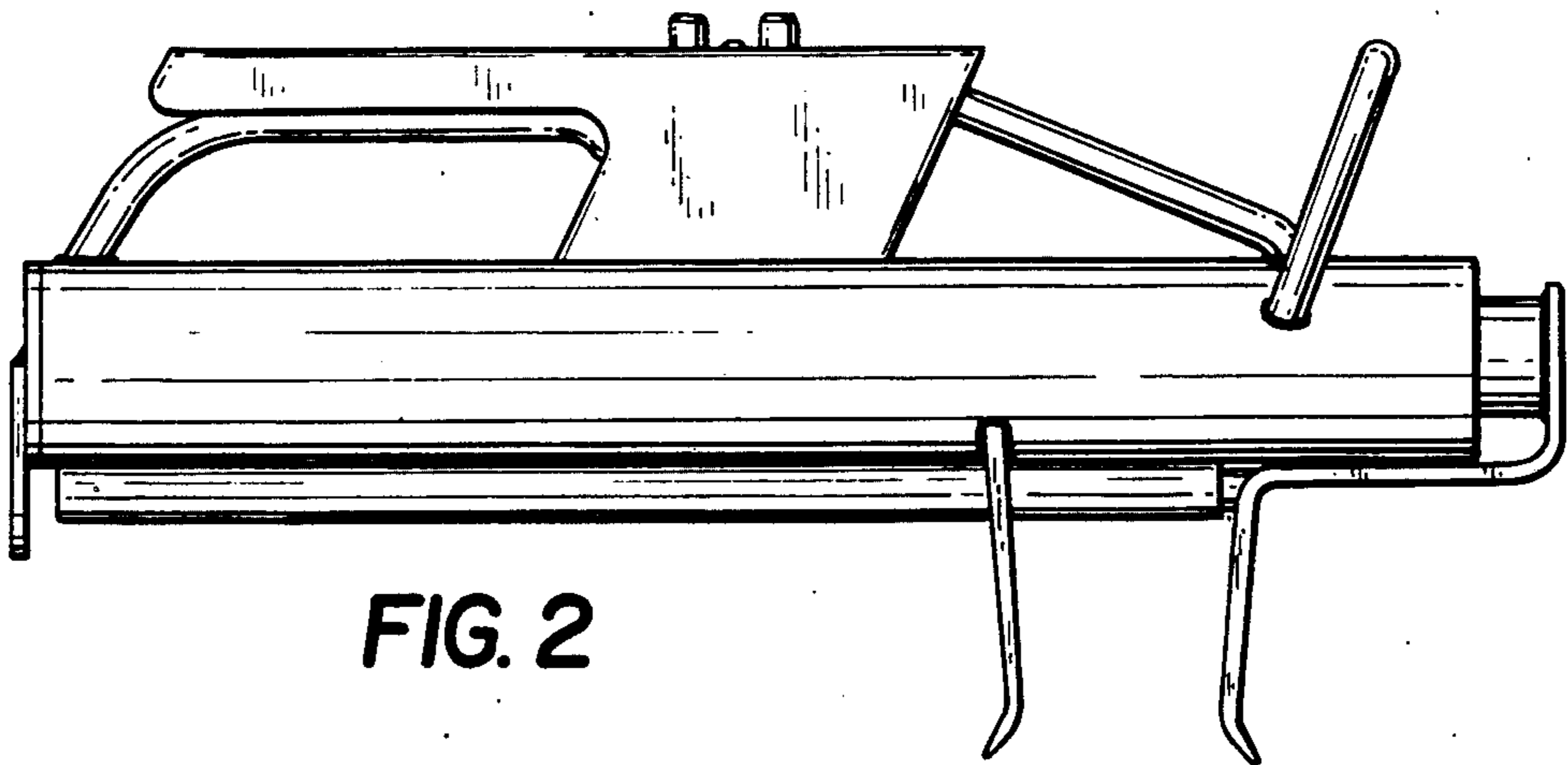
FIG. 4 is a front elevational view; and

FIG. 5 is a rear elevational view thereof.

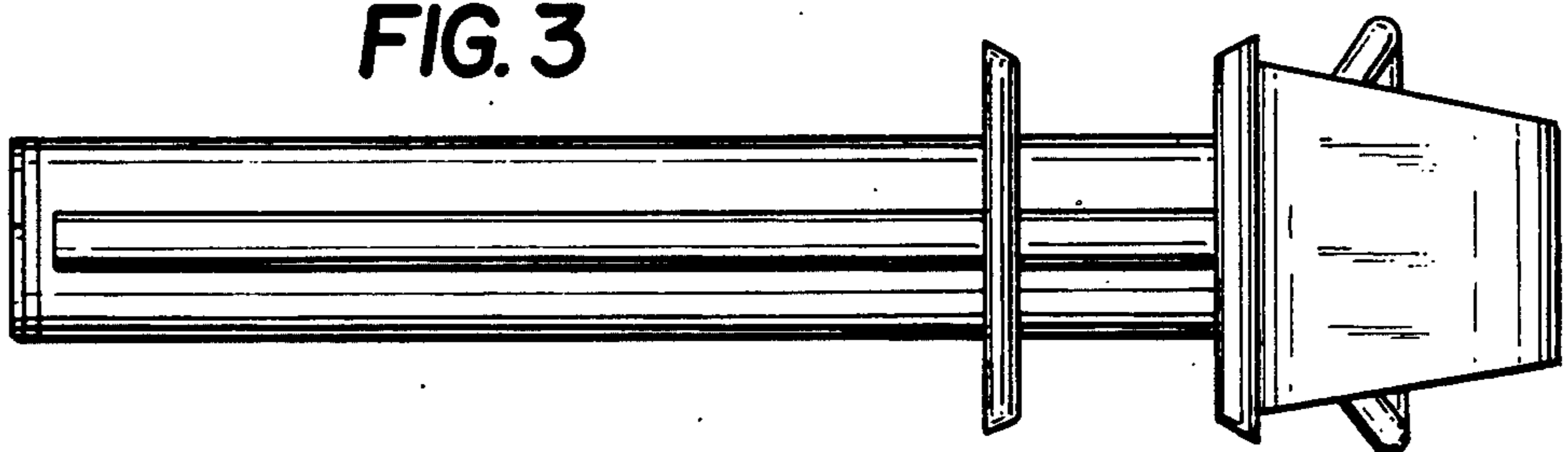




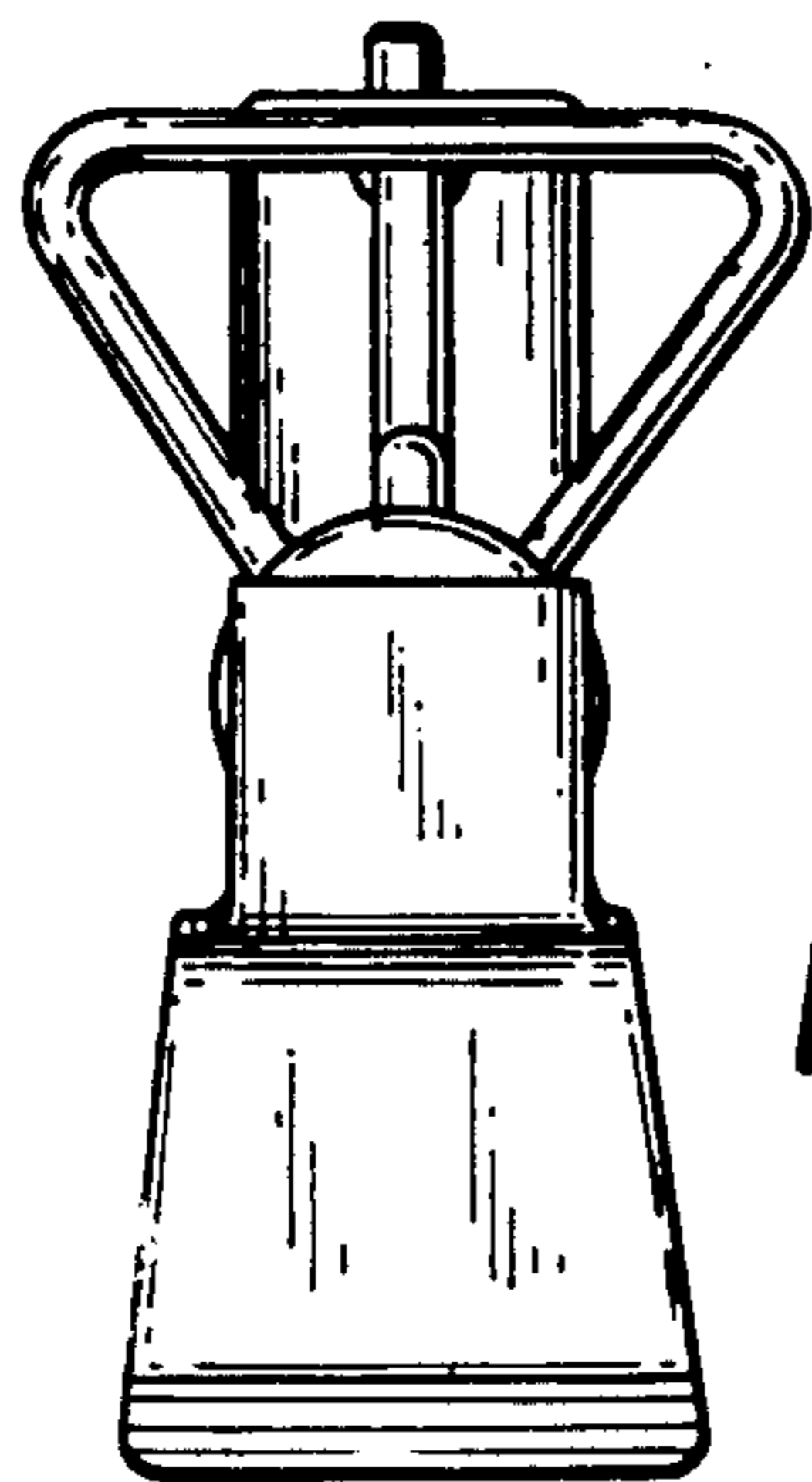
**FIG. 1**



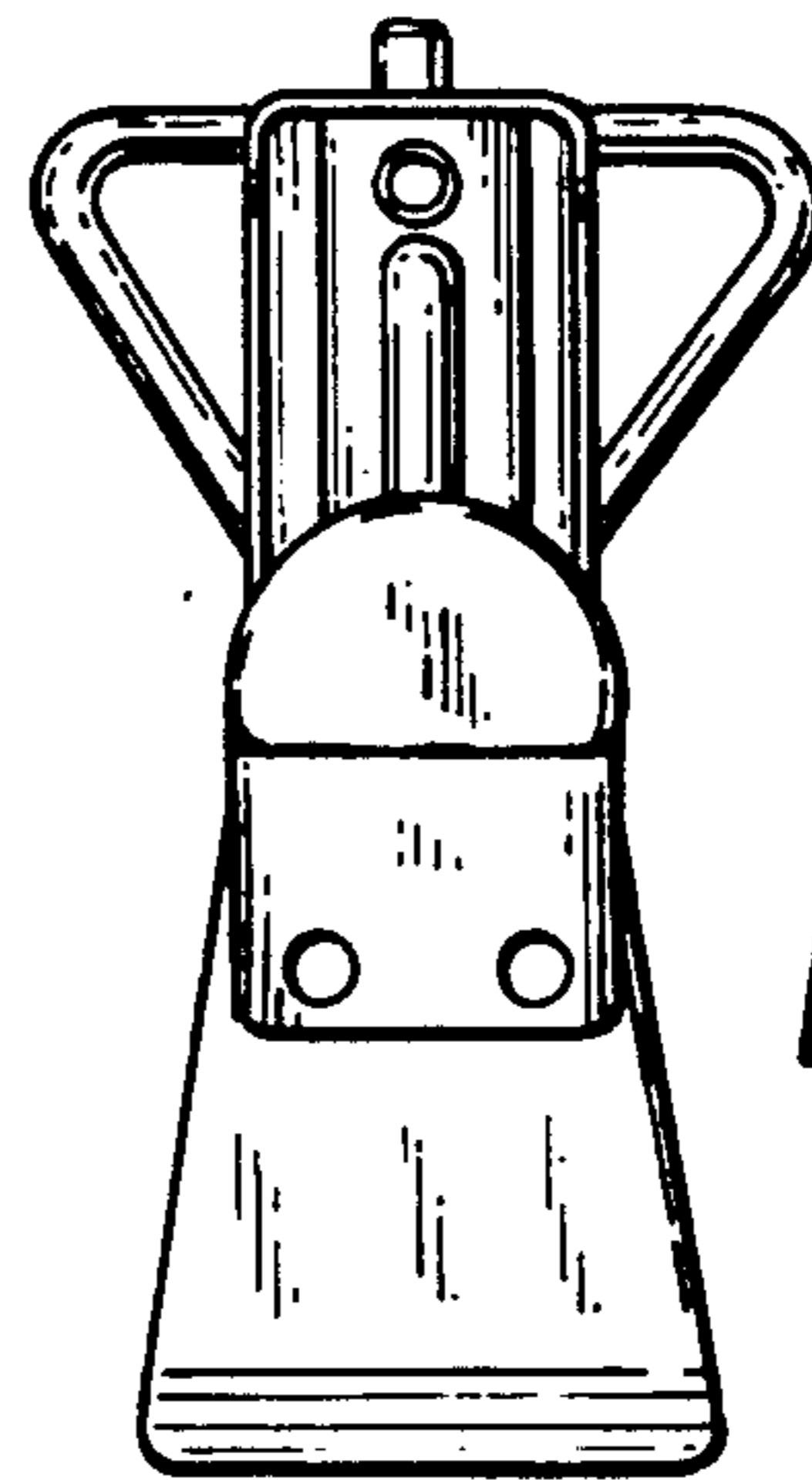
**FIG. 2**



**FIG. 3**



**FIG. 4**



**FIG. 5**