

[54] LASER PRINTER

[75] Inventor: Akio Takahashi, Tokyo, Japan

[73] Assignee: Asahi Kogaku Kogyo K.K., Tokyo, Japan

[**] Term: 14 Years

[21] Appl. No.: 263,488

[22] Filed: Oct. 27, 1988

[30] Foreign Application Priority Data

May 25, 1988 [JP] Japan 63-20600

[52] U.S. Cl. D18/13

[58] Field of Search D18/13, 36, 37; D14/100, 107, 108; 101/130, 420; 364/708; 400/126, 613, 691-694, 613.1-613.4

[56] References Cited

U.S. PATENT DOCUMENTS

D. 291,094 7/1987 Nakade D18/13

D. 291,096 7/1987 Yomo D18/13
D. 295,853 5/1988 Ooie D14/111
D. 299,831 2/1989 Hirata D18/37
D. 308,221 5/1990 Kojima D18/13

Primary Examiner—A. Hugo Word
Assistant Examiner—Cathy Anne MacCormac
Attorney, Agent, or Firm—Sughrue, Mion, Zinn, Macpeak & Seas

[57] CLAIM

The ornamental design for a laser printer, as shown.

DESCRIPTION

FIG. 1 is a front, top and right side perspective view of a laser printer showing my new design; FIG. 2 is a front elevational view thereof; FIG. 3 is a top plan view thereof; FIG. 4 is a rear elevational view thereof; FIG. 5 is a bottom plan view thereof; FIG. 6 is a left side elevational view thereof; and FIG. 7 is a right side elevational view thereof.

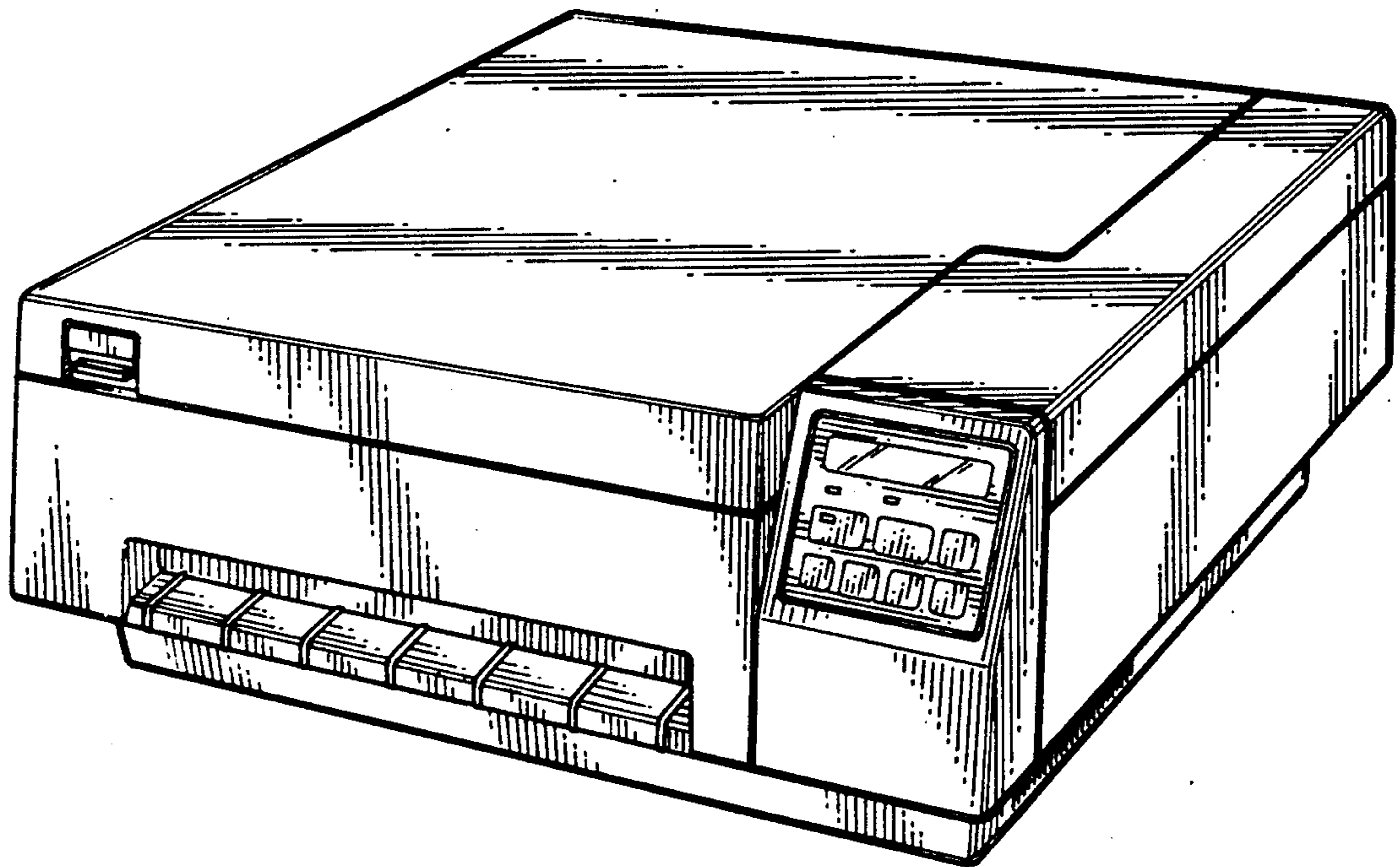


Fig. 1

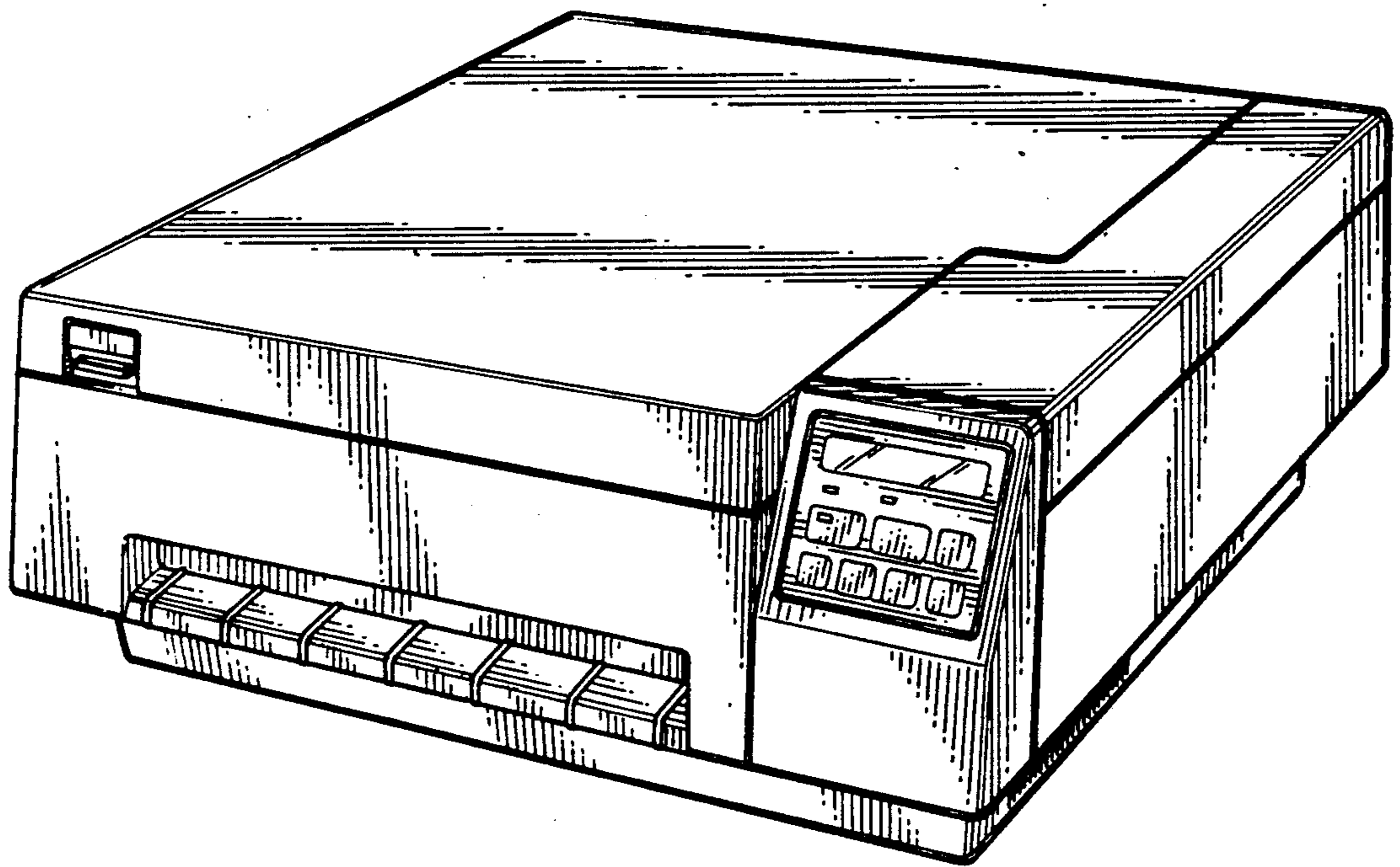


Fig. 2

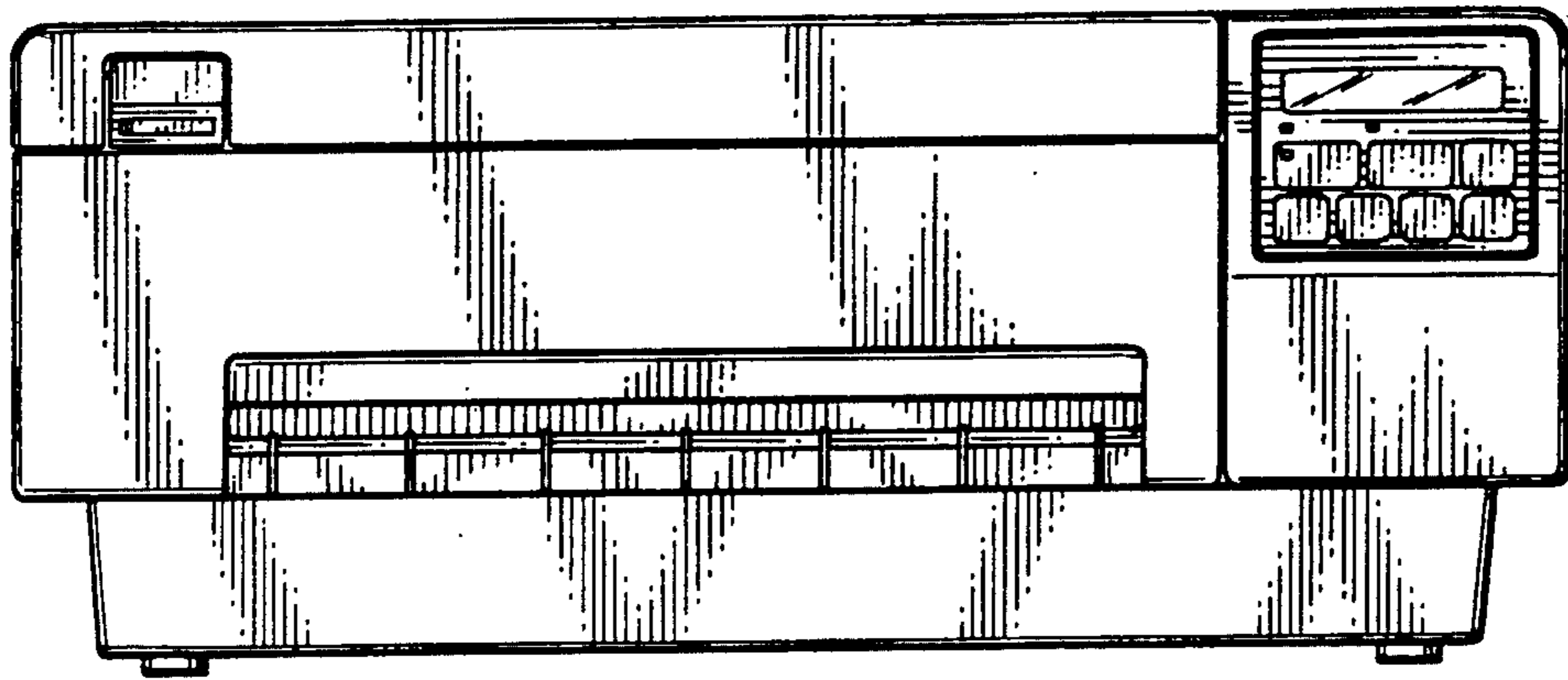


Fig. 3

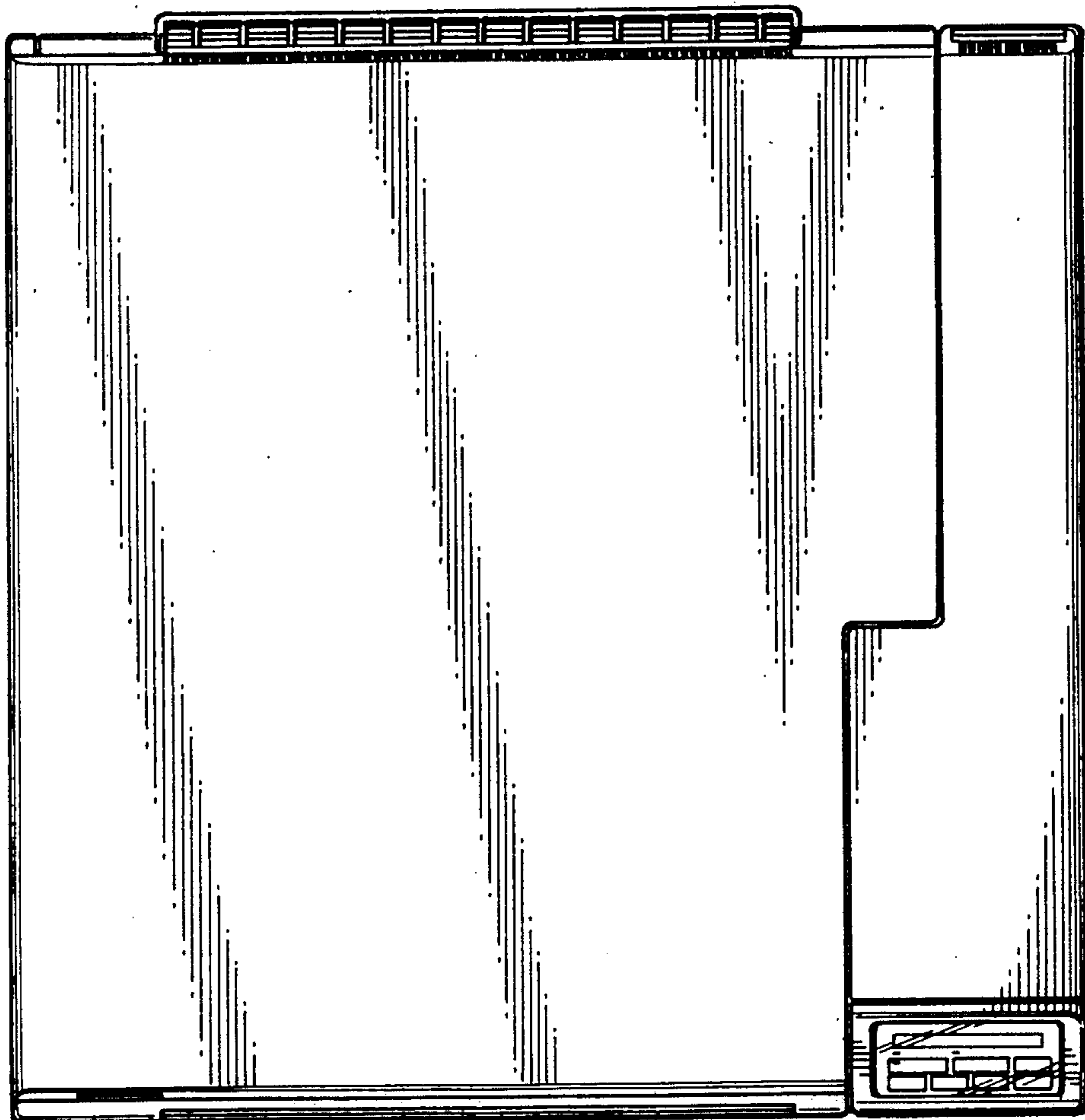


Fig. 4

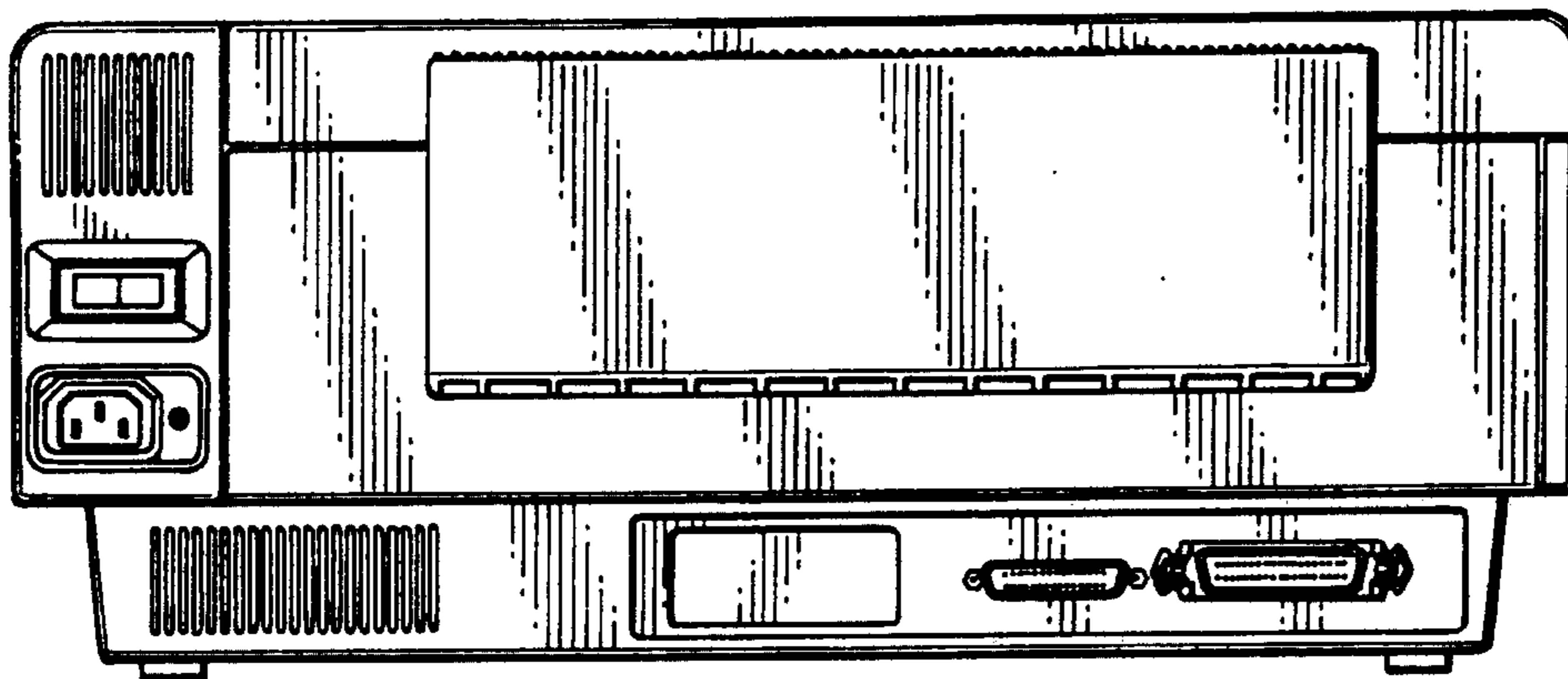


Fig. 5

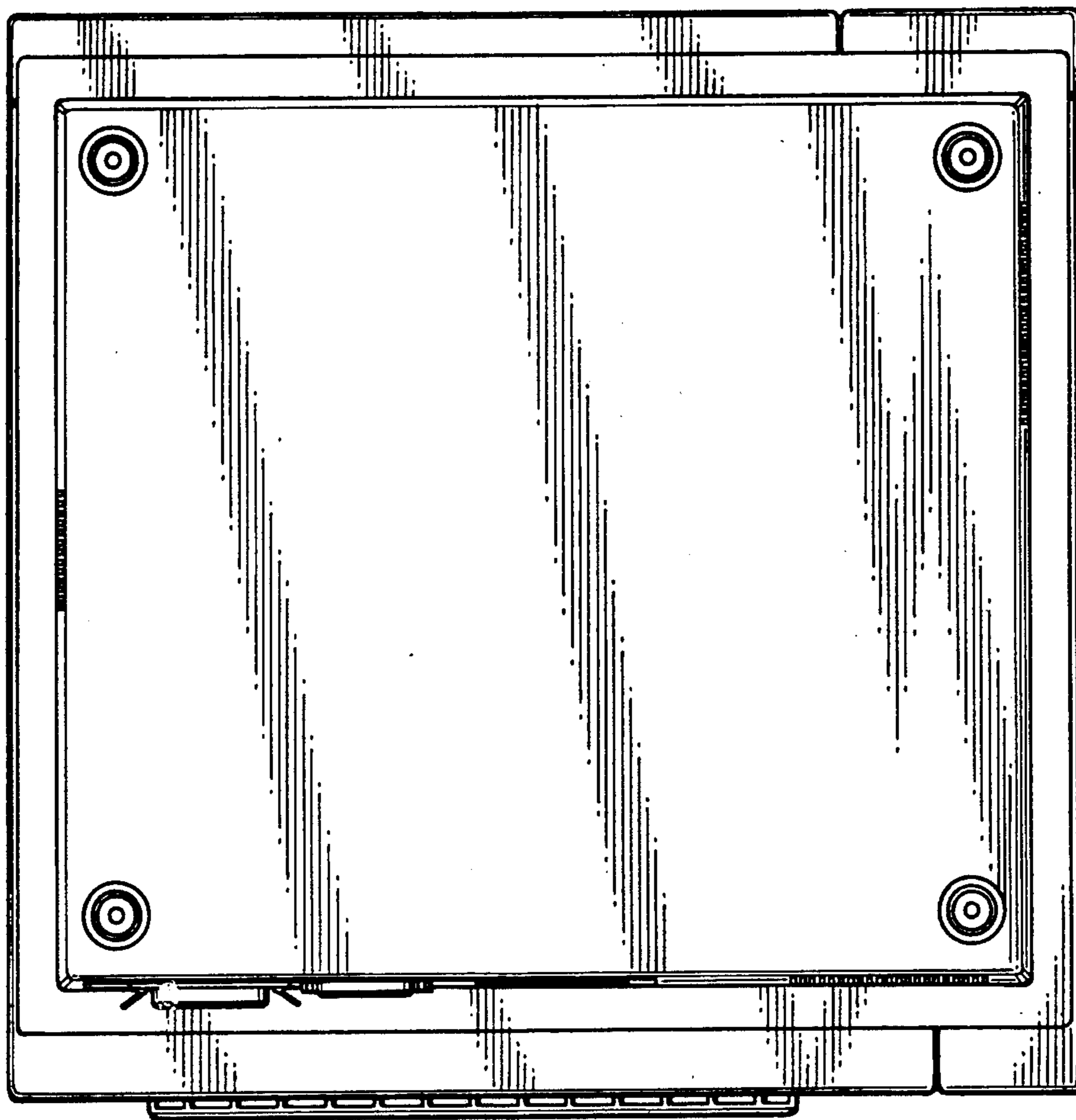


Fig. 6

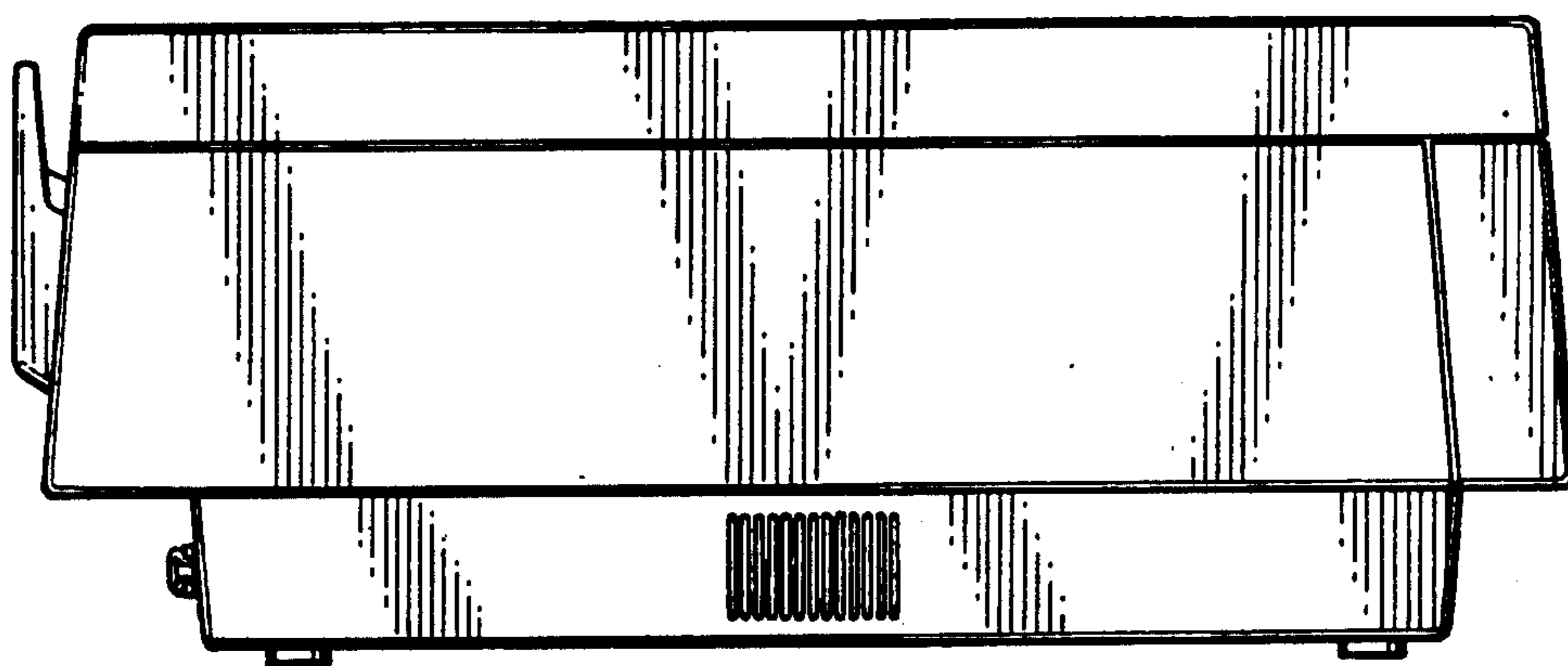


Fig. 7

