

[54] CAMERA

4,299,465 11/1981 Chan 354/288

[75] Inventor: Yet Chan, Kowloon, Hong Kong

[73] Assignee: Achiever Industries Ltd., Kowloon, Hong Kong

[**] Term: 14 Years

[21] Appl. No.: 293,485

[22] Filed: Jan. 4, 1989

[30] Foreign Application Priority Data

Aug. 10, 1988 [GB] United Kingdom 1052859

[52] U.S. Cl. D16/209; D16/218

[58] Field of Search D16/200-213, D16/216-218; 354/149.11, 126, 187, 202, 288

[56] References Cited

U.S. PATENT DOCUMENTS

- | | | | | |
|------------|--------|-----------------|-------|---------|
| D. 257,982 | 1/1981 | Maitani | | D16/212 |
| D. 257,983 | 1/1981 | Maitani | | D16/209 |
| D. 305,666 | 1/1990 | Leonard | | D16/209 |
| D. 306,306 | 2/1990 | Robinson et al. | | D16/200 |

OTHER PUBLICATIONS

Modern Photography, 5/85, p. 42 (Olympus XA3 Camera).

Primary Examiner—Bernard Ansher

Assistant Examiner—Adir Aronovich

Attorney, Agent, or Firm—Burns, Doane, Swecker & Mathis

[57] CLAIM

The ornamental design for a camera, as shown and described.

DESCRIPTION

FIG. 1 is a front elevational view of a camera showing my new design;

FIG. 2 is a rear elevational view thereof;

FIG. 3 is a left side elevational view thereof;

FIG. 4 is a right side elevation view thereof;

FIG. 5 is a top plan view thereof;

FIG. 6 is a bottom plan view thereof; and

FIG. 7 is a top, front perspective view thereof.

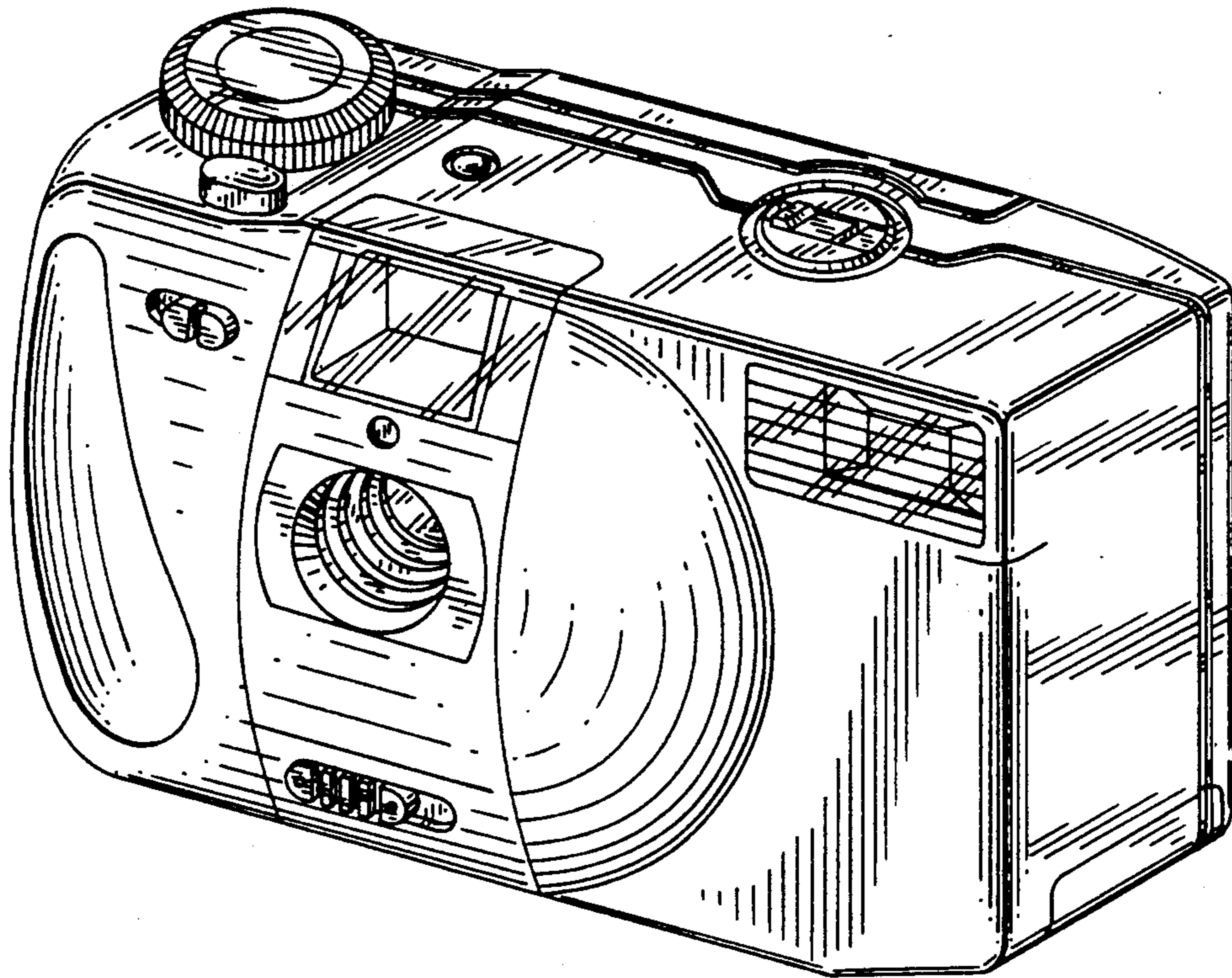


FIG. 1

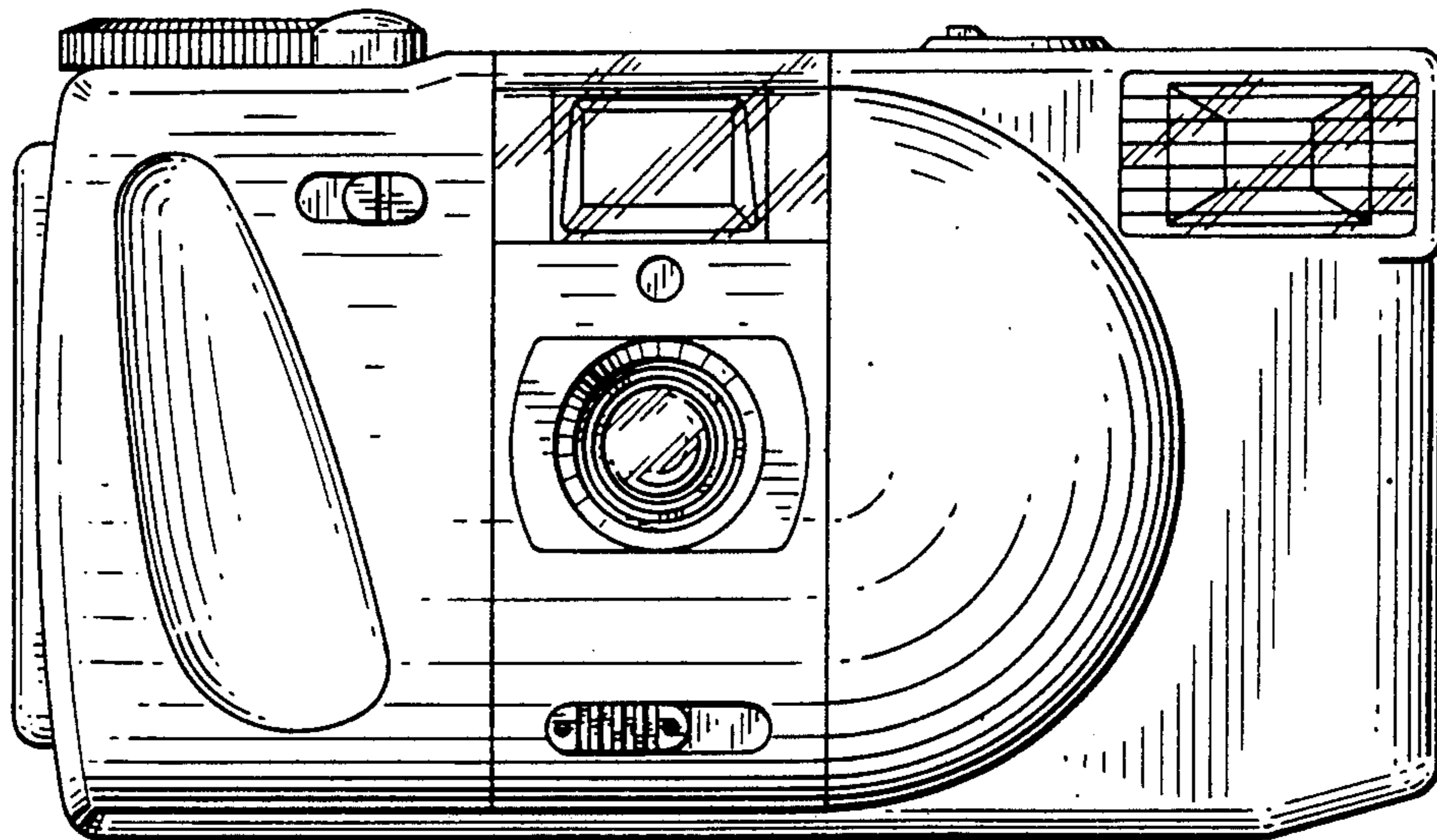


FIG. 2

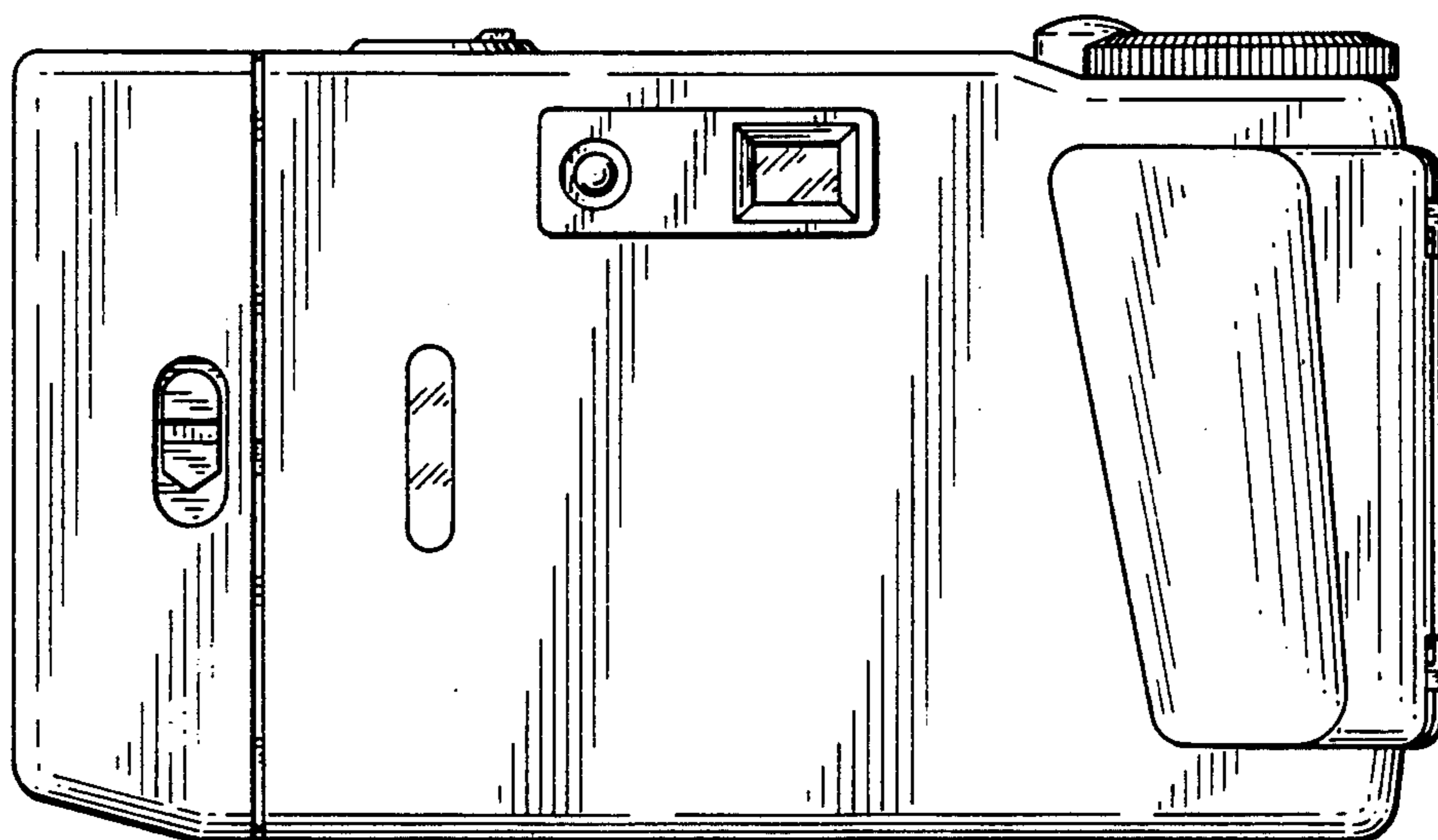


FIG. 3

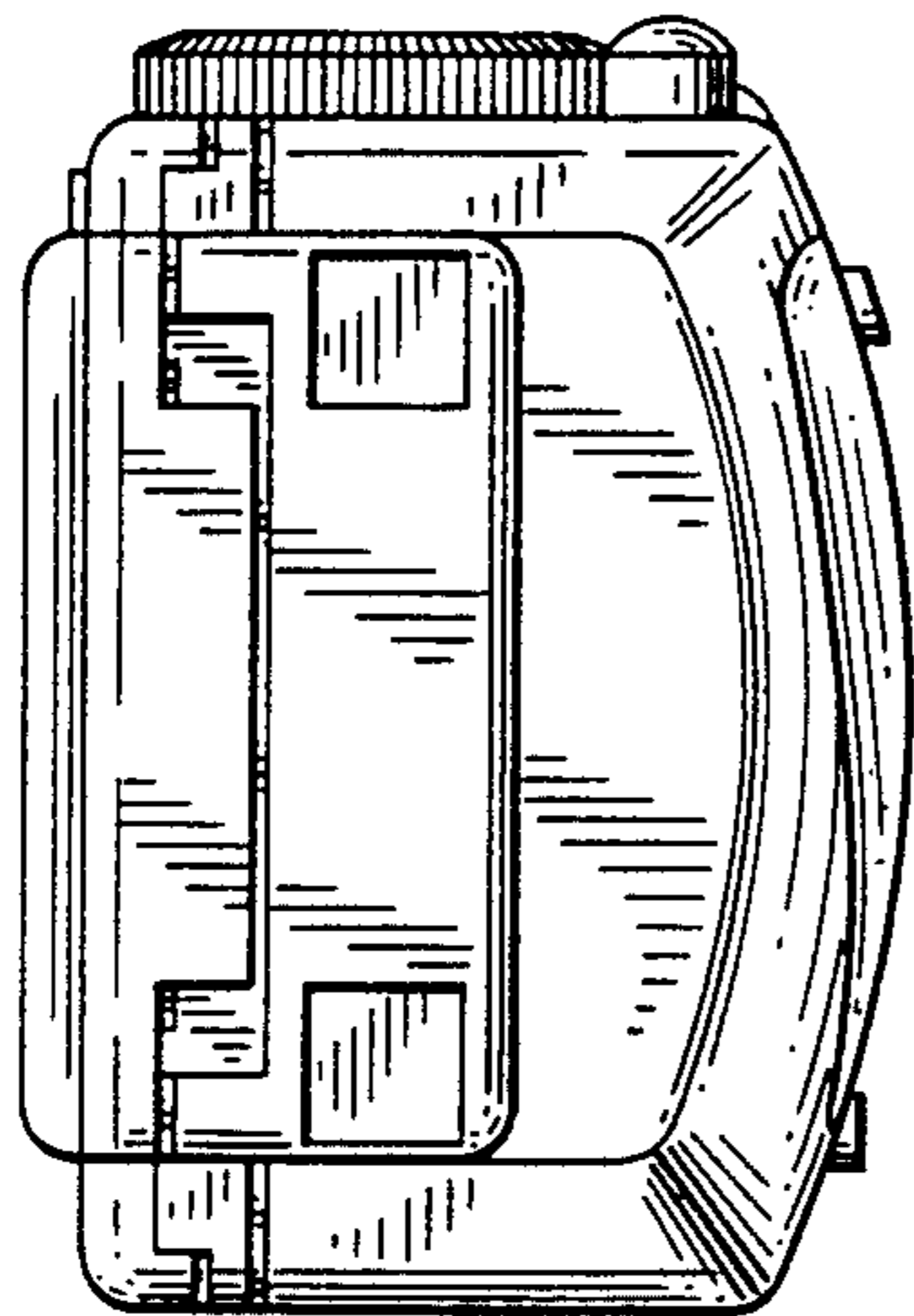


FIG. 4

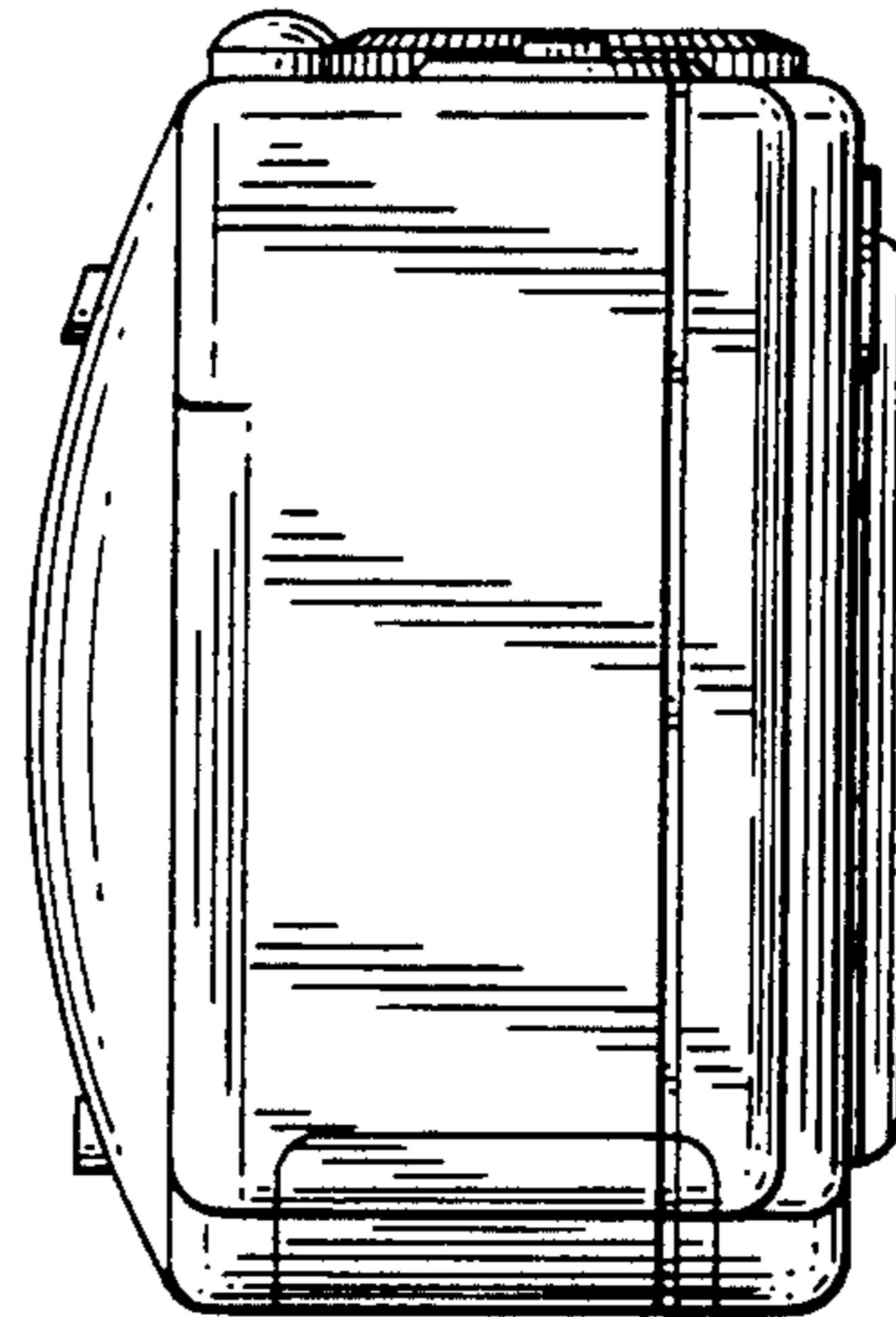


FIG. 5

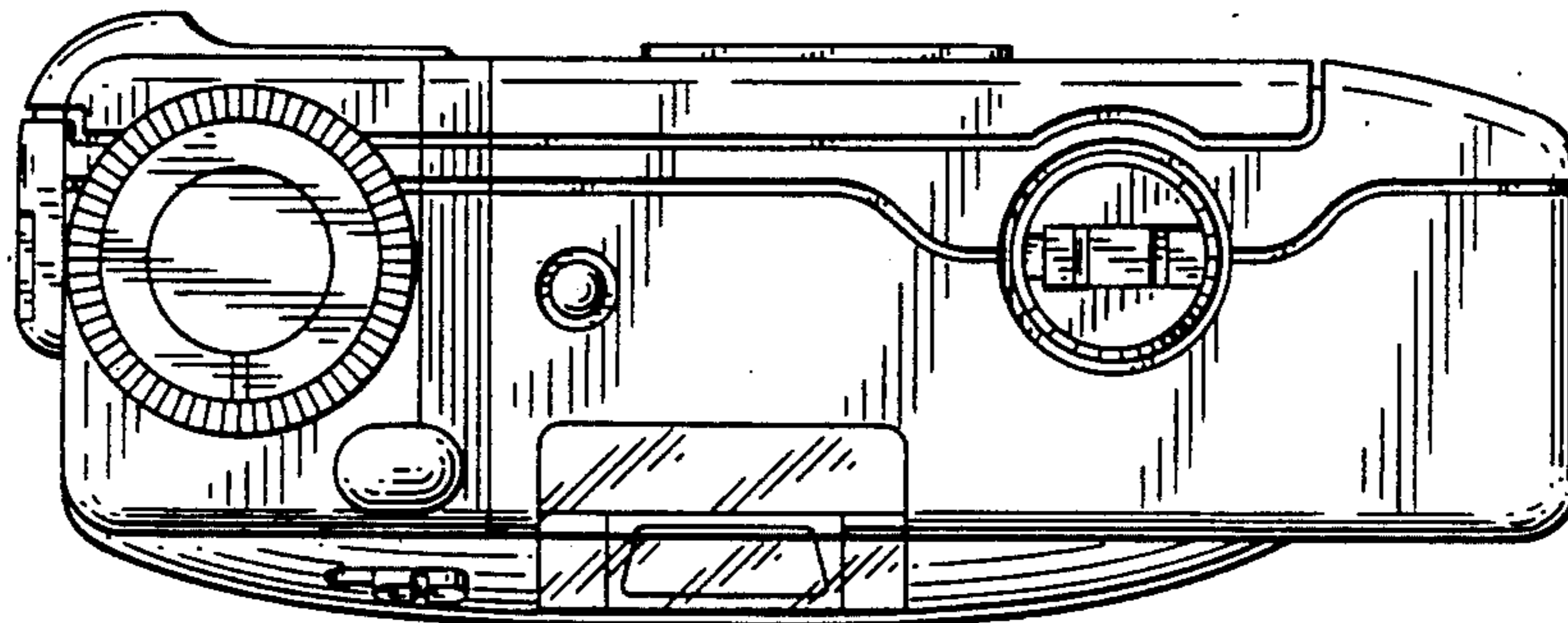
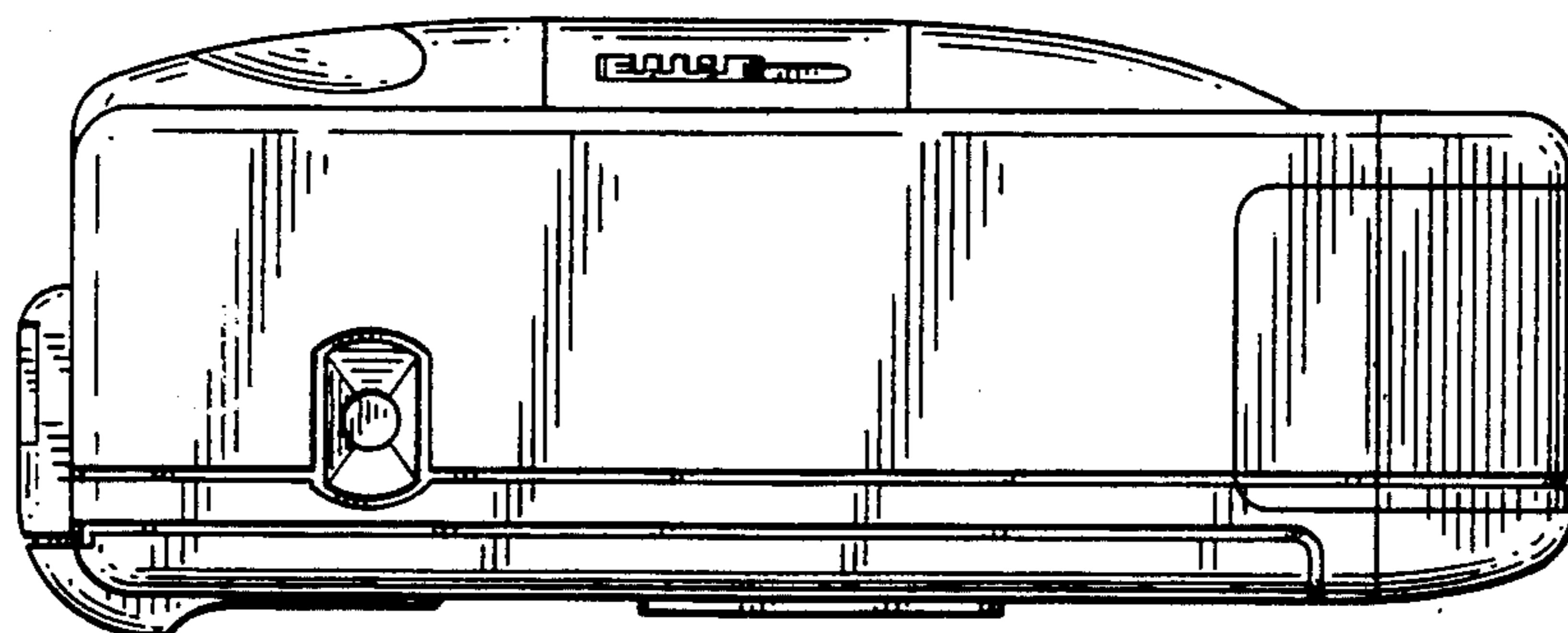


FIG. 6



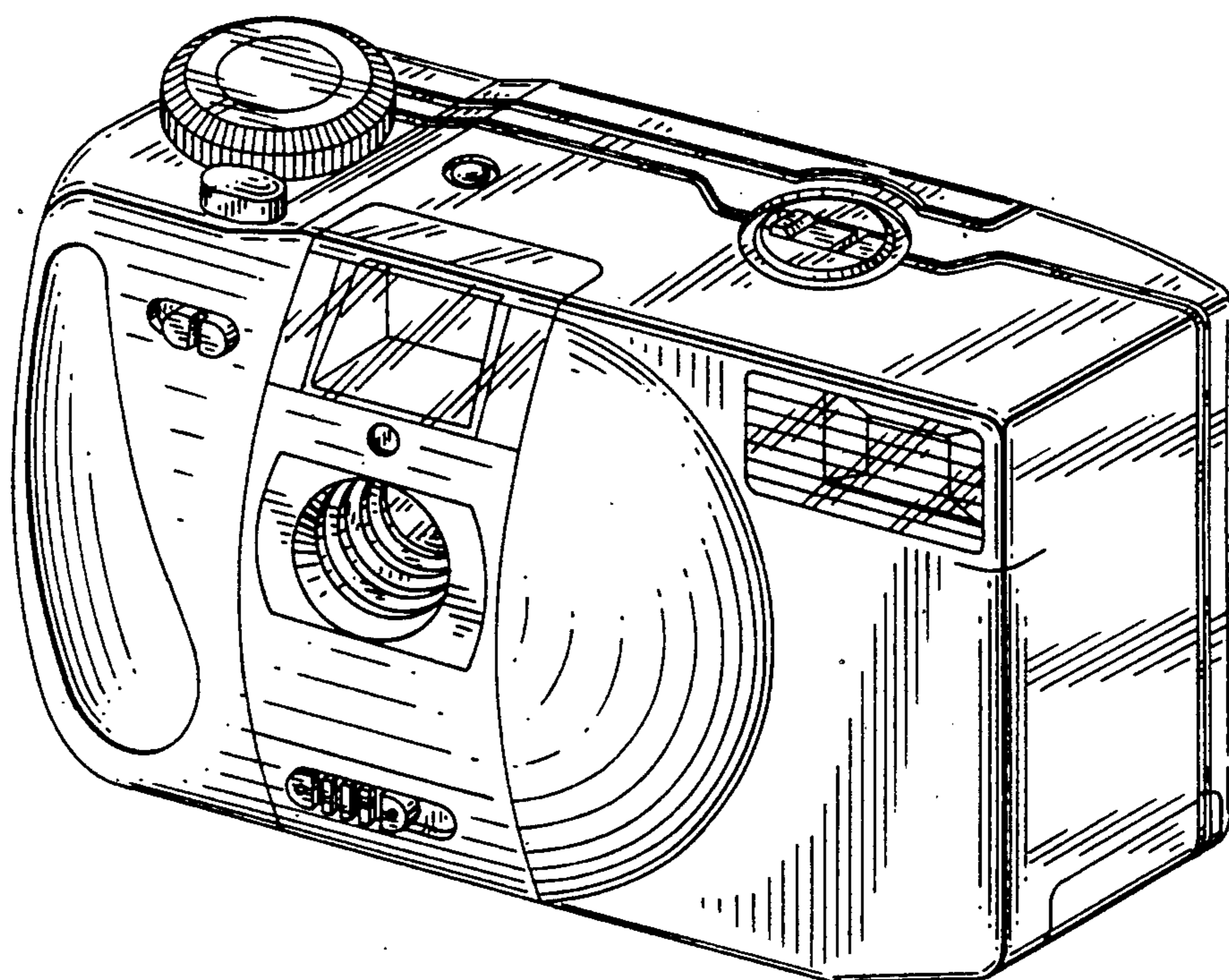


FIG. 7