

[54] COMBINED ADJUSTABLE SUNGLASSES AND HEADBAND

[76] Inventors: **Ramer B. Holtan, Jr.**, 5003 E. Mercer Way, Mercer Island, Wash. 98040; **James F. Bergman**, 16218 59th Ave. SE., Snohomish, Wash. 98290; **Kenneth E. Nelson**, 2626 E. Lake Samammish Pky. NE., Redmond, Wash. 98052; **Kevin Falk**, 5021 84th Ave. SE., Mercer Island, Wash. 98040

[**] Term: 14 Years

[21] Appl. No.: 229,024

[22] Filed: Aug. 5, 1988

[52] U.S. Cl. D16/107

[58] Field of Search 2/12, 174; D16/102, D16/103, 107, 110, 112, 116, 117, 118; 351/47

[56] References Cited

U.S. PATENT DOCUMENTS

- D. 150,474 8/1948 Stangl D16/107
- D. 272,865 3/1984 Edelman D16/103 X
- 2,411,831 11/1946 Lehmborg et al. D16/107 X
- 2,556,433 6/1951 Mitchell D16/110 X

- 2,582,554 1/1952 Mendelsohn 2/12 X
- 2,628,352 2/1953 Astruck D16/116 X
- 4,520,510 6/1985 Daigle 2/12 X
- 4,561,734 12/1985 Ayache D16/117 X
- 4,839,926 6/1989 Choi 2/12 X
- 4,859,047 8/1989 Badewitz 351/47

Primary Examiner—Bruce W. Dunkins
Assistant Examiner—Monica Hannon
Attorney, Agent, or Firm—Seed and Berry

[57] CLAIM

The ornamental design for a combined adjustable sunglasses and headband combination, as shown and described.

DESCRIPTION

FIG. 1 is a front elevational view of a flip-up sunglasses and headband combination, with the sunglasses in the lowered position, showing my new design.

FIG. 2 is a right side elevational view thereof.

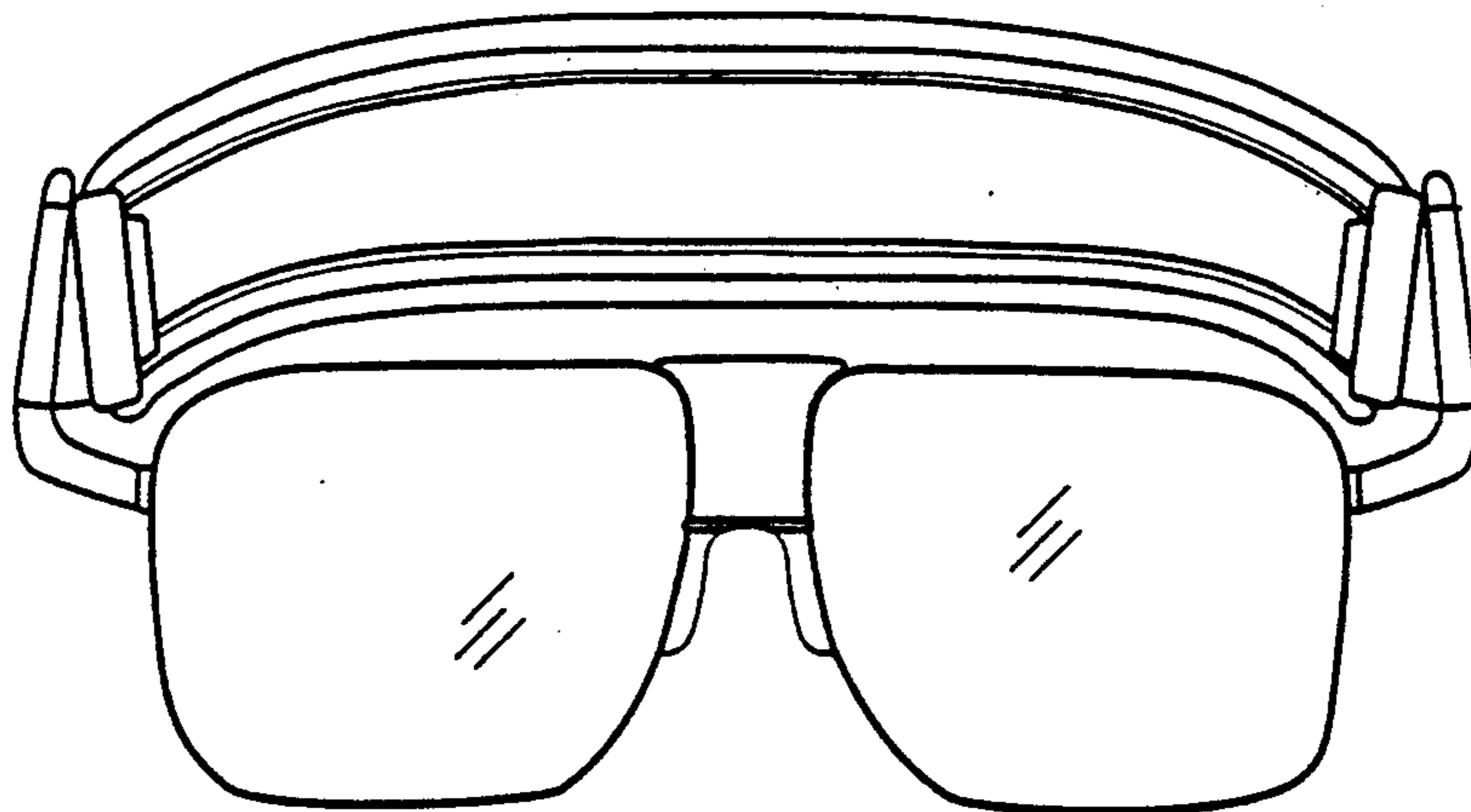
FIG. 3 is a right side elevational view thereof, with the sunglasses in the raised position.

FIG. 4 is a left side elevational view thereof.

FIG. 5 is a left side elevational view thereof with the sunglasses in the raised position.

FIG. 6 is a top plan view thereof.

FIG. 7 is a bottom plan view thereof.



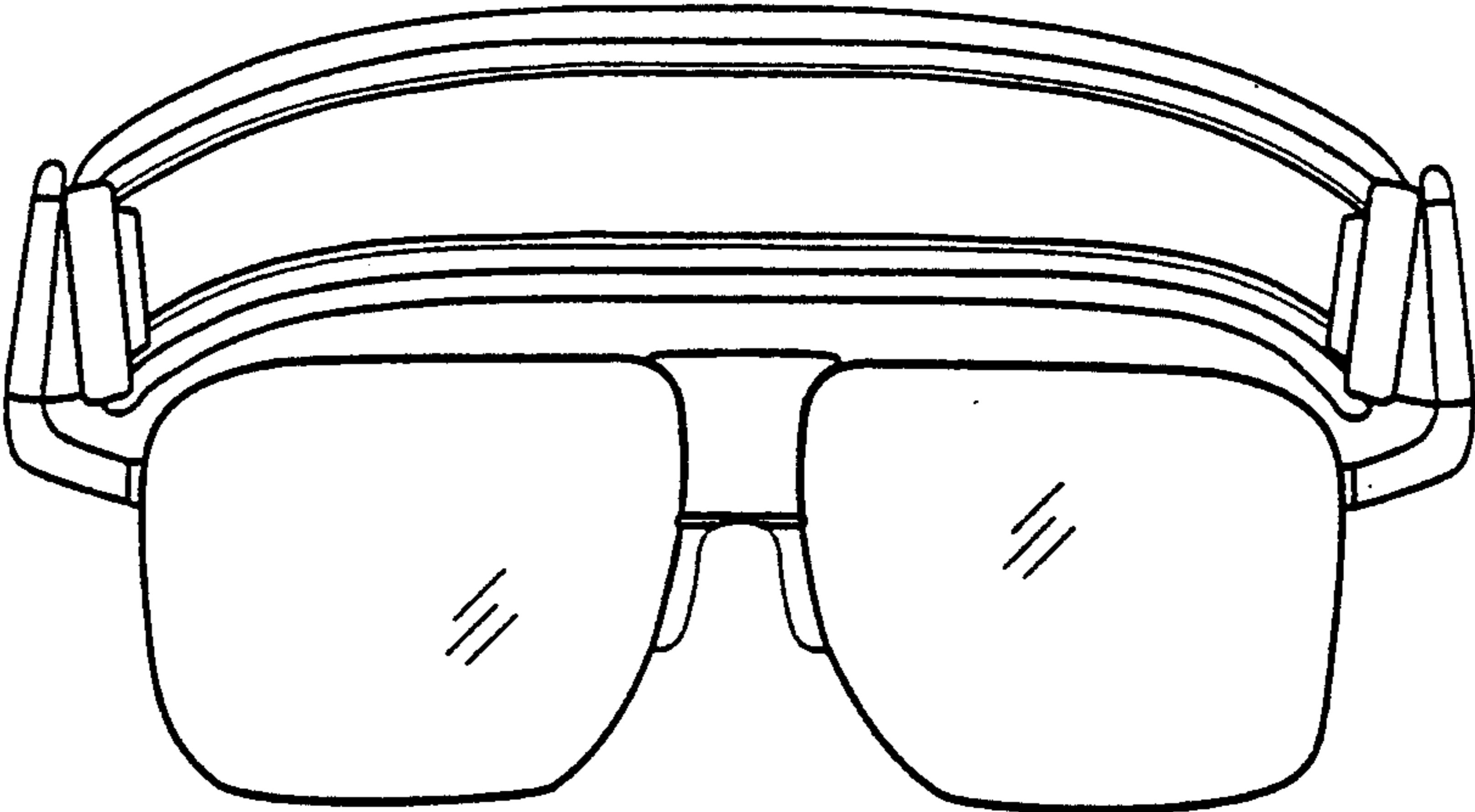


Figure 1

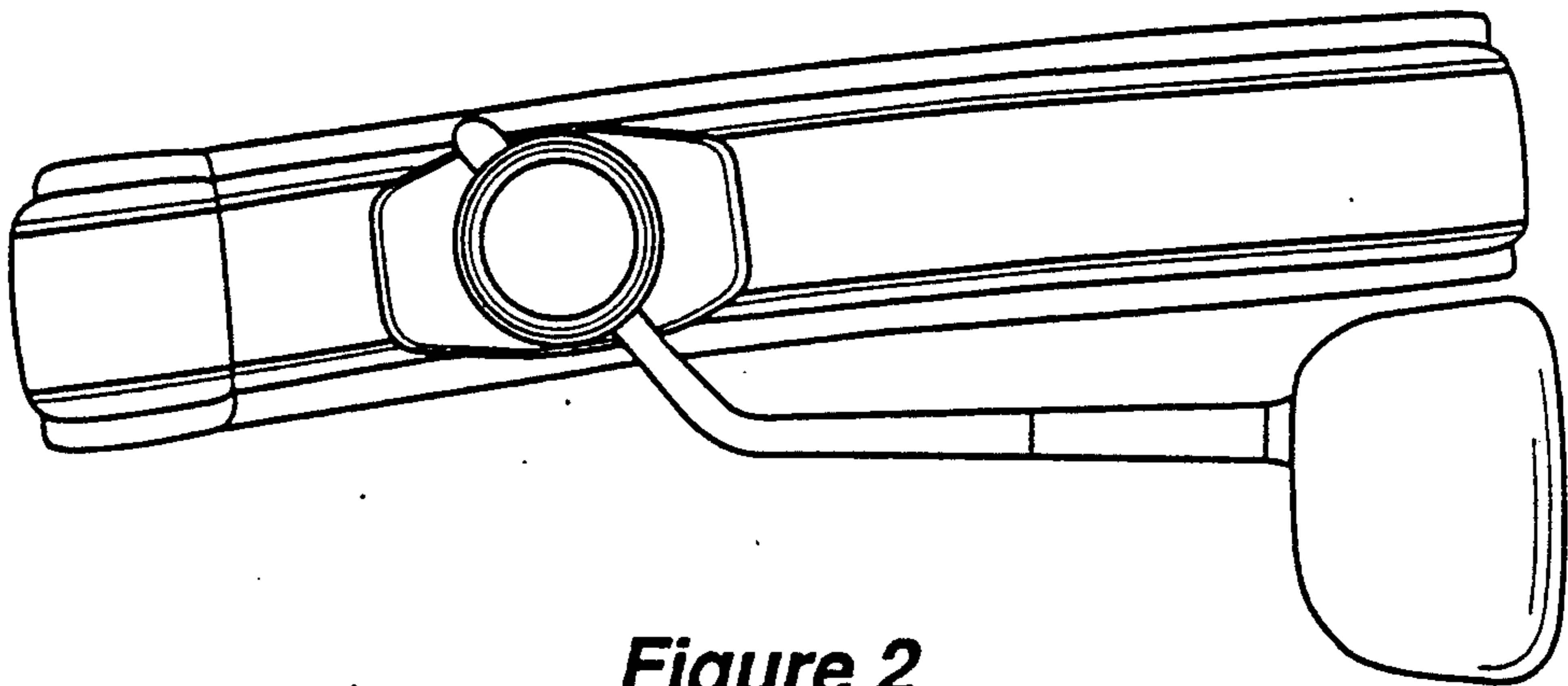


Figure 2

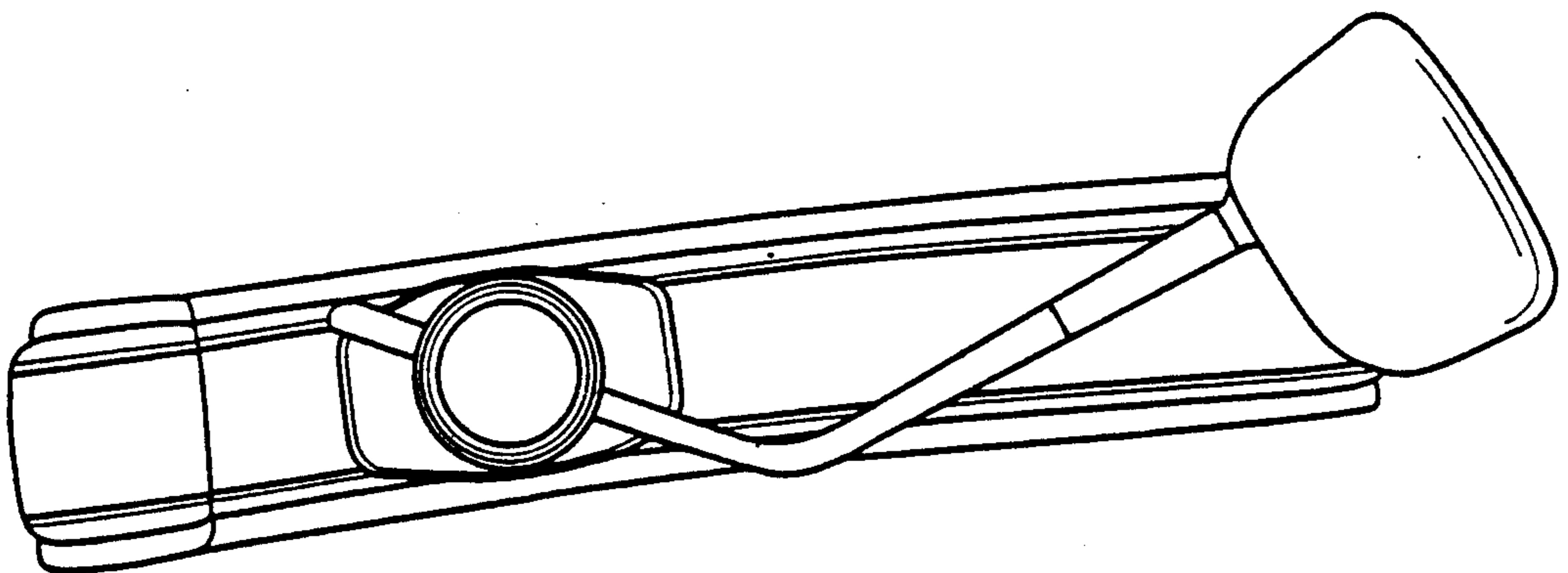


Figure 3

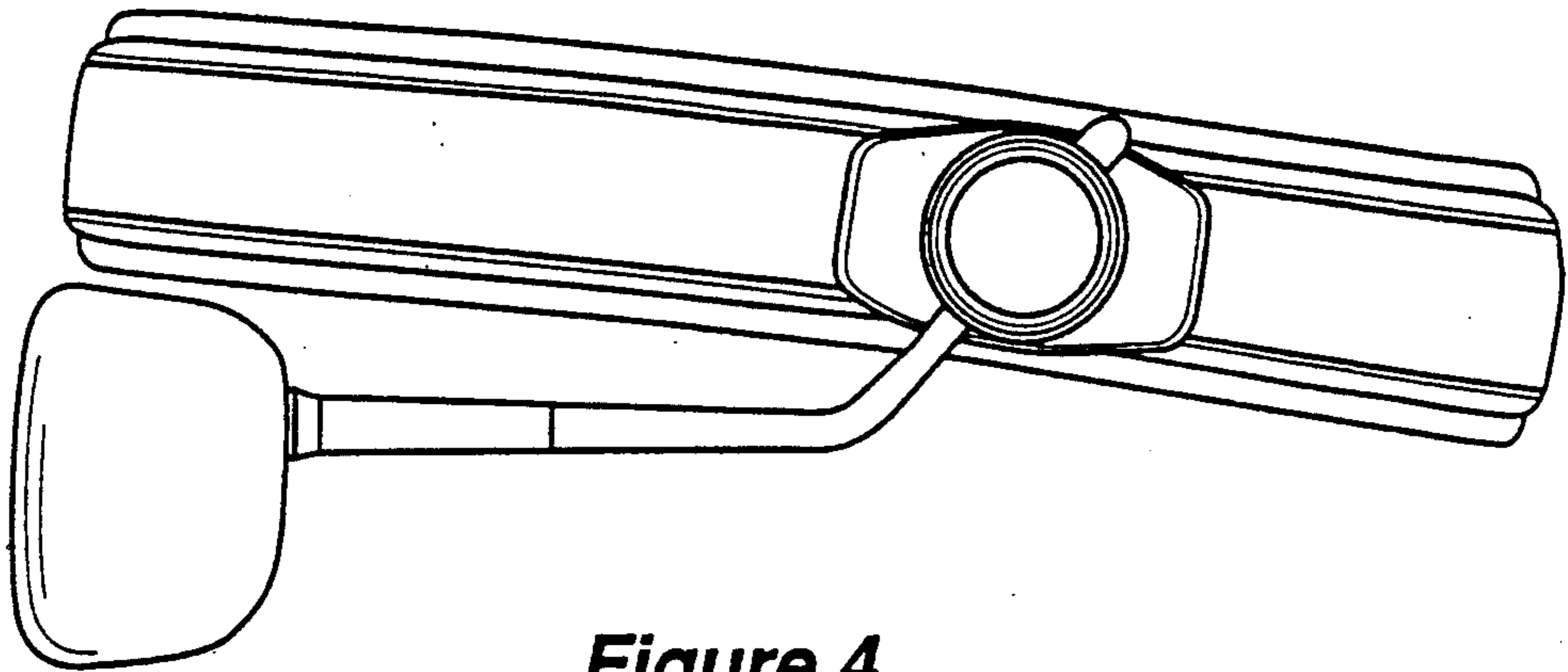


Figure 4

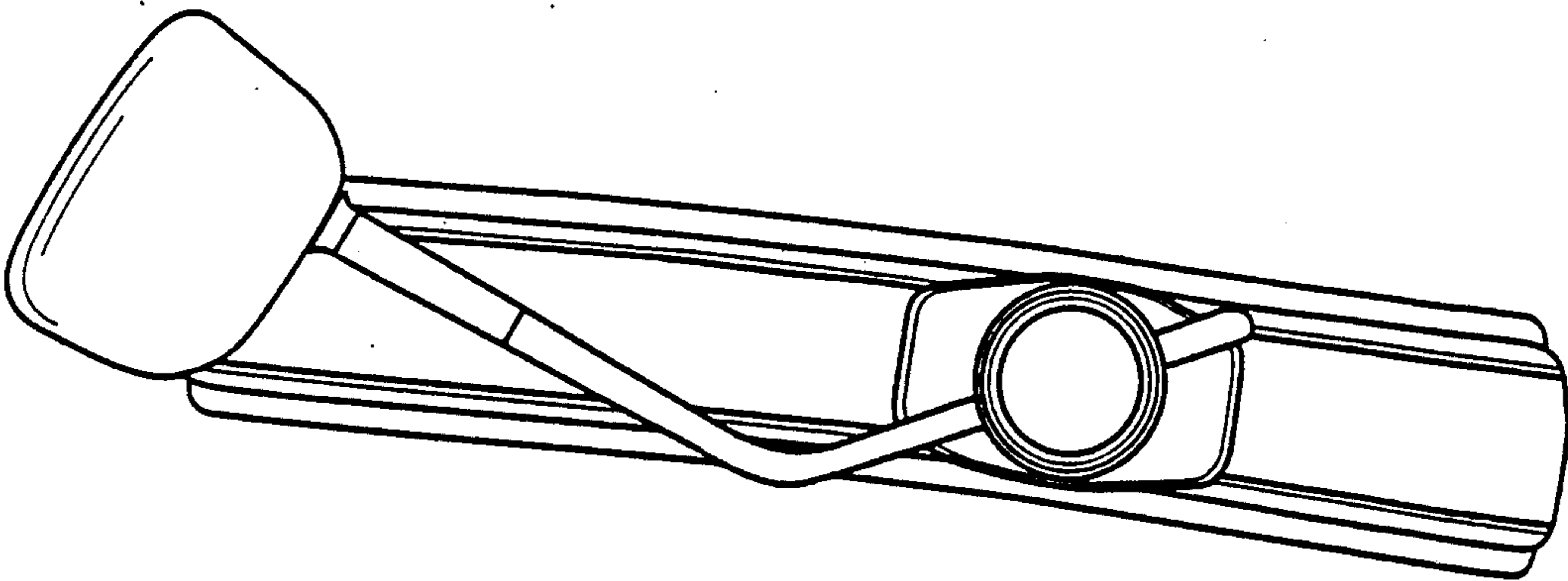


Figure 5

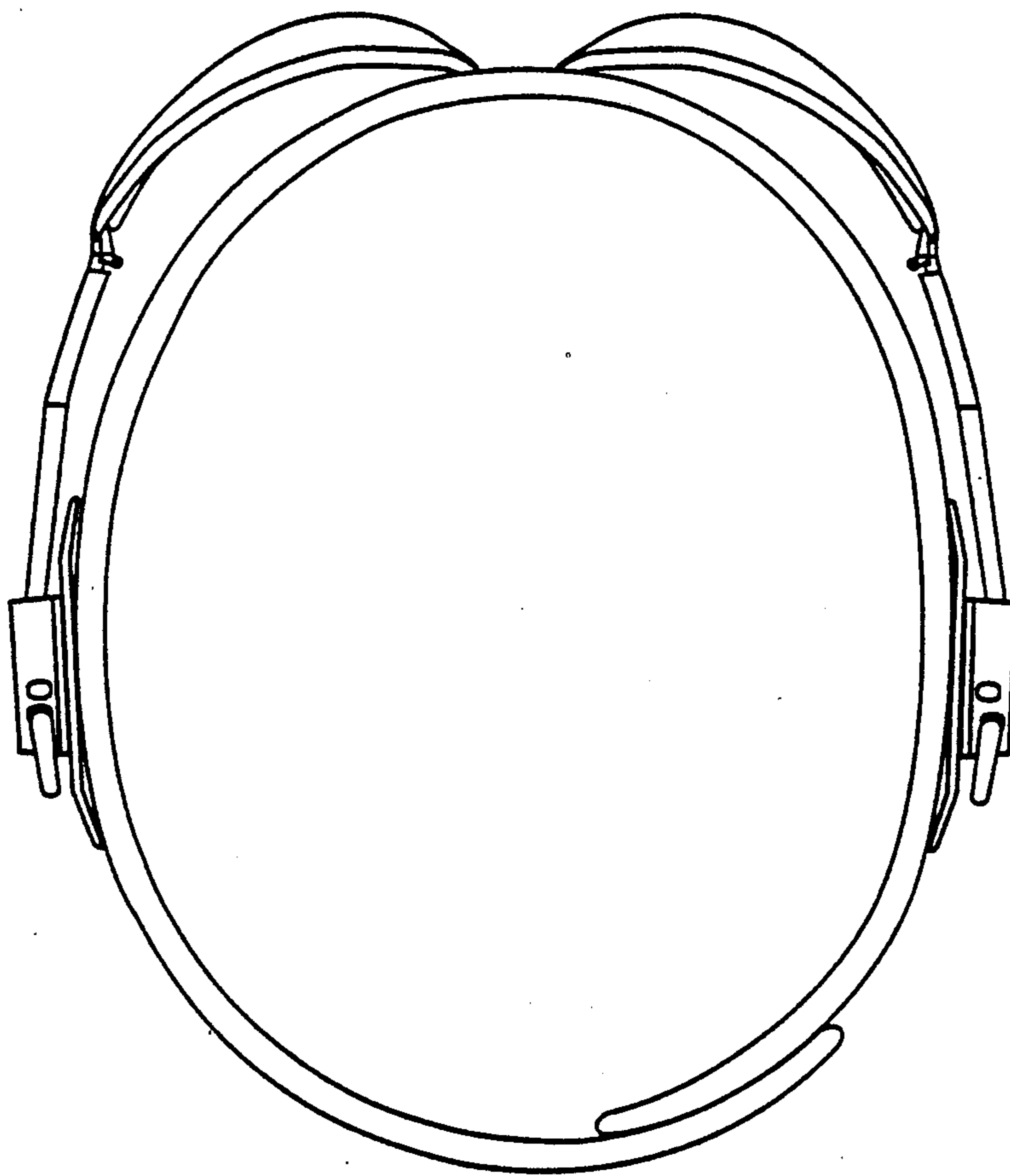


Figure 6

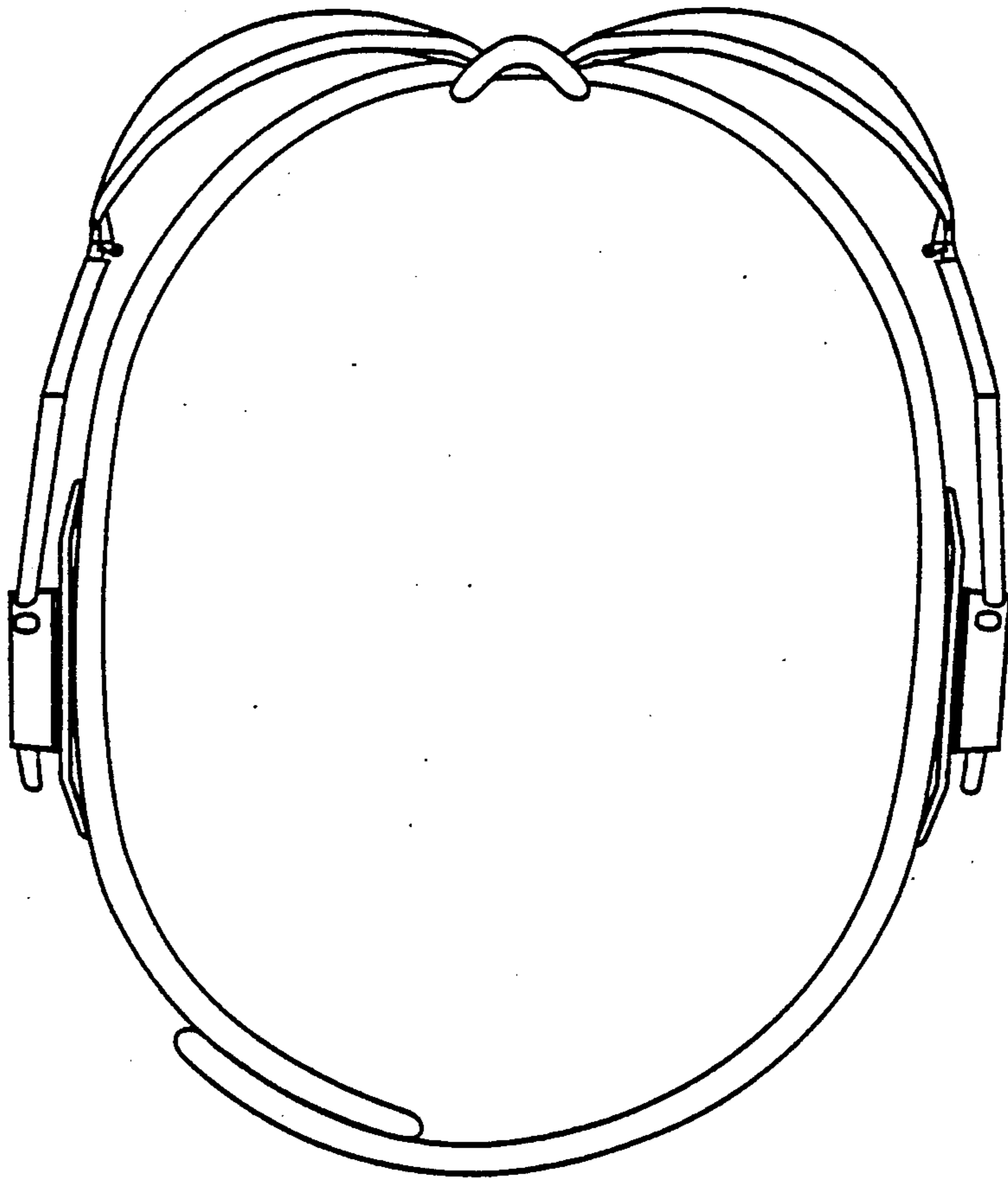


Figure 7