

[54] PORTABLE REFRIGERATOR, WARMER, OR THE LIKE

[76] Inventor: Udo Fritsch, Powers St., Milford, N.H. 03055

[**] Term: 14 Years

[21] Appl. No.: 387,891

[22] Filed: Jul. 31, 1989

[52] U.S. Cl. D15/83

[58] Field of Search D15/79-81, D15/83, 89; 62/252, 371, 457.1, 457.2, 457.9; 312/139.2, 236, 297; D7/602, 605, 607; 126/19 R, 19 M, 261, 275 R

[56] References Cited

U.S. PATENT DOCUMENTS

D. 267,324	12/1982	Norimatsu et al.	D15/83
3,395,550	8/1968	Dungan	62/457.1
3,665,728	5/1972	Stoller	62/457.1
4,024,731	5/1977	Branscum	62/457.2
4,577,475	3/1986	Herrera	62/457.1
4,893,478	1/1990	Kruck et al.	312/236

OTHER PUBLICATIONS

Hong Kong Enterprise, 1/86, p. 43, pic. of cooler upper right.

Primary Examiner—Bernard Ansher

Assistant Examiner—Sandra Morris

Attorney, Agent, or Firm—Pearson & Pearson

[57] CLAIM

The ornamental design for a portable refrigerator, warmer, or the like, as shown and described.

DESCRIPTION

FIG. 1 is a perspective view of a portable refrigerator, warmer or the like, showing my new design; FIG. 2 is a top plan view thereof; FIG. 3 is a bottom plan view thereof; FIG. 4 is a right side elevational view thereof; FIG. 5 is a left side elevational view thereof; FIG. 6 is a front elevational view thereof; FIG. 7 is a rear elevational view thereof; FIG. 8 is a perspective view thereof, with the door shown open, in an upright position.

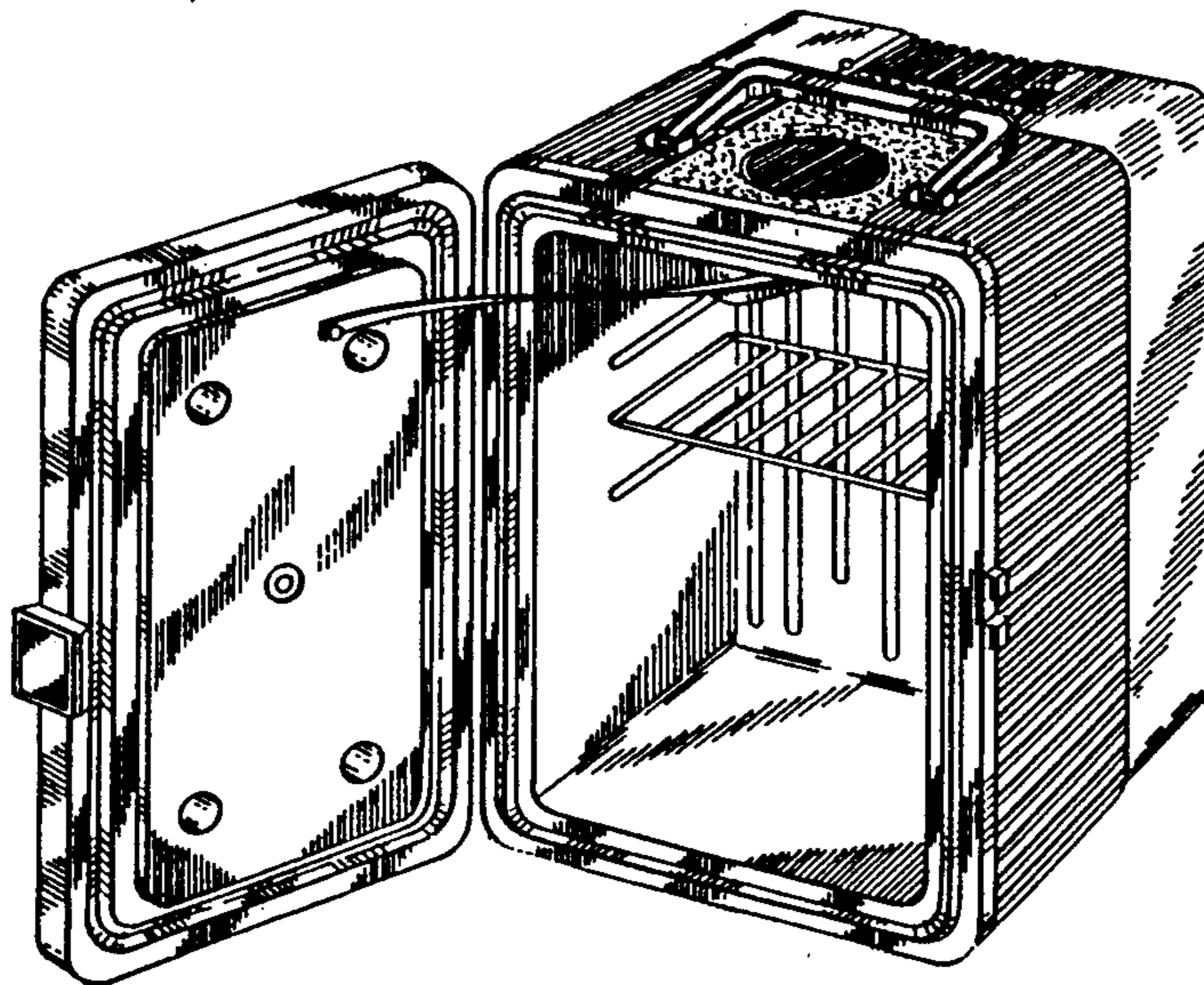
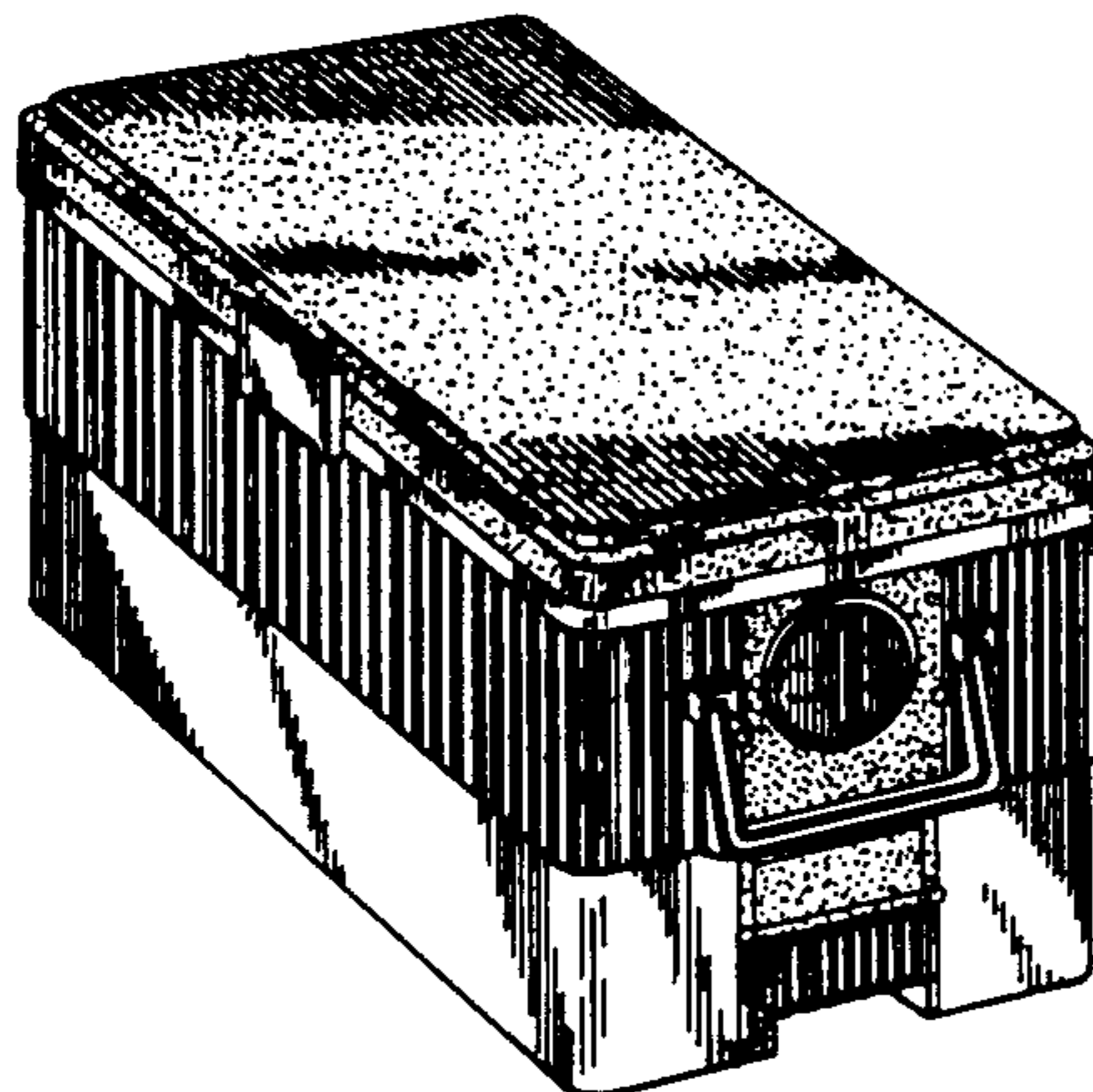


Fig.1.

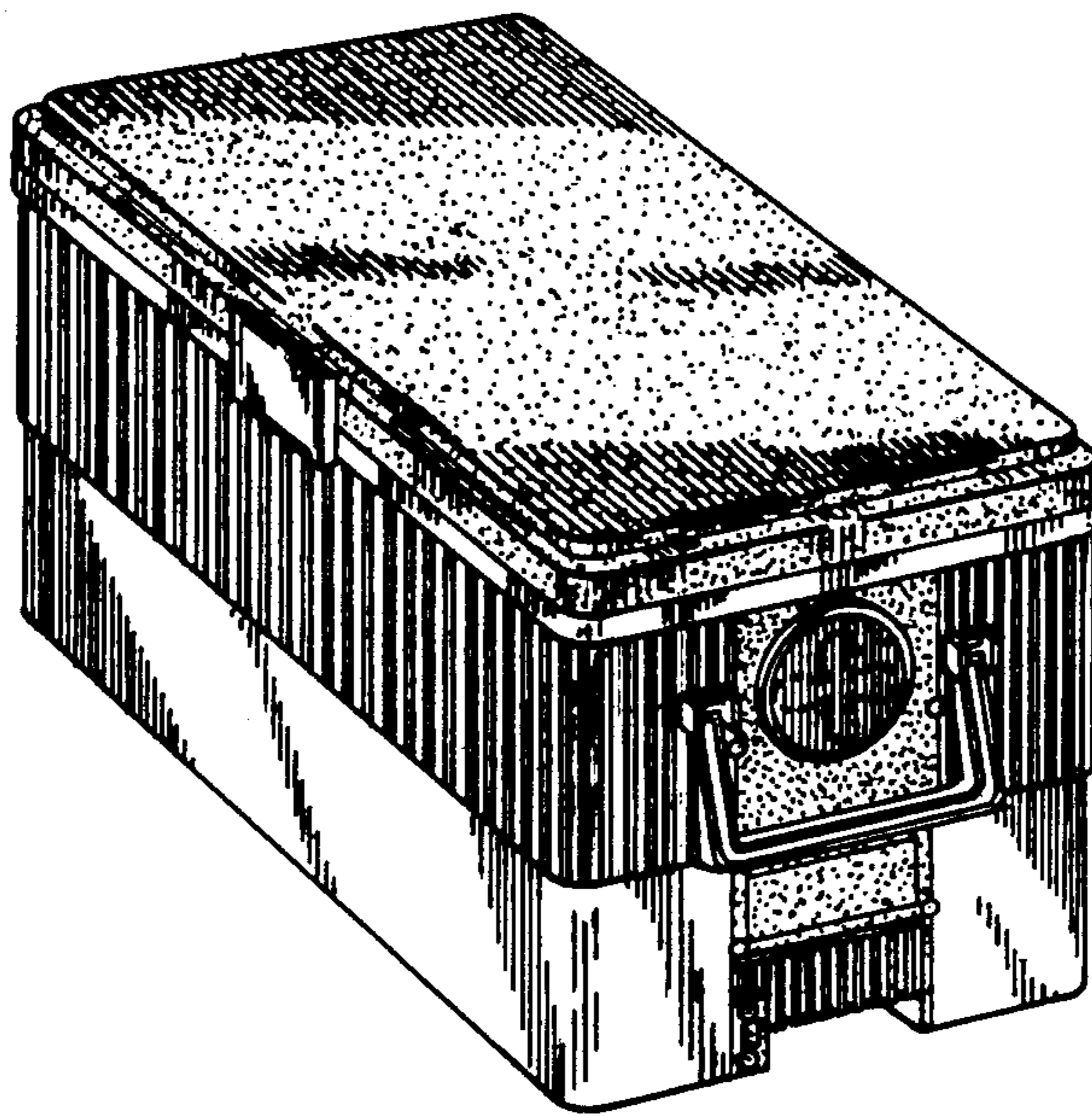


Fig.2.

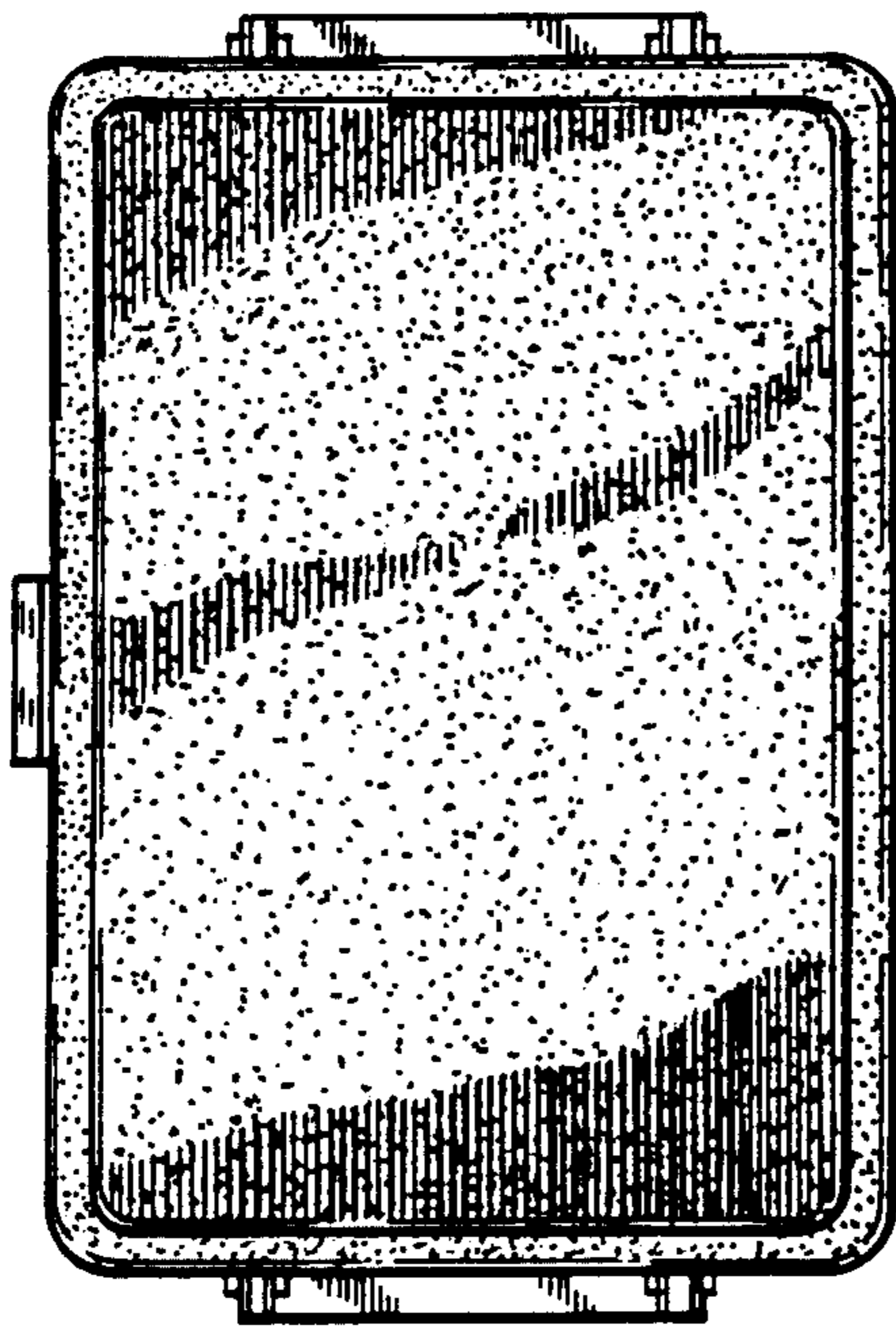


Fig.3.

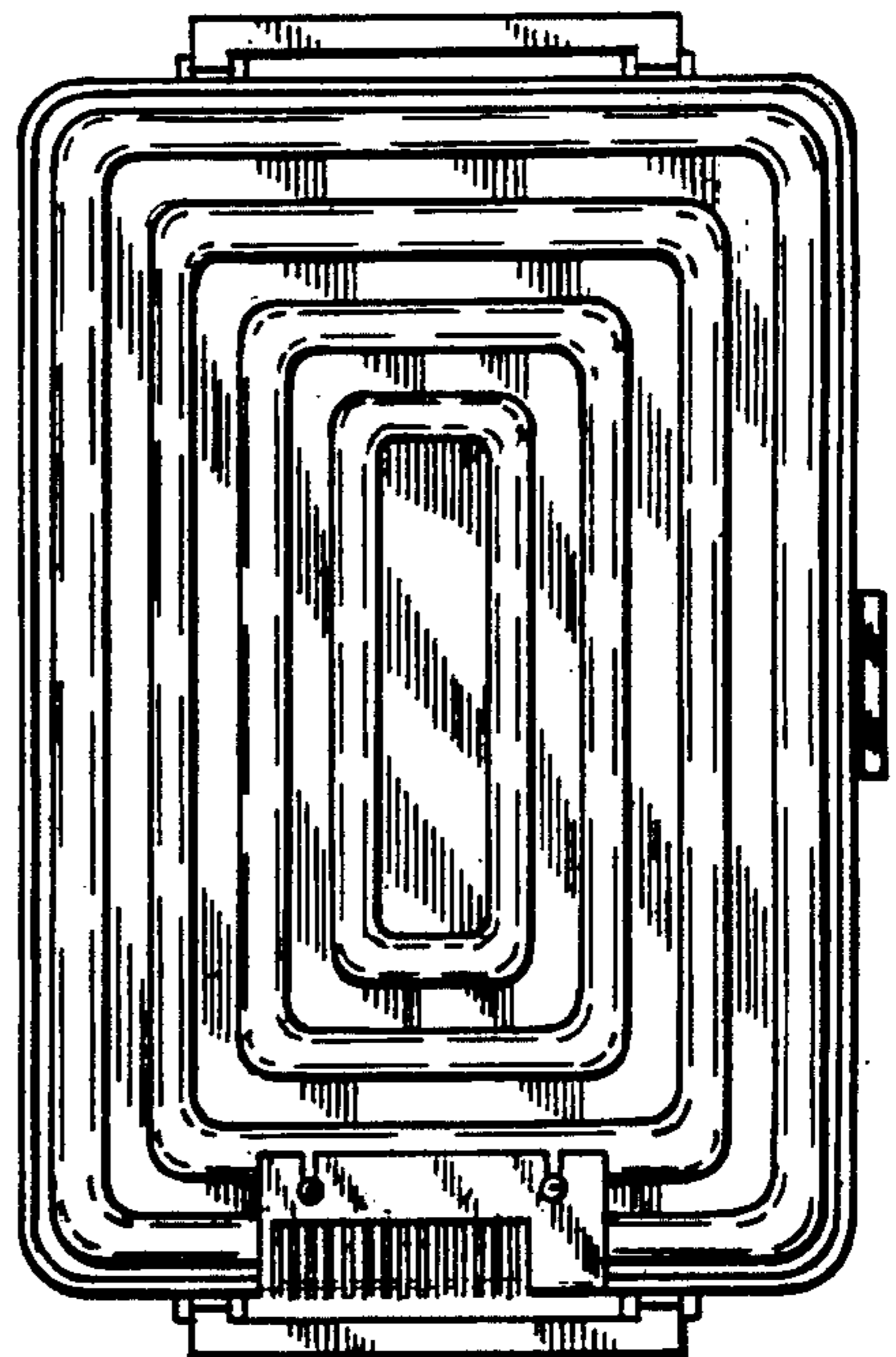


Fig.4.

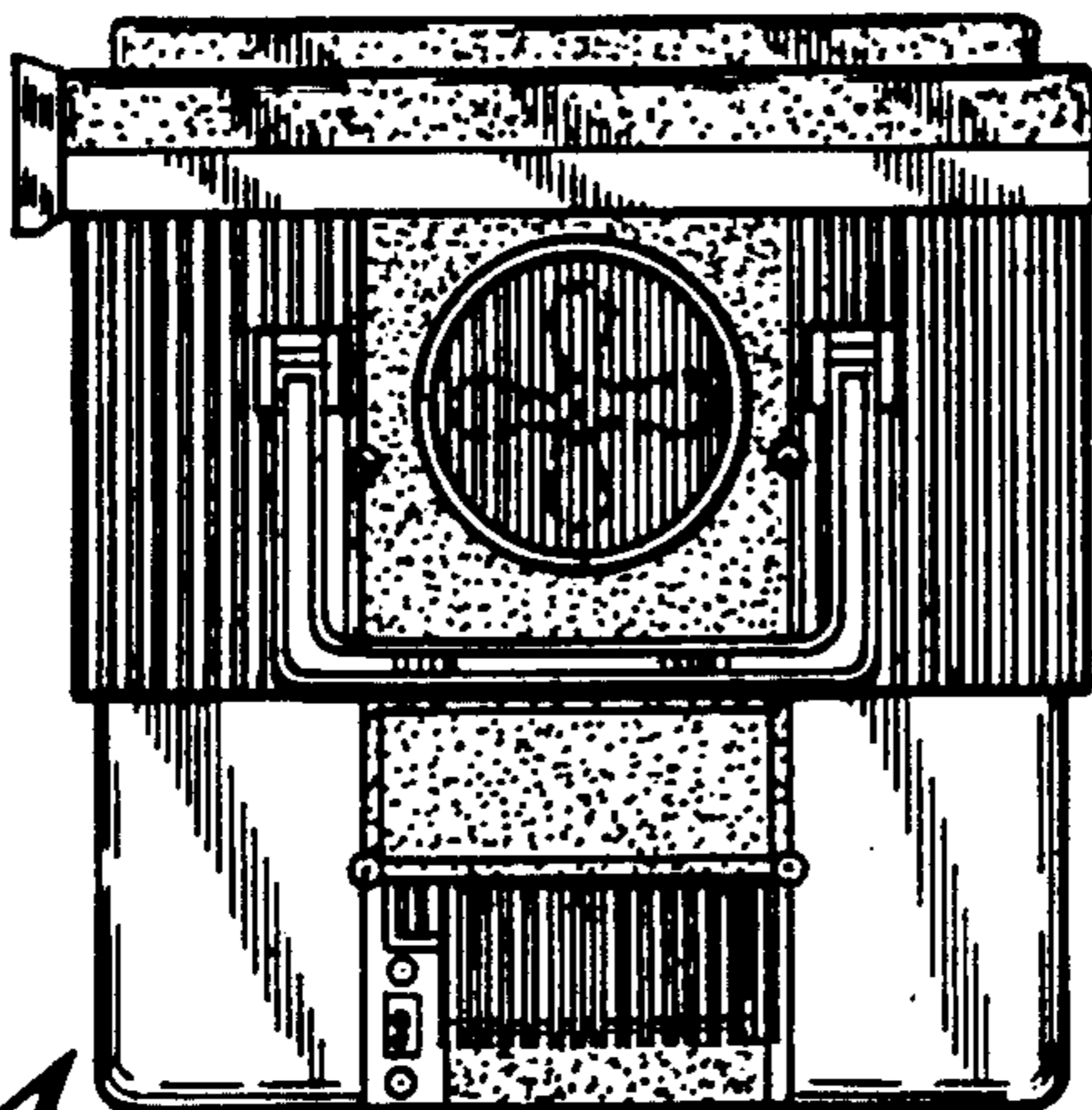


Fig.5.

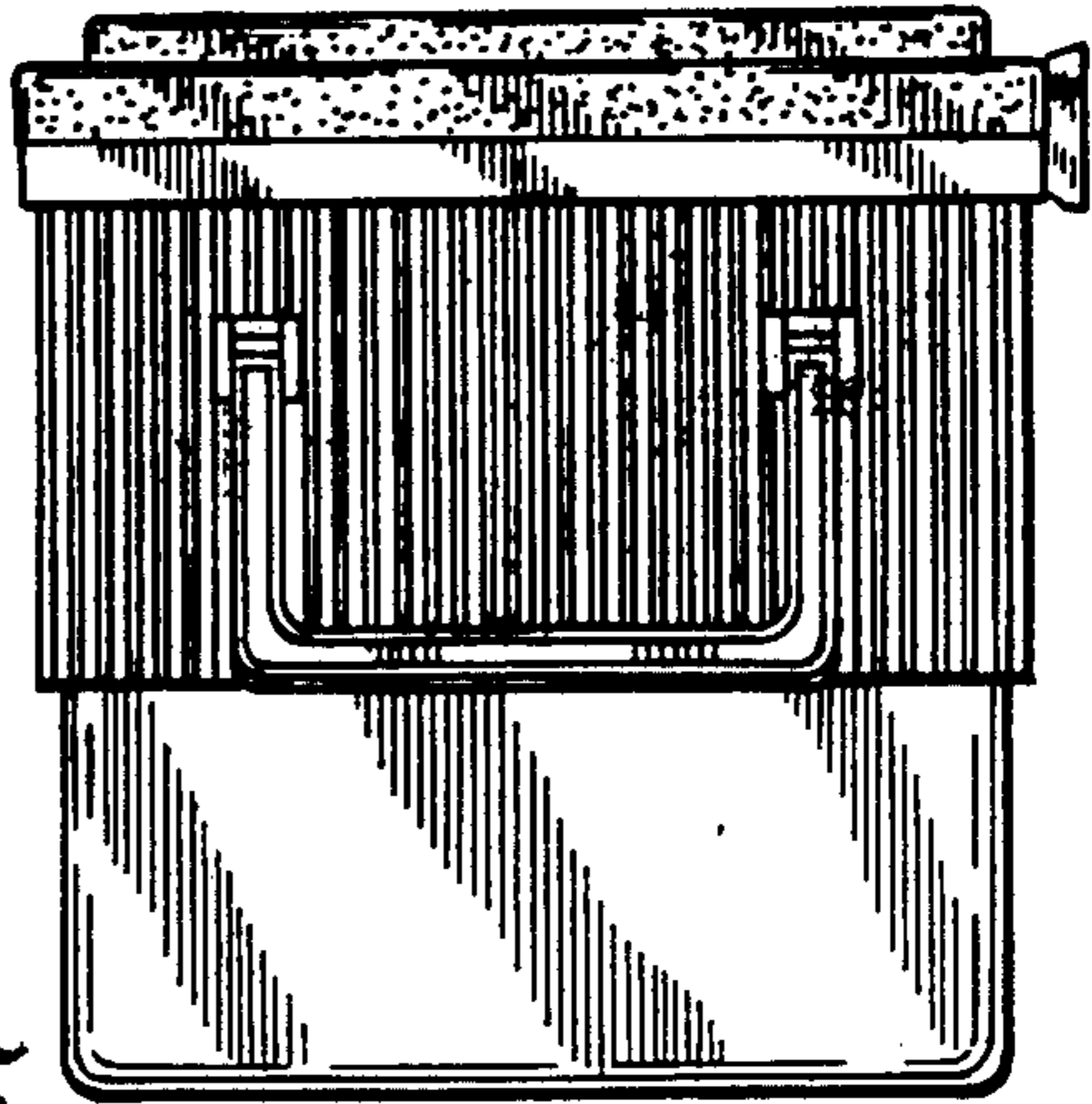


Fig. 6.

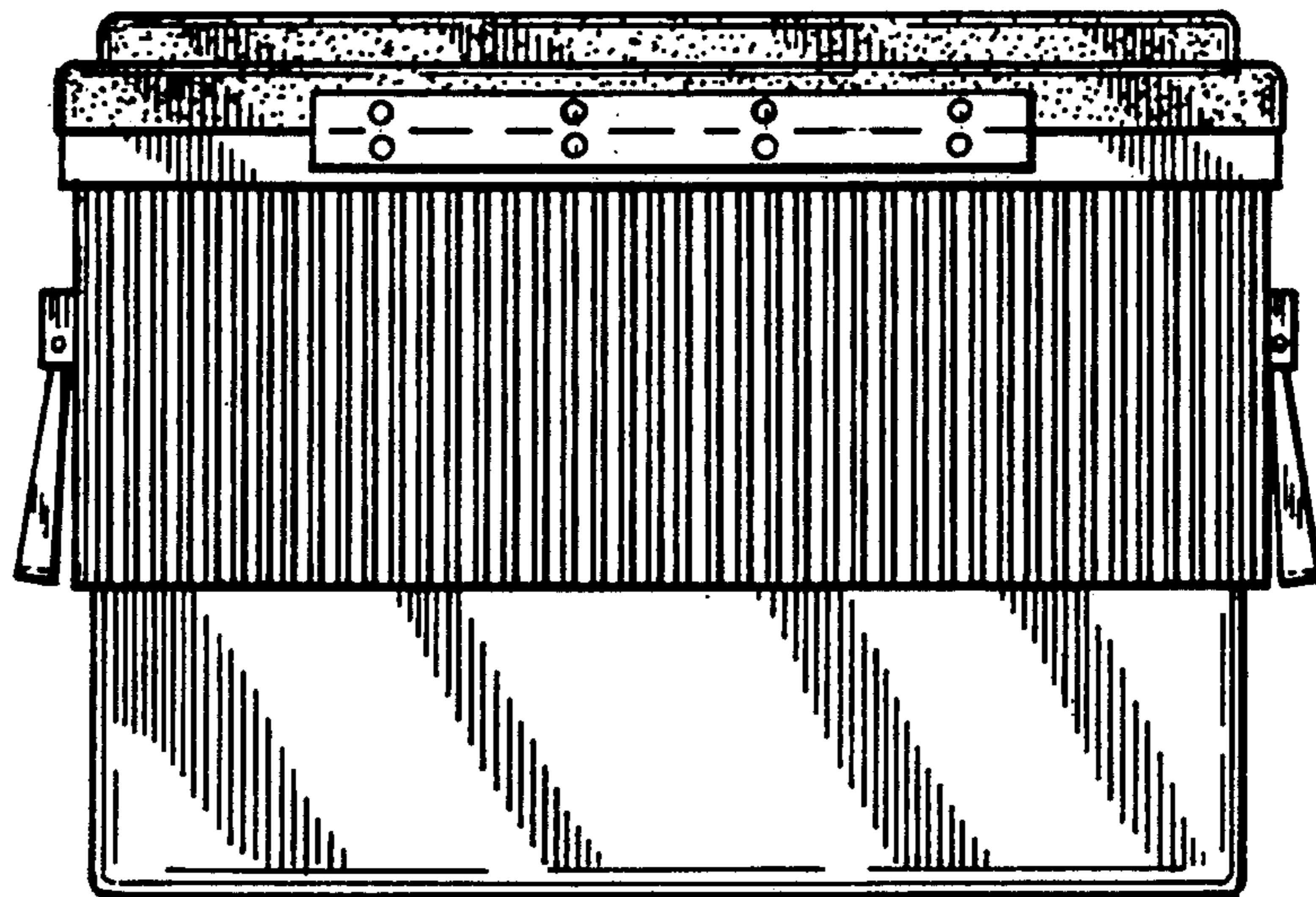
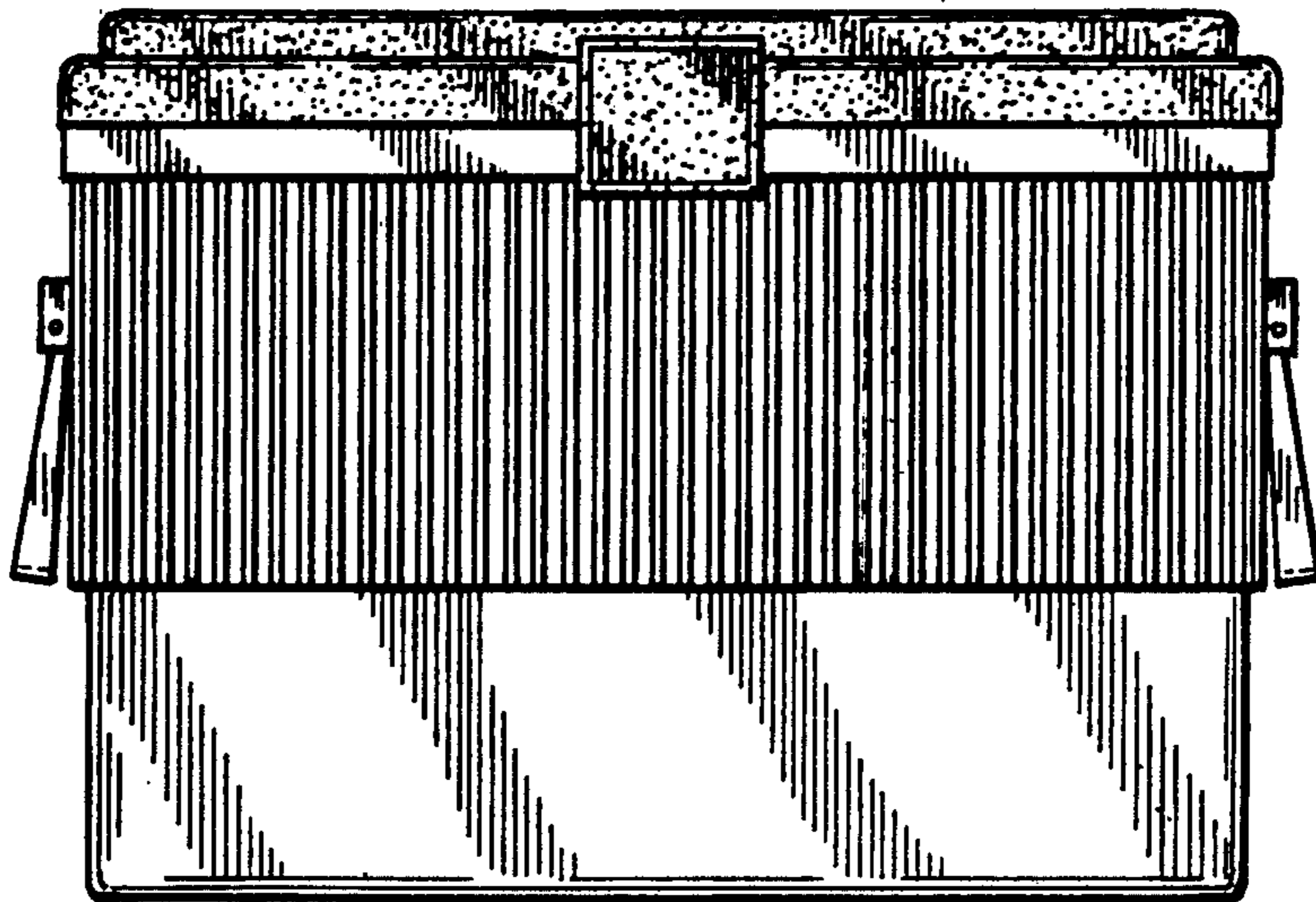


Fig. 7.

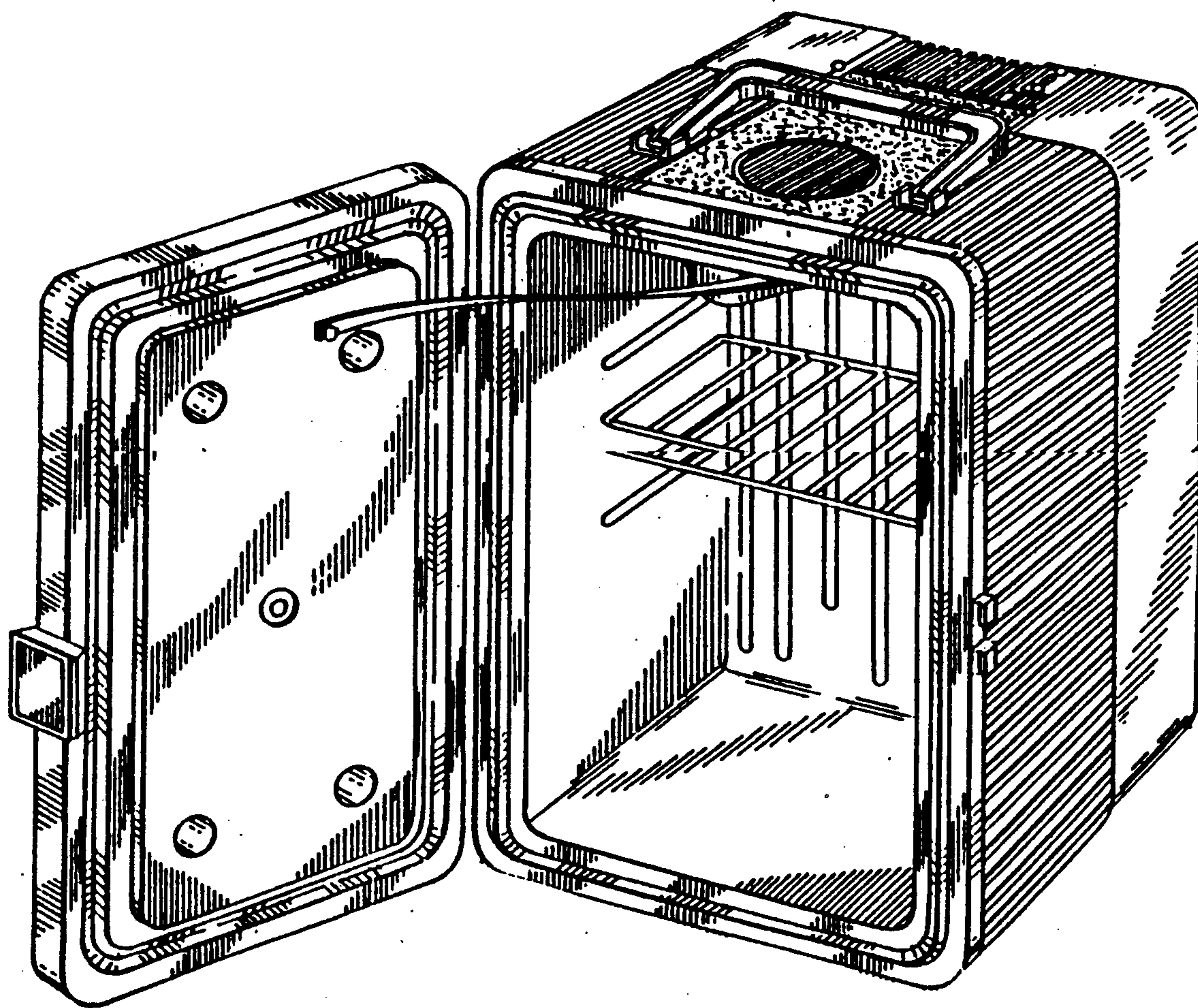


Fig. 8