

[54] COMPUTER KEYBOARD HOUSING

[75] Inventors: Clifford E. Lacount, Townsend; Peter S. Macdonald, Reading, both of Mass.

[73] Assignee: Wang Laboratories, Inc., Lowell, Mass.

[**] Term: 14 Years

[21] Appl. No.: 301,305

[22] Filed: Jan. 24, 1989

[52] U.S. Cl. D14/115

[58] Field of Search D14/100, 101, 105, 106, D14/113, 114, 115; D18/1, 7, 11, 12; 235/145 A, 145 R; 340/700, 706, 711, 712; 341/22, 23, 26; 364/706-710.14, 200, 900; 400/477, 479, 484-486, 693.1

[56] References Cited

U.S. PATENT DOCUMENTS

- D. 271,767 12/1983 Ohie D14/100
- D. 275,755 10/1984 Cottrill et al. D14/100
- D. 279,190 6/1985 Tsumura et al. D14/100
- D. 280,408 9/1985 Kuba D14/100
- D. 281,689 12/1985 Peroni D14/100
- D. 285,305 8/1986 Liuzzo et al. D14/100
- D. 285,793 9/1986 Moggridge D14/100
- D. 292,708 11/1987 Arney D14/100
- D. 293,244 12/1987 Chu et al. D14/100
- D. 293,580 1/1988 Arney D14/115
- D. 293,911 1/1988 Lynar et al. D14/100
- D. 304,721 11/1989 Mikan D14/115

OTHER PUBLICATIONS

Micro Switch, undated, p. 3, St Series Styles A-D, Low Profile Enclosures.

American National Standard for Human Factors Engineering of Visual Display Terminal Workstations, AN-

SI/HfS 100-1988, publ. by the Human Factors Society, Inc.

Ergonomics Recommendations for VDU Work Places, TR/22, ECMA-European Computer Manufacturers Association, Mar. 1984.

IBM PC and PC-AT Plug Compatible Touch Panel Keyboard TCE434 Series, Touch Panel Specification Guide, Micro Switch, a Honeywell Division.

Touch Panel Applications, Note 1, Basic Construction Approaches Used for Membrane Switching, Micro Switch, a Honeywell Division.

Touch Panel Applications, Note 2, Electrostatic Discharge Considerations for Membrane Touch Panels, Honeywell, Keyboard Division (formerly Micro Switch).

Touch Panel Applications, Note 3, Gold vs Silver Contacts for Membrane Touch Panels-Honeywell Keyboard Division (formly Microswitch).

Touch Panel Materials-Graphic Layer Film Selection, Micro Switch (Honeywell Touch Panel Graphics-Type Selection and Copyfitting, Micro Switch, a Honeywell Division.

Primary Examiner-Wallace R. Burke

Assistant Examiner-Freda S. Nunn

Attorney, Agent, or Firm-Michael H. Shanahan; Kenneth L. Milik

[57] CLAIM

The ornamental design for a computer keyboard housing, as shown and described.

DESCRIPTION

FIG. 1 is a top plan view of a computer keyboard housing showing our new design;

FIG. 2 is a front elevational view thereof;

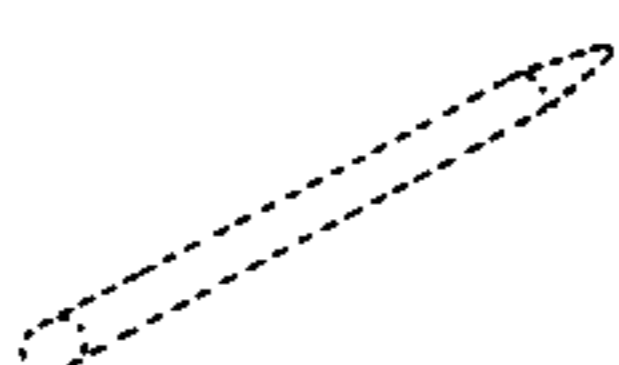
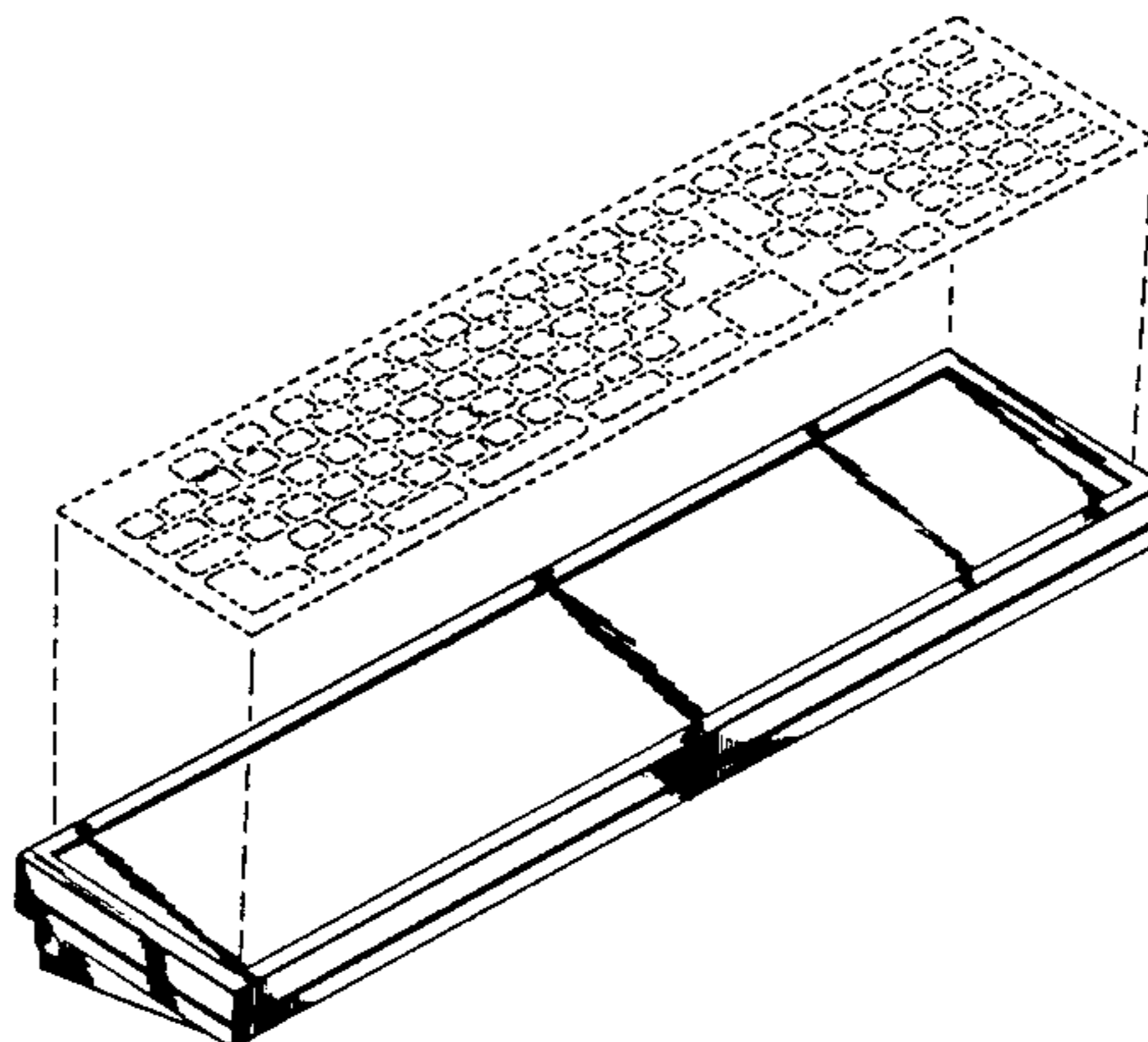
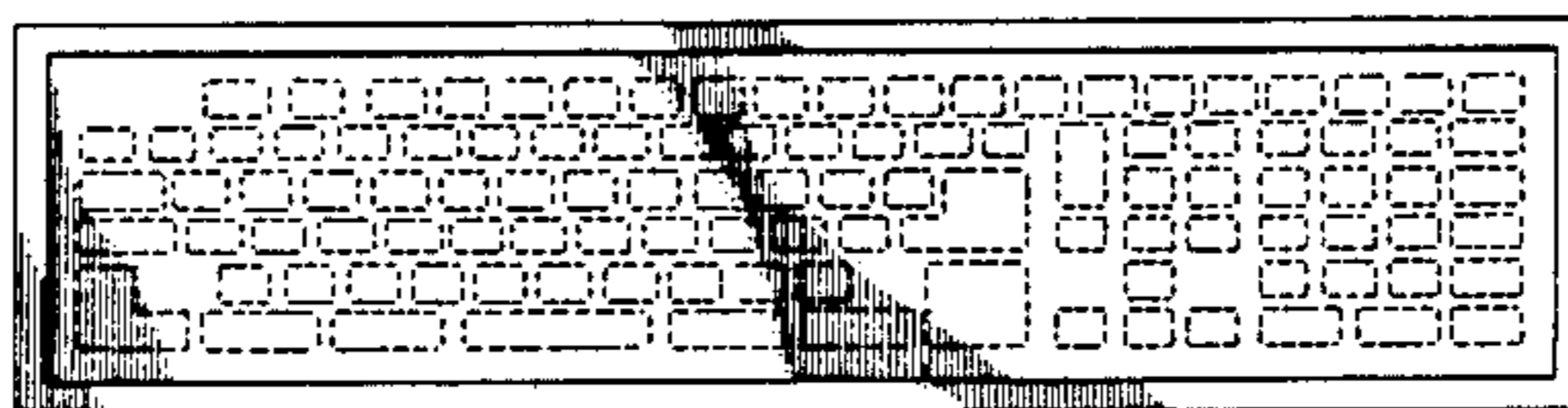
FIG. 3 is a right side elevational view thereof;

FIG. 4 is a left side elevational view thereof;

FIG. 5 is a rear elevational view thereof;

FIG. 6 is a bottom plan view thereof; and

FIG. 7 is a top, front, left side perspective view thereof.



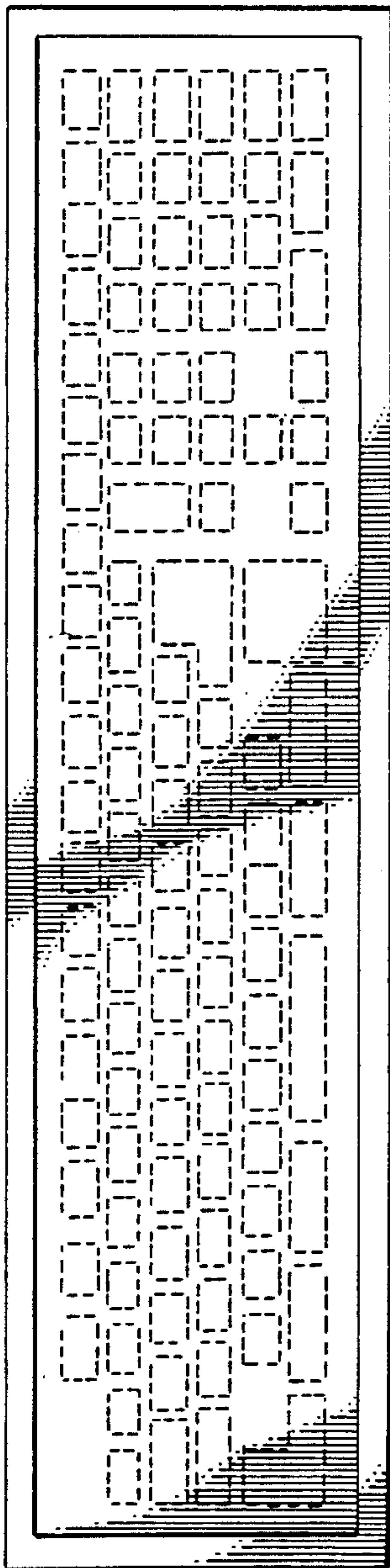


FIG. 1

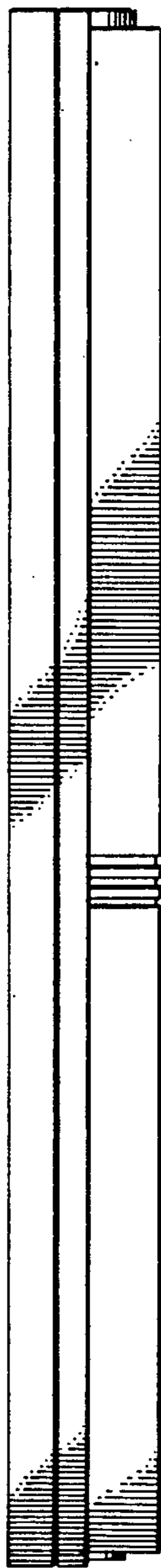


FIG. 5

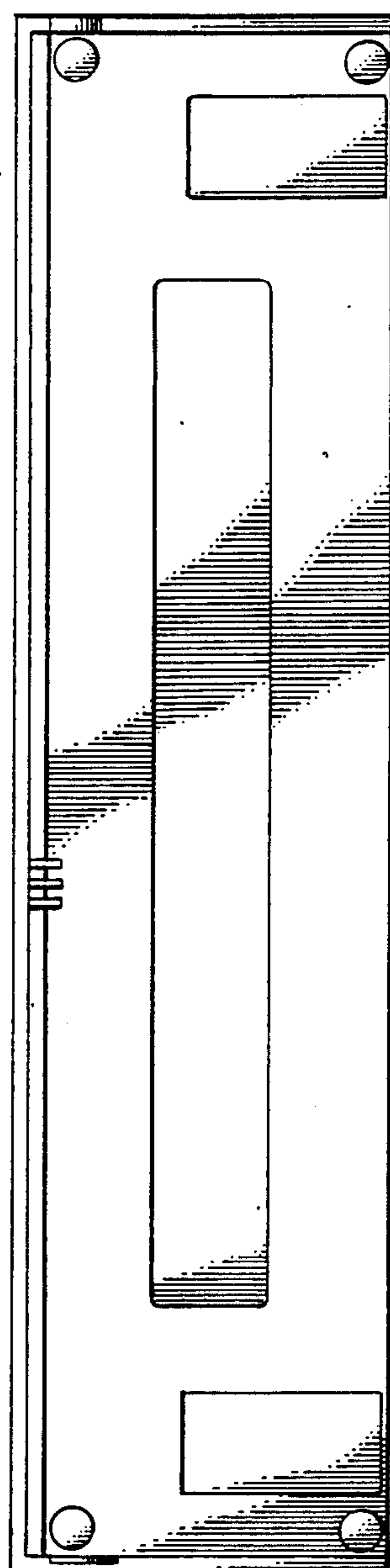


FIG. 6



FIG. 2



FIG. 3



FIG. 4

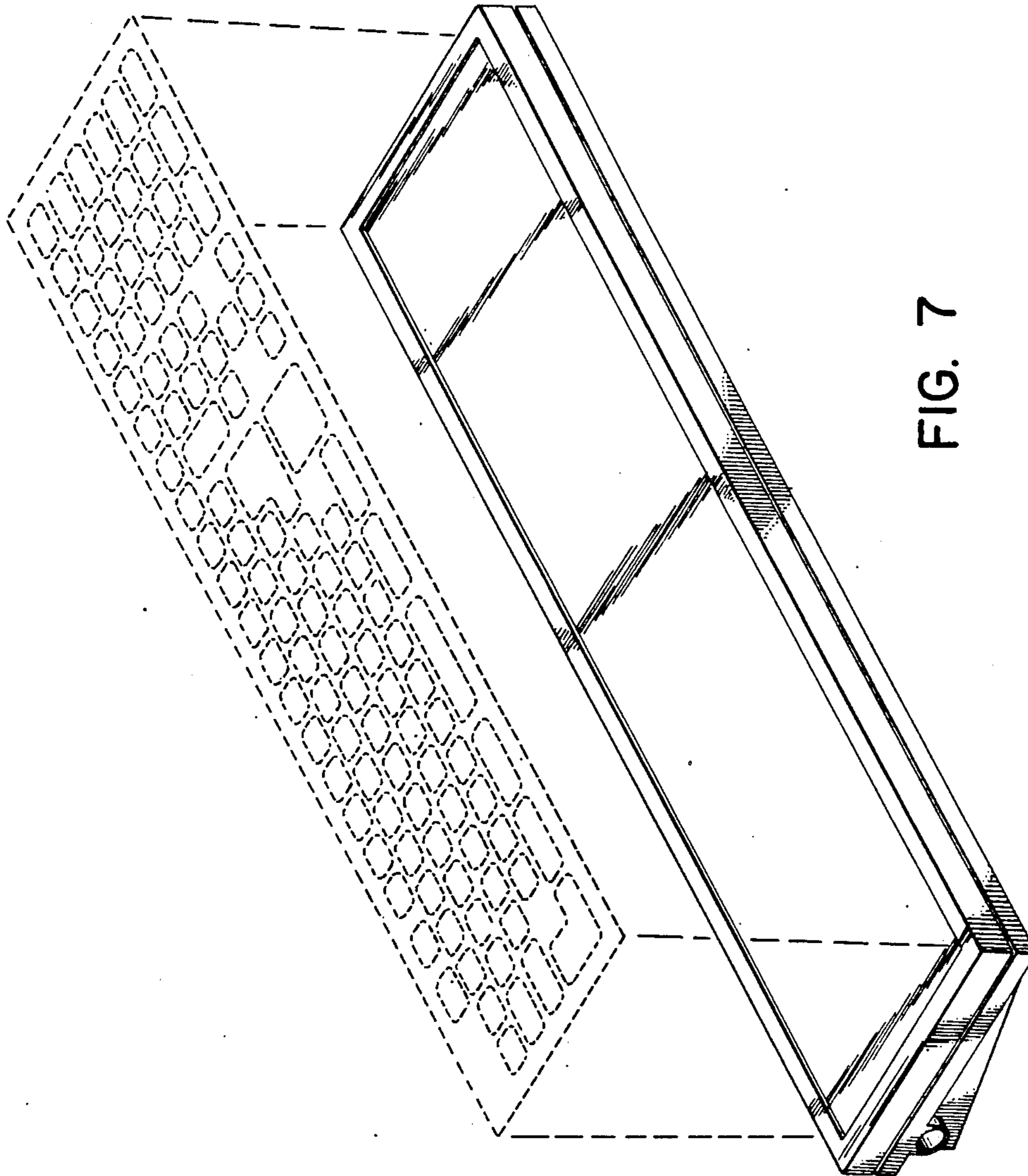


FIG. 7

