

[54] MANUAL OPERATOR FOR CIRCUIT BREAKER

[75] Inventor: Bruce C. Sdunek, Howell, Mich.

[73] Assignee: Mechanical Products, Inc., Jackson, Mich.

[**] Term: 14 Years

[21] Appl. No.: 323,981

[22] Filed: Mar. 15, 1989

[52] U.S. Cl. D13/174; D13/160; D13/169; D13/171

[58] Field of Search D13/158, 162, 168, 169, D13/171, 173, 174, 177; 200/5 R, 5 E, 18, 302.2, 315, 339, 412, 417, 514, 520, 553

[56] References Cited

U.S. PATENT DOCUMENTS

- D. 189,579 1/1961 Larkin D13/169
- D. 194,977 4/1963 Carter et al. D13/171
- D. 221,083 7/1971 Kahn D13/169 X

D. 293,779 1/1988 Dantoft D13/169 X

OTHER PUBLICATIONS

B3J Switches on p. 279 of *Allied Electronics Catalog*, 1986.

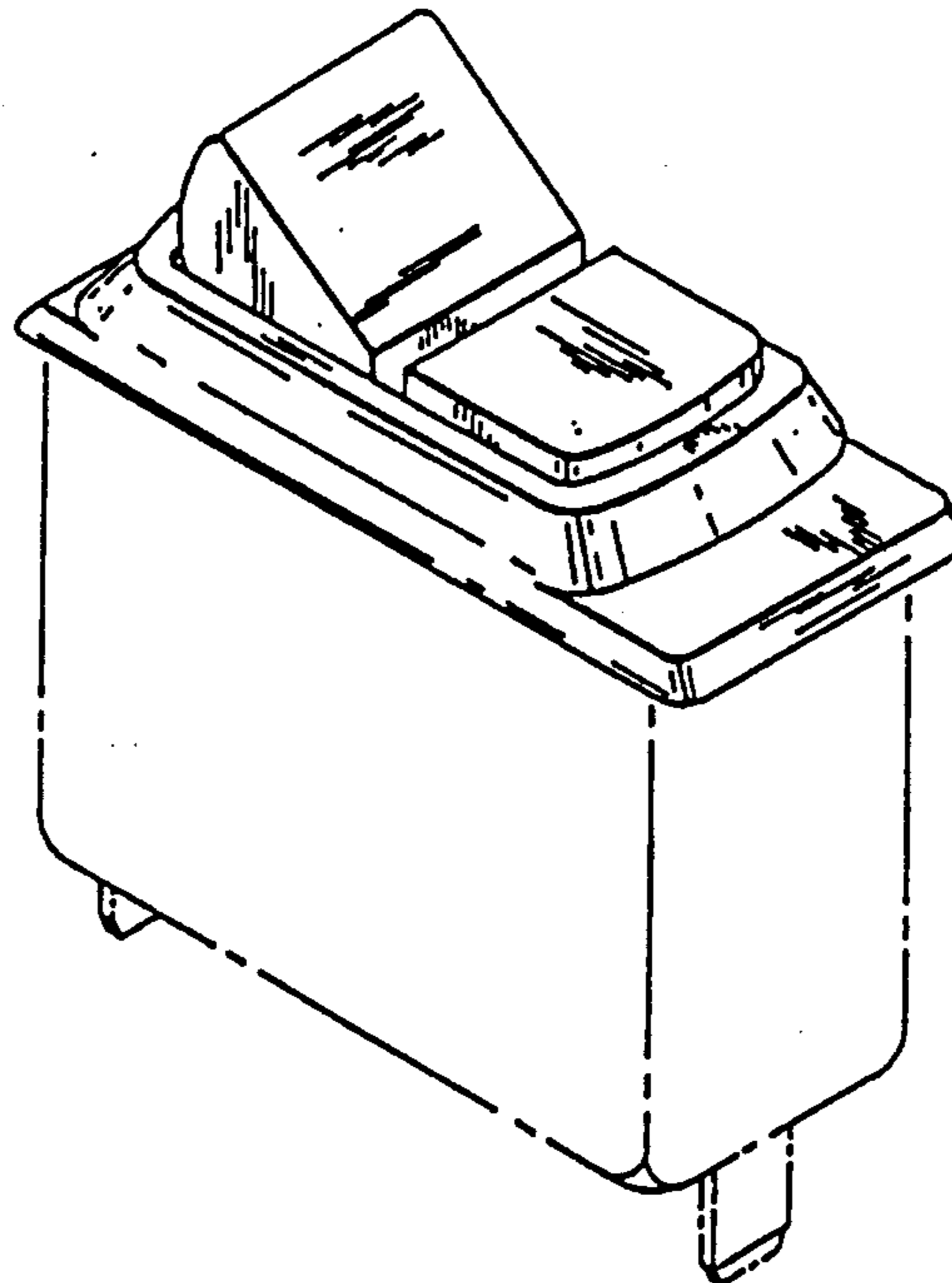
Primary Examiner—Susan J. Lucas
Assistant Examiner—Joel Sincavage
Attorney, Agent, or Firm—Lyon & Delevie

[57] CLAIM

The ornamental design for a manual operator for circuit breaker, as shown and described.

DESCRIPTION

FIG. 1 is a perspective view of a circuit breaker showing my new design, the portion shown in broken lines being for illustrative purposes only; FIG. 2 is a top plan view of the circuit breaker; FIG. 3 is a right side elevational view thereof; FIG. 4 is a front elevational view thereof, the rear elevational view being a mirror image; and FIG. 5 is a left side elevational view thereof.



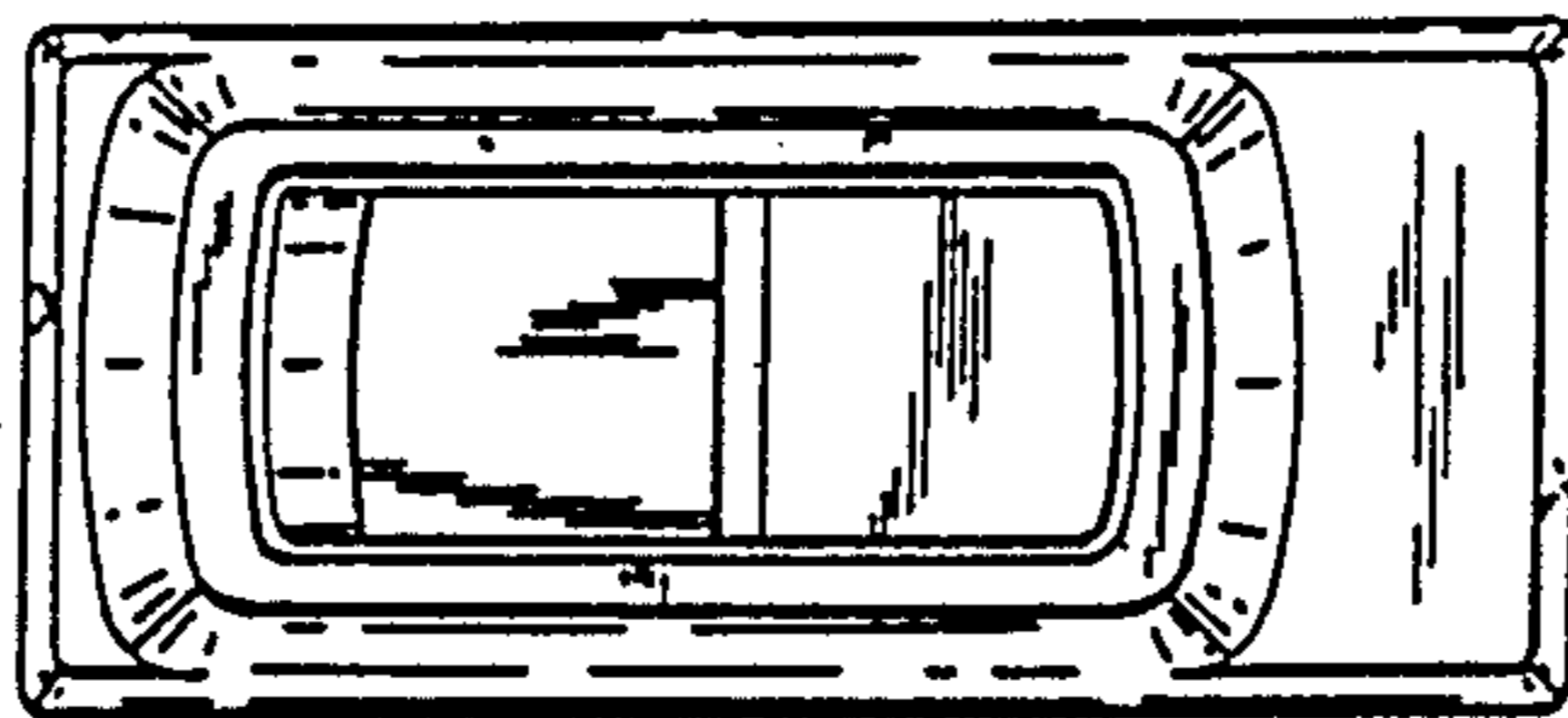
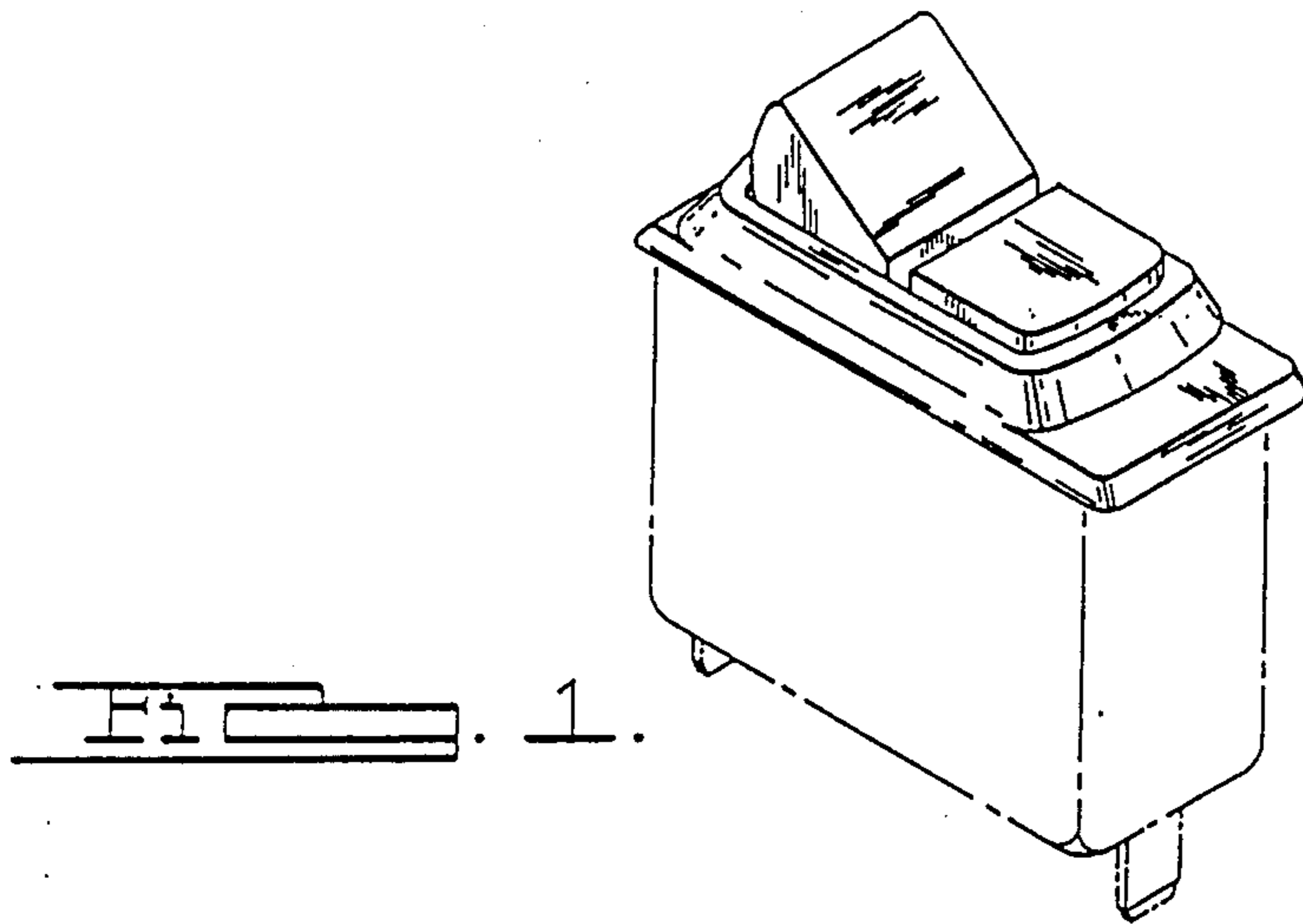


FIG. 2.

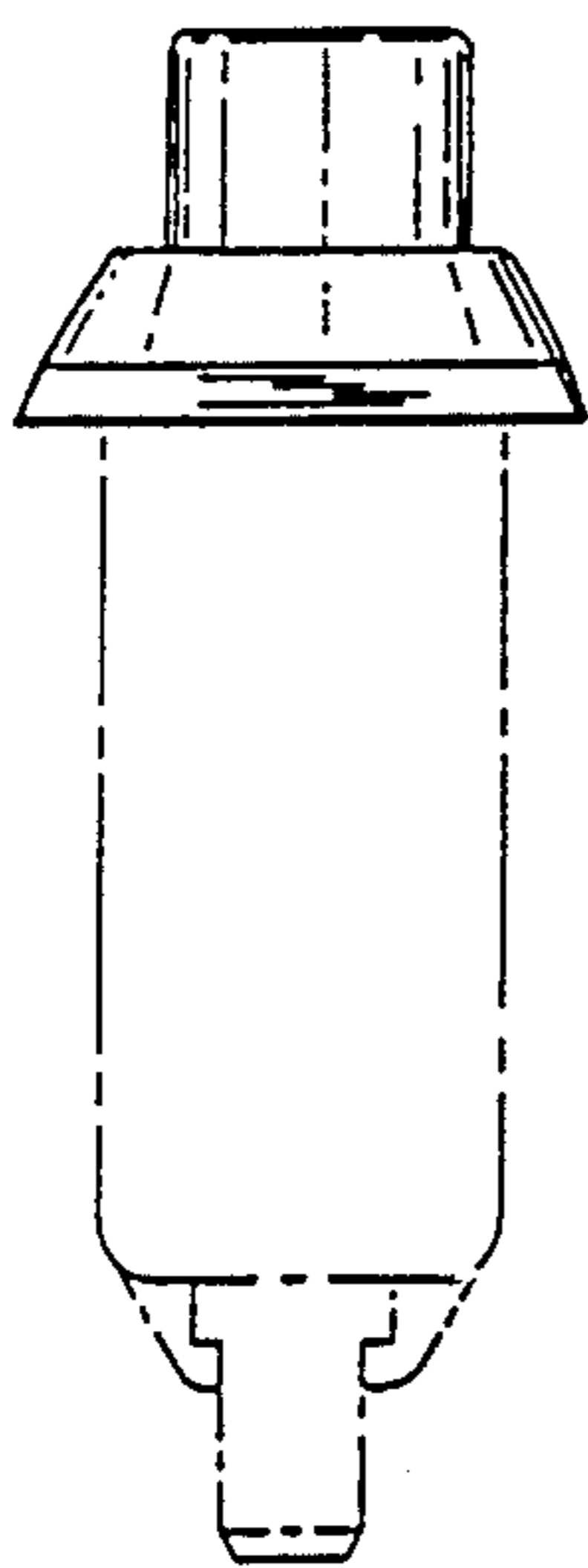


FIG. 3.

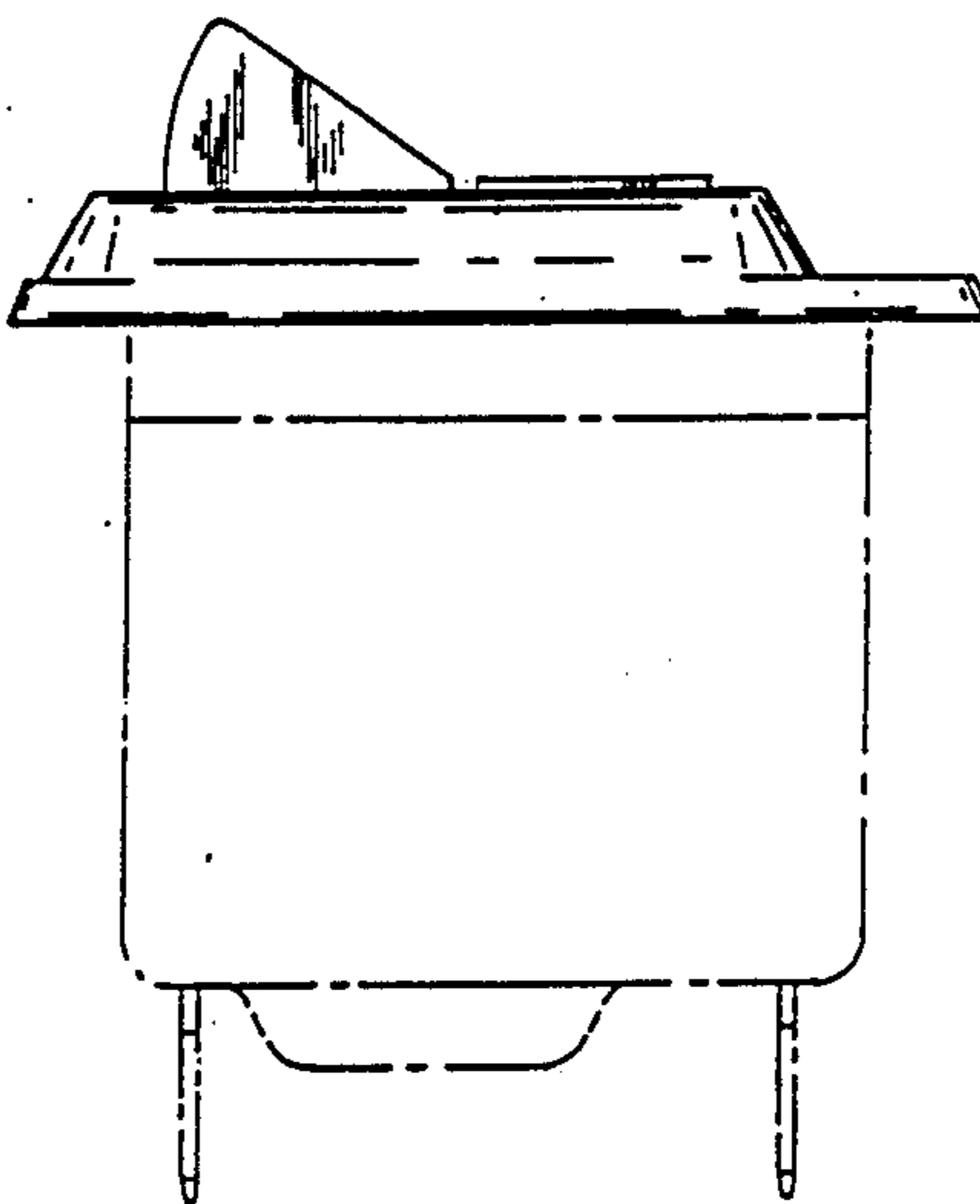


FIG. 4.

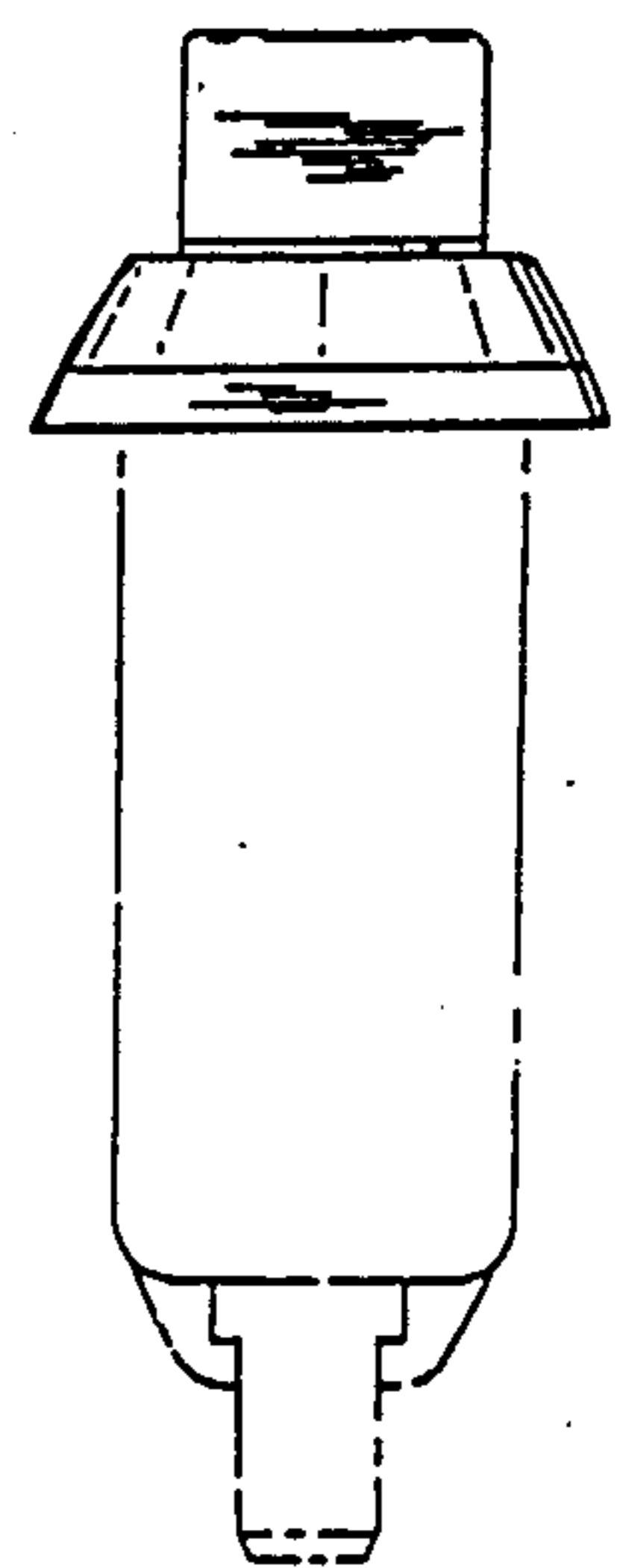


FIG. 5.