

[54] LIGHT SOCKET WITH PASSIVE INFRARED MOTION ACTUATED SWITCH

[75] Inventor: Kenneth R. Fenne, Glen Ellyn, Ill.

[73] Assignee: Pittway Corporation, Northbrook, Ill.

[**] Term: 14 Years

[21] Appl. No.: 49,085

[22] Filed: May 13, 1987

[52] U.S. Cl. D13/158; D13/134

[58] Field of Search D13/158, 165, 134, 136; 315/149, 159; 250/214, 221, 239, 483.1

[56] References Cited

U.S. PATENT DOCUMENTS

D. 296,549	7/1988	Fenne	D13/165 X
2,755,392	10/1952	Garnick	250/239
2,892,093	6/1959	Henderson	250/239 X
2,898,525	8/1959	Jacobs	250/239 X

OTHER PUBLICATIONS

Square D Remote Lamp Dimmer on p. 108 of *Hardware Age*, Aug. 1985.

Paragon Photoelectric Controlled Light Socket on p. 269 of *Hardware Age*, Aug. 1985.

Occupancy Sensor on p. 61 of *Electrical Consultant*, Jul./Aug. 1986.

Primary Examiner—Susan J. Lucas
Assistant Examiner—J. Sincavage
Attorney, Agent, or Firm—Dressler, Goldsmith, Shore, Sutker & Milnamow, Ltd.

[57] CLAIM

The ornamental design for a light socket with passive infrared motion actuated switch, as shown and described.

DESCRIPTION

FIG. 1 is a side elevational view of a light socket with passive infrared motion actuated switch showing my new design;

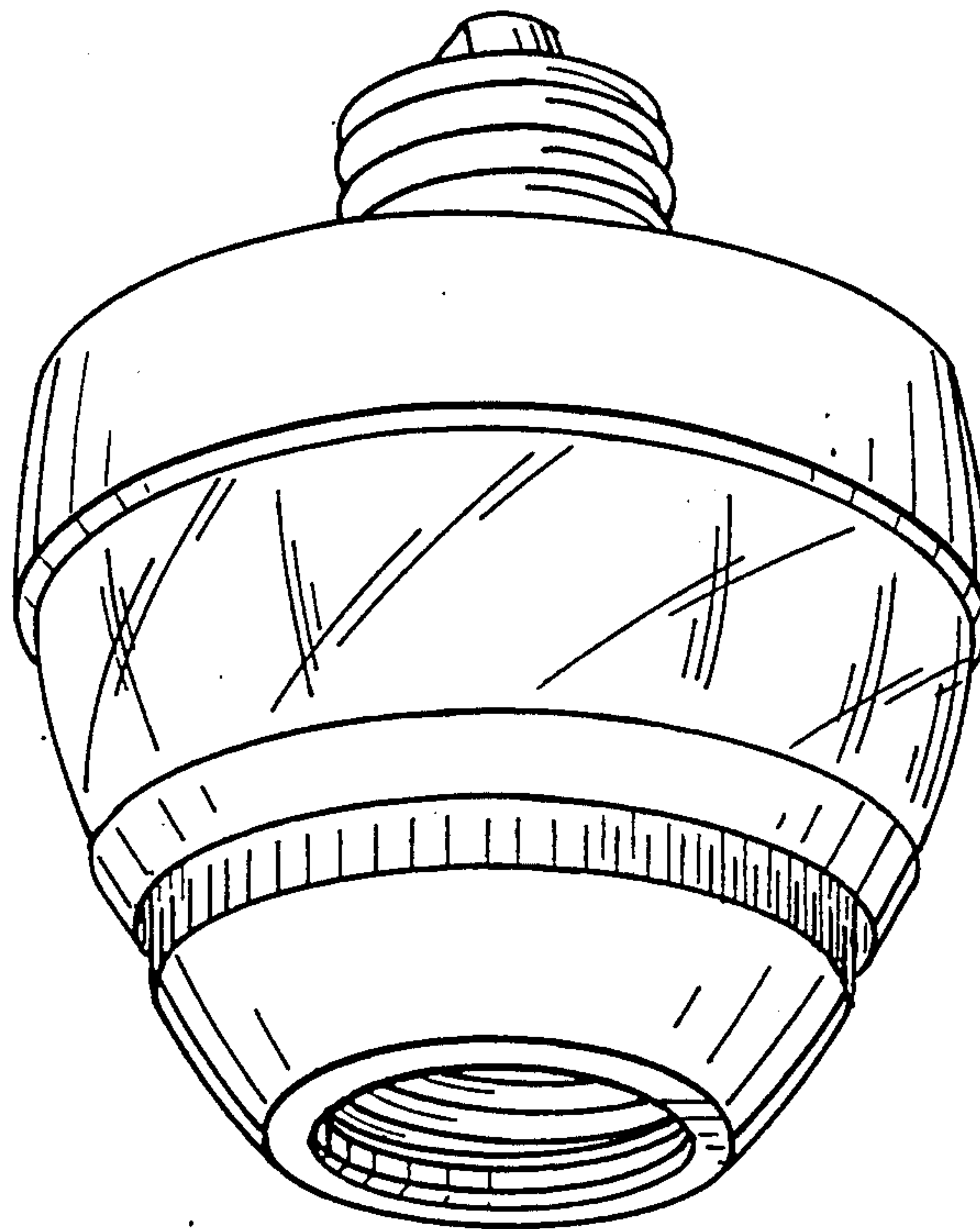
FIG. 2 is a cross-sectional view thereof taken along plane 2—2 of FIG. 1;

FIG. 3 is a bottom plan view thereof;

FIG. 4 is a top plan view thereof.

FIG. 5 is a front elevational view thereof; and

FIG. 6 is a perspective view thereof.



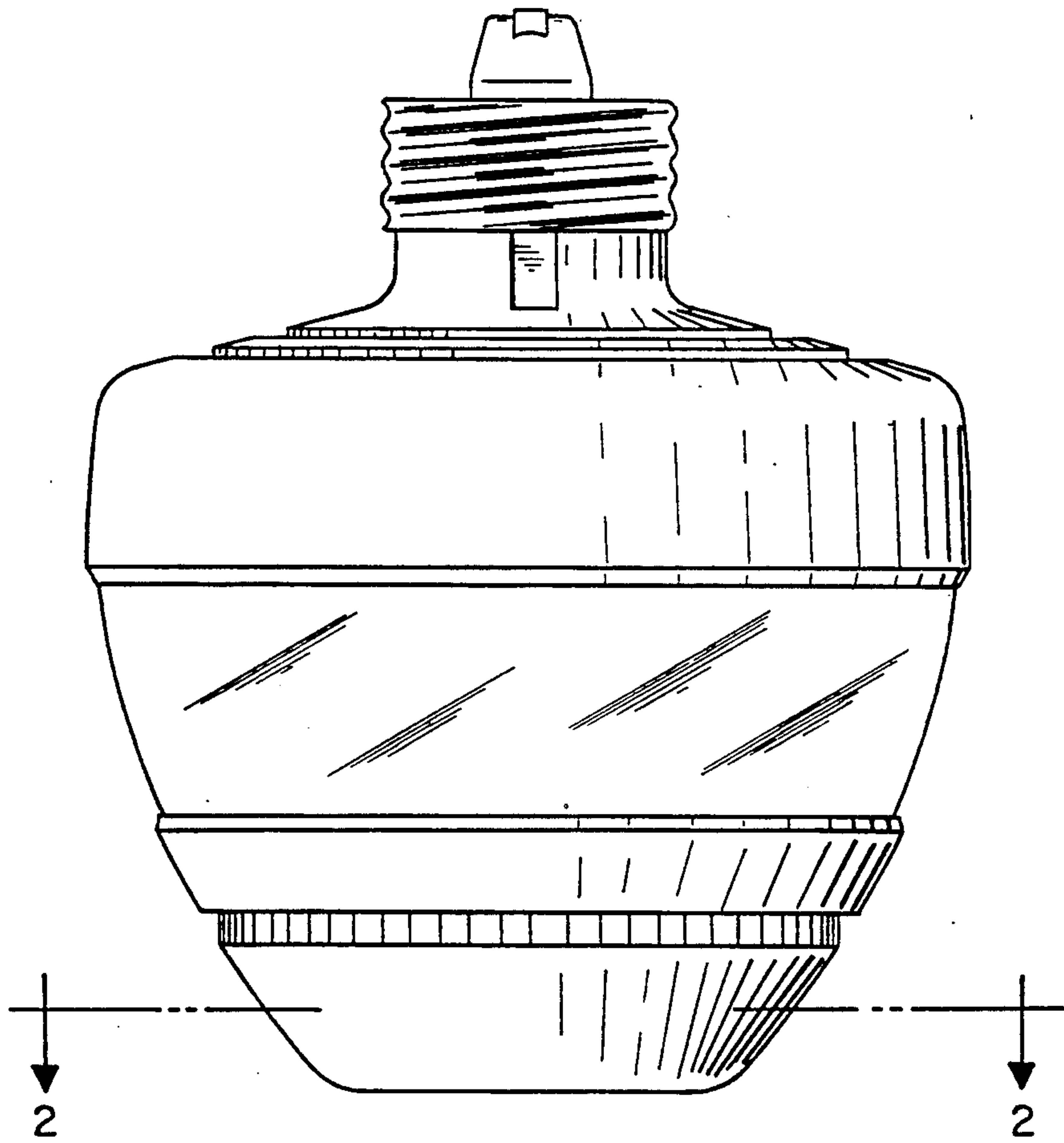


FIG. 1

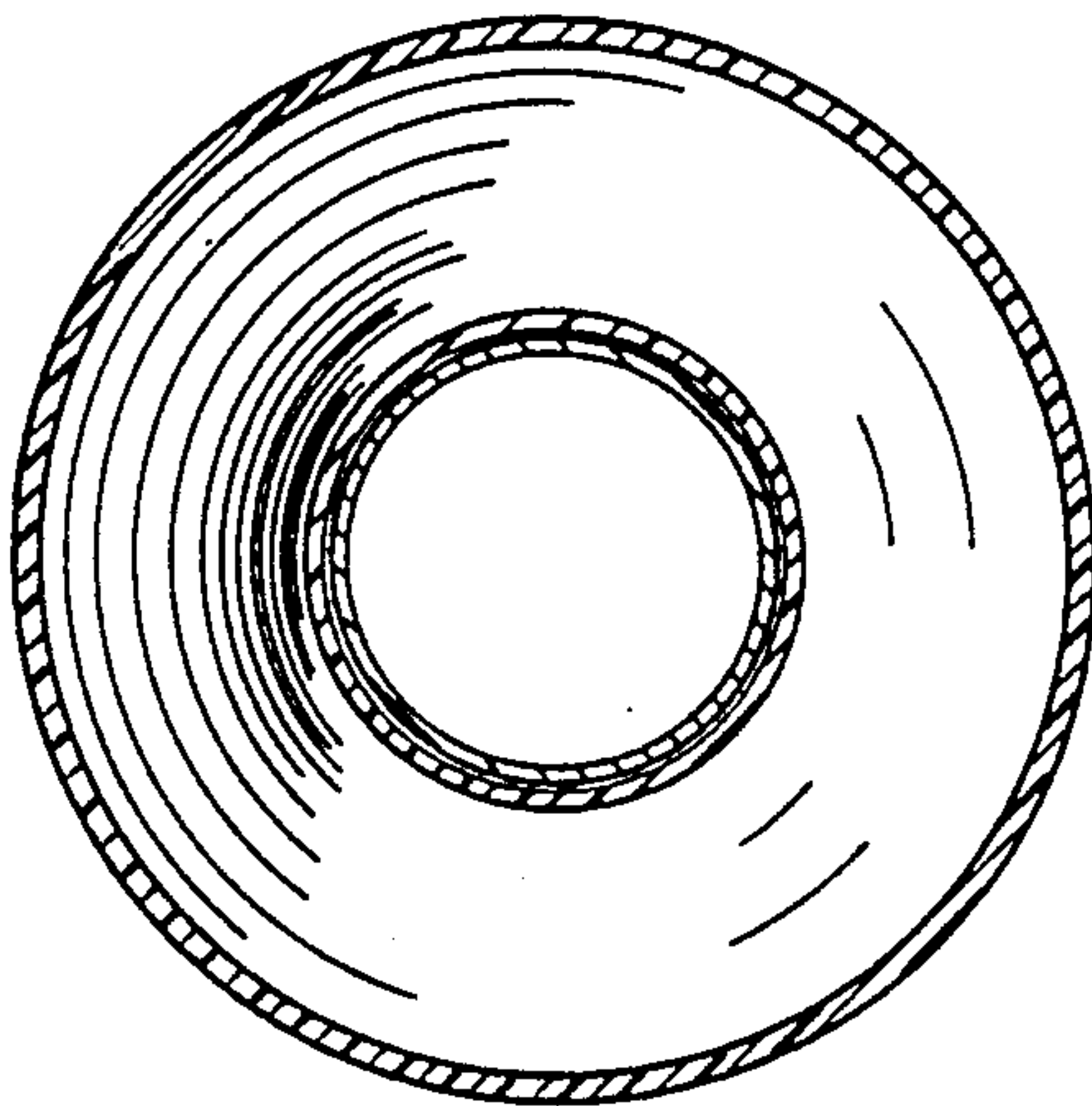


FIG. 2

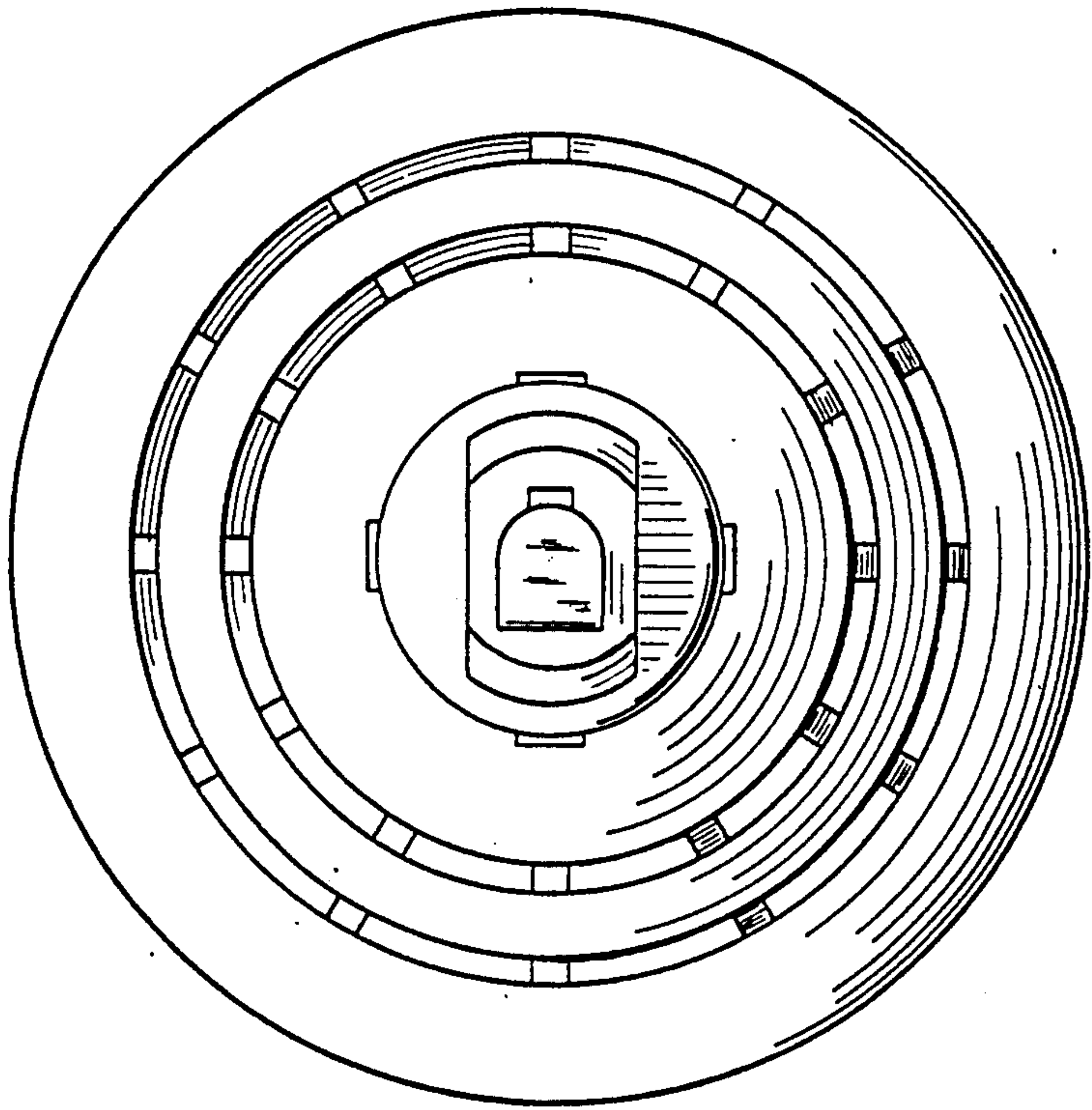


FIG. 4

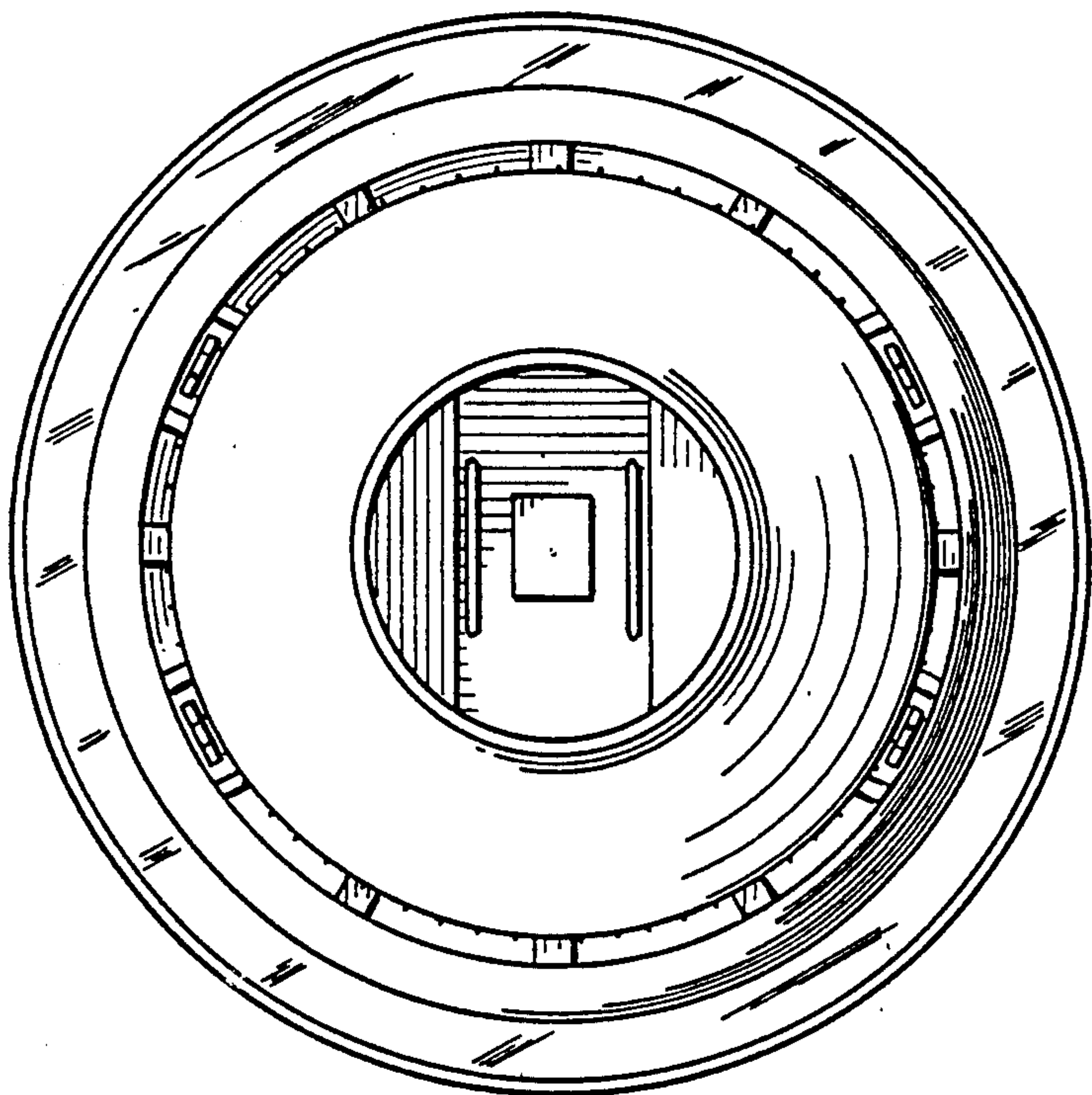


FIG. 3

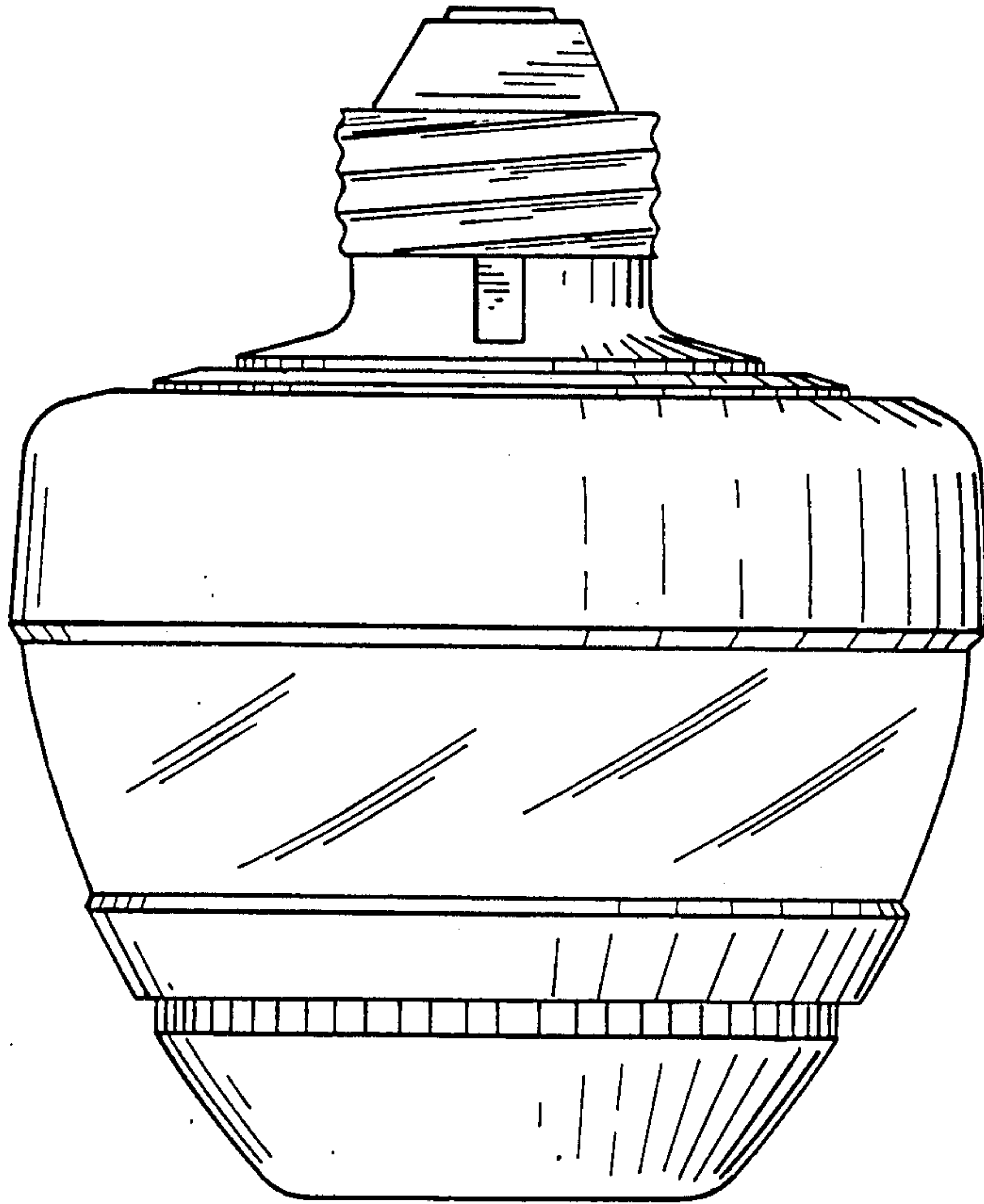


FIG. 5

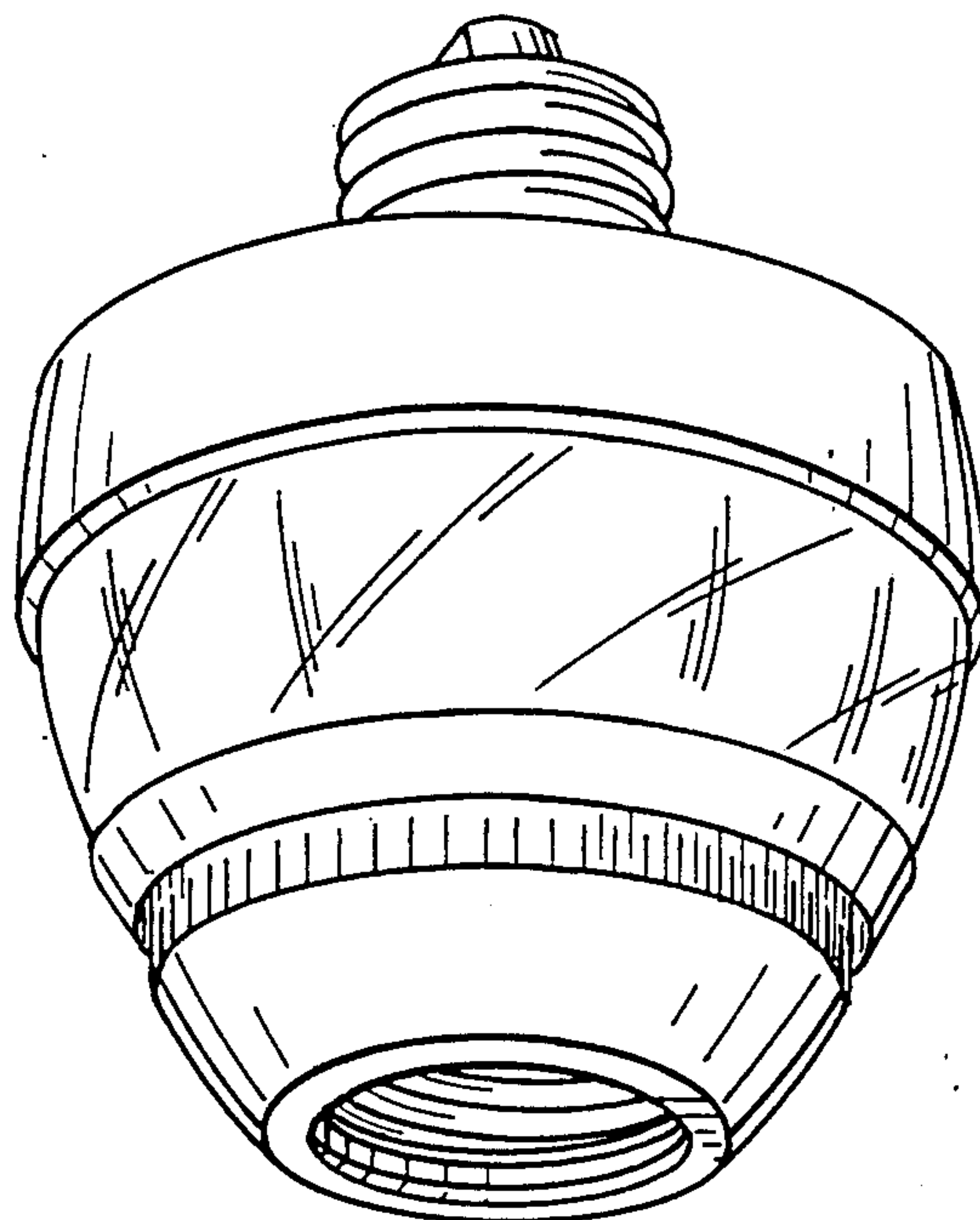


FIG. 6