

[54] BICYCLE MUD GUARD

0138298 2/1920 United Kingdom 280/152.2

[76] Inventor: Christopher J. Dunn, 690 Manzanita, Corte Madera, Calif. 94925

Primary Examiner—James M. Gandy
Assistant Examiner—Melody Brown
Attorney, Agent, or Firm—Owen, Wickersham & Erickson

[**] Term: 14 Years

[21] Appl. No.: 392,148

[57] CLAIM

[22] Filed: Aug. 10, 1989

The ornamental design for a bicycle mud guard, as shown and described.

[52] U.S. Cl. D12/186

[58] Field of Search D12/186; 280/288.4, 280/304.3, 152.1, 152.2, 152.3

DESCRIPTION

[56] References Cited

U.S. PATENT DOCUMENTS

- D. 298,820 12/1988 Breen et al. D12/186
- D. 305,114 12/1989 Paduganan D12/186
- 606,359 6/1898 Reid 280/152.3
- 621,441 3/1899 Behrend 280/152.3

FOREIGN PATENT DOCUMENTS

- 0026291 of 1896 United Kingdom 280/152.3

FIG. 1 is a perspective view of a bicycle mud guard showing my new design, it being understood that the broken lines are for illustrative purposes only and form no part of the claimed design;

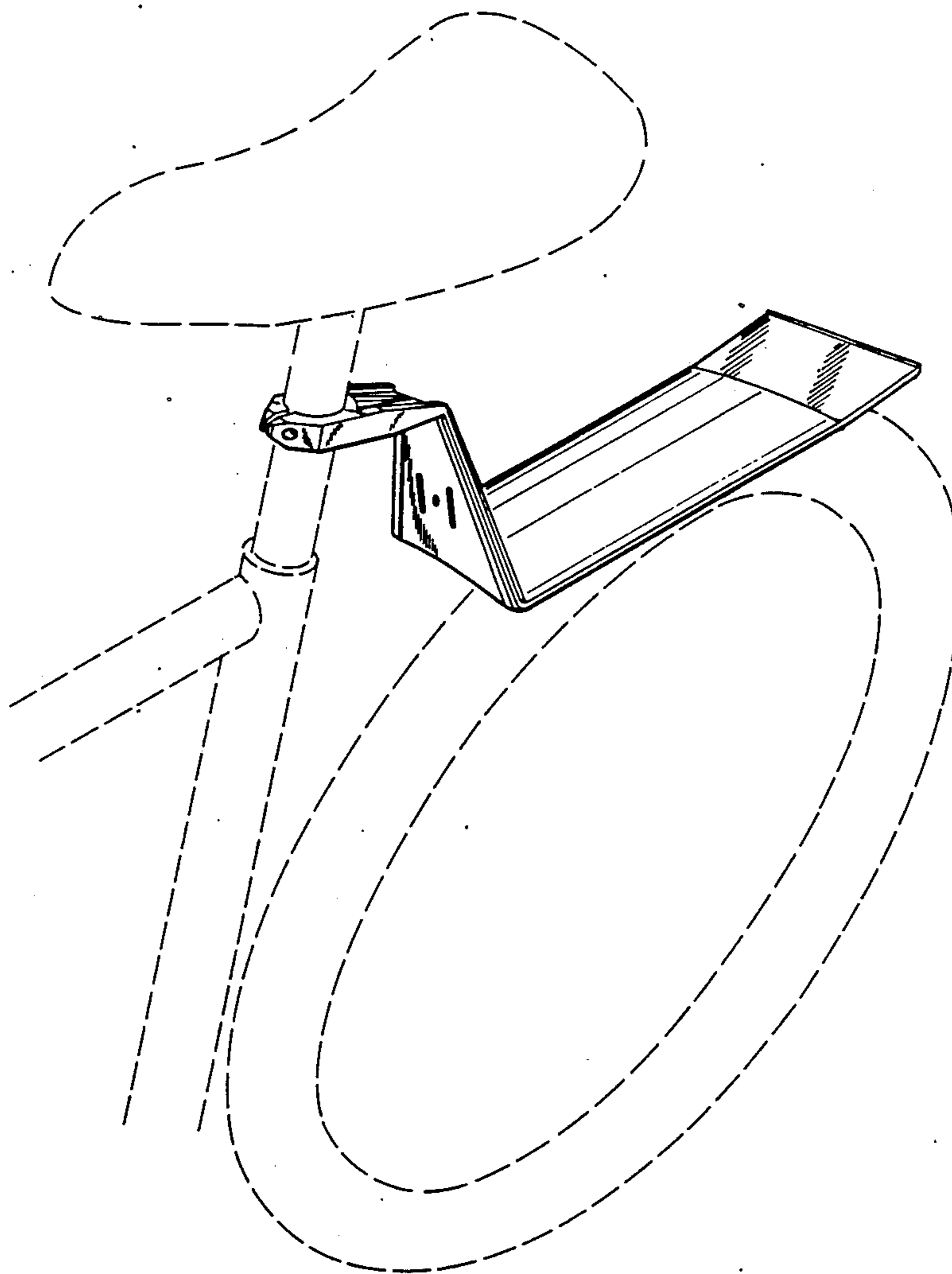
FIG. 2 is a top plan view thereof;

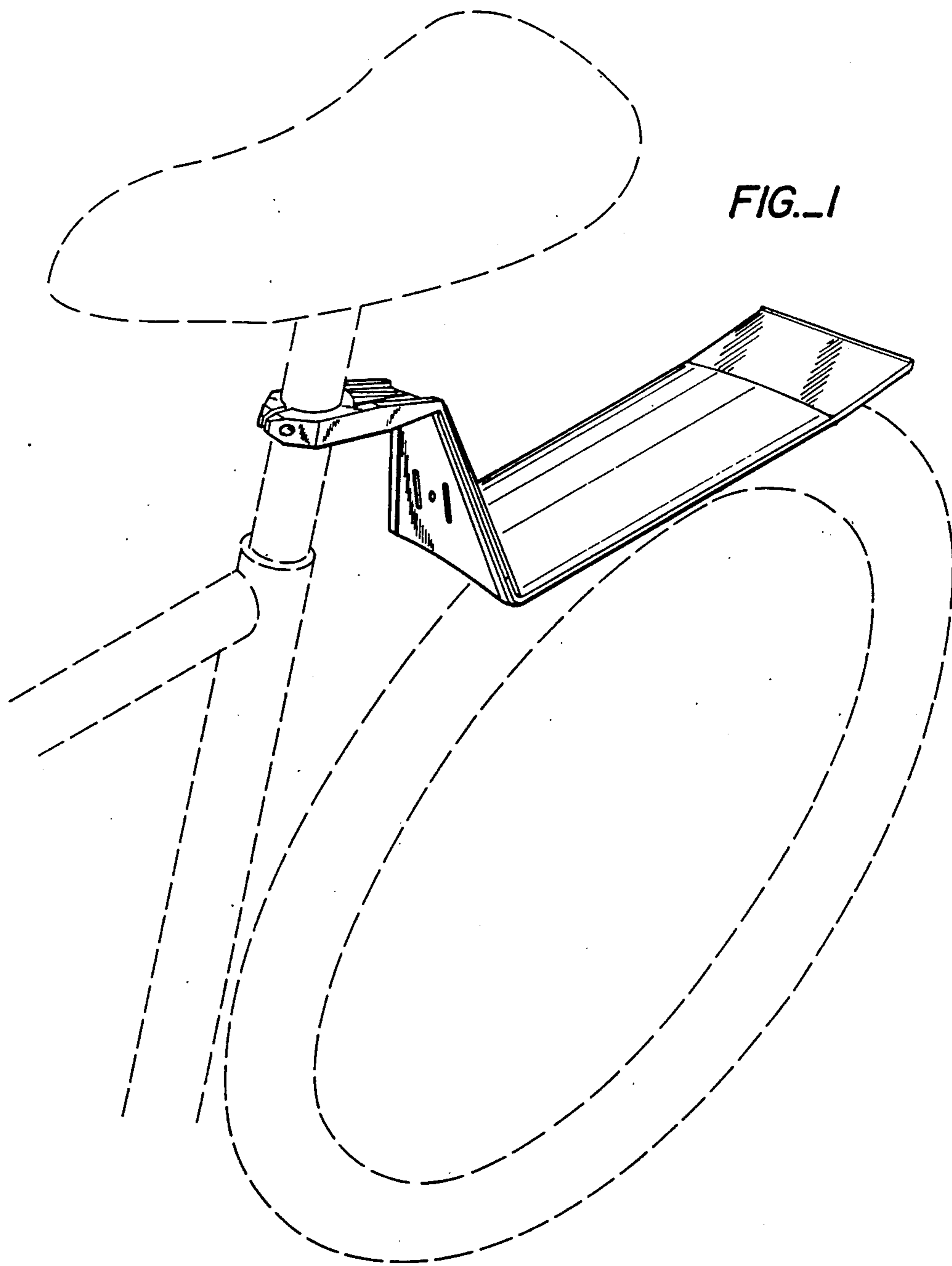
FIG. 3 is a bottom plan view thereof;

FIG. 4 is a front elevational view thereof;

FIG. 5 is a rear elevational view thereof; and

FIG. 6 is a side elevational view thereof, the opposite side being a mirror image of that shown.





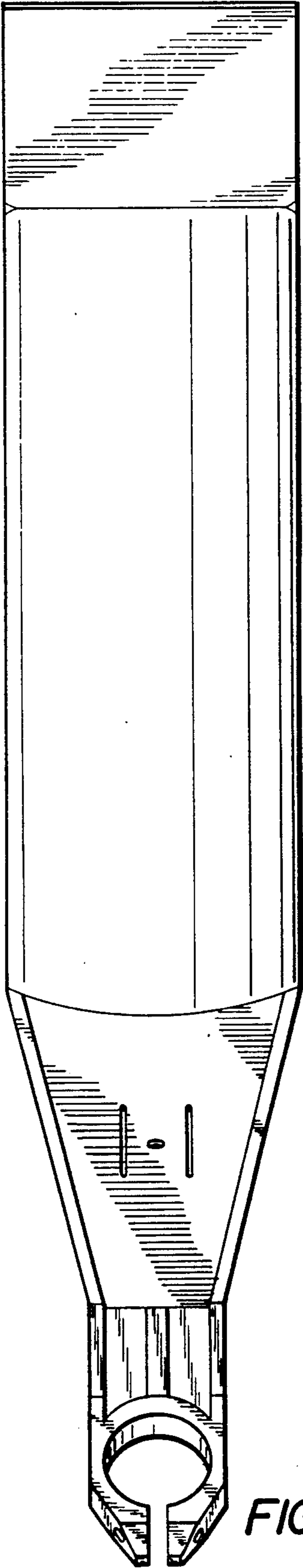


FIG. 2

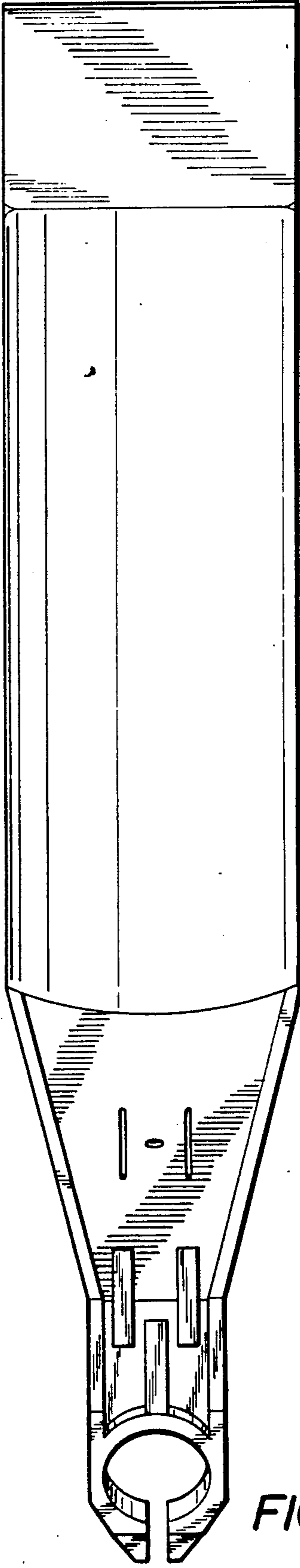


FIG. 3

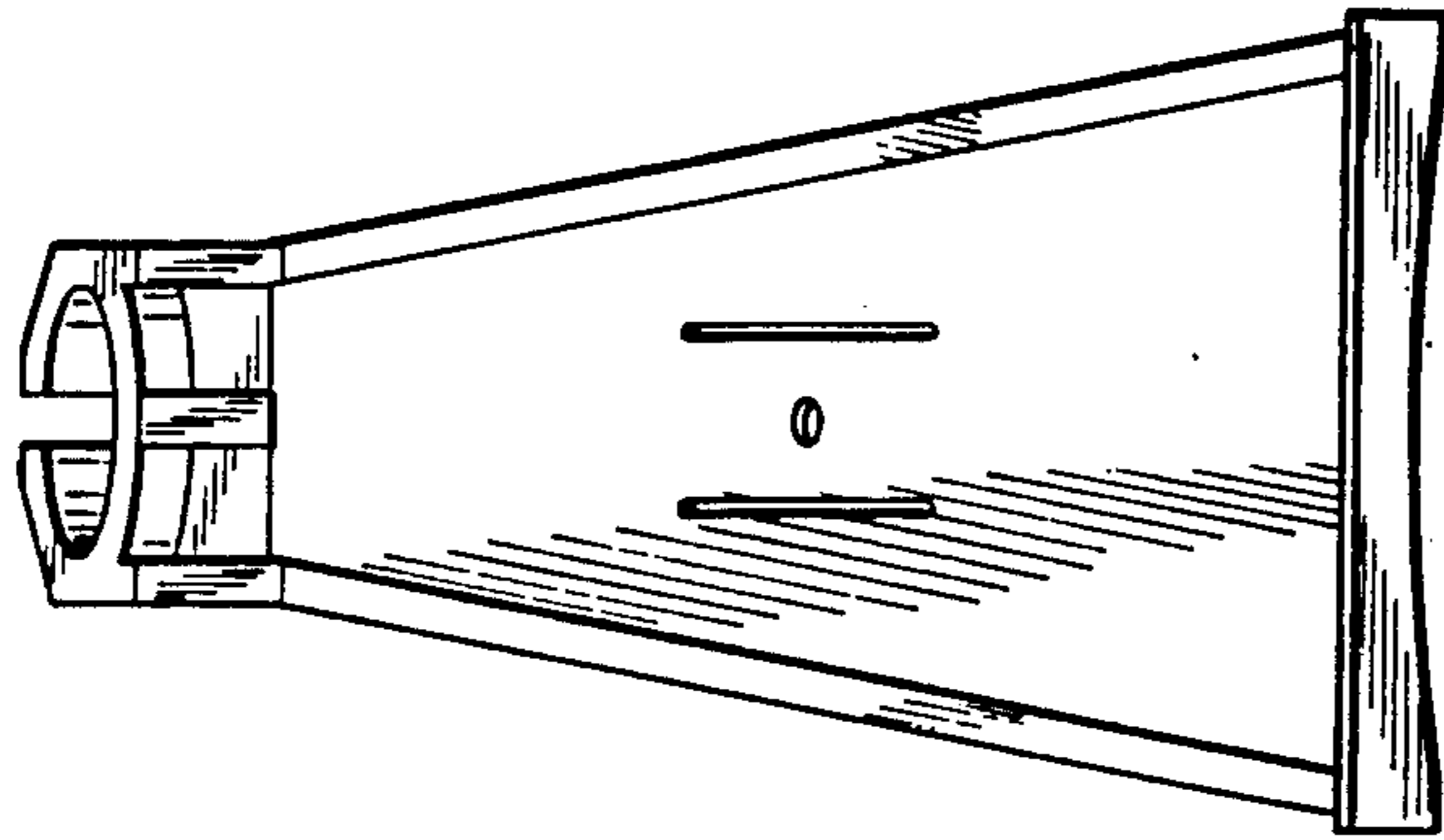


FIG. 5

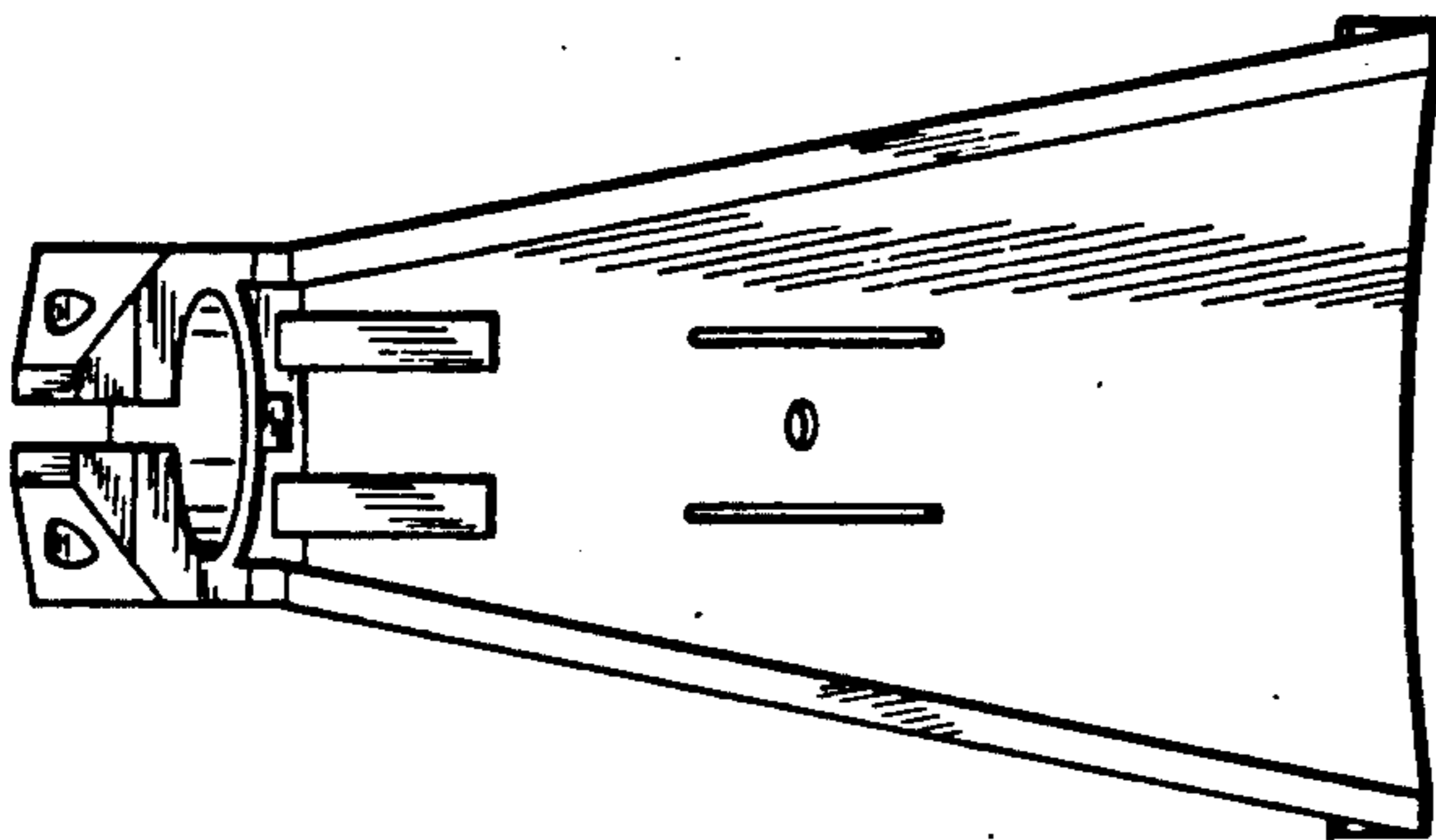


FIG. 4

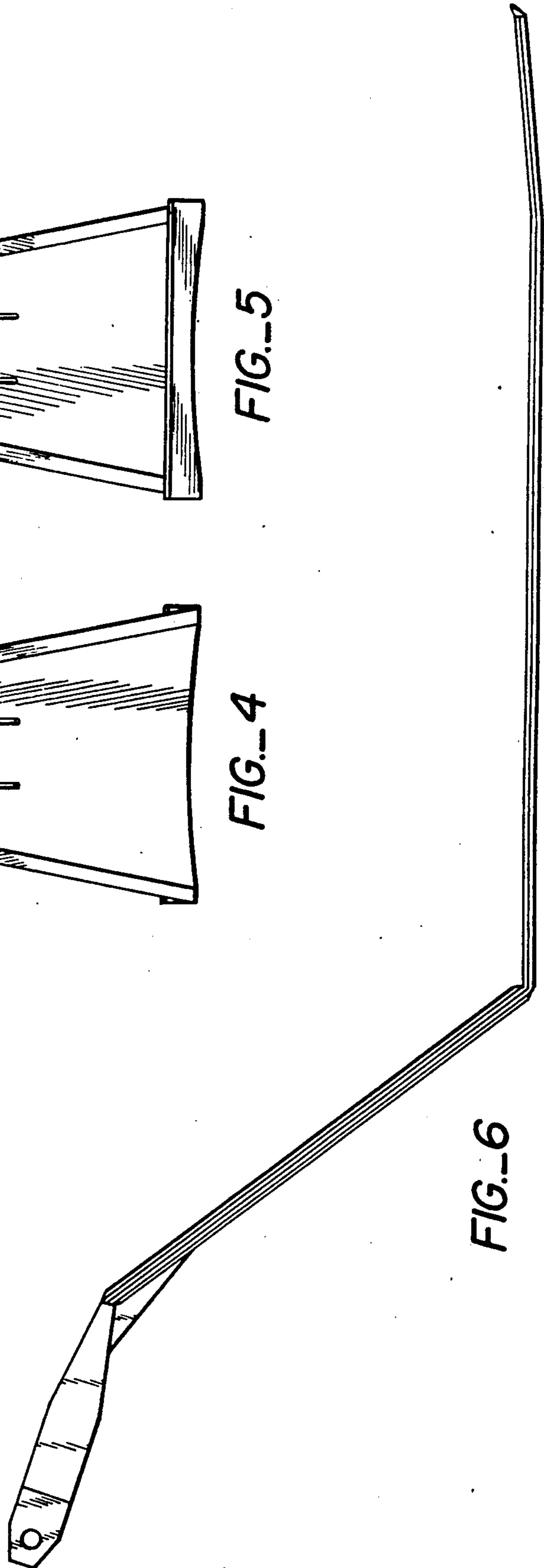


FIG. 6