

United States Patent [19]

Kapp et al.

[11] Patent Number: **Des. 320,587**

[45] Date of Patent: **** Oct. 8, 1991**

[54] **OVERHEAD CONSOLE**

[75] Inventors: **Gregory W. Kapp, St. Joseph;**
Michael L. Ives, Coloma, both of
Mich.

[73] Assignee: **Innocorp Manufacturing, Inc.,**
Coloma, Mich.

[**] Term: **14 Years**

[21] Appl. No.: **351,163**

[22] Filed: **May 12, 1989**

[52] U.S. Cl. **D12/155**

[58] Field of Search **D12/155; 296/37.7, 37.8,**
296/70; 180/90

[56] **References Cited**

U.S. PATENT DOCUMENTS

D. 260,507 9/1981 Kosuei et al. D12/155
3,773,378 11/1973 Lewis D12/155

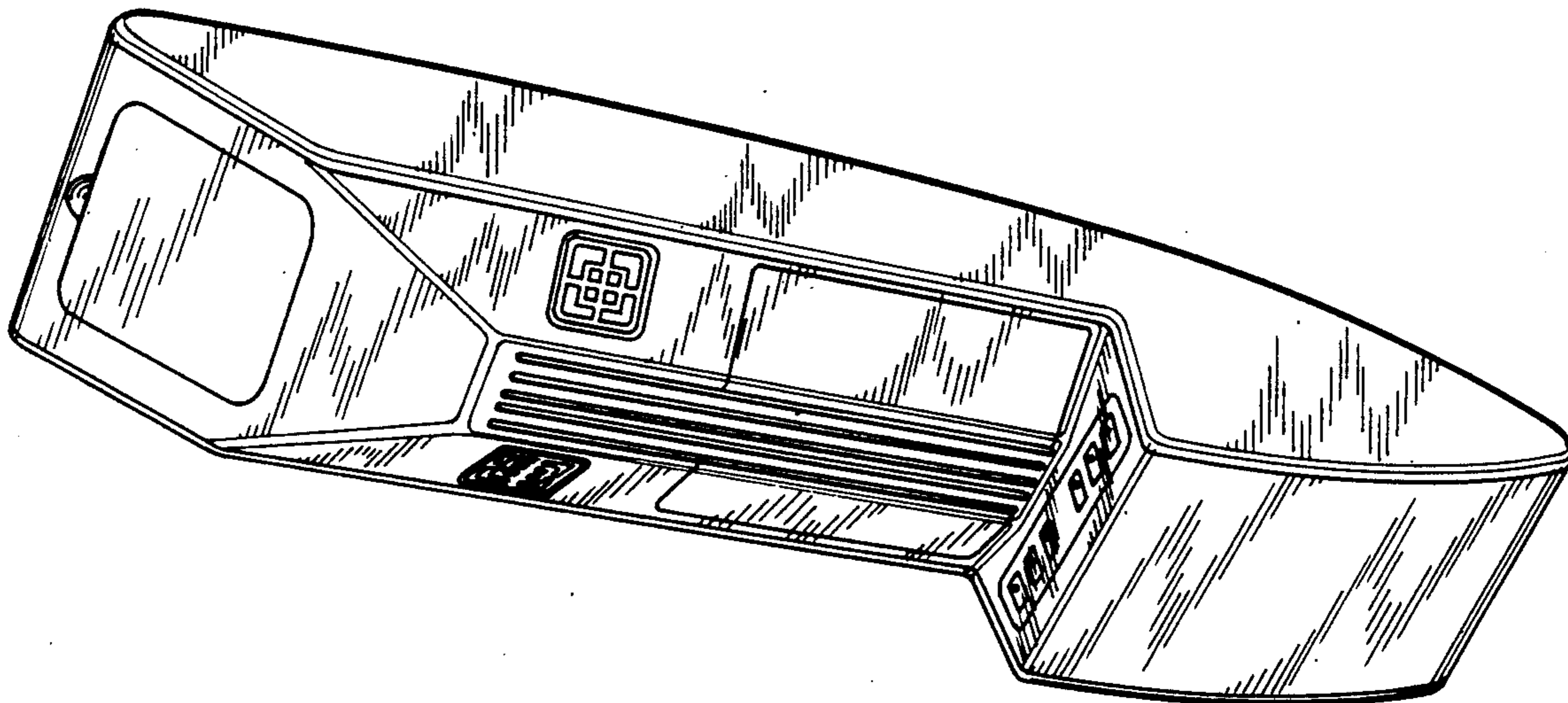
Primary Examiner—James M. Gandy
Attorney, Agent, or Firm—Flynn, Thiel, Boutell & Tanis

[57] **CLAIM**

The ornamental design for an overhead console, as shown.

DESCRIPTION

FIG. 1 is a bottom right perspective view of an overhead console embodying our design;
FIG. 2 is an enlarged bottom plan view thereof;
FIG. 3 is an enlarged right end elevation view thereof;
FIG. 4 is an enlarged left end elevation view thereof;
and
FIG. 5 is an enlarged left side elevation view thereof.



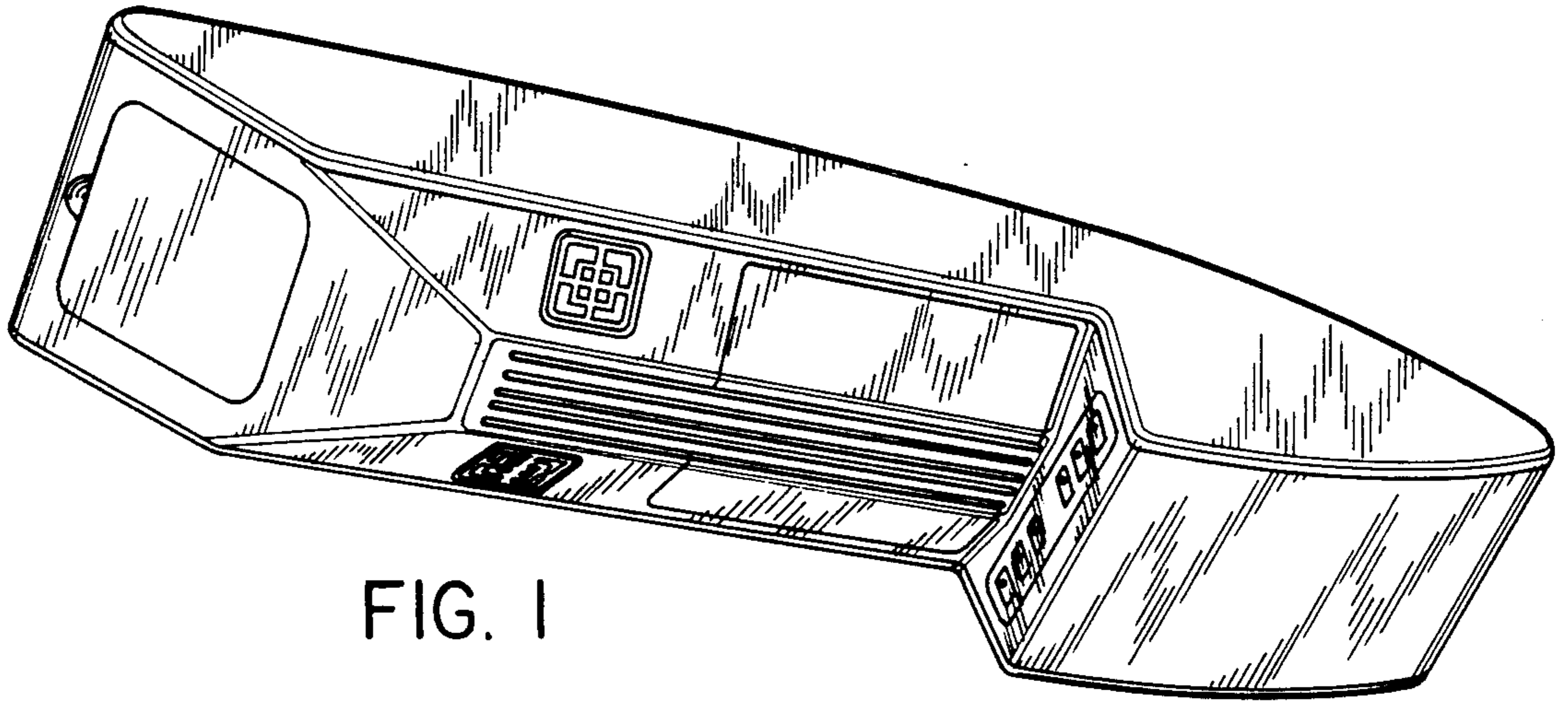


FIG. 1

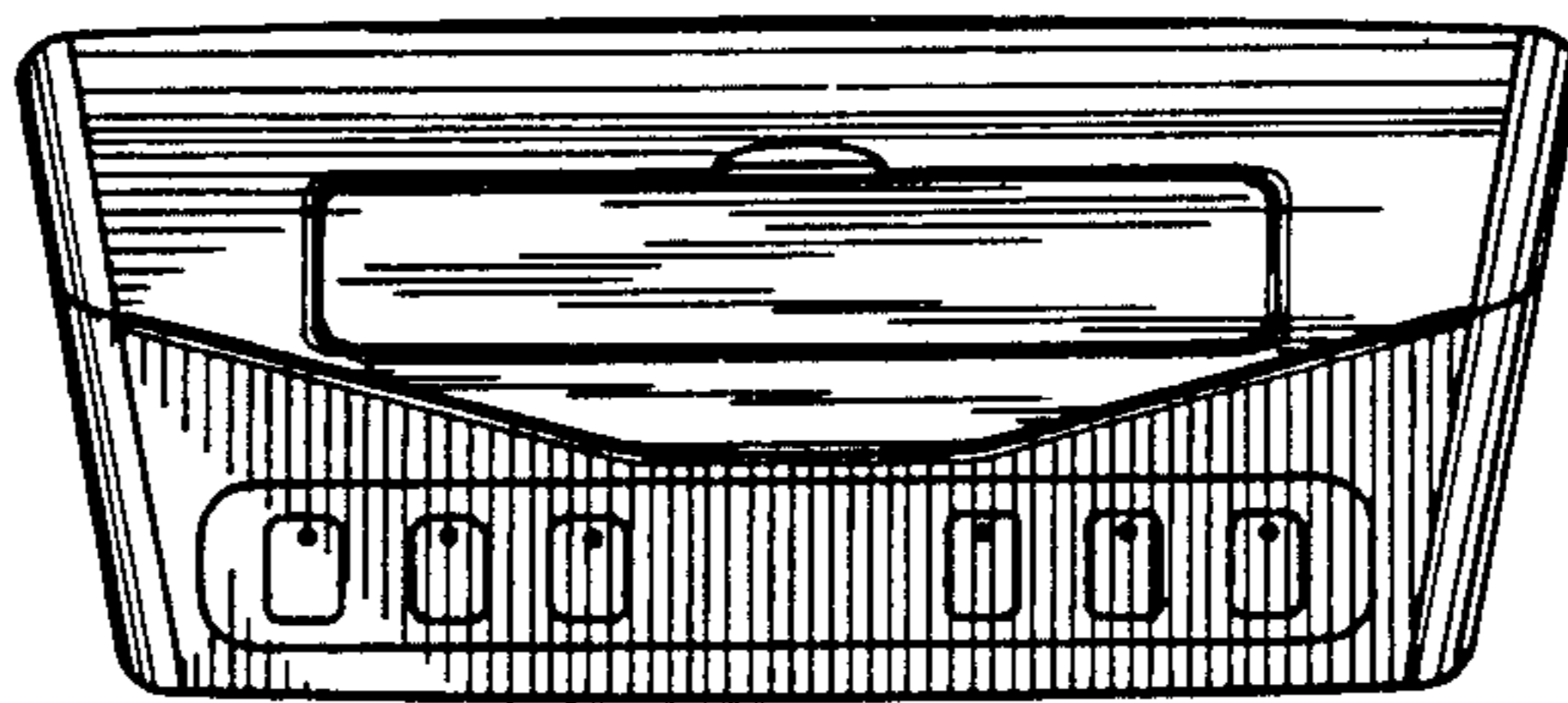


FIG. 4

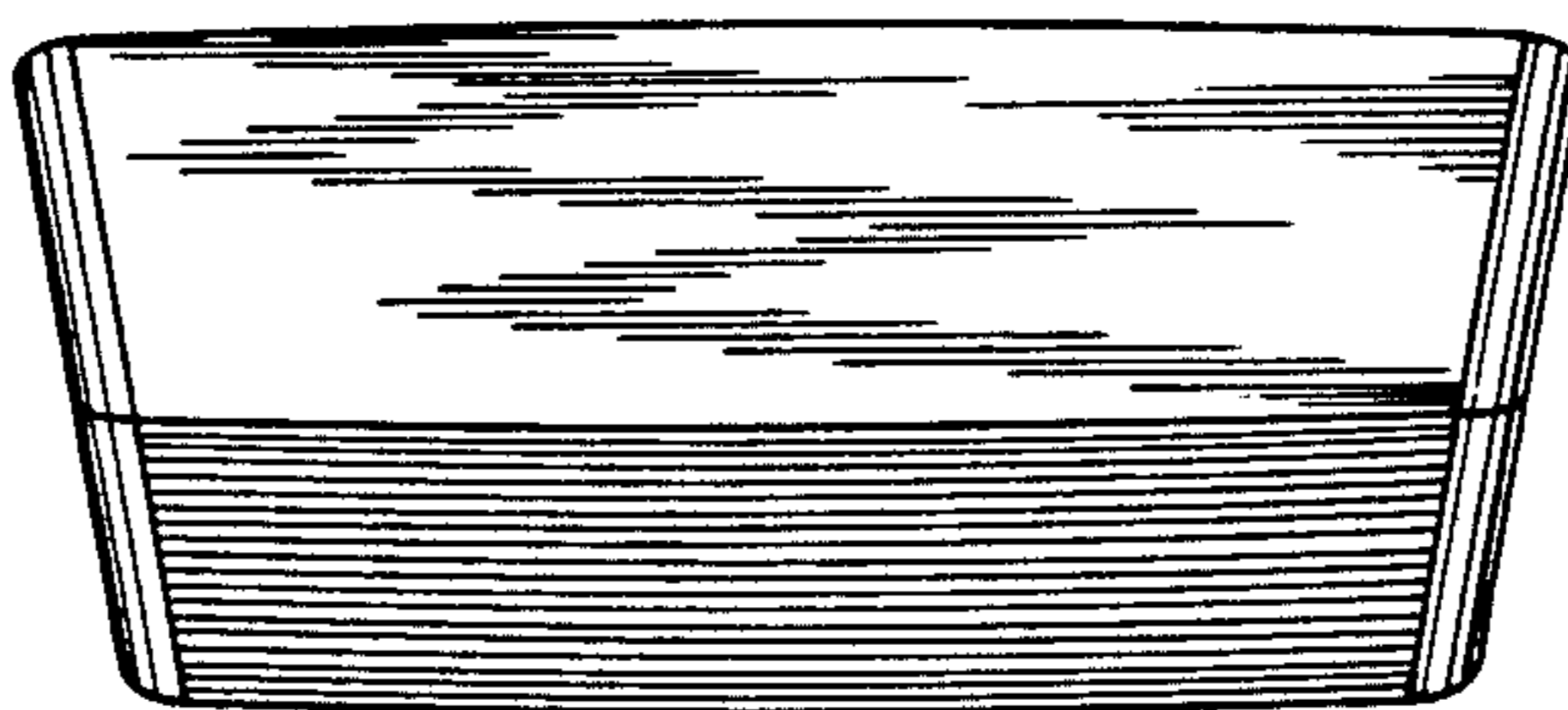


FIG. 3

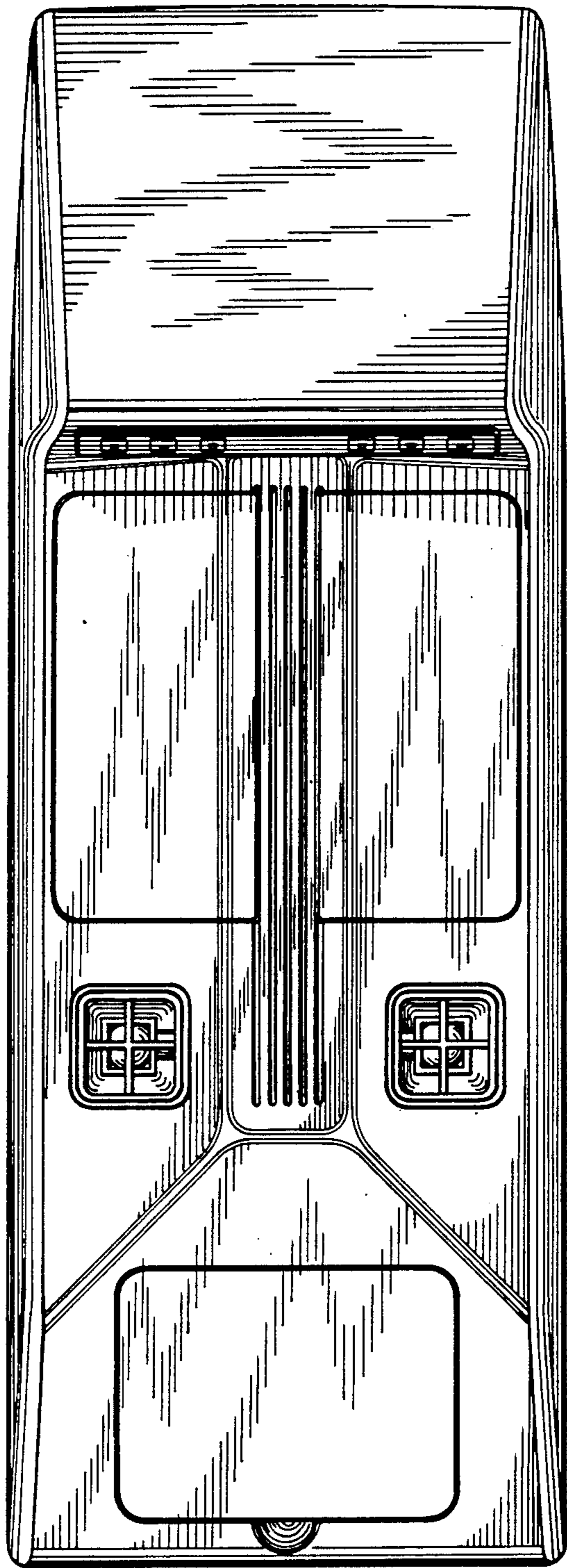


FIG. 2



FIG. 5