

[54] **MOTORIZED INVALID CHAIR TRANSPORT VEHICLE**

[76] Inventors: **Robert M. Manning; Suzan M. Manning**, both of 1505 W. 25th St., #114-A, Sanford, Fla. 32773

[**] Term: **14 Years**

[21] Appl. No.: **313,817**

[22] Filed: **Feb. 23, 1989**

[52] U.S. Cl. **D12/1**

[58] Field of Search **D12/1, 131, 133; 180/9.22, 8.2, DIG. 90.7, 9.26; 280/5.22**

4,566,706 1/1986 Bihler 280/5.22
 4,674,584 6/1987 Watkins 180/9.22
 4,771,839 9/1988 Misawa 180/9.22
 4,960,180 10/1990 Livingston 180/907

FOREIGN PATENT DOCUMENTS

0202171 11/1983 Japan 180/8.2
 0221779 12/1983 Japan 180/8.2

Primary Examiner—James M. Gandy
Assistant Examiner—Melody Brown
Attorney, Agent, or Firm—Terry M. Gernstein

[57] **CLAIM**

The ornamental design for a motorized invalid chair transport vehicle, as shown.

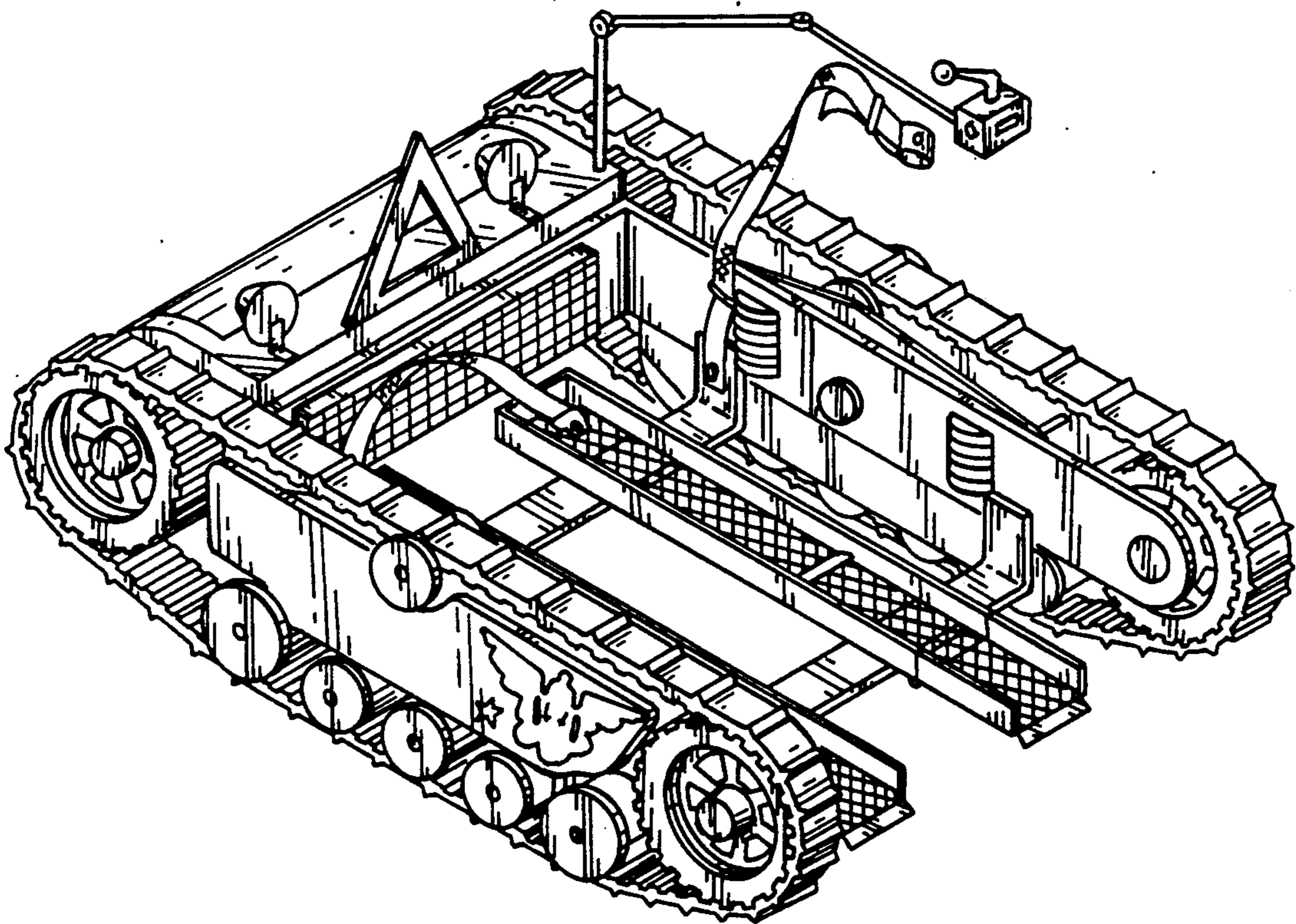
DESCRIPTION

FIG. 1 is a side perspective view of a motorized invalid chair transport vehicle showing our new design; FIG. 2 is a top plan view thereof; FIG. 3 is a rear elevational view thereof; and FIG. 4 is a front elevational view thereof. The securing strap and controller arm are shown in alternate positions in all four views of the drawing for convenience of illustration.

[56] **References Cited**

U.S. PATENT DOCUMENTS

2,592,023	4/1952	Gleason	280/5.22
2,765,860	10/1956	Church	280/5.22
3,068,950	12/1962	Davidson	280/5.22
3,231,036	1/1966	Appenrodt	280/5.22
3,259,200	7/1966	Majjala	280/5.22
4,044,850	8/1977	Winsor	180/9.26
4,194,584	3/1989	Kress	280/5.22
4,401,178	8/1983	Studer	280/5.22



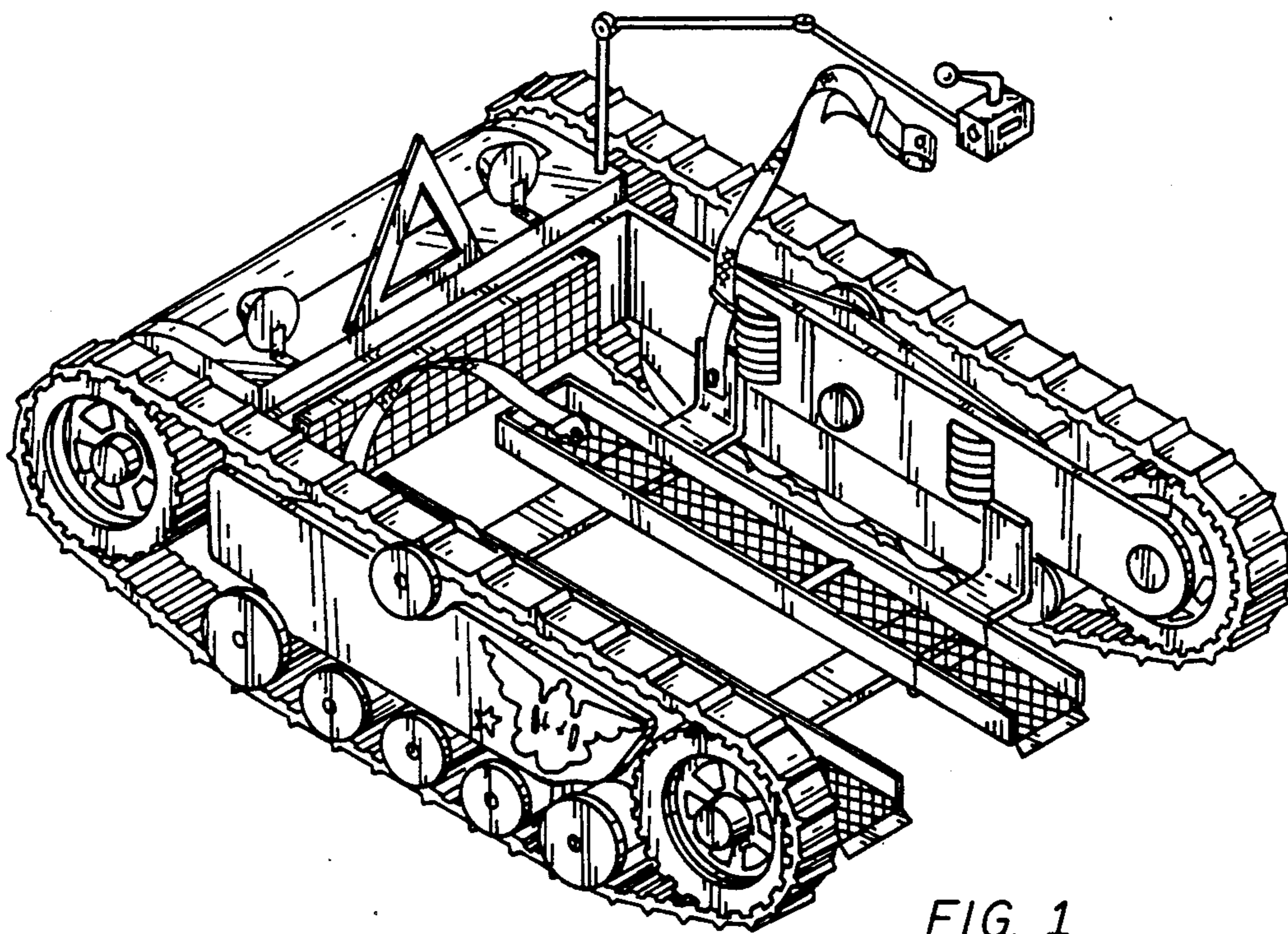


FIG. 1

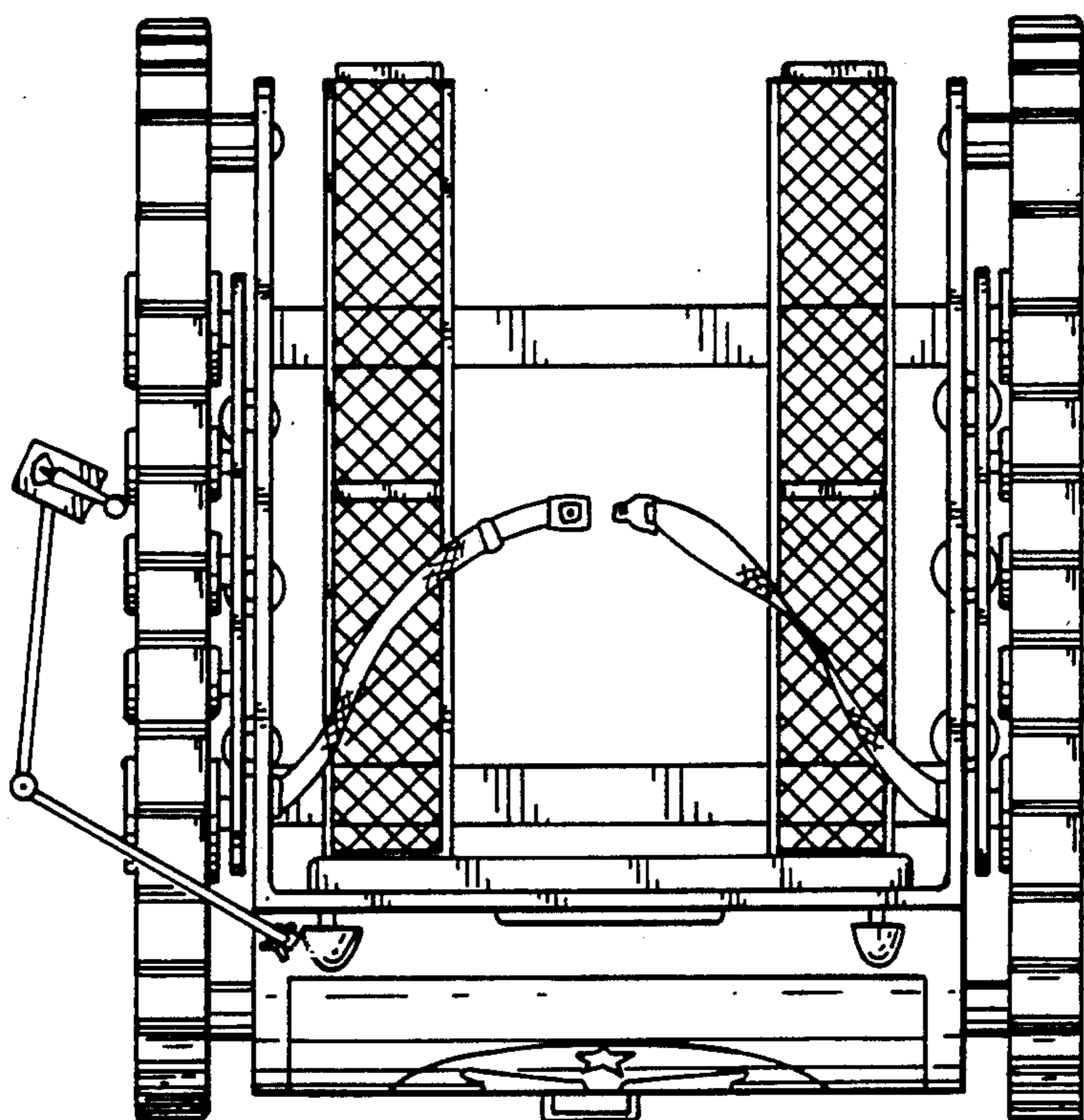


FIG. 2

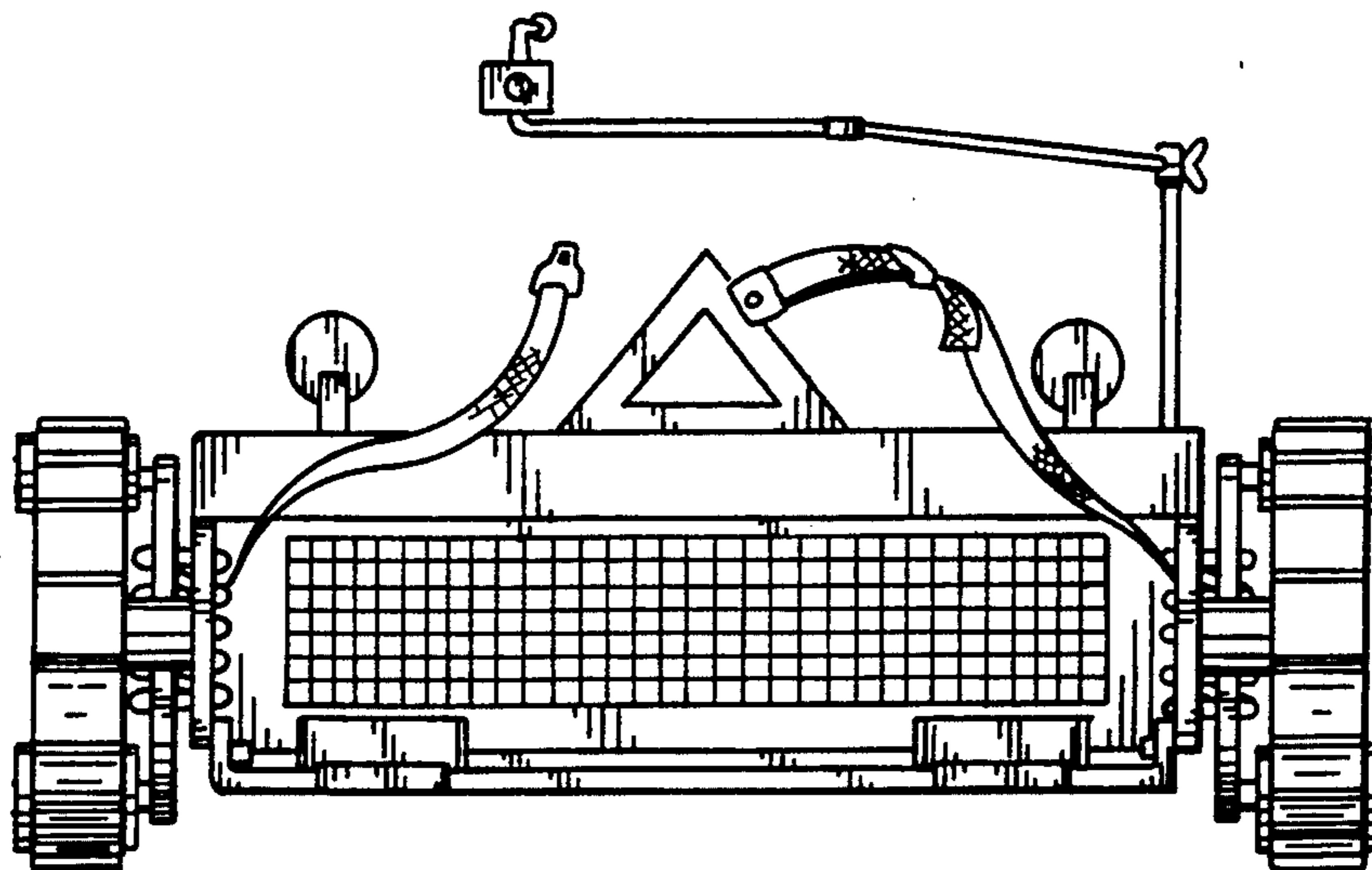


FIG. 3

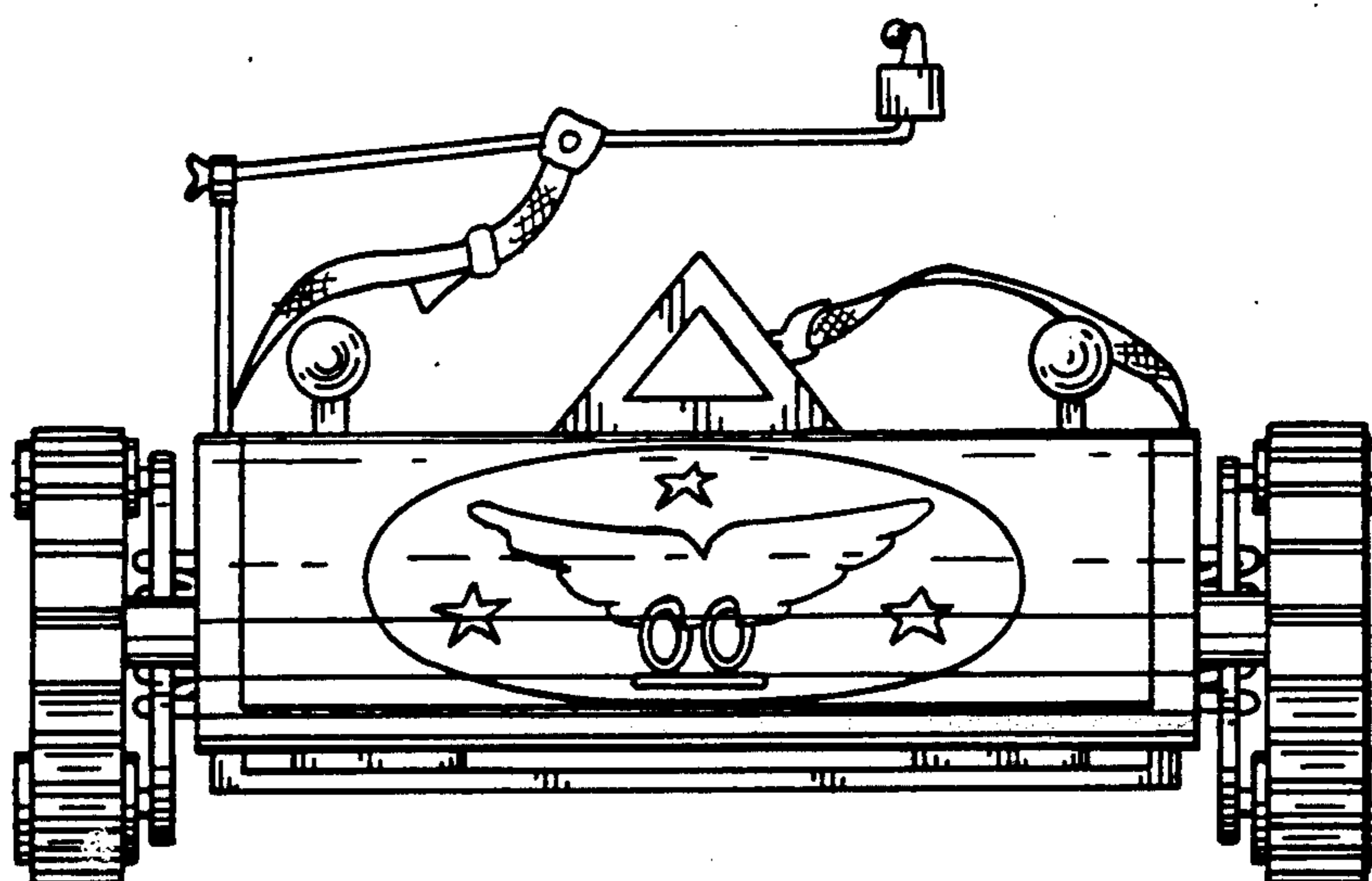


FIG. 4