

[54] PULL TAB FOR SLIDE FASTENER

[75] Inventors: Yasuharu Terada, Uozu; Chiharu Takemura, Kurobe, both of Japan

[73] Assignee: Yoshida Kogyo K. K., Tokyo, Japan

[**] Term: 14 Years

[21] Appl. No.: 342,566

[22] Filed: Apr. 24, 1989

[52] U.S. Cl. D11/221; D11/200

[58] Field of Search D11/200, 201, 221, 212, D11/13, 40-47, 79-80, 85-86, 1-4; 24/381-385, 415-417, 427-431

[56] References Cited

U.S. PATENT DOCUMENTS

2,615,224	10/1952	Shur	24/384
2,972,792	2/1961	Johnson	24/427
4,823,447	4/1989	Akashi	24/429

Primary Examiner—A. Hugo Word

Assistant Examiner—R. T. Seifert
Attorney, Agent, or Firm—Hill, Van Santen, Steadman & Simpson

[57] CLAIM

The ornamental design for a pull tab for slide fastener, as shown.

DESCRIPTION

FIG. 1 is a front elevational view of a pull tab for slide fastener showing my new design;
FIG. 2 is a right side elevational view;
FIG. 3 is a top plan view;
FIG. 4 is a bottom plan view;
FIG. 5 is a sectional view taken along line 5—5 of FIG. 1;
FIG. 6 is a sectional view taken along the lines 6—6 of FIG. 2;
FIG. 7 is an enlarged sectional view taken along the line 7—7 of FIG. 1; and
FIG. 8 is an enlarged sectional view taken along the lines 8—8 of FIG. 1.

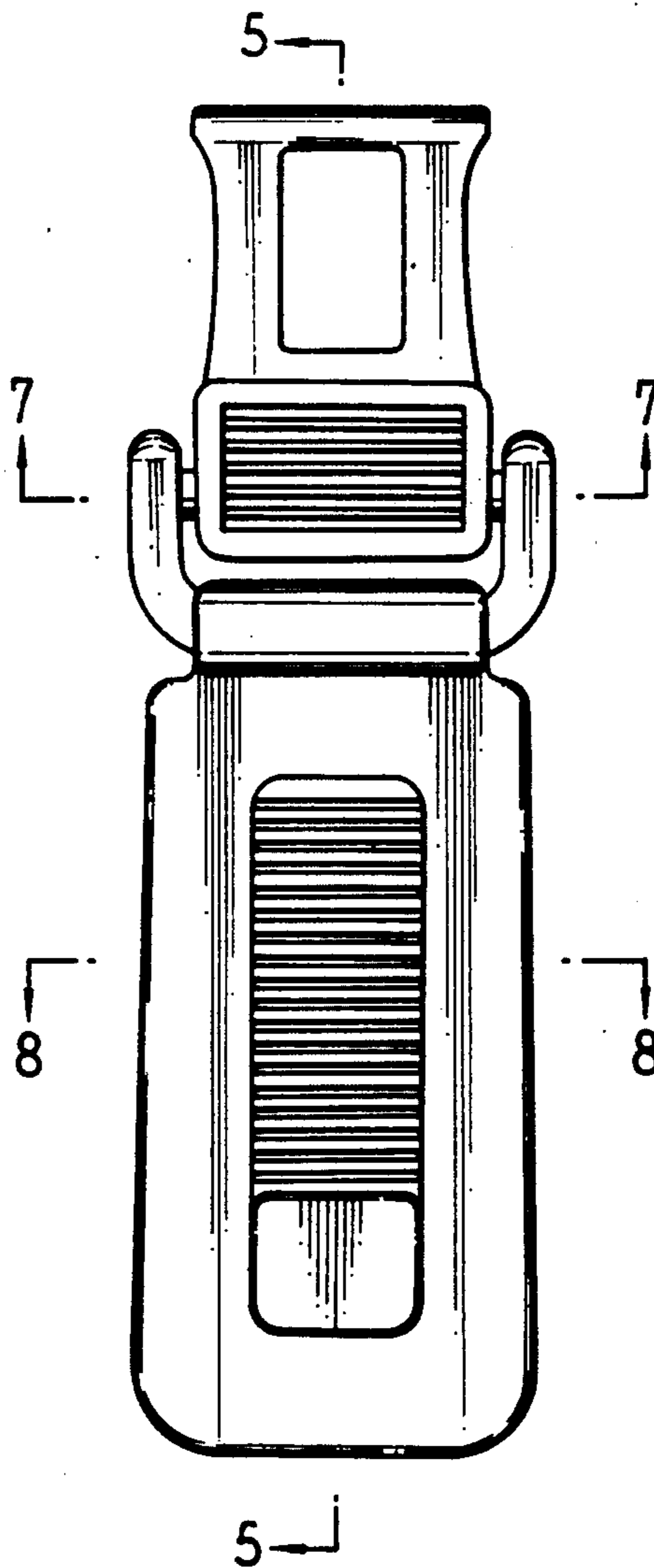


FIG. 1

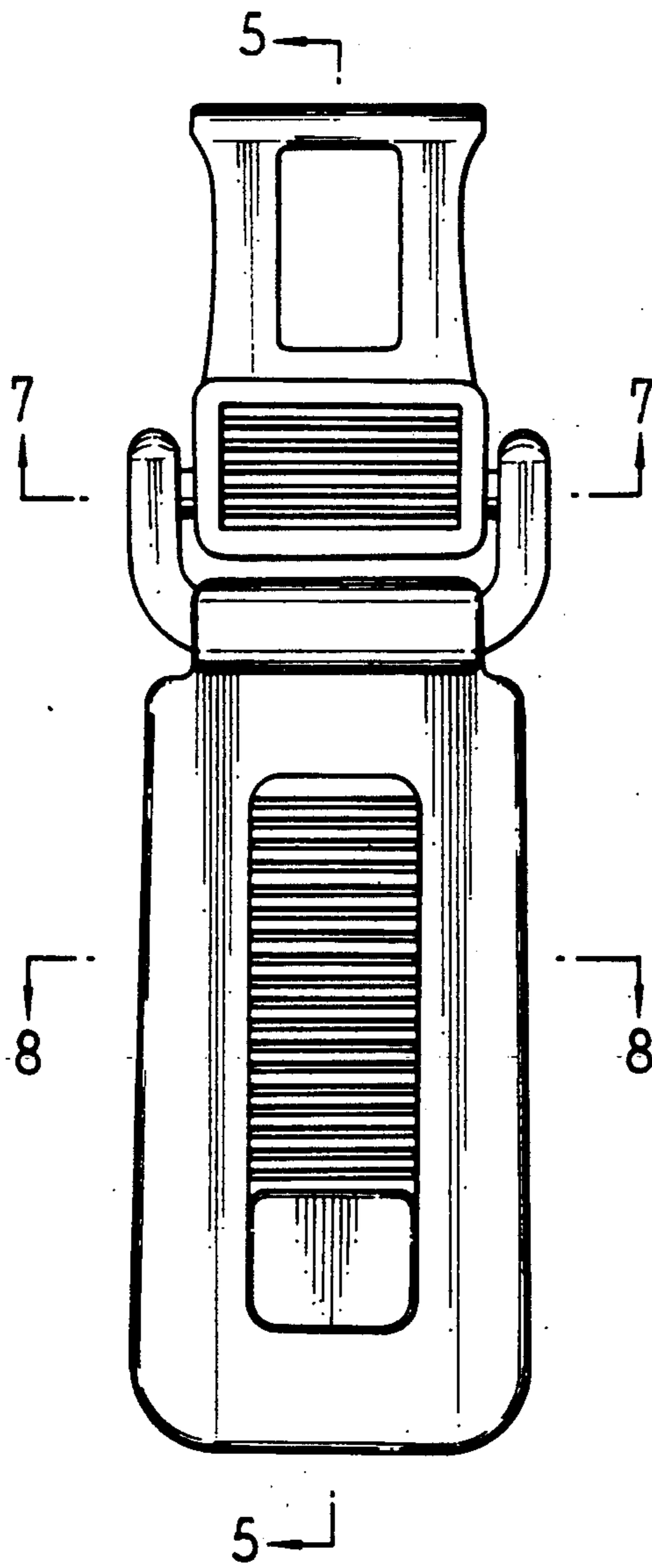


FIG. 2

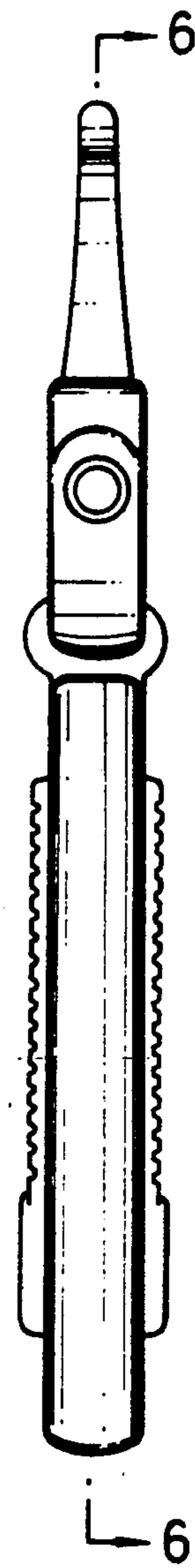


FIG. 4



FIG. 3

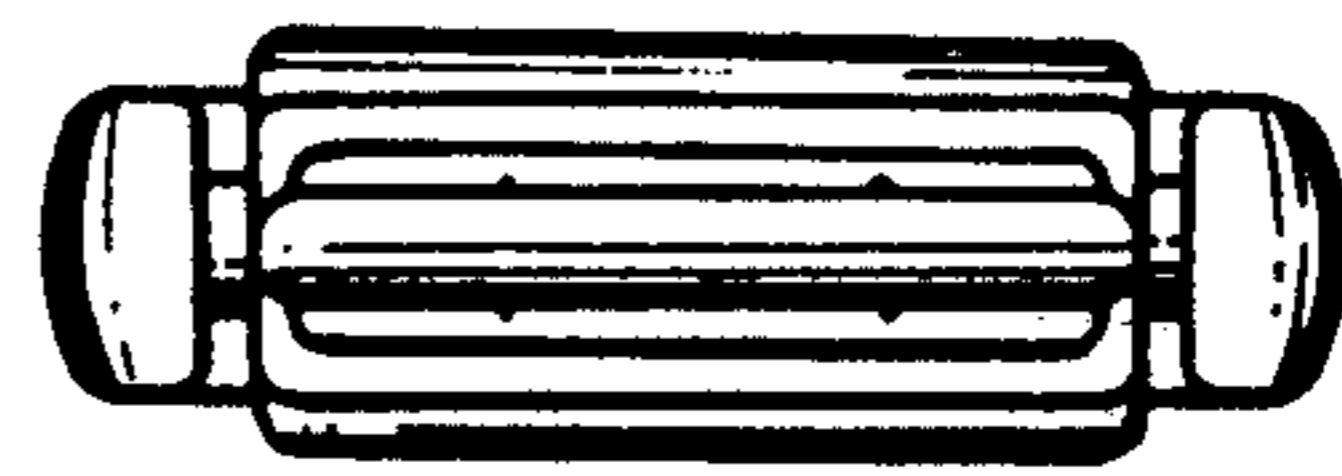


FIG. 6

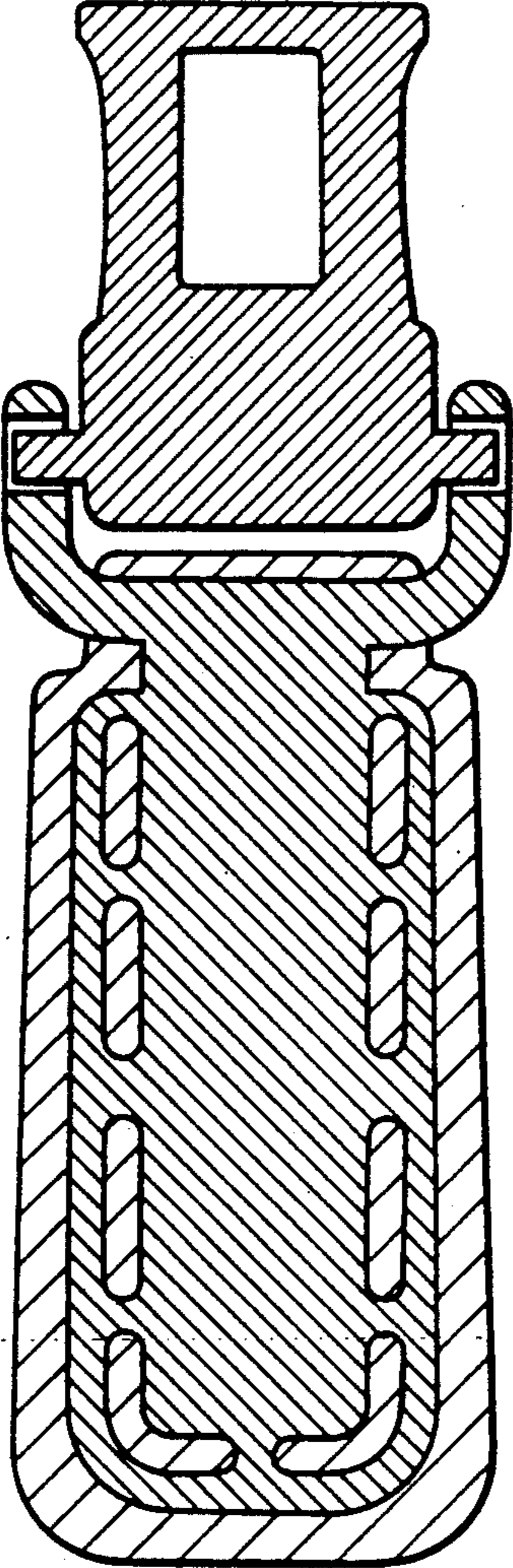


FIG. 5

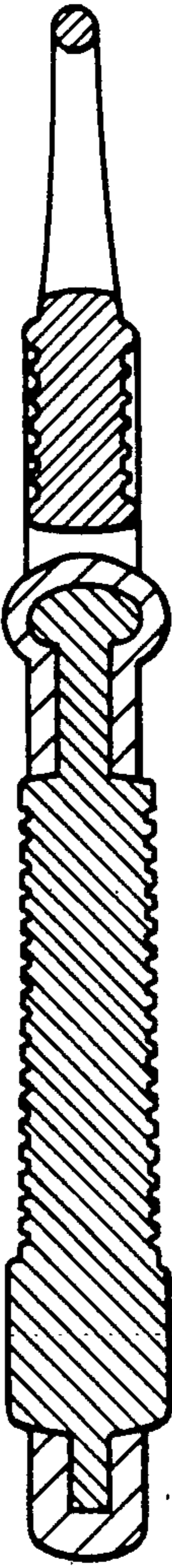


FIG. 7

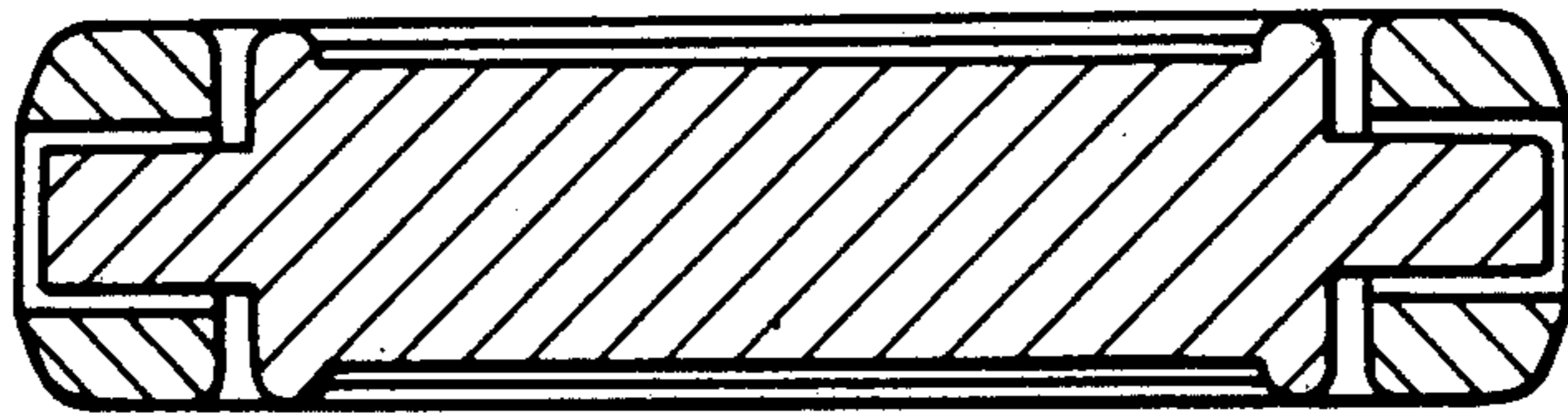


FIG. 8

