

[54] MULTIPLEX MEASURING TAPE

[75] Inventor: Henry Lin, Shin Joun, Taiwan

[73] Assignee: Index Measuring Tape Company Ltd.,
Shin Joun, Taiwan

[**] Term: 14 Years

[21] Appl. No.: 319,786

[22] Filed: Mar. 7, 1989

[52] U.S. Cl. D10/72

[58] Field of Search D10/70, 72; D8/105;
D19/108; 33/755, 759, 760, 761, 762, 763, 768,
769; D18/2, 6; 242/107.2, 107.3; 235/1 D, 1 R,
61 R, 145 R; 364/706, 707, 708, 709, 710;
7/118, 119, 168, 169

[56] References Cited

U.S. PATENT DOCUMENTS

4,181,848 1/1980 Iwase 33/763 X
4,747,215 5/1988 Waikas 33/763

FOREIGN PATENT DOCUMENTS

2614982 11/1988 France 33/763
8611 1/1986 Japan 33/763
2169399 7/1986 United Kingdom D10/72 X

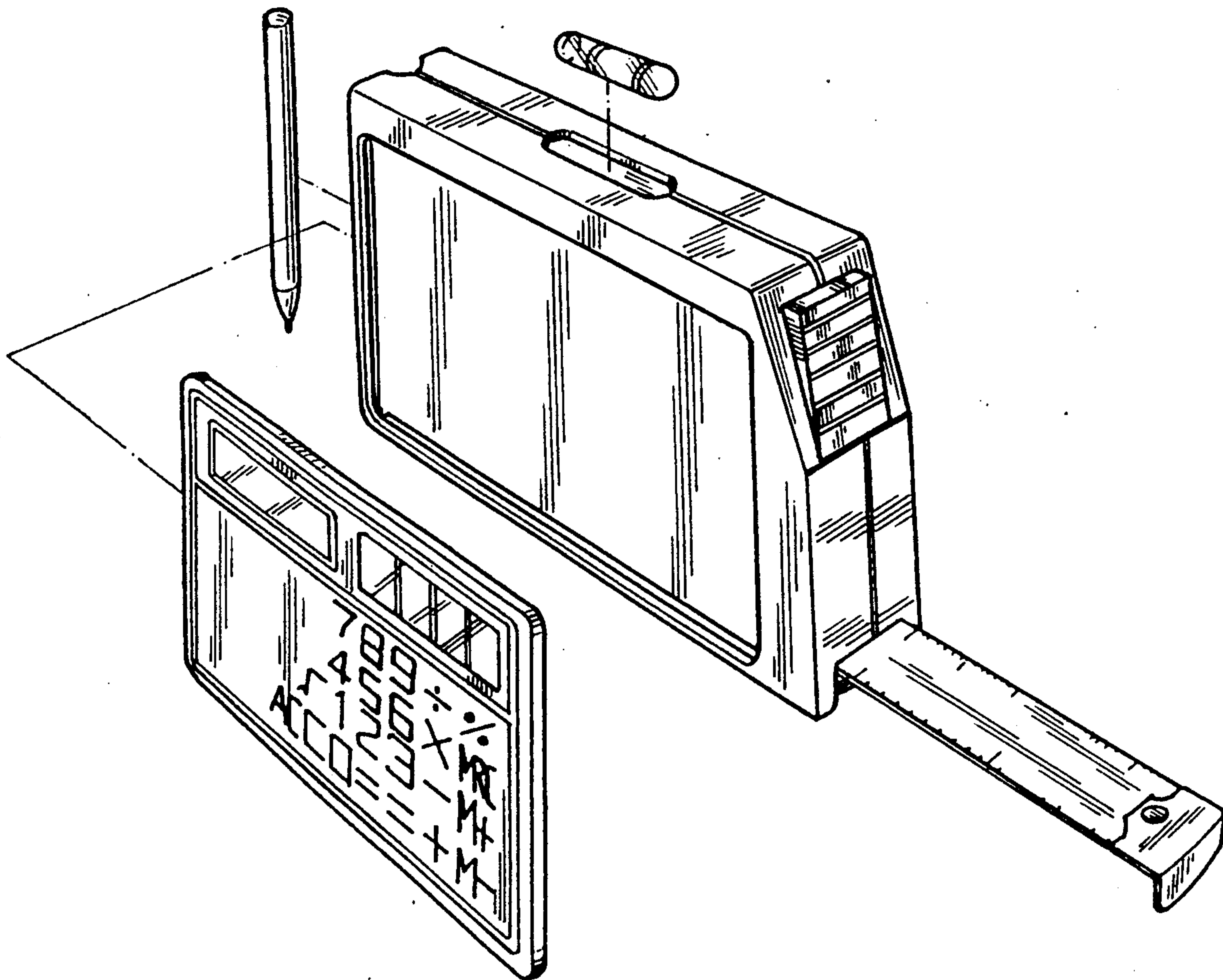
Primary Examiner—Nelson C. Holtje
Assistant Examiner—Antoine D. Davis
Attorney, Agent, or Firm—Schwartz & Weinrieb

[57] CLAIM

The ornamental design for a multiplex measuring tape, as shown.

DESCRIPTION

FIG. 1 is a front elevation view of a multiplex measuring tape showing my new design; FIG. 2 is a left side elevational view; FIG. 3 is a right side elevational view; FIG. 4 is a top plan view; FIG. 5 is a bottom plan view; FIG. 6 is a rear elevational view; FIG. 7 is a top, front and left side perspective view; and FIG. 8 is a top, front and left side exploded view thereof, showing the various components of the multiplex measuring tape.



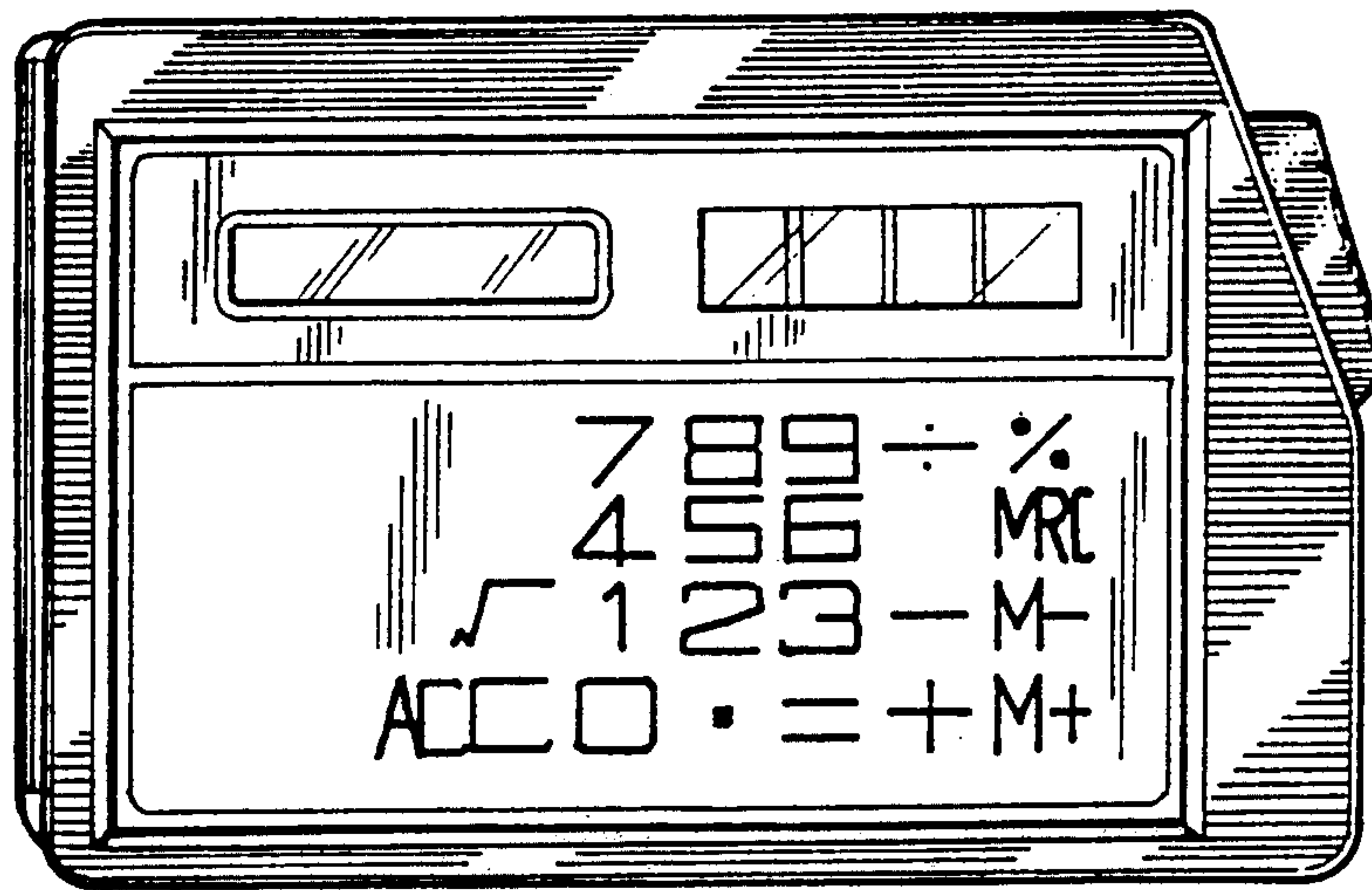


FIG. 1

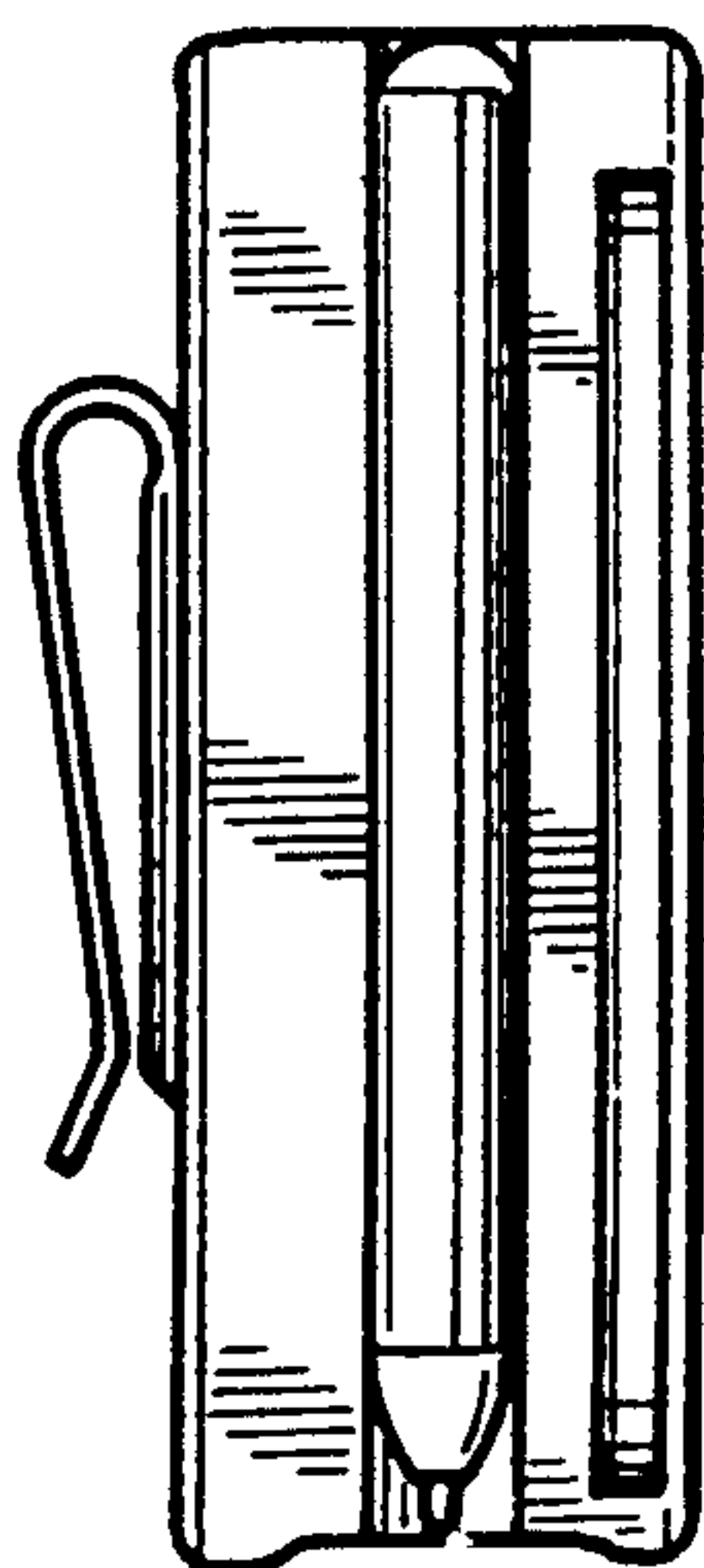


FIG. 2

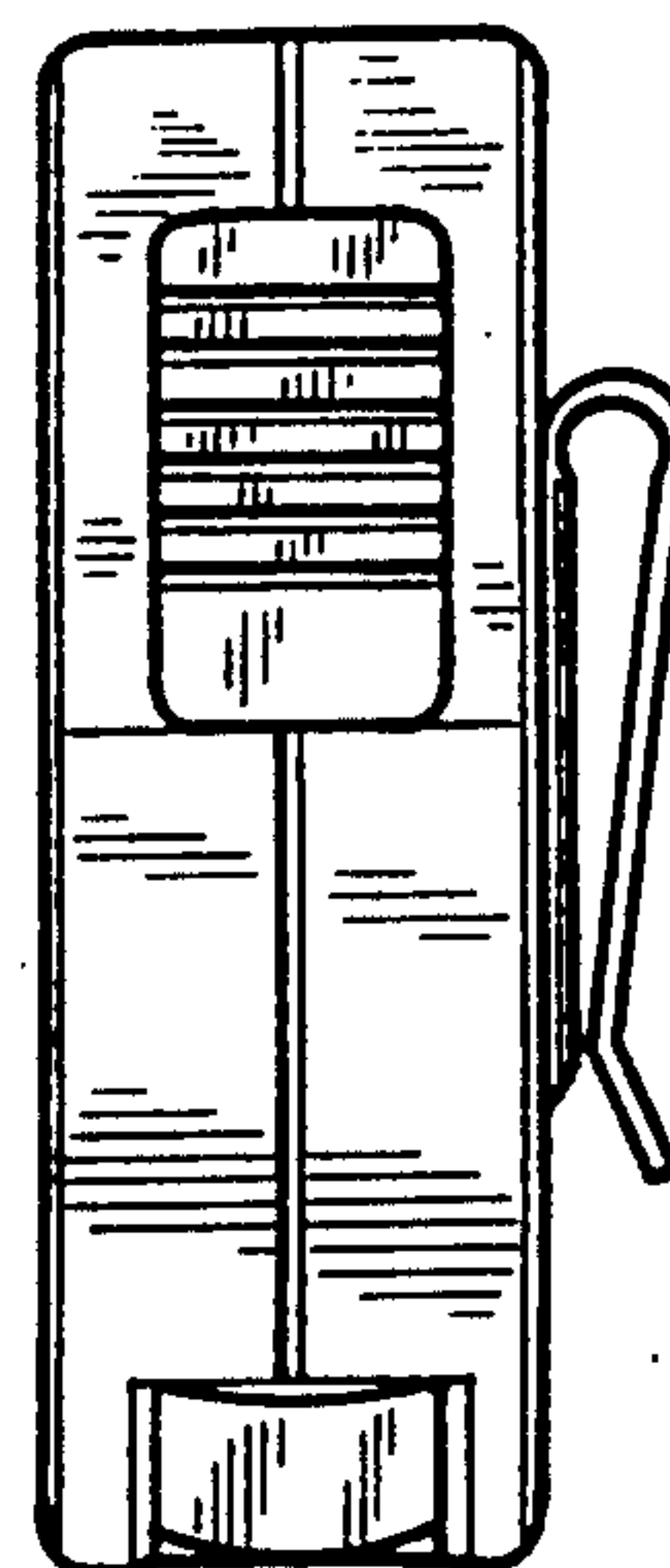


FIG. 3

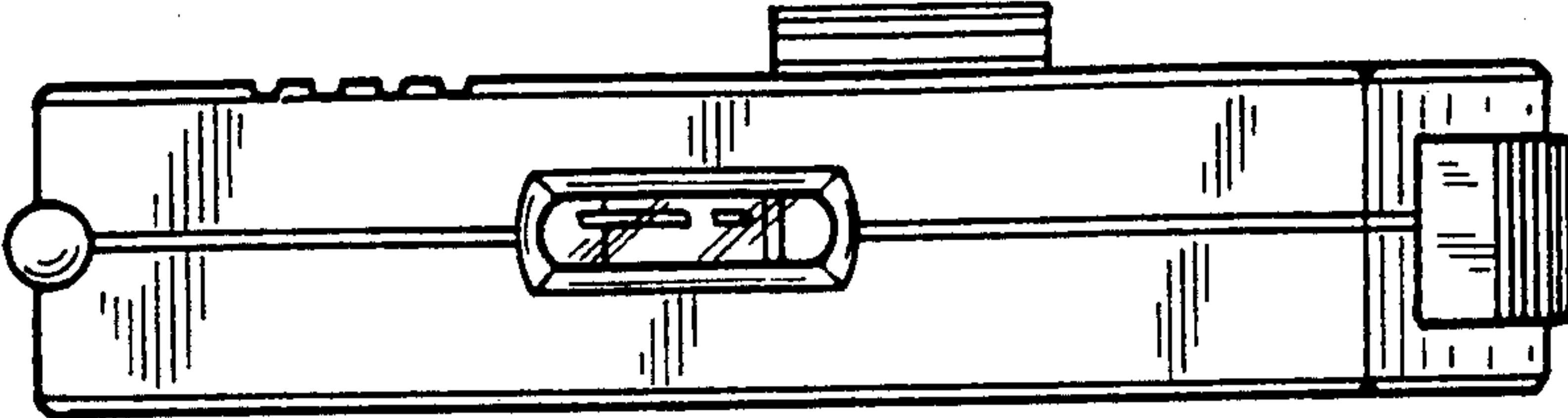


FIG. 4

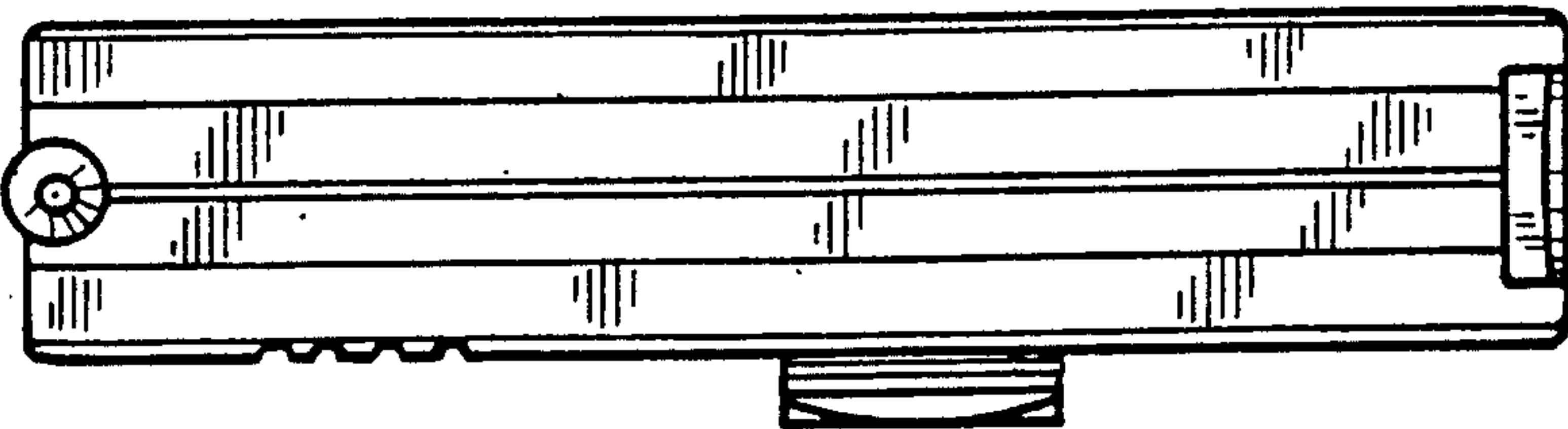


FIG. 5

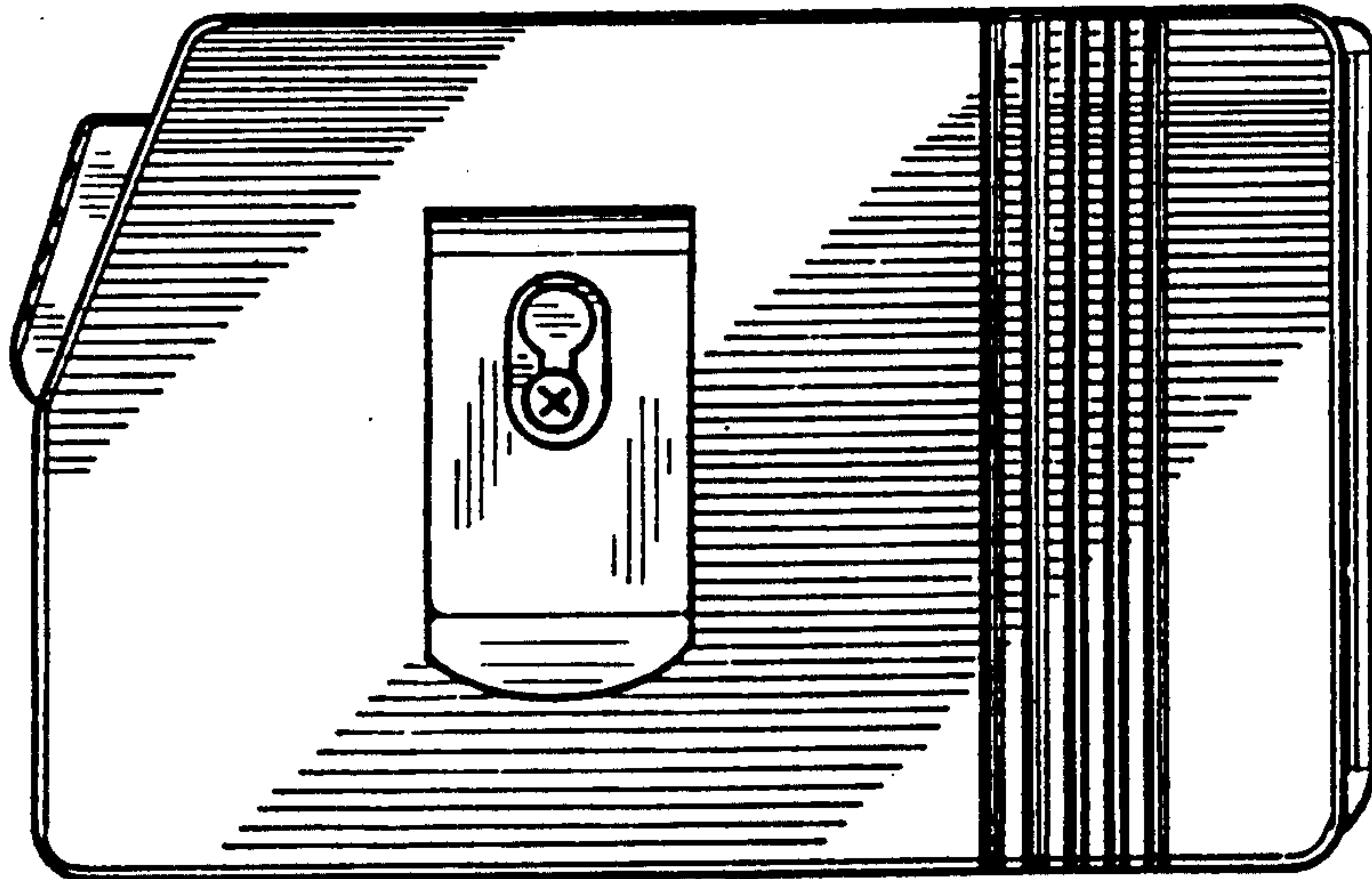


FIG. 6

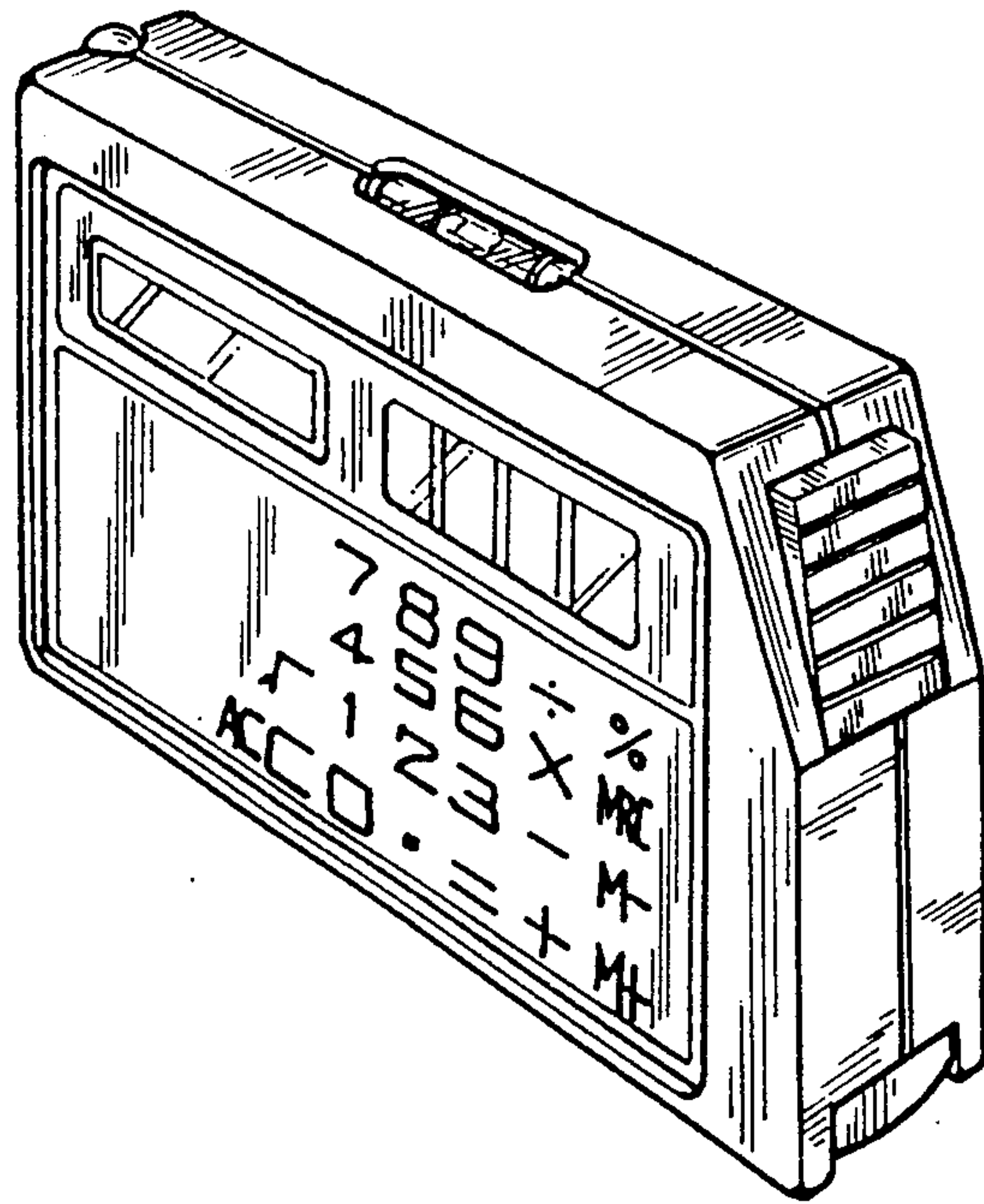


FIG. 7

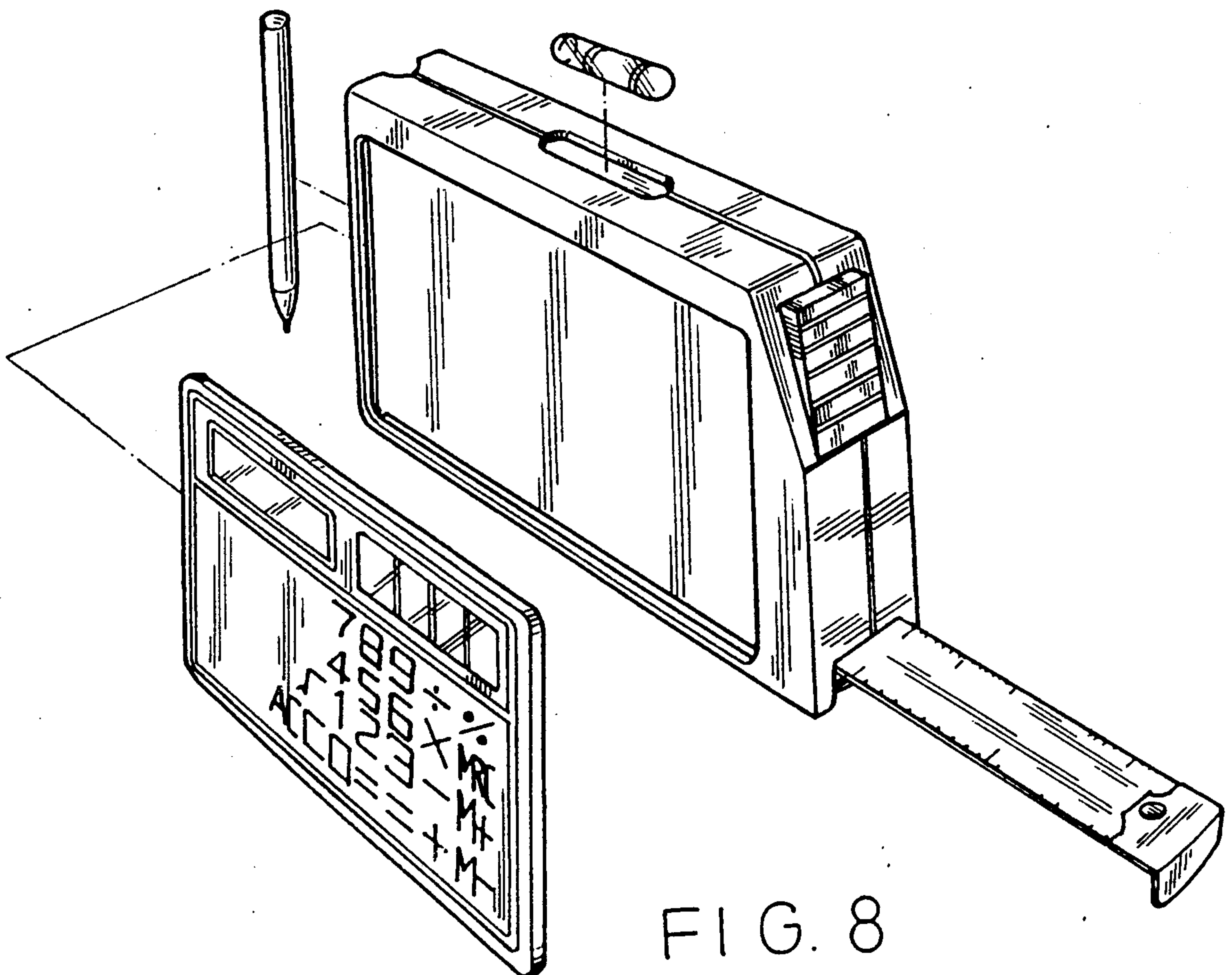


FIG. 8