

[54] COMBINED TIMER AND VALVES FOR WASHING MACHINE WATER FLOW CONTROL

[76] Inventor: Don L. Black, 10051 Biscanewoods Way, Sacramento, Calif. 95827

[\*\*] Term: 14 Years

[21] Appl. No.: 239,969

[22] Filed: Sep. 2, 1988

[52] U.S. Cl. .... D10/40; D23/245; D10/2

[58] Field of Search ..... D10/30, 40, 2; D23/245, D23/233; 307/141 R, 141.4; 368/107-113, 10, 11

[56] References Cited

U.S. PATENT DOCUMENTS

D. 135,444	4/1943	Grant	.....	D10/50
D. 184,920	4/1959	Eisenberg	.....	D10/40
D. 208,139	7/1967	Adams	.....	D23/245
D. 208,140	7/1967	Adams	.....	D23/245
D. 220,434	4/1971	Sewell	.....	D10/50

D. 247,285	2/1978	Taylor	.....	D10/50
D. 295,779	5/1988	Bruninga	.....	D23/245
2,556,908	6/1951	Engholdt	.....	D23/230 X
4,360,739	11/1982	Goldstein	.....	307/141.4 X
4,775,801	10/1988	Baum	.....	307/141

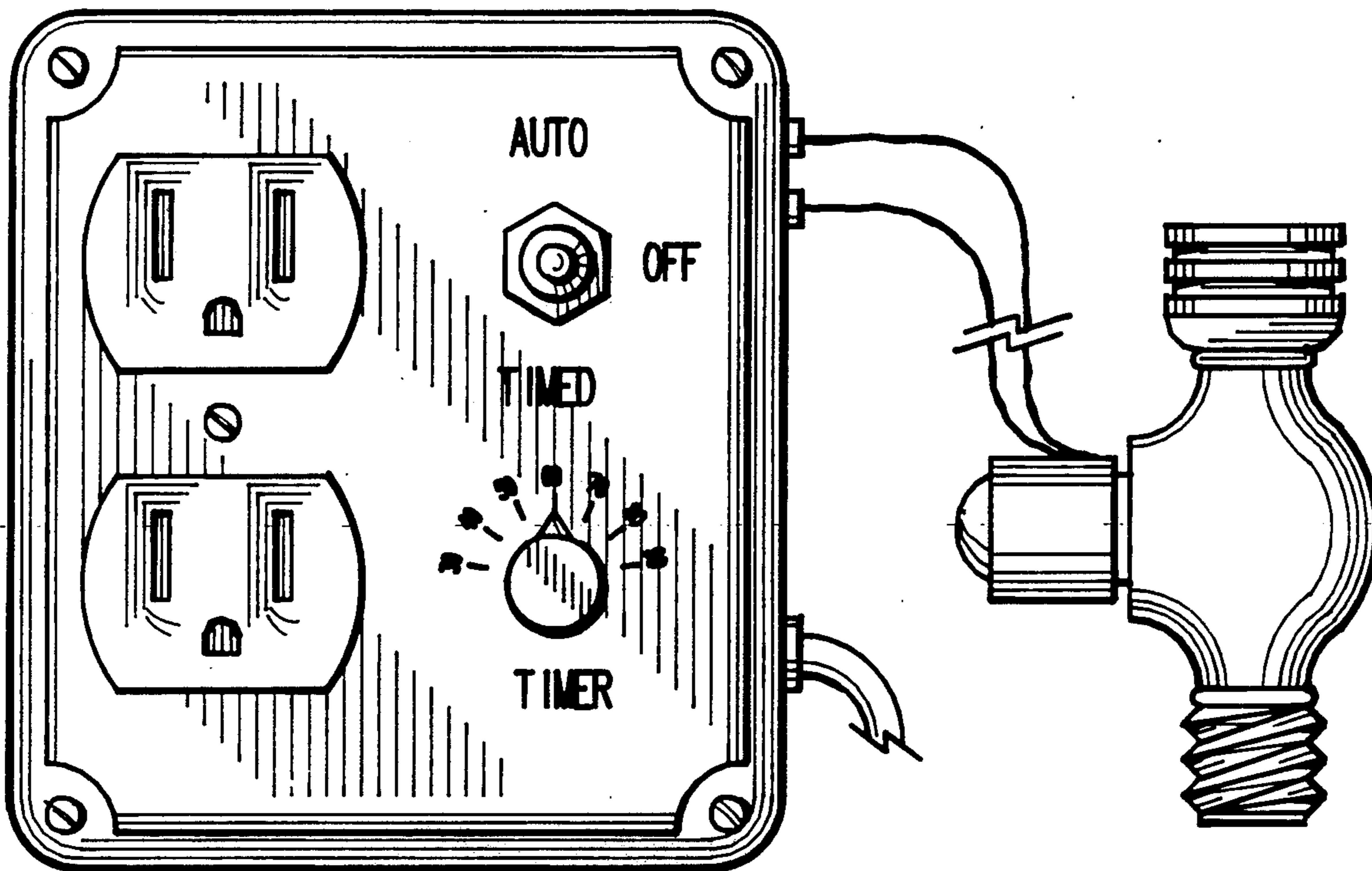
Primary Examiner—Nelson C. Holtje  
Attorney, Agent, or Firm—Jerry T. Kearns

[57] CLAIM

The ornamental design for a combined timer and valves for washing machine water flow control, as shown and described.

DESCRIPTION

FIG. 1 is a front elevational view of a combined timer and valves for washing machine water flow control showing my new design; FIG. 2 is a rear elevational view thereof; FIG. 3 is a left side elevational view thereof; FIG. 4 is a right side elevational view thereof; FIG. 5 is a top plan view thereof; and FIG. 6 is a bottom plan view thereof. The wires of FIGS. 1 and 2 are shown broken-away for ease of illustration.



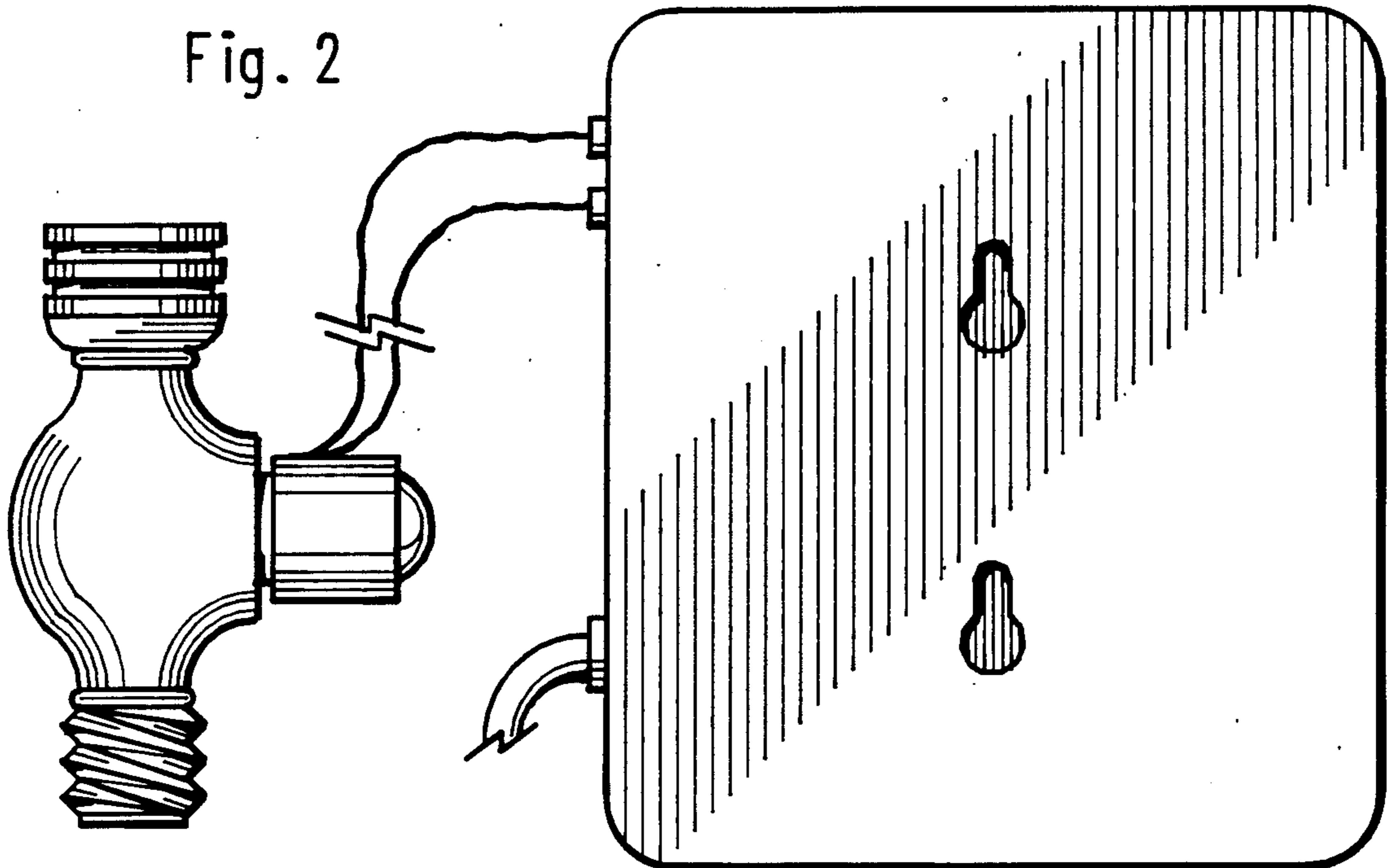
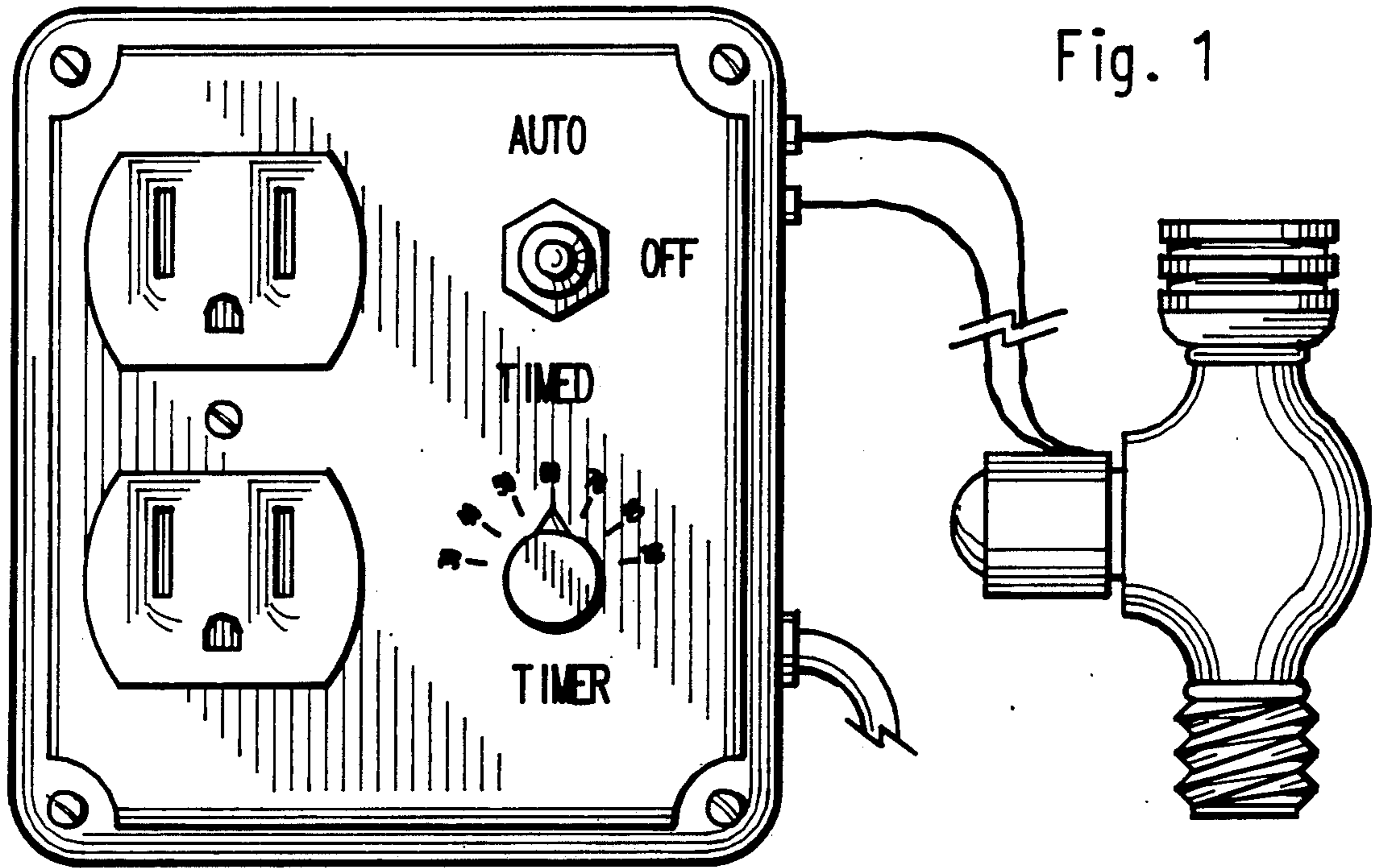


Fig. 3

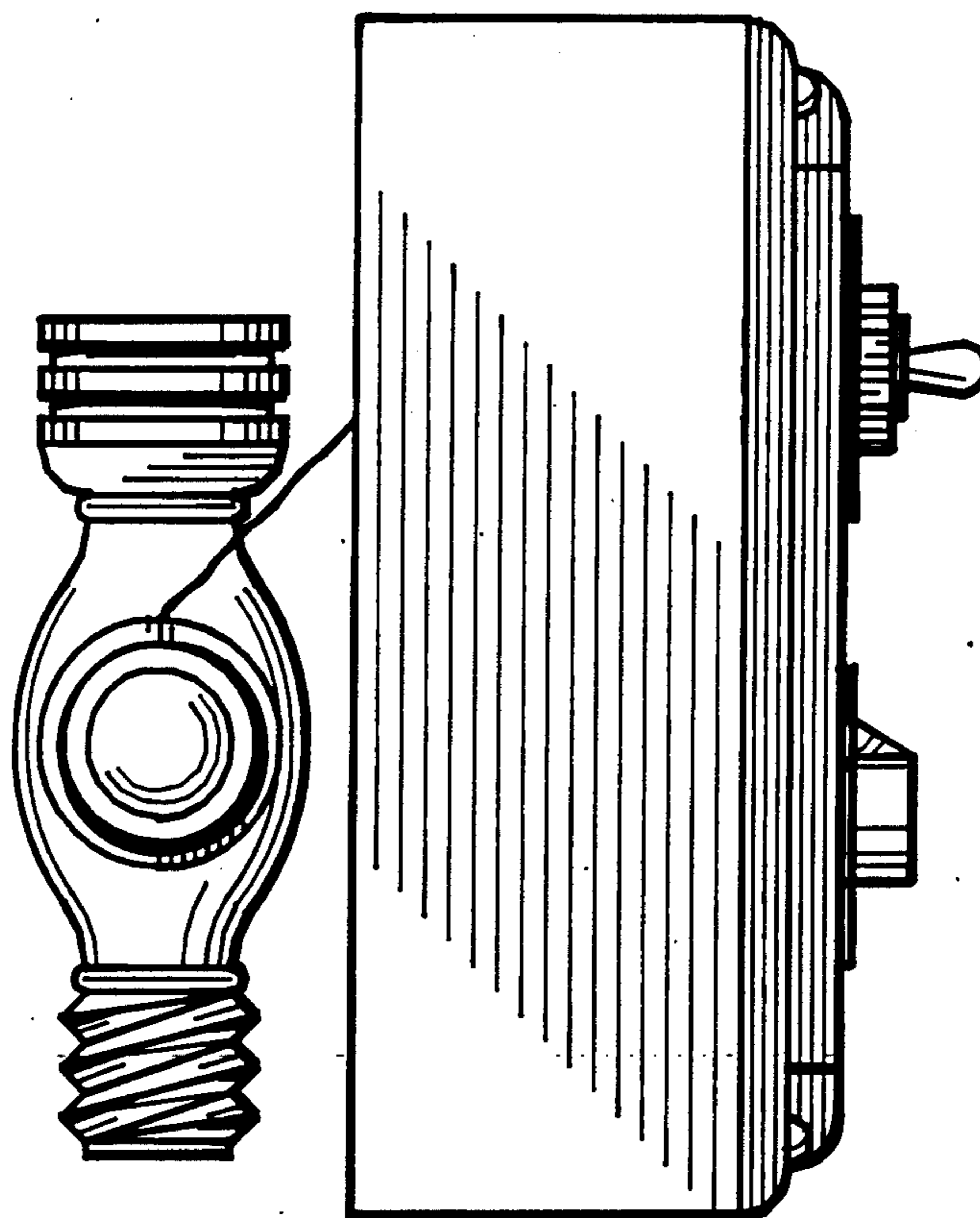
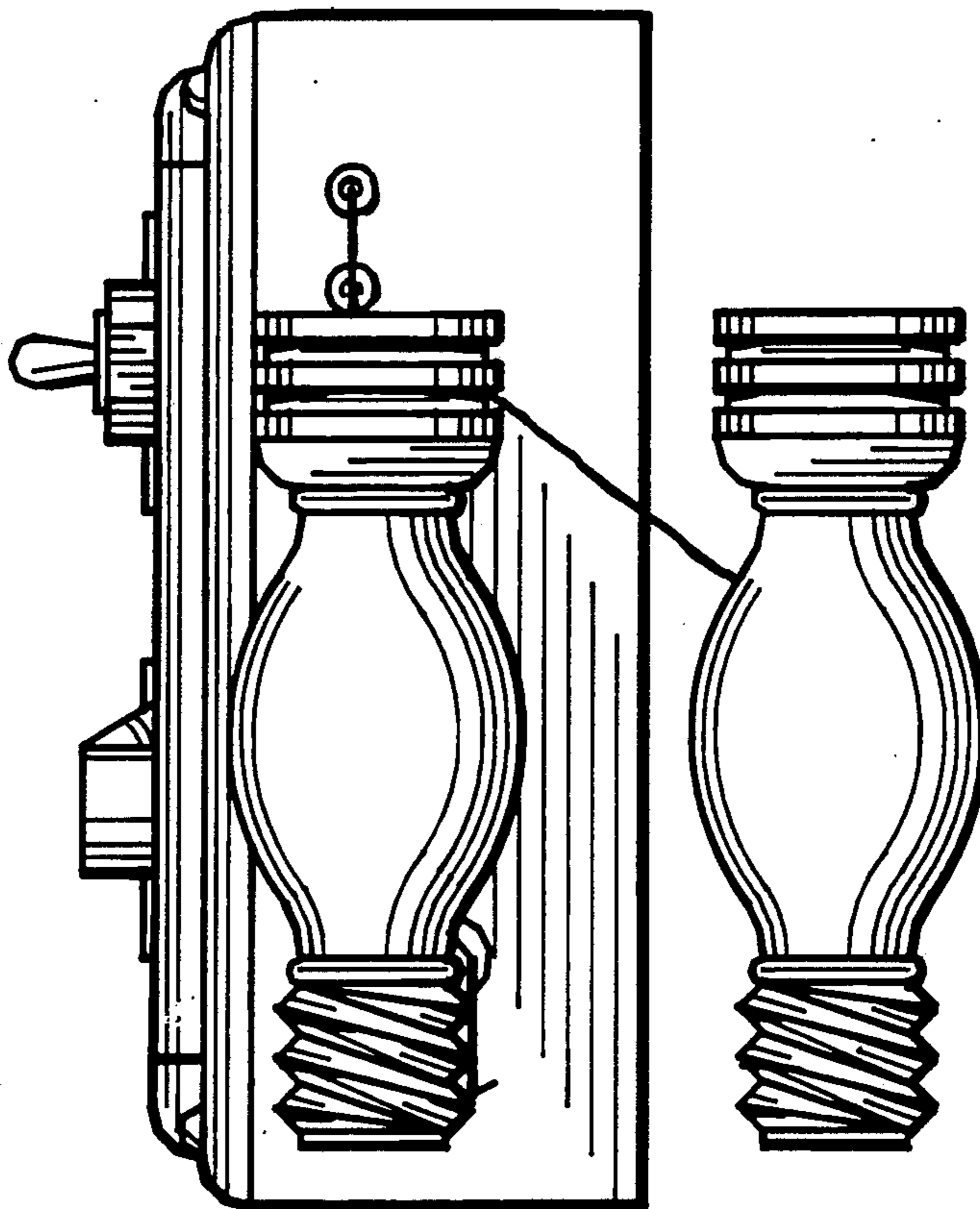


Fig. 4



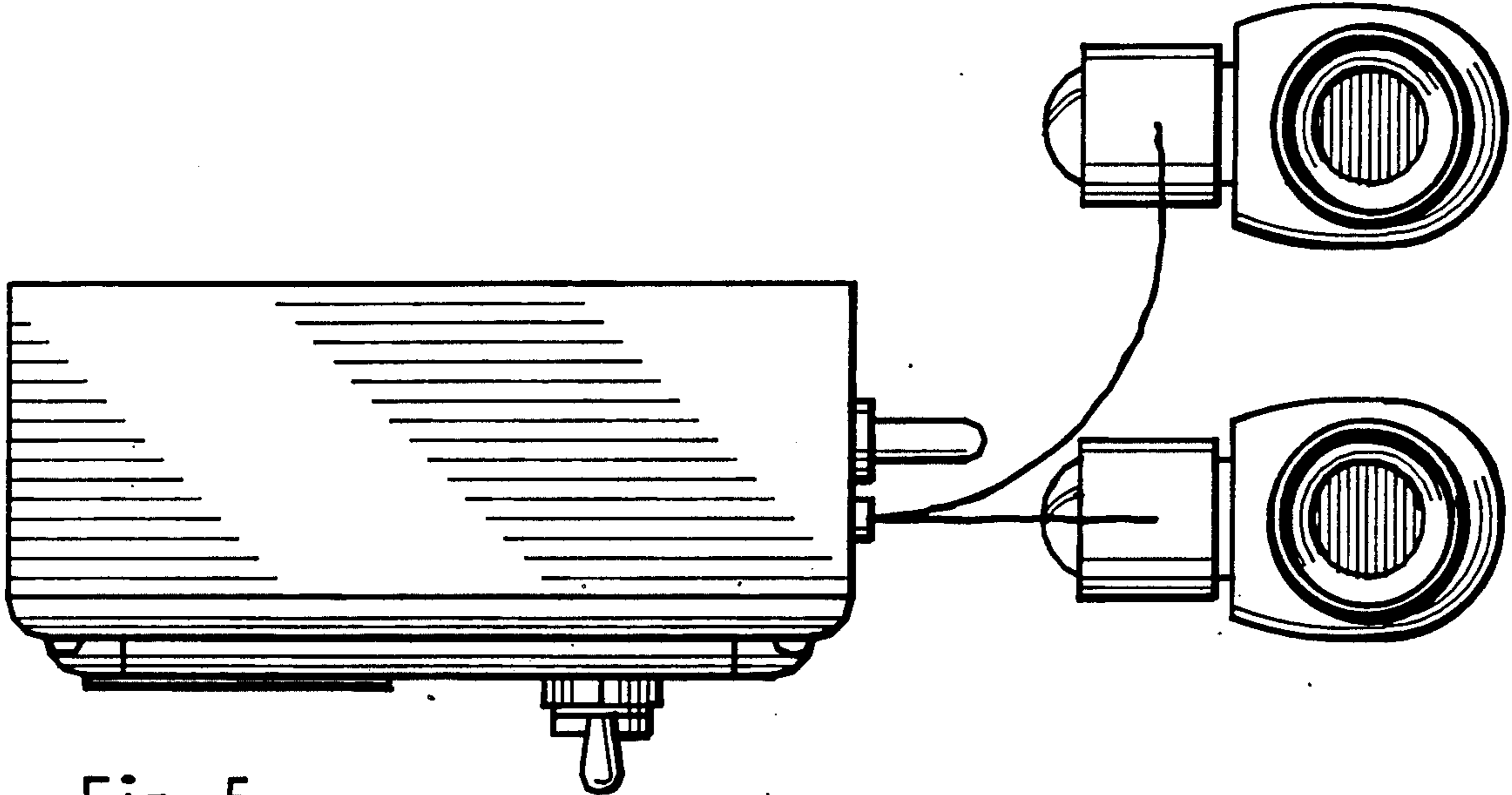


Fig. 5

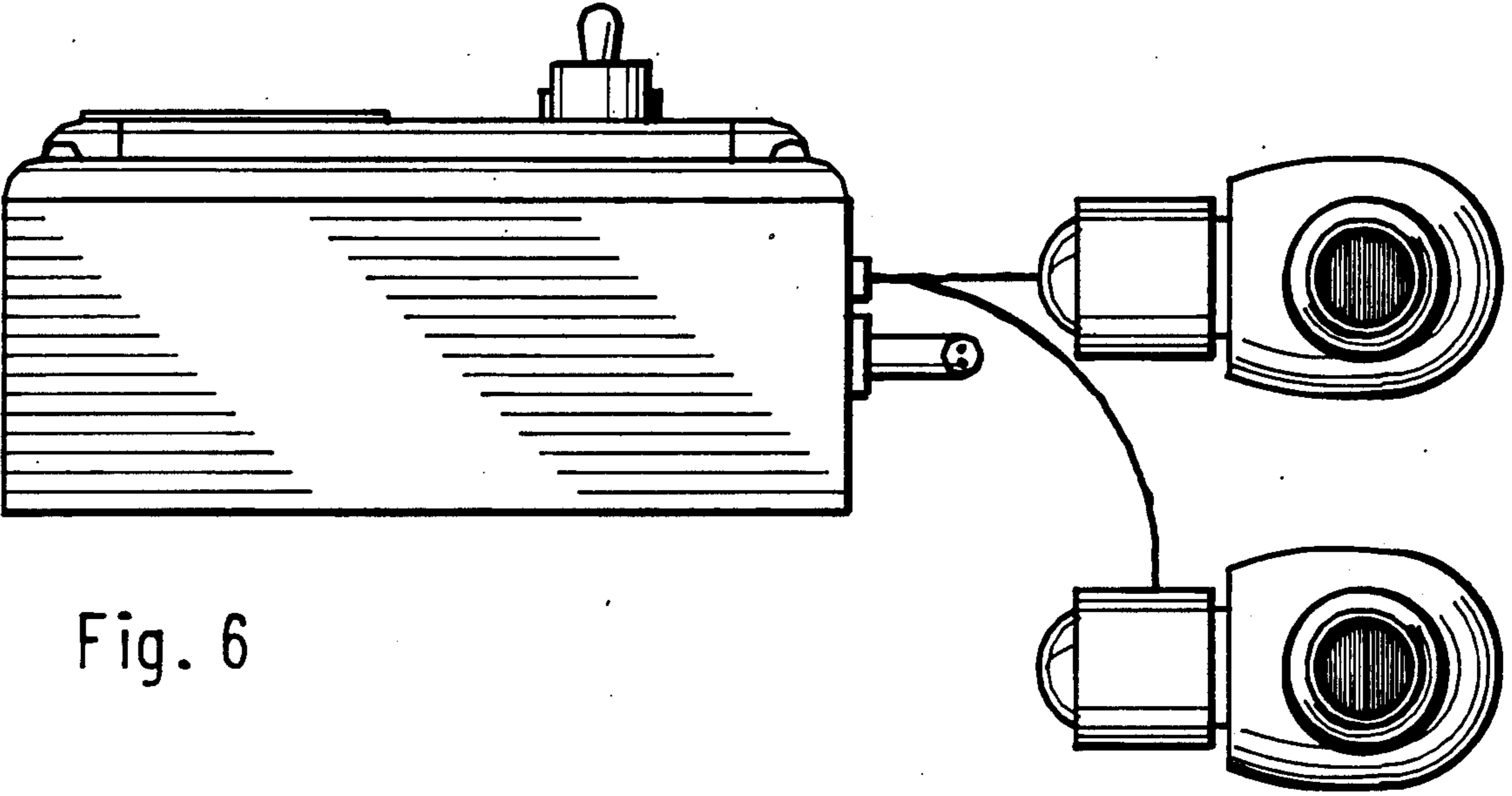


Fig. 6