

[54] COMBINED CLOSURE AND OPENER FOR A CUP LID

[75] Inventor: David O. Allen, Wilmington, Ohio

[73] Assignee: Allen Tool Company, Inc., Wilmington, Ohio

[**] Term: 14 Years

[21] Appl. No.: 414,933

[22] Filed: Sep. 29, 1989

Related U.S. Application Data

[63] Continuation-in-part of Ser. No. 894,674, Aug. 8, 1986, Pat. No. Des. 305,734, which is a continuation-in-part of Ser. No. 526,352, Aug. 25, 1983, Pat. No. Des. 285,056.

[52] U.S. Cl. D9/438; D9/435

[58] Field of Search D9/368, 438, 435, 454; 220/90.4, 269, 270-276

[56] References Cited
U.S. PATENT DOCUMENTS

D. 208,591	9/1967	Bozek	D9/438
D. 223,338	4/1972	Batchelar et al.	D9/438
D. 238,150	12/1975	Cudzik	D9/438
D. 263,803	4/1982	Fraze	D9/438
D. 305,734	1/1990	Allen	D9/438
3,727,810	4/1973	Douty	D9/438
3,757,989	9/1973	Brown	220/269
4,467,938	8/1984	Allen	220/270
4,925,051	5/1990	Herbst	D9/447

Primary Examiner—B. J. Bullock
Assistant Examiner—Dominic Simone
Attorney, Agent, or Firm—Robert W. Becker & Associates

[57] CLAIM

The ornamental design for a combined closure and opener for a cup lid, as shown and described.

DESCRIPTION

FIG. 1 is a top plan view of a combined closure and opener for a cup lid showing my new design; FIG. 2 is a side elevation view thereof; FIG. 3 is a bottom plan view thereof; and FIG. 4 is a top-plan-perspective view thereof, the cup shown in broken lines for illustrative purposes only.

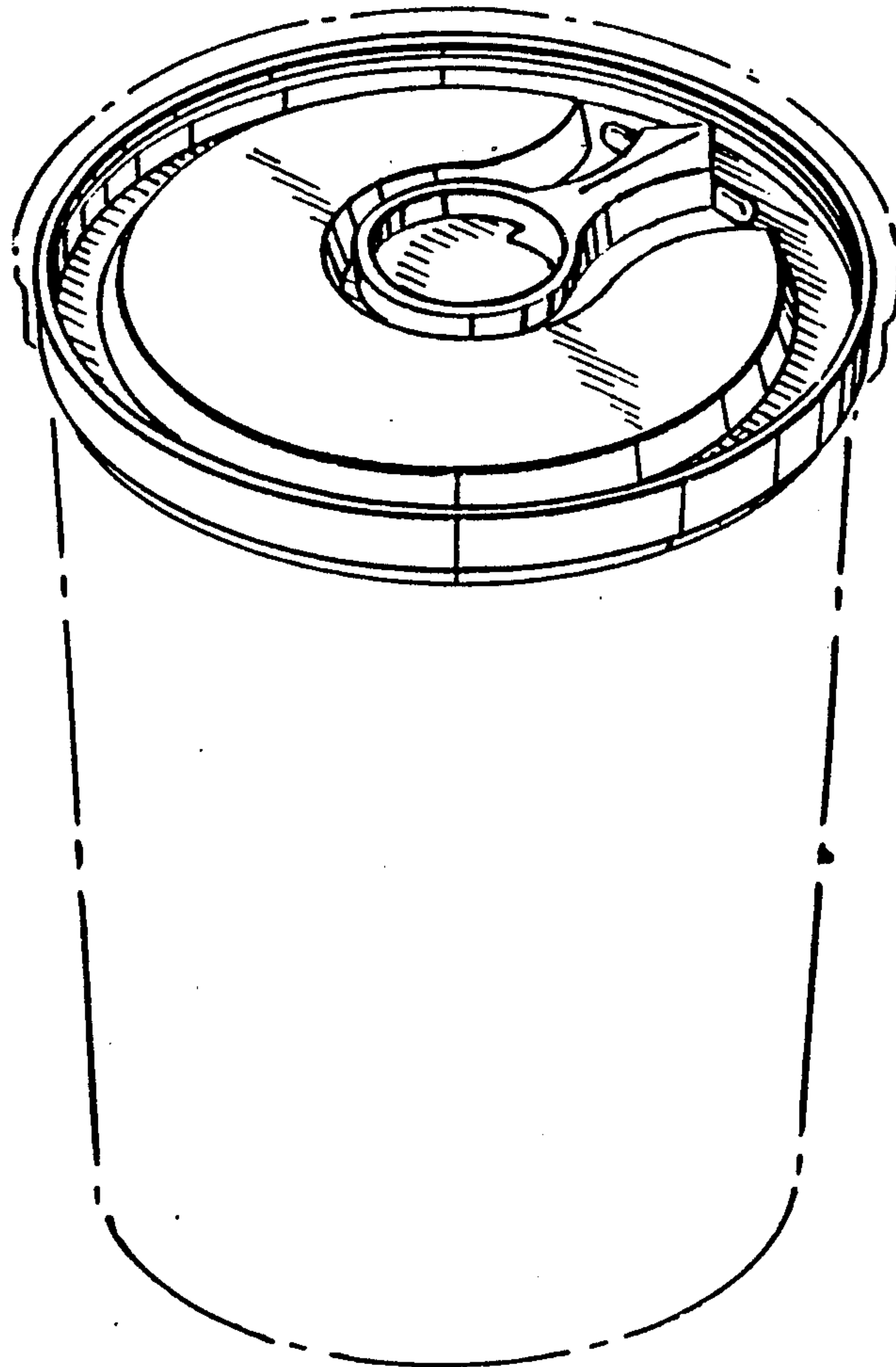


FIG-1

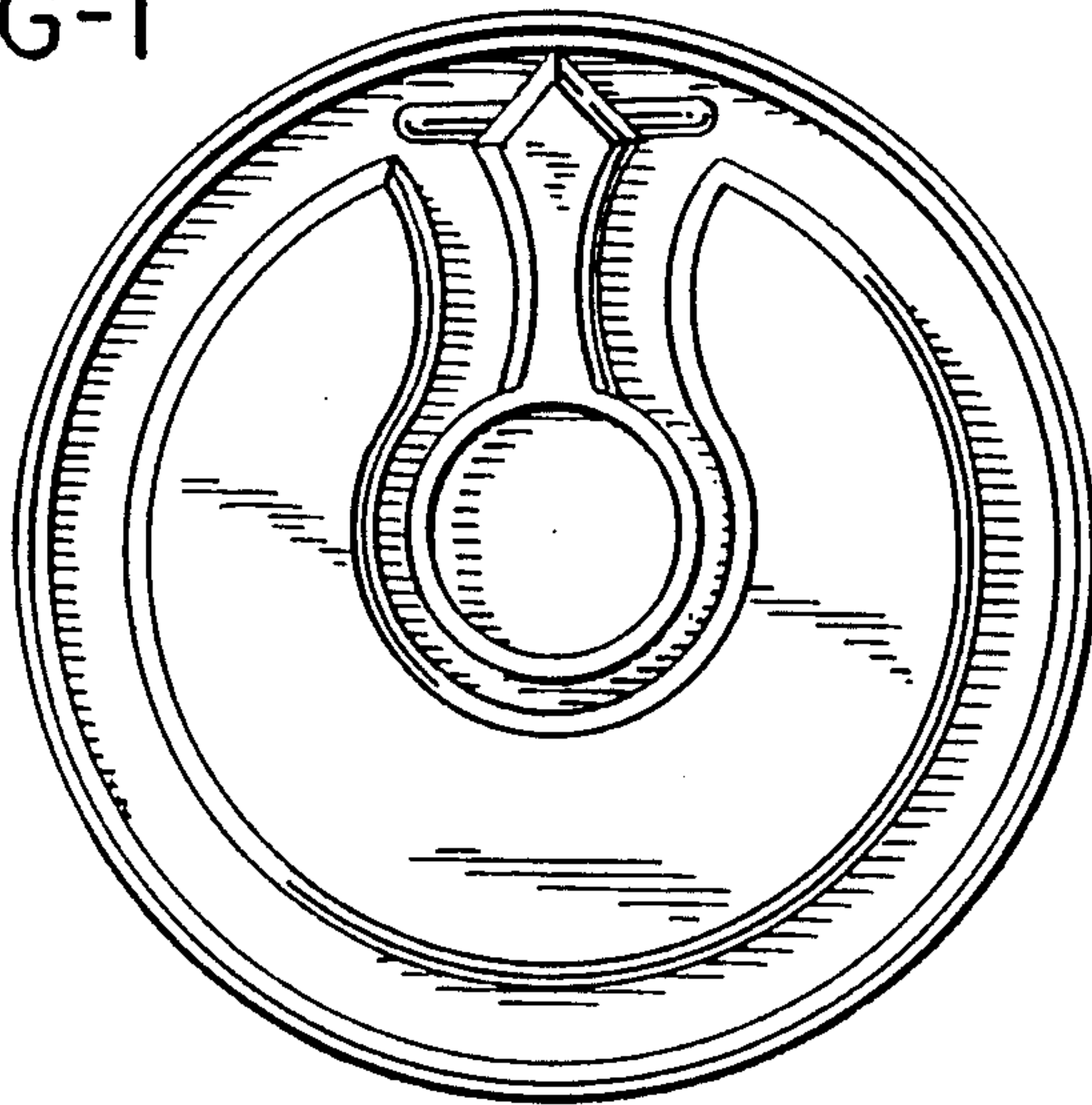


FIG-4

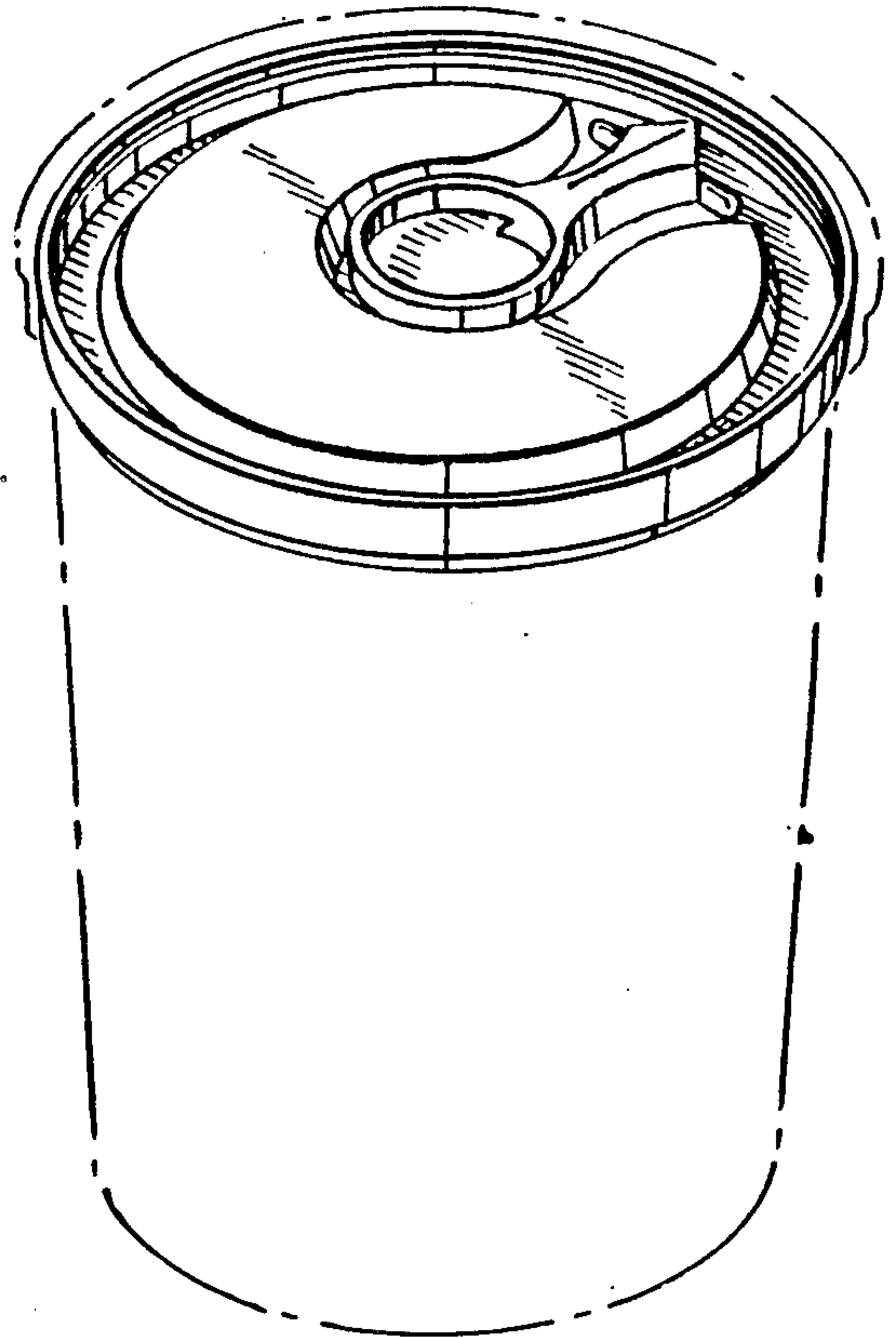


FIG-2

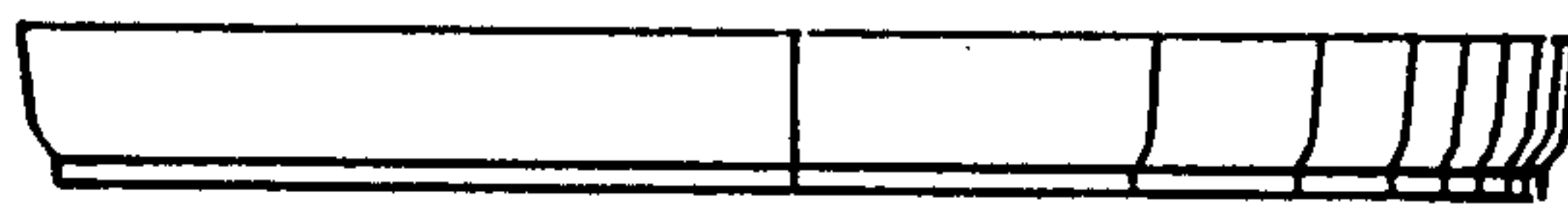


FIG-3

