

[54] JAR LID

[76] Inventor: Luverne C. Olson, Rte. 1, Box 316, Kasota, Minn. 56050

[**] Term: 14 Years

[21] Appl. No.: 334,383

[22] Filed: Apr. 7, 1989

[52] U.S. Cl. D9/439; D9/435; D9/454

[58] Field of Search D9/434, 435, 439, 443, D9/454, 499; 220/254, 269-276, 90.4; 222/632

[56] References Cited

U.S. PATENT DOCUMENTS

D. 189,165	11/1960	Freimon	D9/443 X
D. 248,453	7/1978	Summers	D9/439
D. 263,799	4/1982	Nilsson	D9/443 X
D. 267,783	2/1983	Lang	D9/499
544,729	8/1895	Harned	220/254

3,411,652	11/1968	Shuffrery et al.	D9/439
4,162,748	7/1979	Bennett	222/632

Primary Examiner—B. J. Bullock
Assistant Examiner—Dominic Simone
Attorney, Agent, or Firm—Peterson, Wicks, Nemer & Kamrath

[57] CLAIM

The ornamental design for a jar lid, as shown and described.

DESCRIPTION

FIG. 1 is a perspective view of a jar lid showing my new design;
FIG. 2 is a front elevational view thereof;
FIG. 3 is a top plan view thereof;
FIG. 4 is a bottom plan view thereof.
FIG. 5 is a sectional view taken in the direction of the arrows along line 5—5 of FIG. 1;
FIG. 6 is a sectional view taken in the direction of the arrows along line 6—6 of FIG. 3.

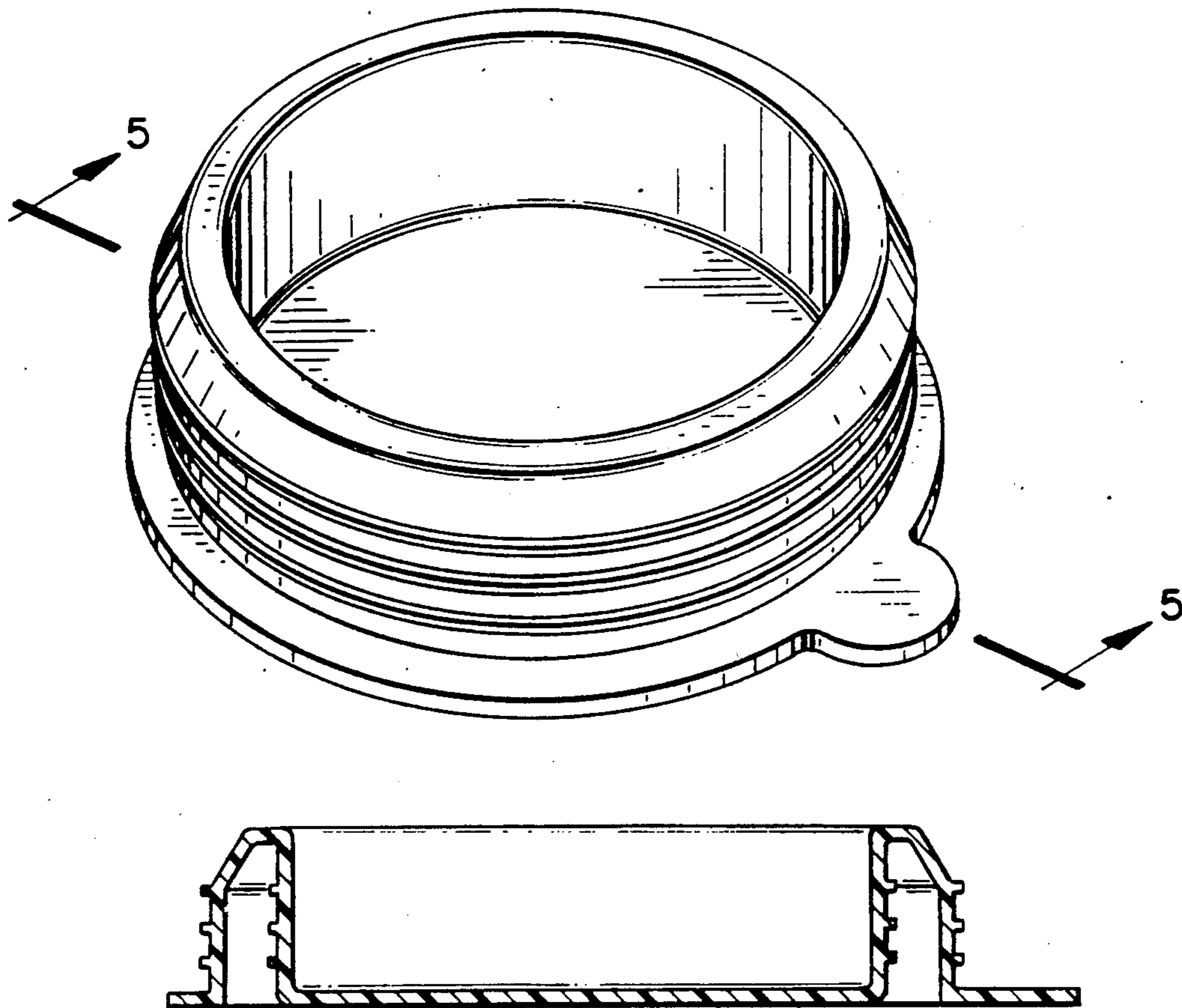


Fig.-1

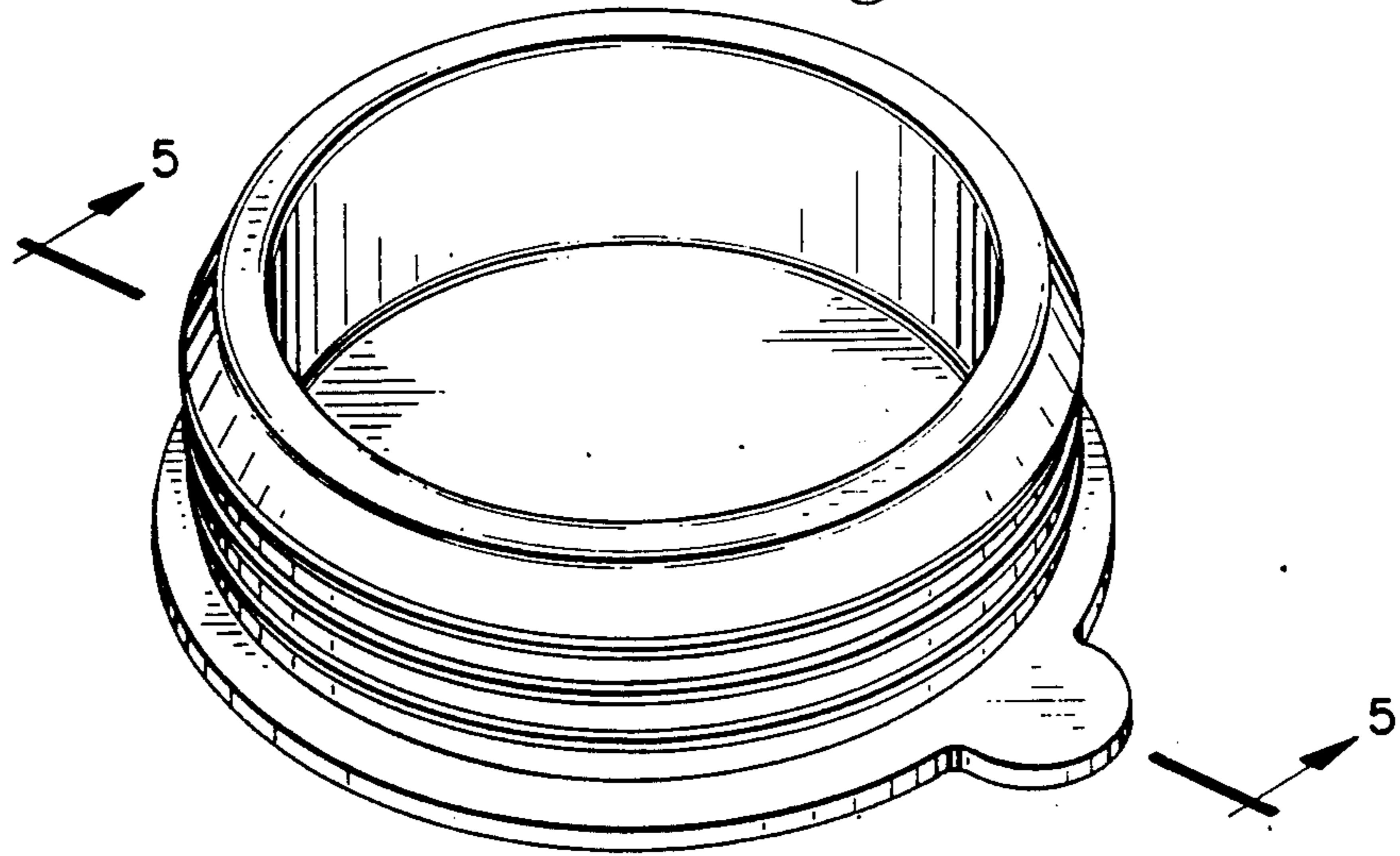


Fig.-2

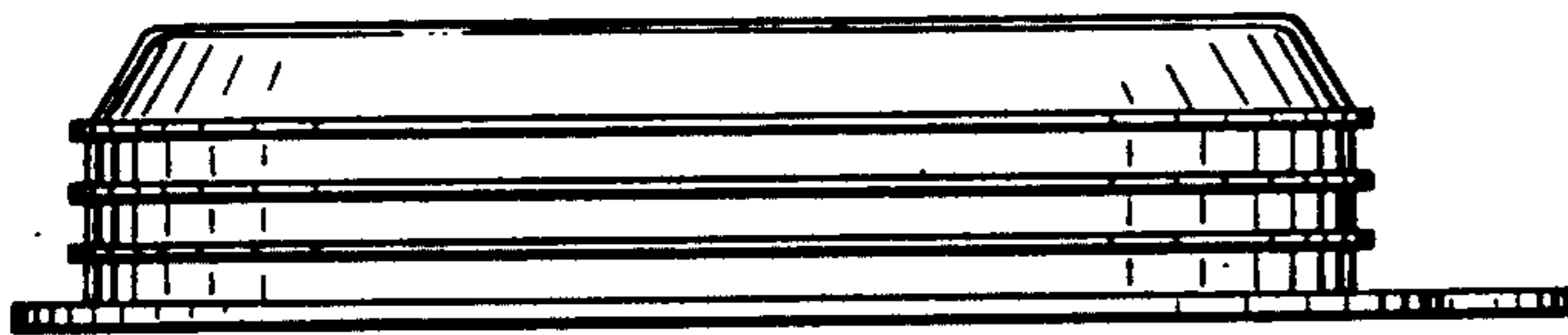


Fig.-3

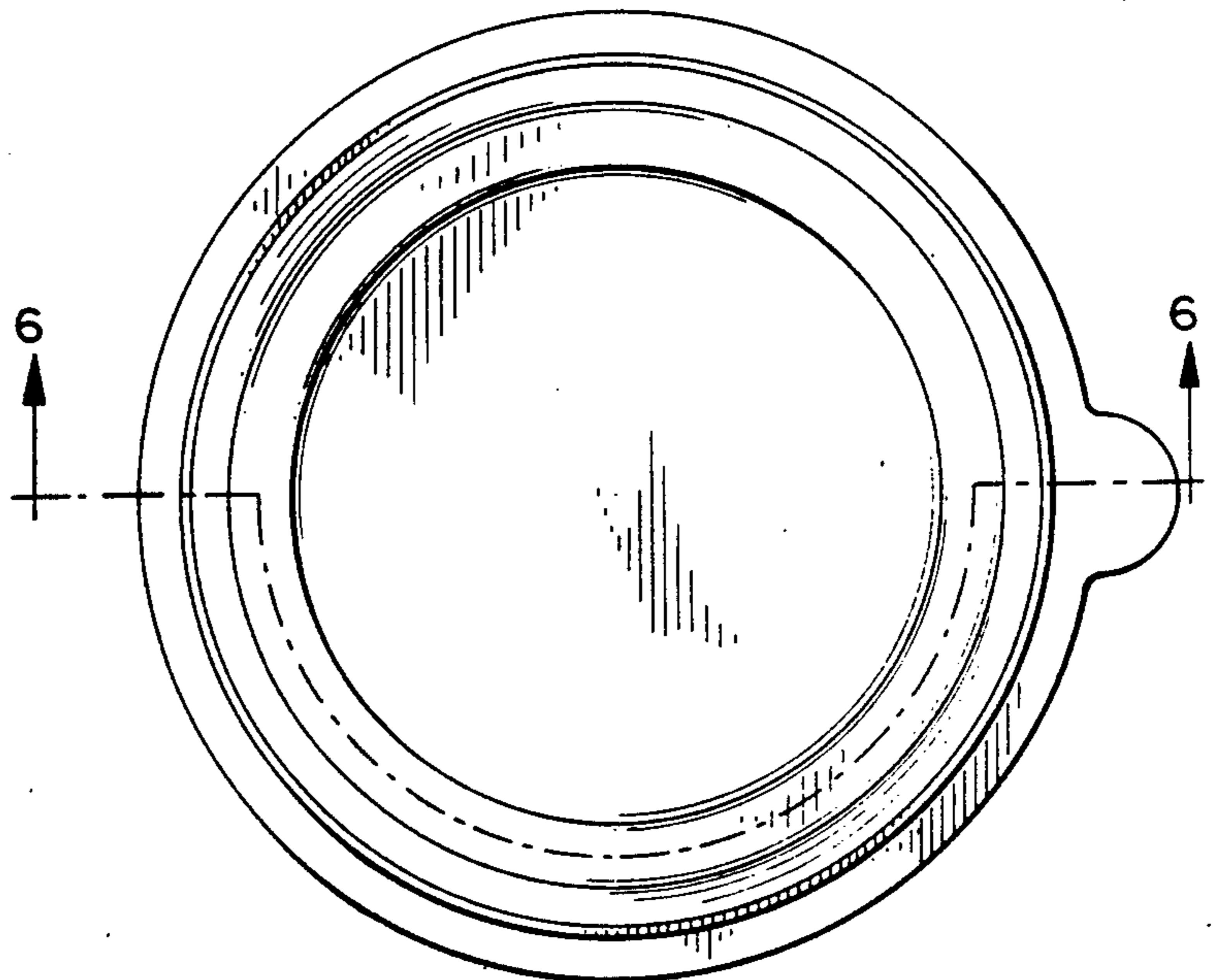


Fig.-4

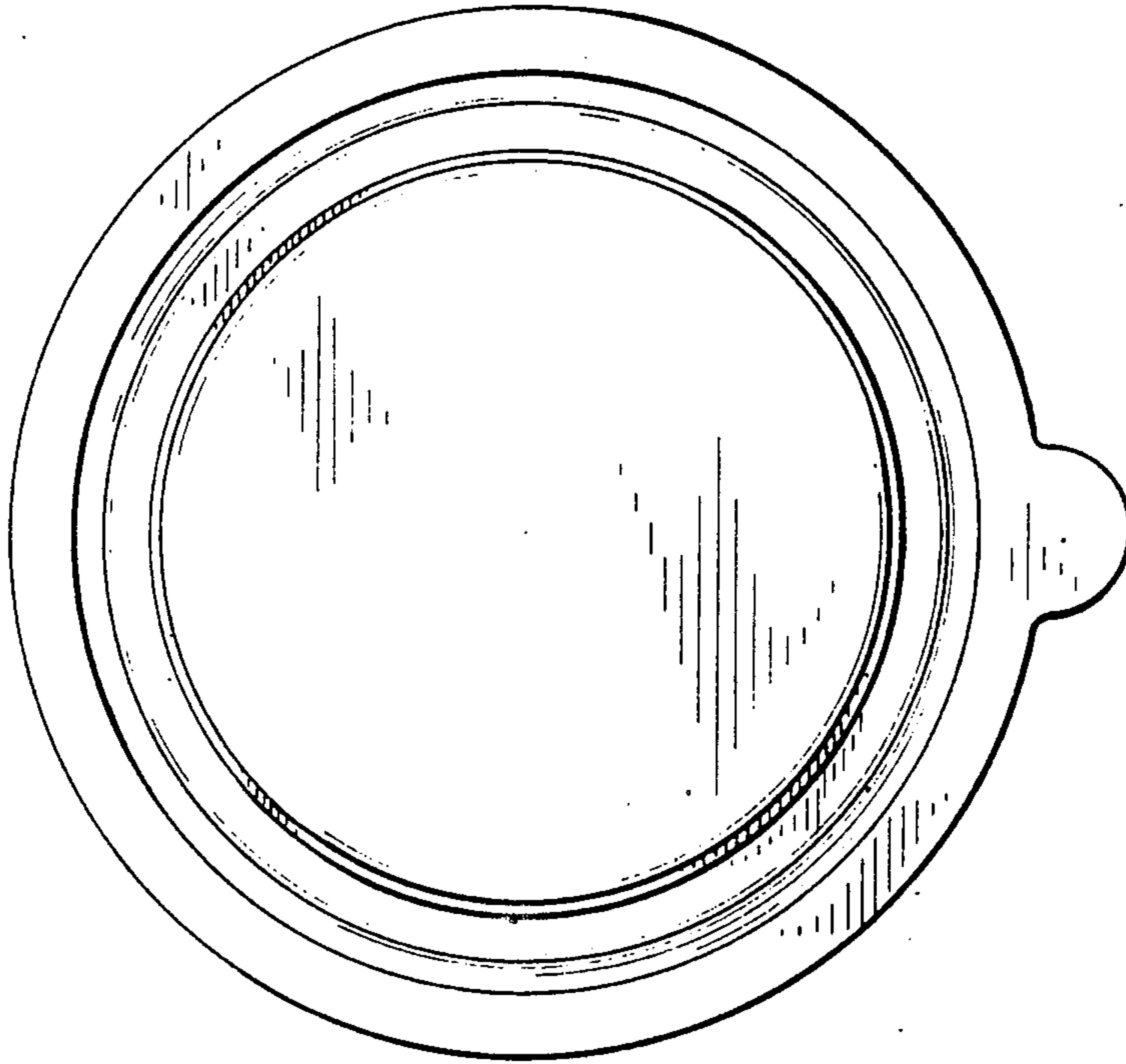


Fig.-5

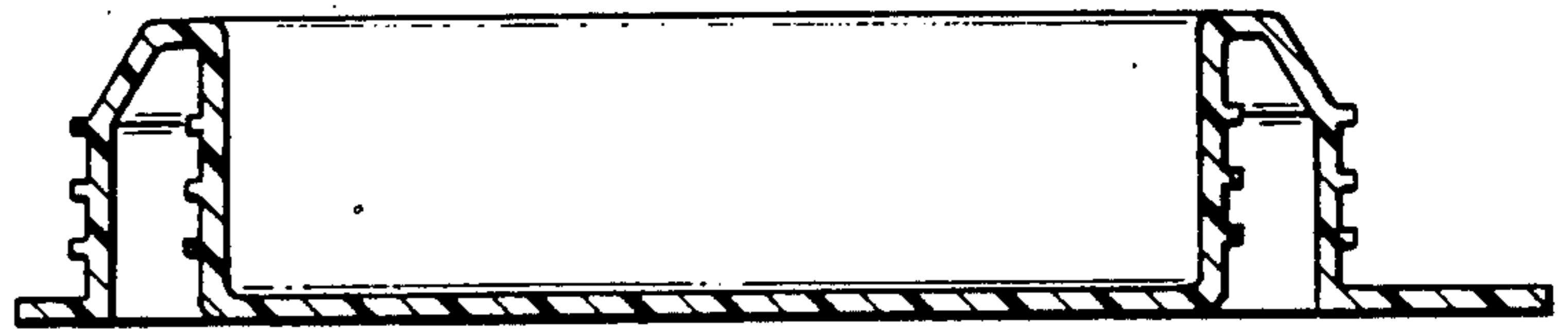


Fig.-6

