

[54] **CARTON WITH PARTIALLY OPEN ENDS**

[75] **Inventor: Richard L. Schuster, Monroe, La.**

[73] **Assignee: Manville Forest Products Corporation, Denver, Colo.**

[**] **Term: 14 Years**

[21] **Appl. No.: 417,758**

[22] **Filed: Oct. 5, 1989**

[52] **U.S. Cl. D9/418; D9/432**

[58] **Field of Search D9/415, 418, 432, 433, D9/337; 206/45.31, 45.34; 229/162, 122.2, 121**

[56] **References Cited**

U.S. PATENT DOCUMENTS

919,768	4/1909	Reber	229/162 X
2,828,060	3/1958	Brown	229/121 X
3,016,180	1/1962	Struble	229/162
3,193,152	7/1965	White, Jr.	229/121 X

3,695,505	10/1972	Wolf	229/120 X
3,704,823	12/1972	Howe	229/162 X
4,166,565	9/1979	Webinger	229/121 X

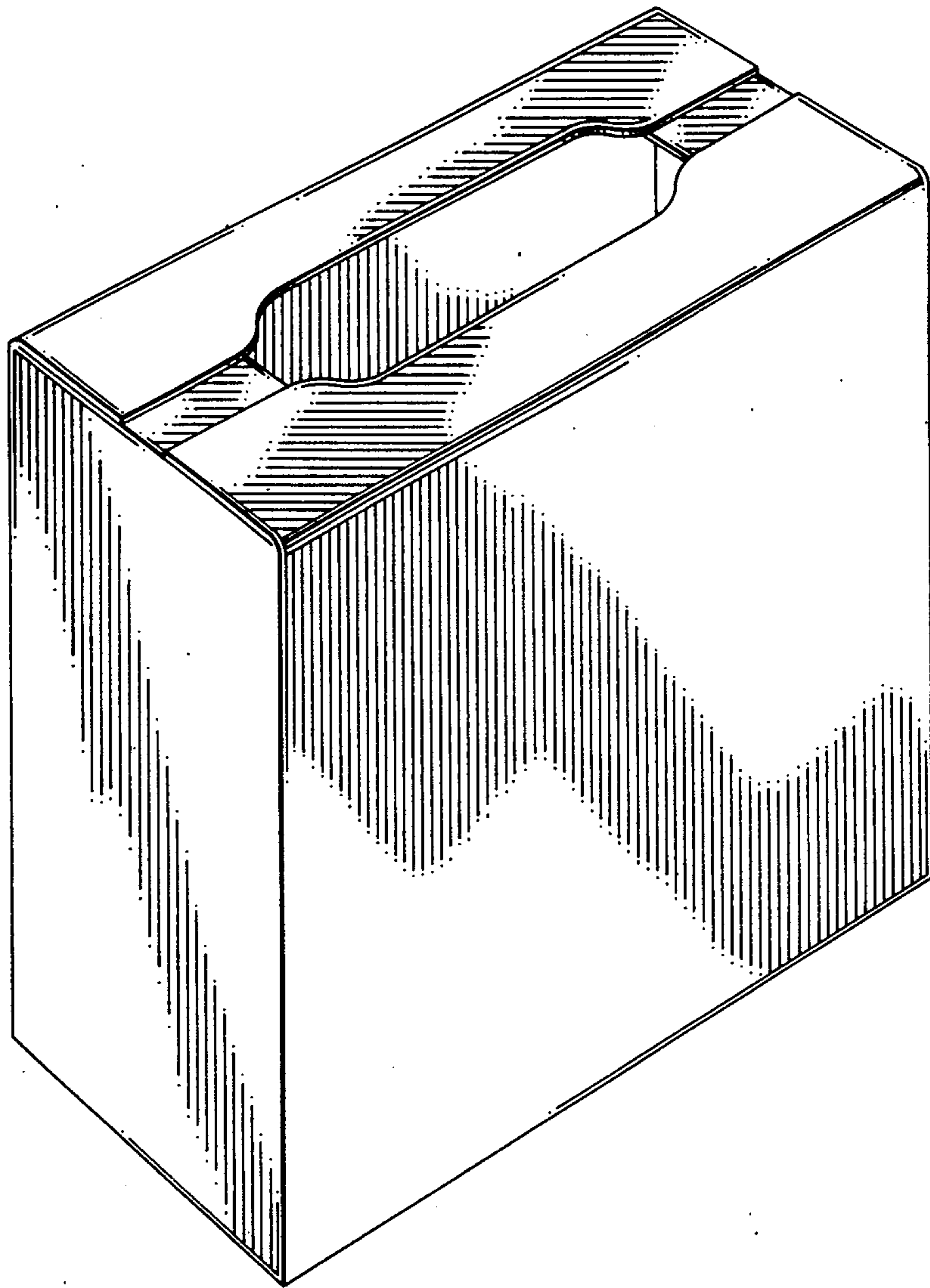
Primary Examiner—Bernard Ansher
Assistant Examiner—Prabhakar Deshmukh
Attorney, Agent, or Firm—John D. Lister

[57] **CLAIM**

The ornamental design for a carton with partially open ends, as shown and described.

DESCRIPTION

FIG. 1 is a perspective view of a carton with partially open ends showing my new design; FIG. 2 is a left side elevation thereof; the right side elevation being a mirror image thereof; FIG. 3 is a front elevation thereof; the bottom plan view being a mirror image thereof; and FIG. 4 is a top plan view thereof; the bottom plan view being a mirror image thereof.



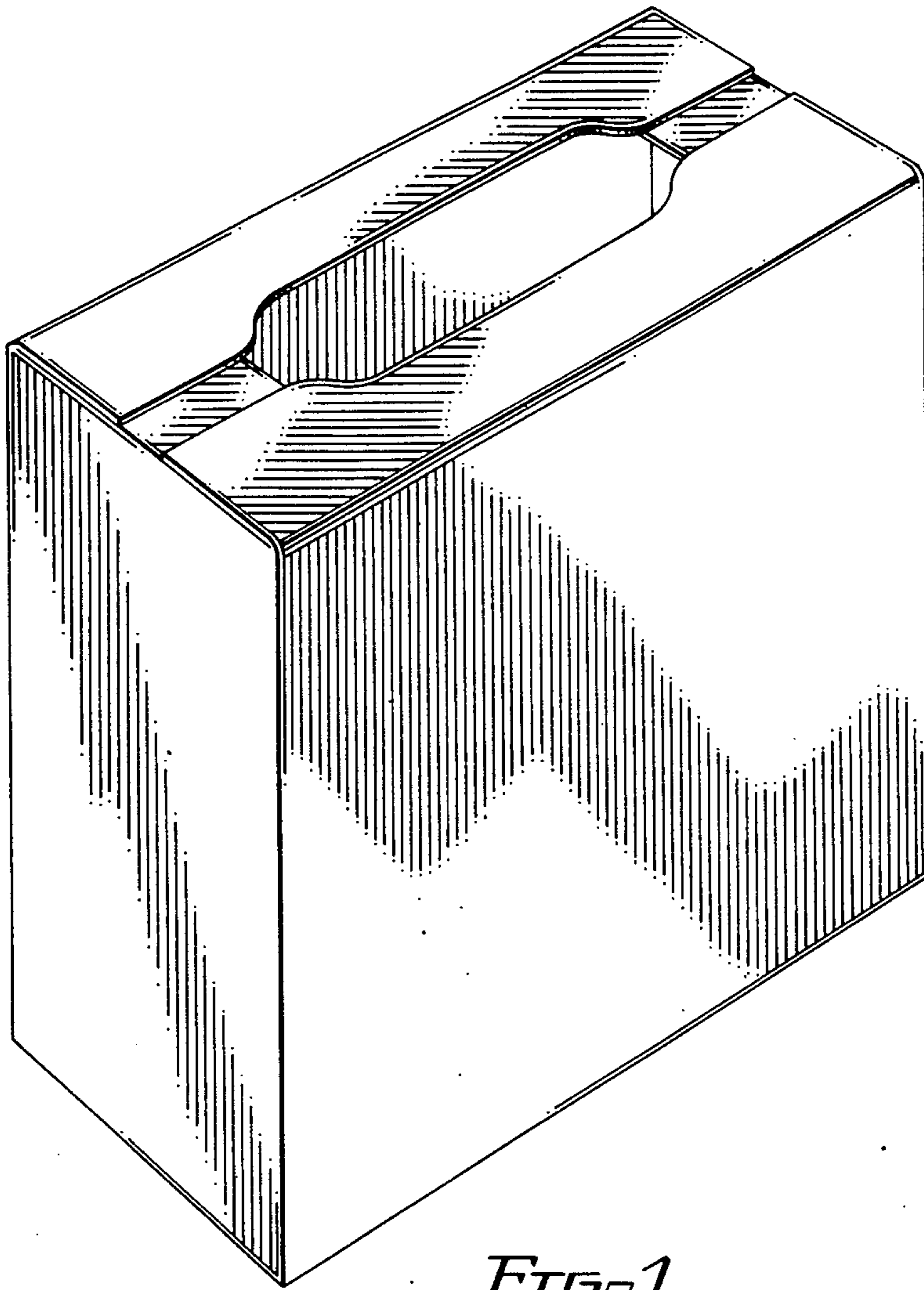


FIG. 1

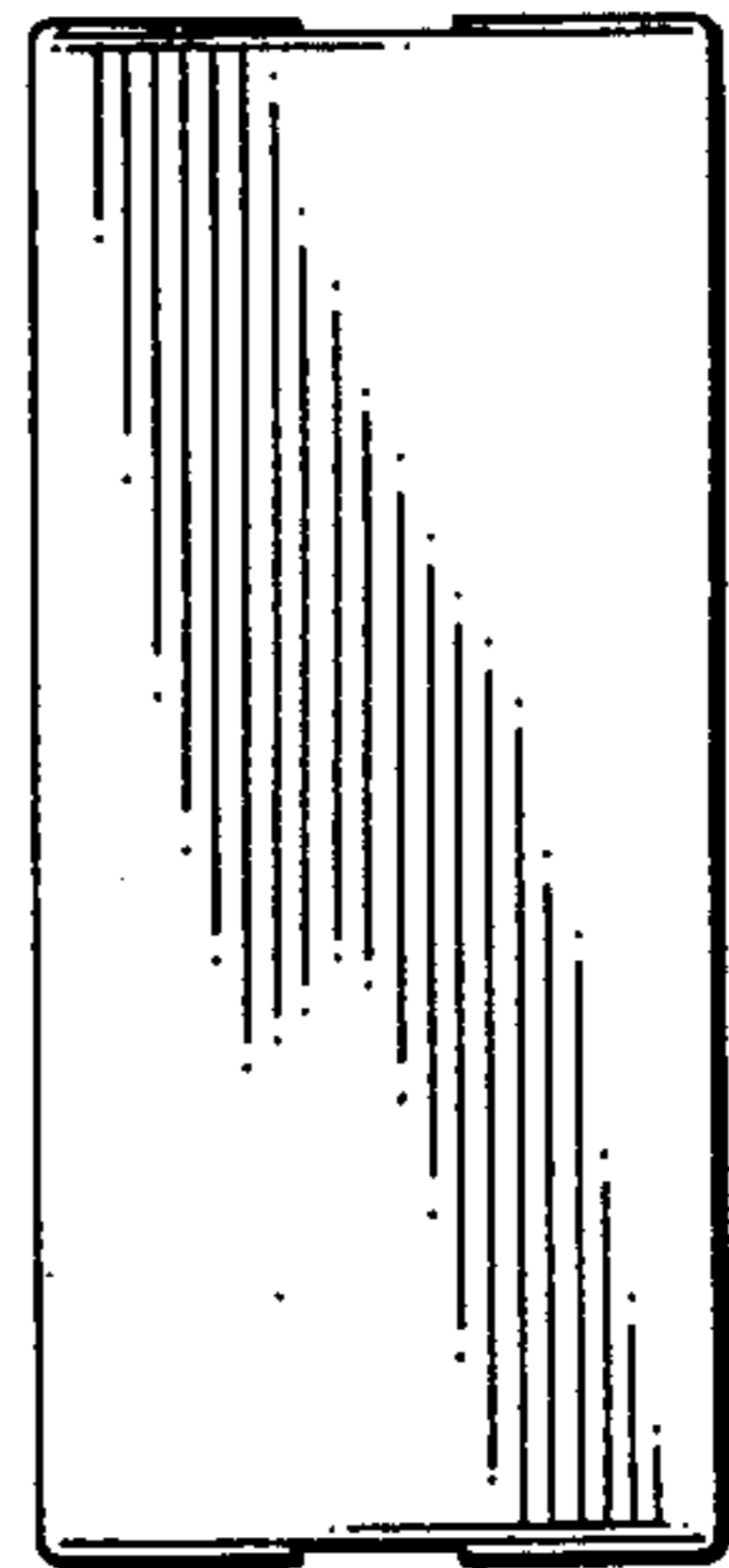


FIG. 2

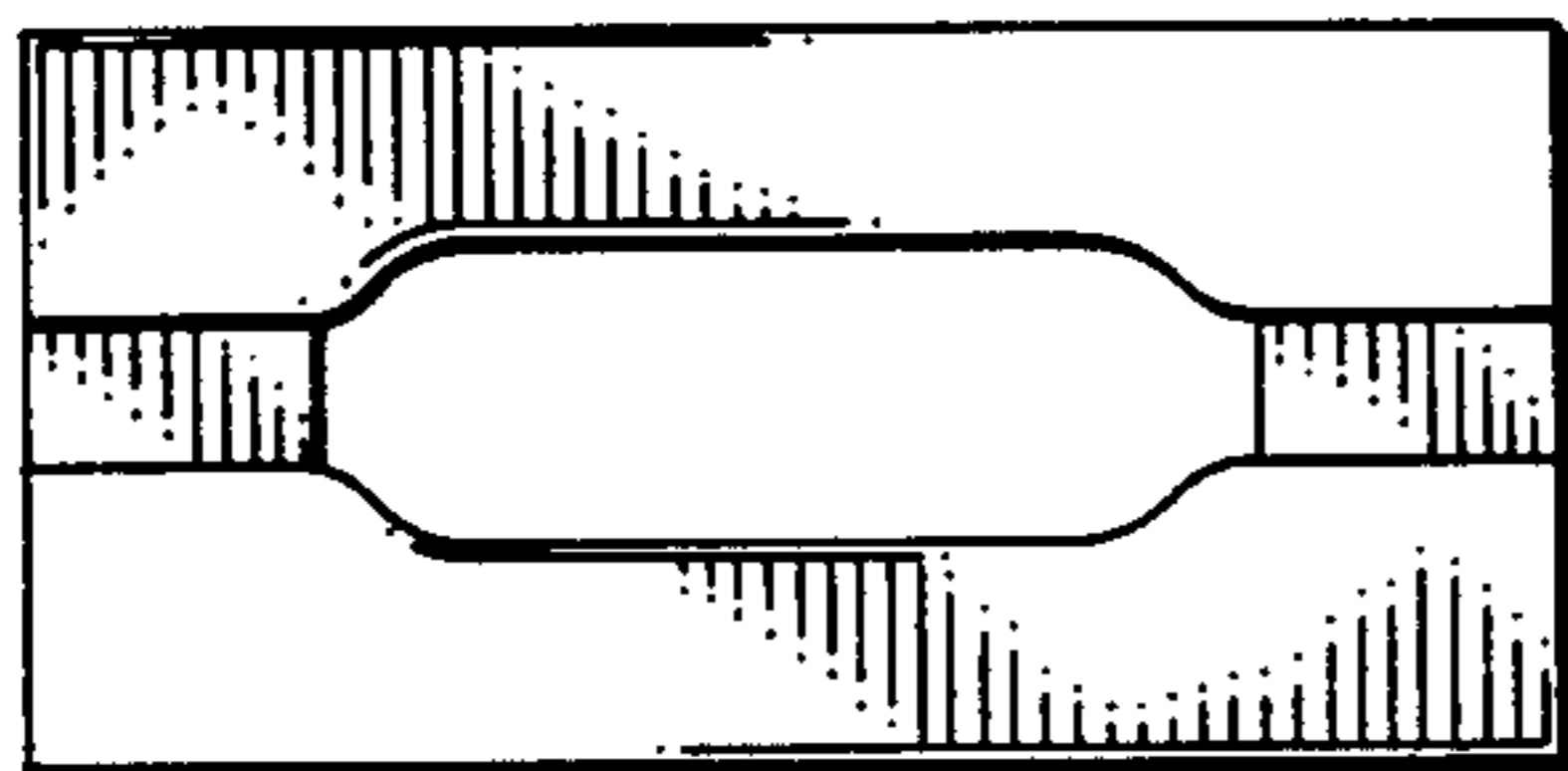


FIG. 4

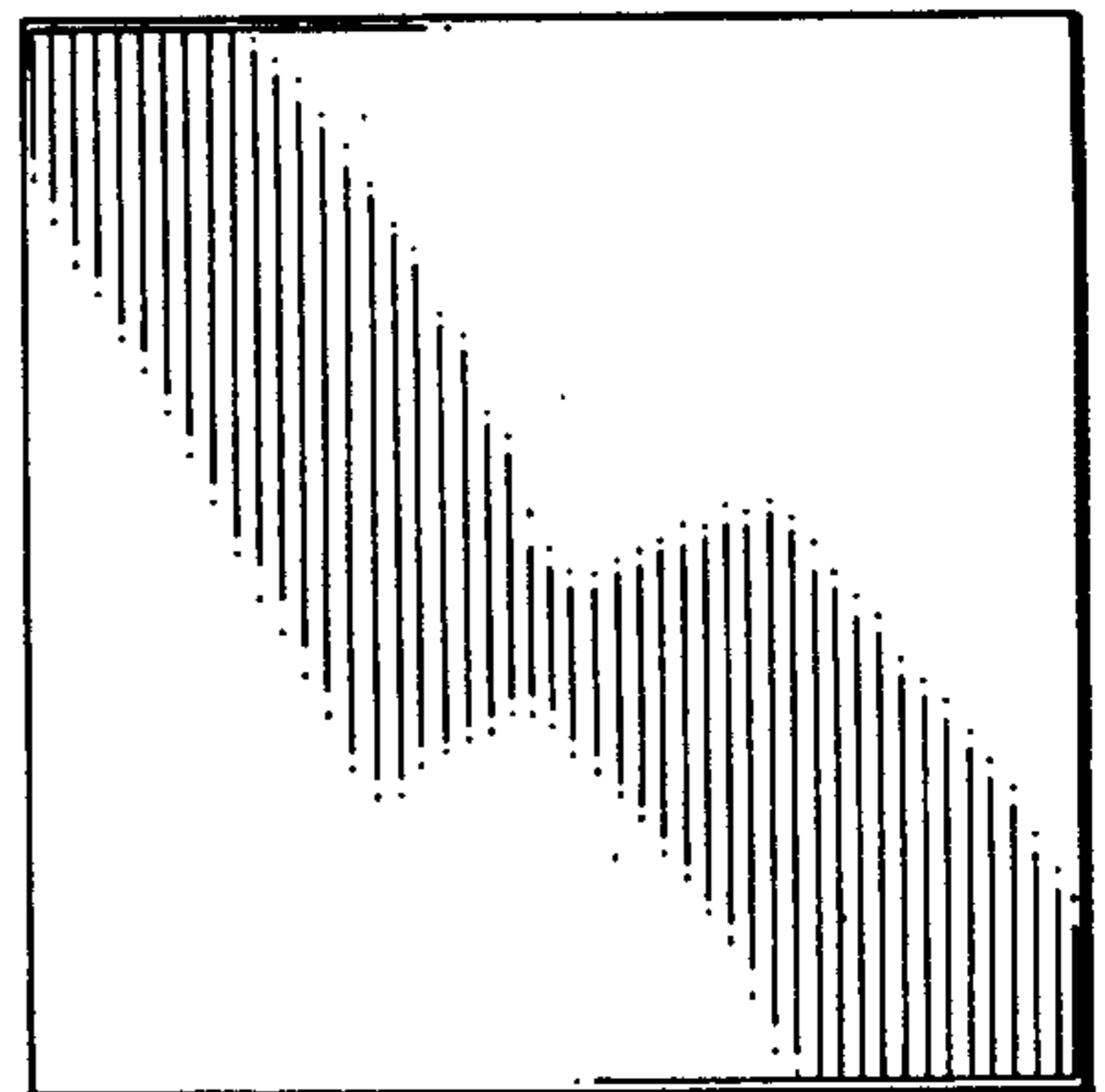


FIG. 3