

[54] COMBINED JAR AND LID

[75] Inventors: Robert Van Dine; John L. Boyle, both of Los Angeles, Calif.

[73] Assignee: St. Ives Laboratories, Inc., Chatsworth, Calif.

[\*\*] Term: 14 Years

[21] Appl. No.: 246,175

[22] Filed: Sep. 19, 1988

[52] U.S. Cl. .... D9/403; D9/401; D9/412

[58] Field of Search ..... D9/403-413, D9/370, 400, 401, 386, 435, 454; 215/1 R, 1 C

[56] References Cited

U.S. PATENT DOCUMENTS

D. 6,528	3/1873	Muller	.....	D9/401
D. 25,048	1/1896	Sherwood	.....	D9/412
D. 44,764	10/1913	Haley	.....	D9/386
D. 45,228	2/1914	Haley	.....	D9/400
D. 81,937	9/1930	McNally	.....	D9/400
D. 101,563	10/1936	Smith	.....	D9/401
D. 208,379	8/1967	Schnur	.....	D9/400
D. 236,690	9/1975	Oliveira	.....	D9/401
4,832,220	5/1989	Quennessen	.....	D9/377 X

OTHER PUBLICATIONS

Food Processing & Marketing, Nov. 1965, p. 451, "Aunt Jane's Relish" jars, photo no. 3.

Beauty Fashion, Apr. 1980, p. 119, Fabriella jar, lower left photo, top jar.

Beauty Fashion, May, 1984, p. 80, faceted jar, 3rd from left.

Primary Examiner—Melvin B. Feifer

Assistant Examiner—Lucy Lieberman

Attorney, Agent, or Firm—Spensley Horn Jubas & Lubitz

[57] CLAIM

The ornamental design for a combined jar and lid, as shown and described.

DESCRIPTION

FIG. 1 is a top, front perspective view of a combined jar and lid showing our new design;

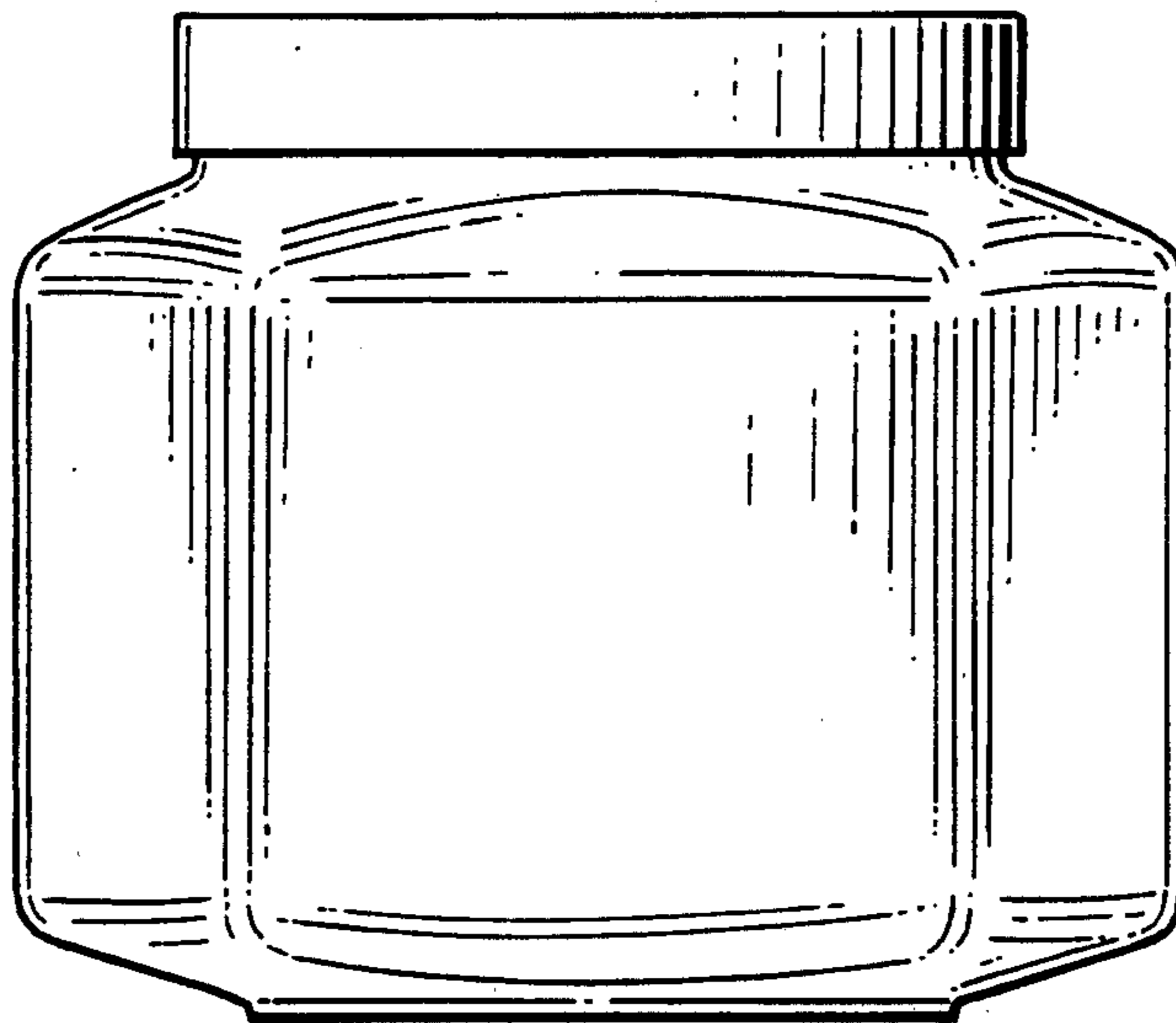
FIG. 2 is a front elevation thereof, the rear elevation is the same;

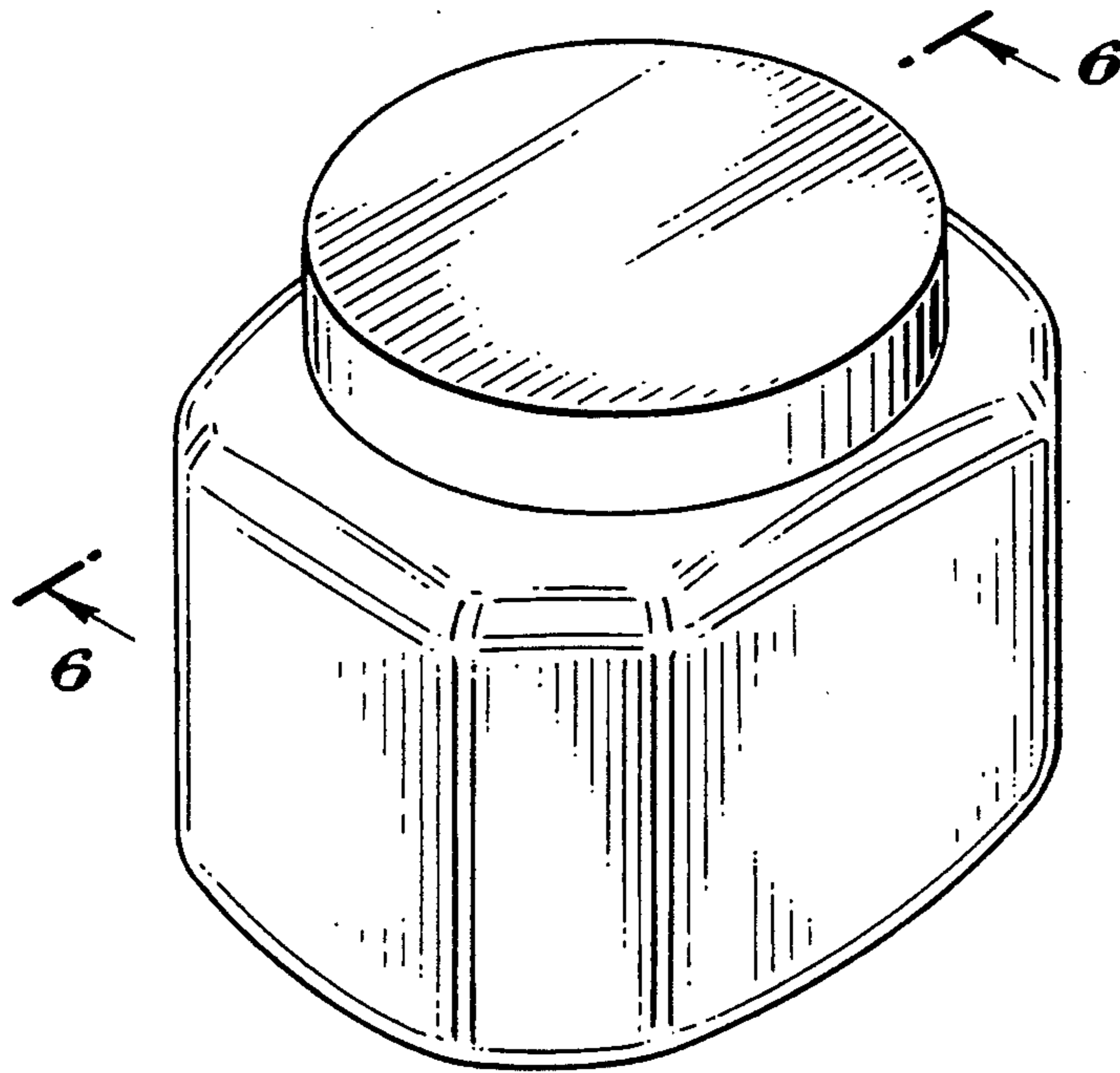
FIG. 3 is a side elevation thereof, the opposite side is the same;

FIG. 4 is a top plan view thereof;

FIG. 5 is a bottom plan view thereof; and

FIG. 6 is a cross sectional view taken along line 6—6 in FIG. 1.





*FIG. 1*

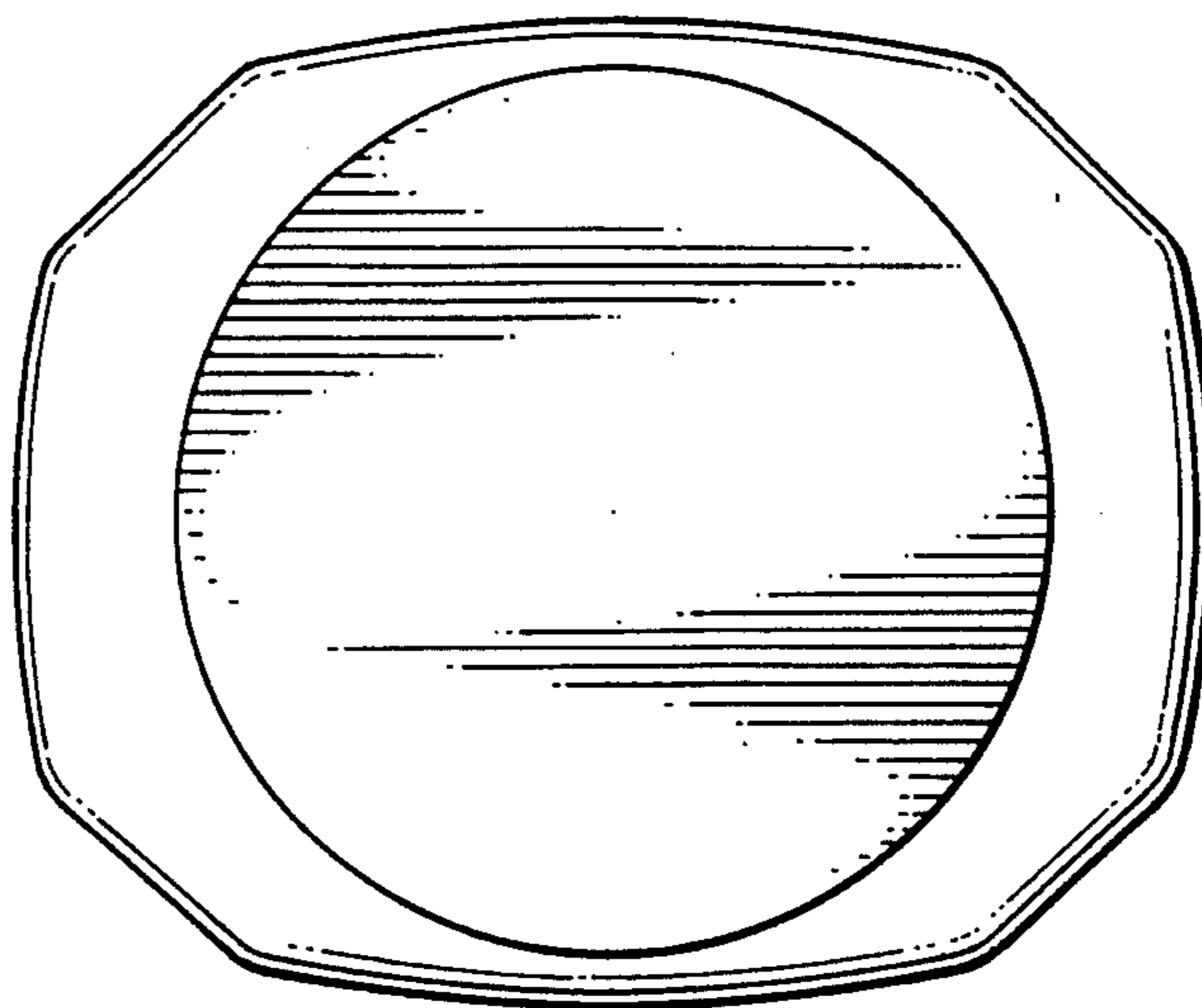
*FIG. 2*



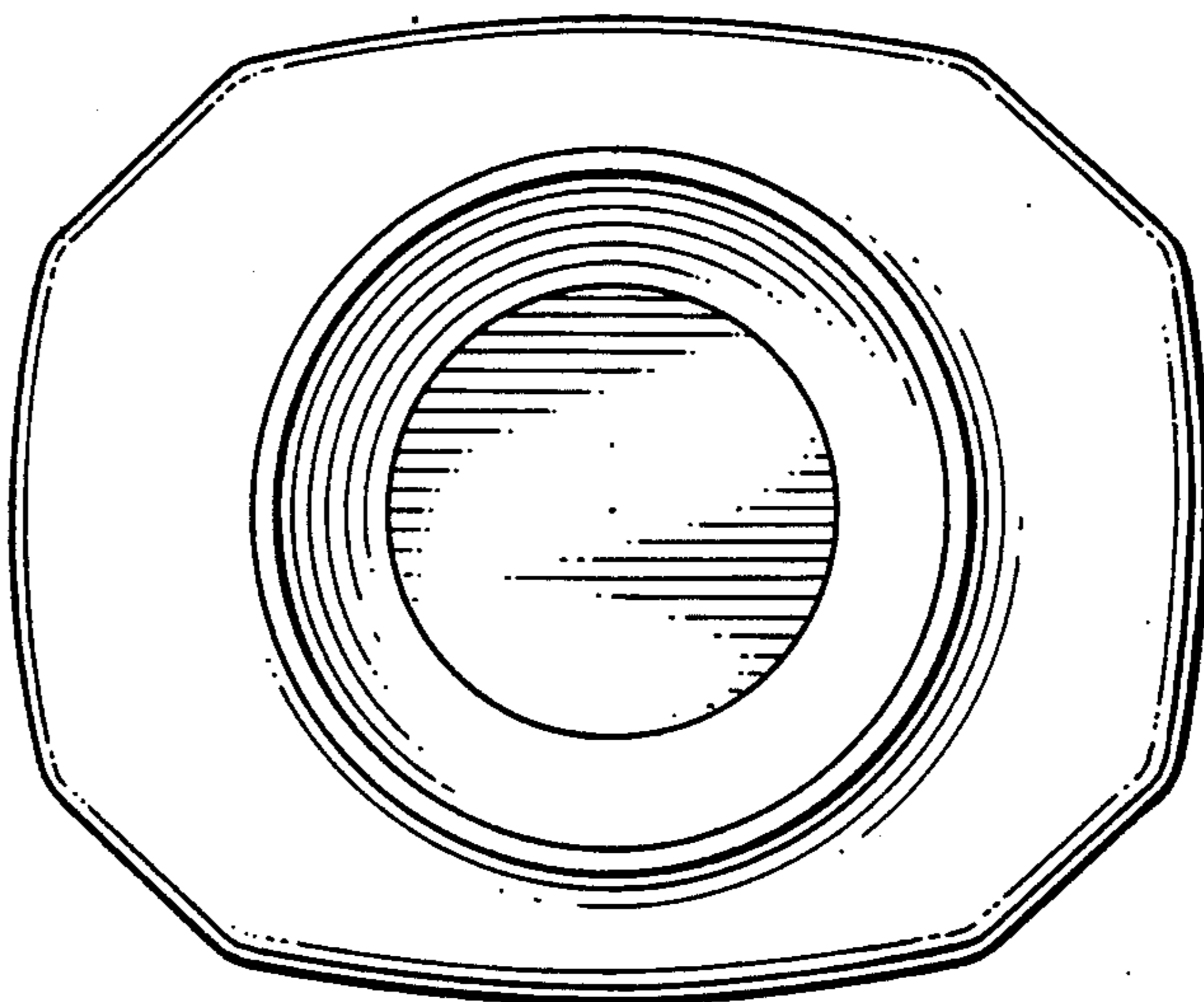
*FIG. 3*



*Fig. 4*



*Fig. 5*



*Fig. 6*

