

[54] DISPENSING CLOSURE

[76] Inventor: Vyrene S. Wilson, 19323 Carolina Cir., Boca Raton, Fla. 33434

[**] Term: 14 Years

[21] Appl. No.: 280,194

[22] Filed: Dec. 2, 1988

[52] U.S. Cl. D9/447; D9/451

[58] Field of Search D9/434, 435, 445, 447, D9/451; 220/90.2-90.6, 96, 335, 338, 339, 375, 379; 222/534, 542, 556, 569, 570

[56] References Cited

U.S. PATENT DOCUMENTS

- D. 187,421 3/1960 Jorgensen .
- D. 229,038 11/1973 Schutz D9/447
- D. 242,108 11/1976 Dart D9/447
- D. 242,128 11/1976 Chase D9/447
- D. 254,482 3/1980 Bell .
- D. 288,139 2/1987 van Berne .
- 2,620,093 12/1952 Rose .
- 2,715,982 8/1955 Preston .
- 2,842,167 7/1958 Tupper .

- 3,980,213 9/1976 Ramsey .
- 4,034,901 7/1977 Kirk .
- 4,243,156 1/1981 Lobbetael D9/447
- 4,353,489 10/1982 Arnold .
- 4,782,975 11/1988 Coy 220/90.4
- 4,915,250 4/1990 Hayes, Jr. 220/90.4

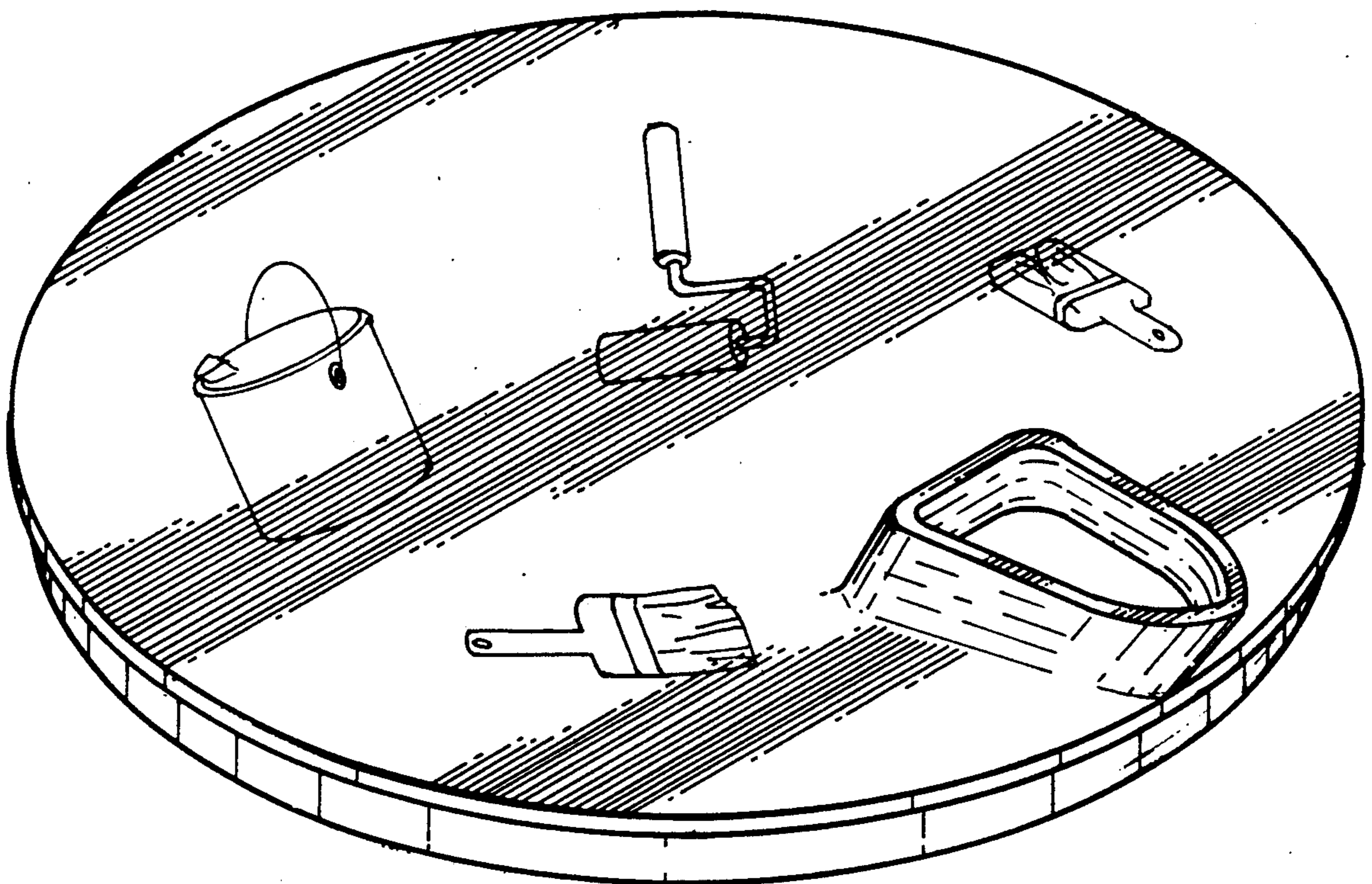
Primary Examiner—B. J. Bullock
Assistant Examiner—Dominic Simone
Attorney, Agent, or Firm—Terry M. Gernstein

[57] CLAIM

The ornamental design for a dispensing closure, as shown.

DESCRIPTION

FIG. 1 is a top perspective view of a dispensing closure showing my new design;
FIG. 2 is a top plan view thereof;
FIG. 3 is a bottom plan view thereof;
FIG. 4 is a side elevational view thereof;
FIG. 5 is a front elevational view thereof;
FIG. 6 is a side elevational view thereof, opposite the side shown in FIG. 4;
FIG. 7 is a rear elevational view thereof.



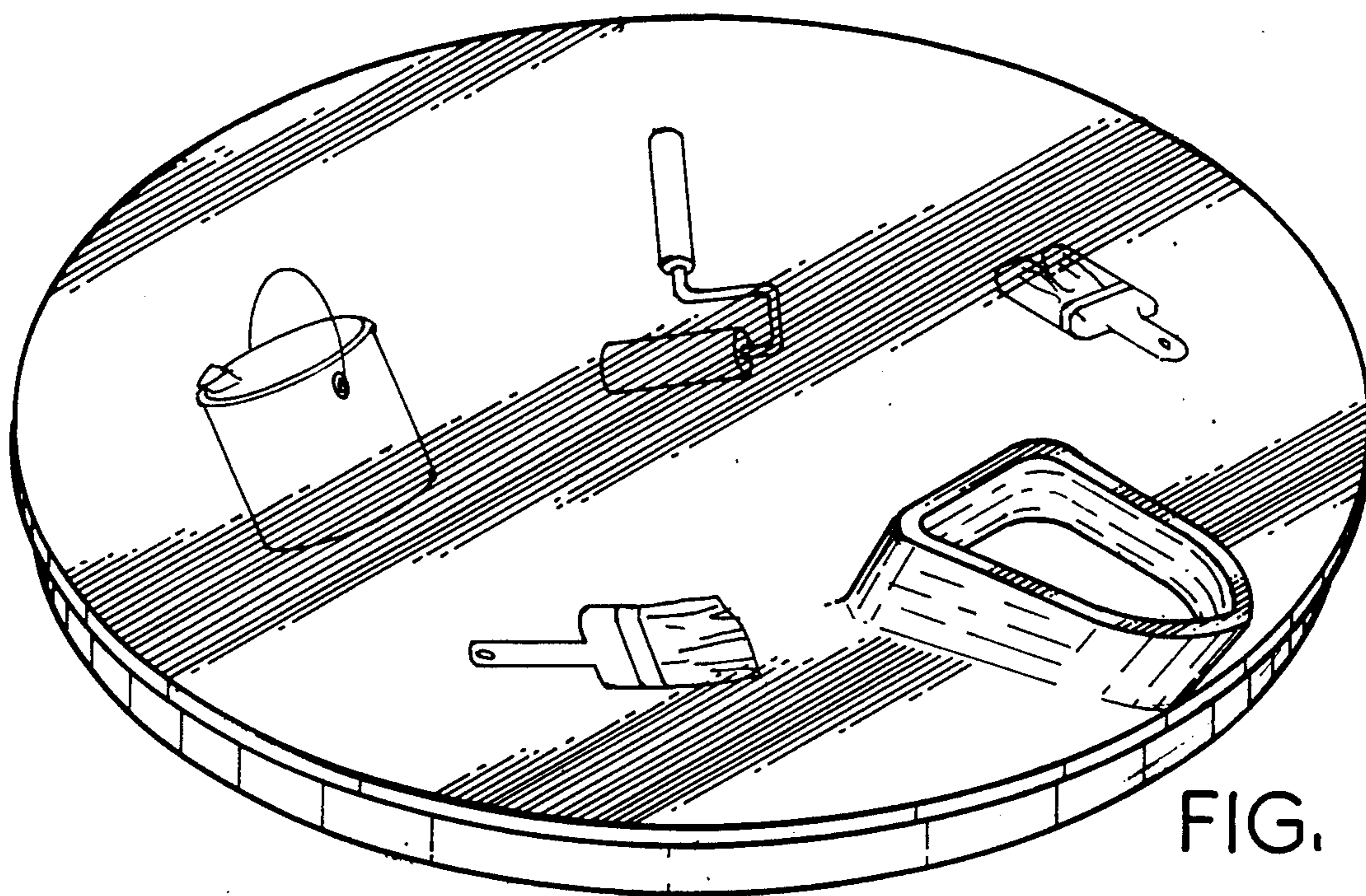


FIG. 1

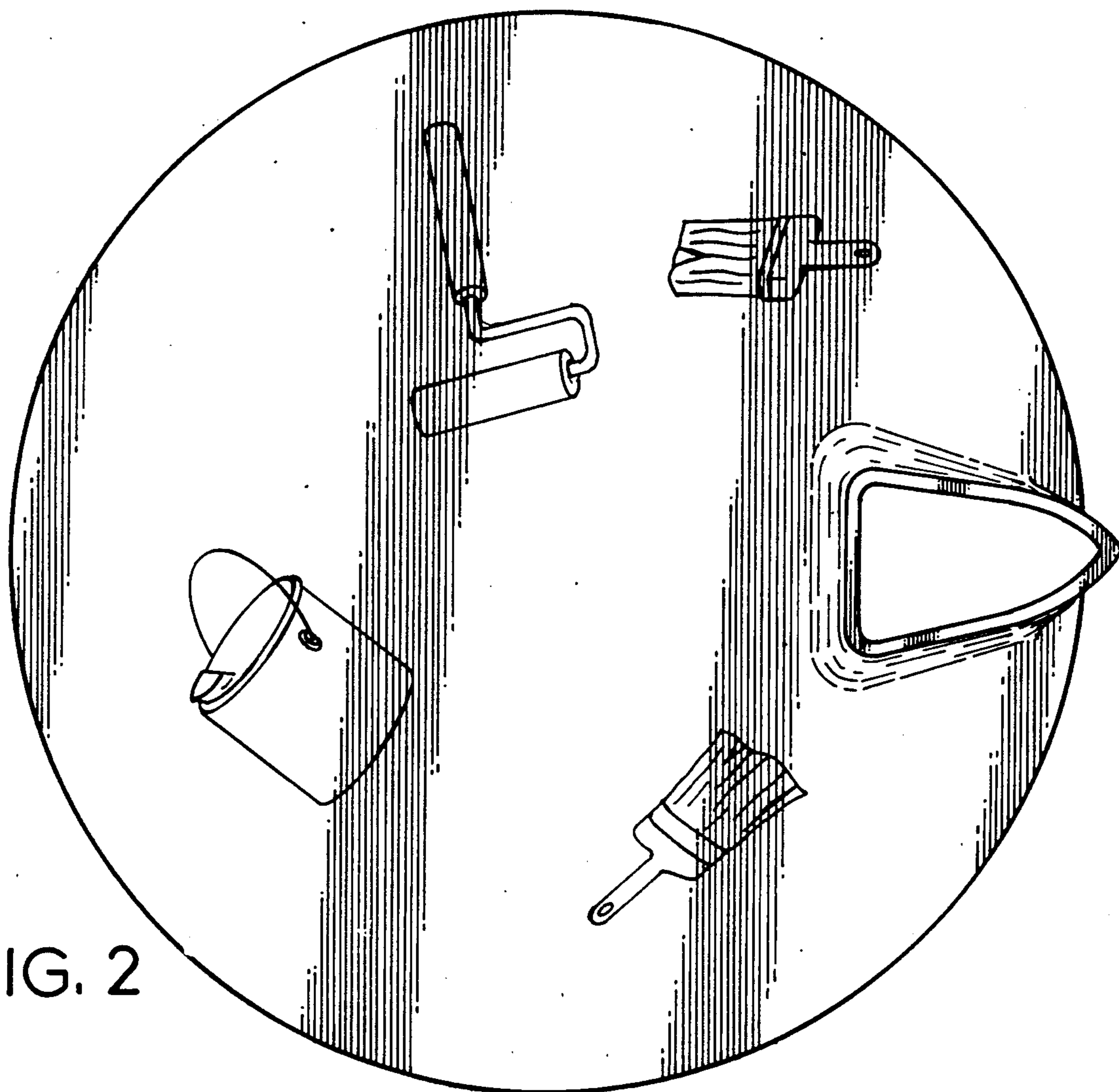


FIG. 2

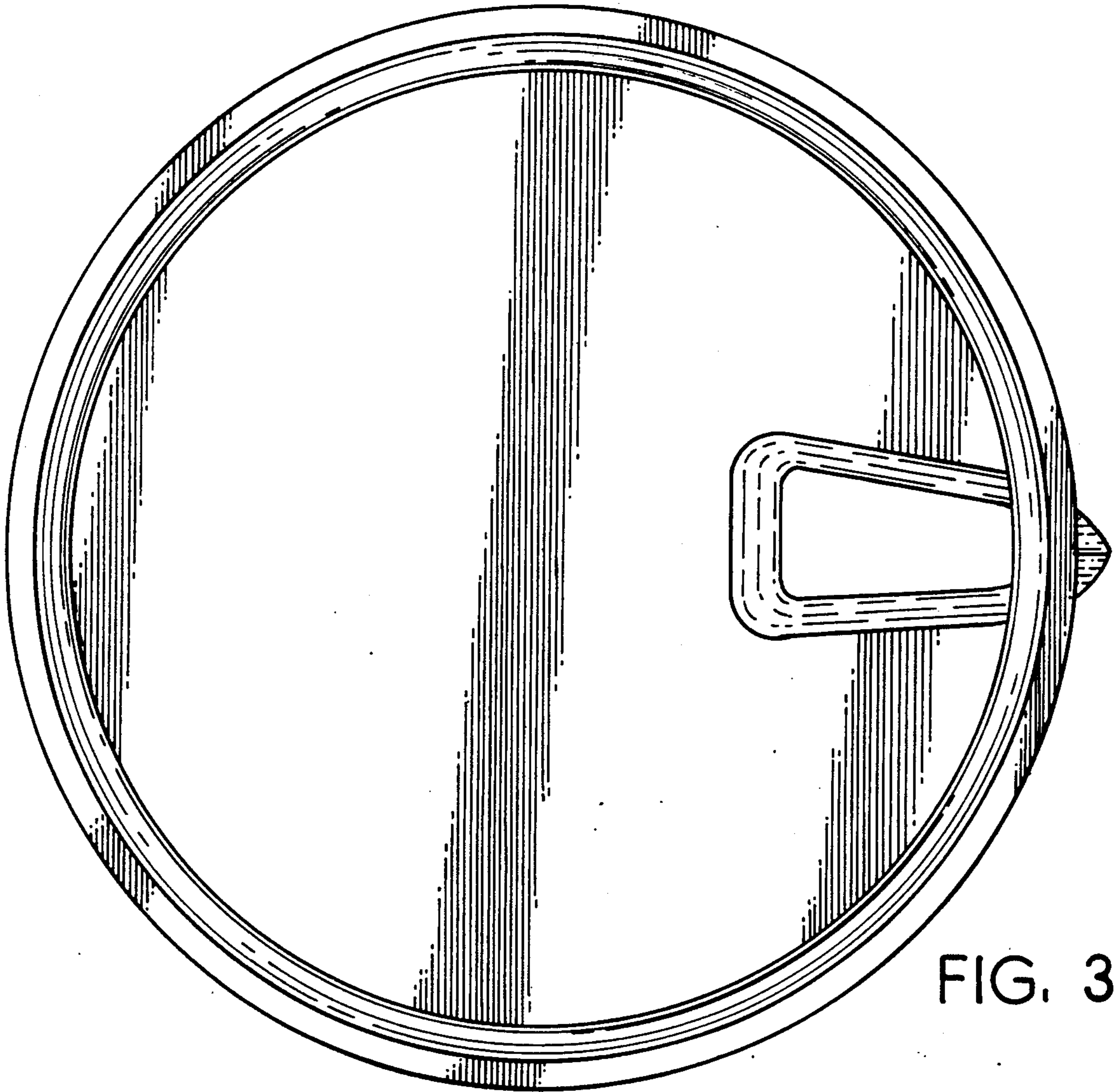


FIG. 3

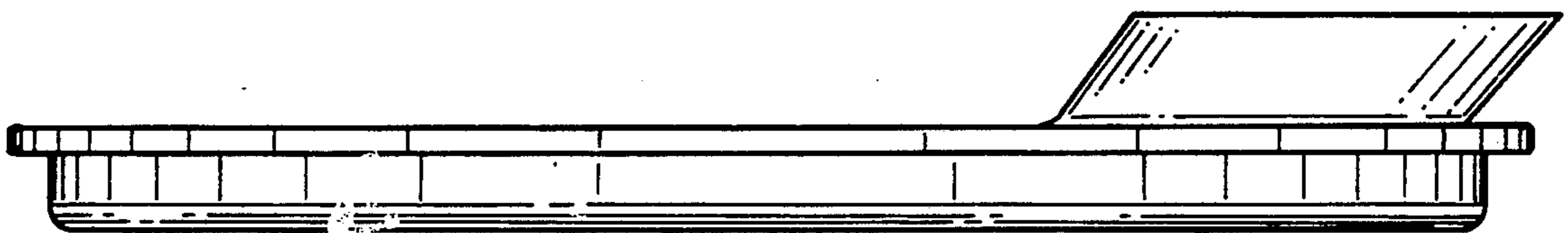


FIG. 4

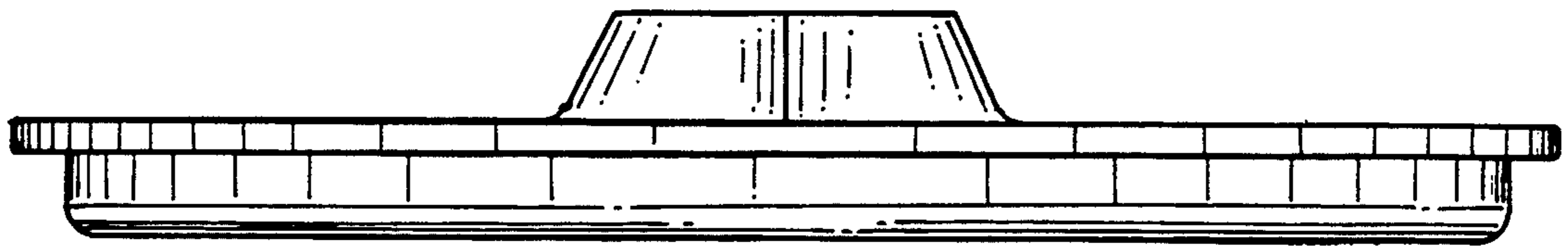


FIG. 5

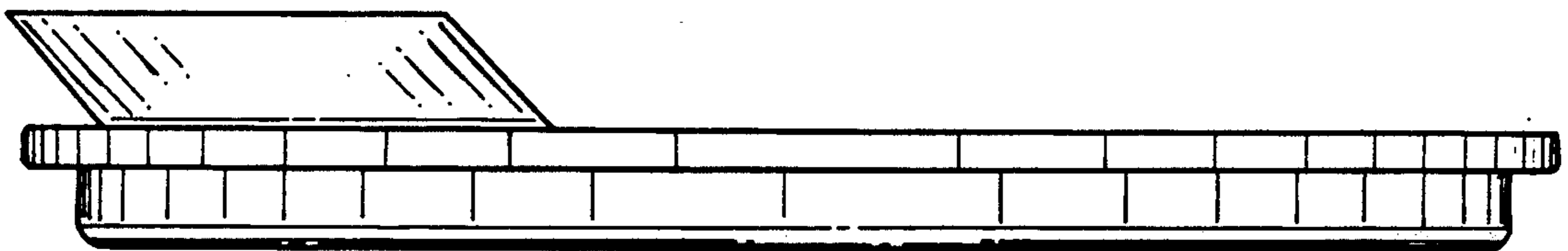


FIG. 6

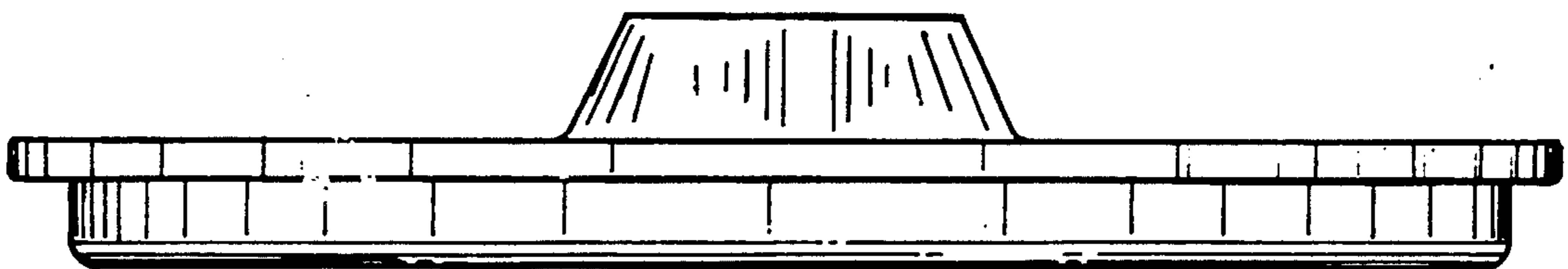


FIG. 7