

[54] **MOUNTING BRACKET**

[76] Inventor: **John A. Blatt, 47 Willison, Grosse Pointe Shores, Mich. 48026**

[**] Term: **14 Years**

[21] Appl. No.: **519,676**

[22] Filed: **May 7, 1990**

Related U.S. Application Data

[62] Division of Ser. No. 271,083, Nov. 14, 1988, Pat. No. Des. 315,094.

[52] U.S. Cl. **D8/396**

[58] Field of Search **D8/382, 396; 24/329, 24/335; 248/225.31, 229, 230, 231.6; 414/737; 403/385, 389, 391**

[56] **References Cited**

U.S. PATENT DOCUMENTS

229,670	7/1880	Carrick .	
1,056,576	3/1913	Olson .	
1,468,110	9/1923	Howe .	
1,929,361	10/1933	Liljebladh	271/27
2,212,156	8/1940	Erdley	24/81
2,295,051	9/1942	Roth	24/81
2,452,406	10/1948	Volkery et al.	24/81
2,469,542	5/1949	Becker	24/81
2,565,793	8/1951	Weismantel	248/362
2,651,026	9/1953	Roth	339/246
2,686,029	8/1954	Raymond	248/41
2,769,895	11/1956	Boord	240/6.41
2,791,623	5/1957	Lock et al.	174/94
2,858,522	10/1958	Wengen et al.	339/264

2,866,657	12/1958	Duffy	287/54
3,146,982	9/1964	Budnick	248/68
3,161,721	12/1964	Torr	174/40
3,349,927	10/1967	Blatt	214/1
3,568,959	3/1971	Blatt	294/64
3,613,904	10/1971	Blatt	214/1 BV
3,677,584	7/1972	Short	287/49
3,712,415	1/1973	Blatt	181/60
3,963,855	6/1976	Hawkins et al.	174/40 R
4,275,872	6/1981	Mullis	269/72
4,355,922	10/1982	Sato	403/385
4,443,128	4/1984	Yamamoto et al.	403/385
4,453,755	6/1984	Blatt	294/64 A
4,479,661	10/1984	Weigl	280/279
4,480,497	11/1984	Locher	74/531
4,495,834	1/1985	Bauer et al.	74/493
4,708,297	11/1987	Boers	242/7.05 B

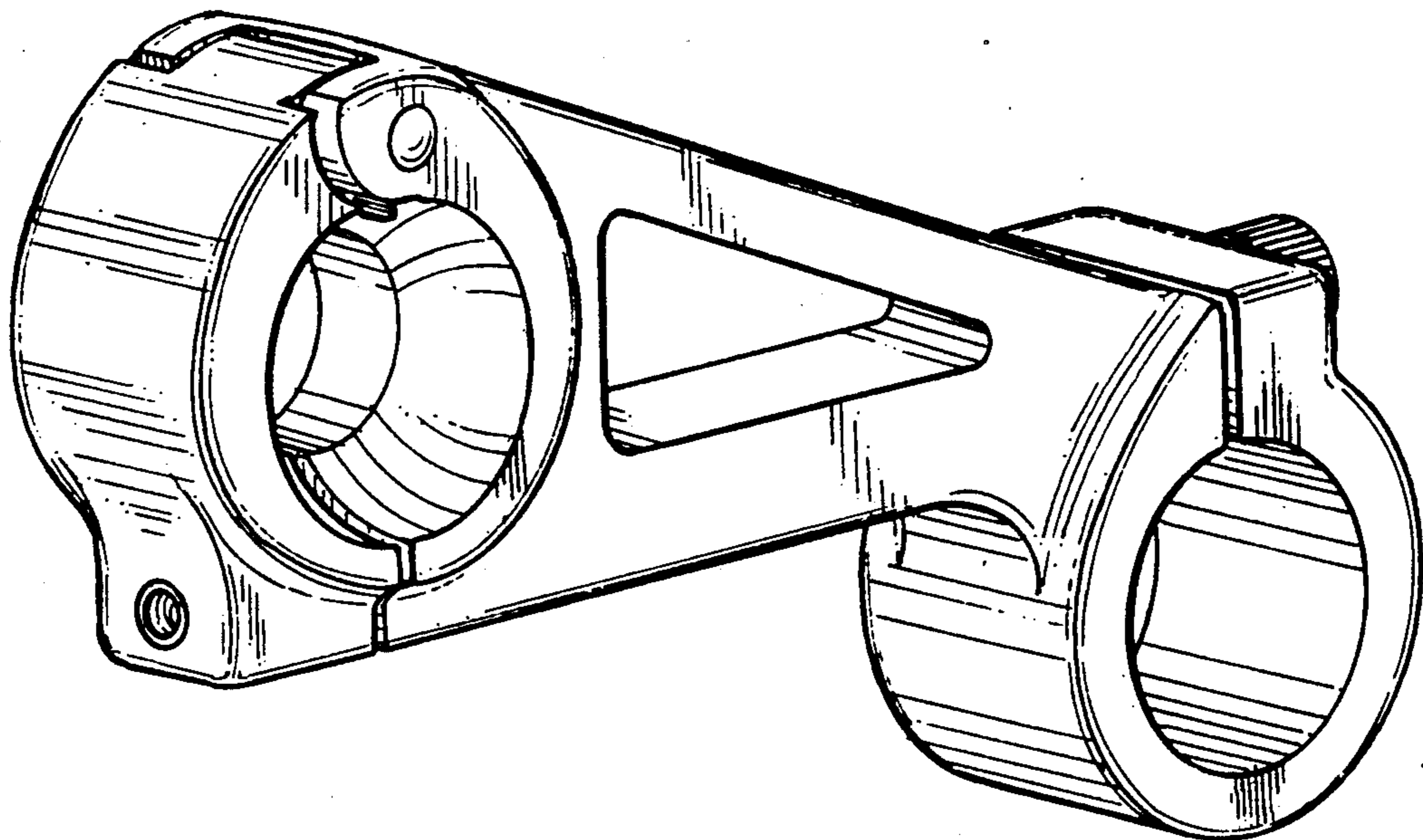
Primary Examiner—B. J. Bullock
Attorney, Agent, or Firm—Basile and Hanlon

[57] **CLAIM**

The ornamental design for a mounting bracket, as shown.

DESCRIPTION

FIG. 1 is a side elevational view of a mounting bracket showing my new design;
FIG. 2 is a side elevational view of the side opposite that shown in FIG. 1;
FIG. 3 is a top plan view thereof;
FIG. 4 is a bottom plan view thereof;
FIG. 5 is a right elevational view thereof;
FIG. 6 is a left end elevational view thereof; and
FIG. 7 is a perspective view thereof.



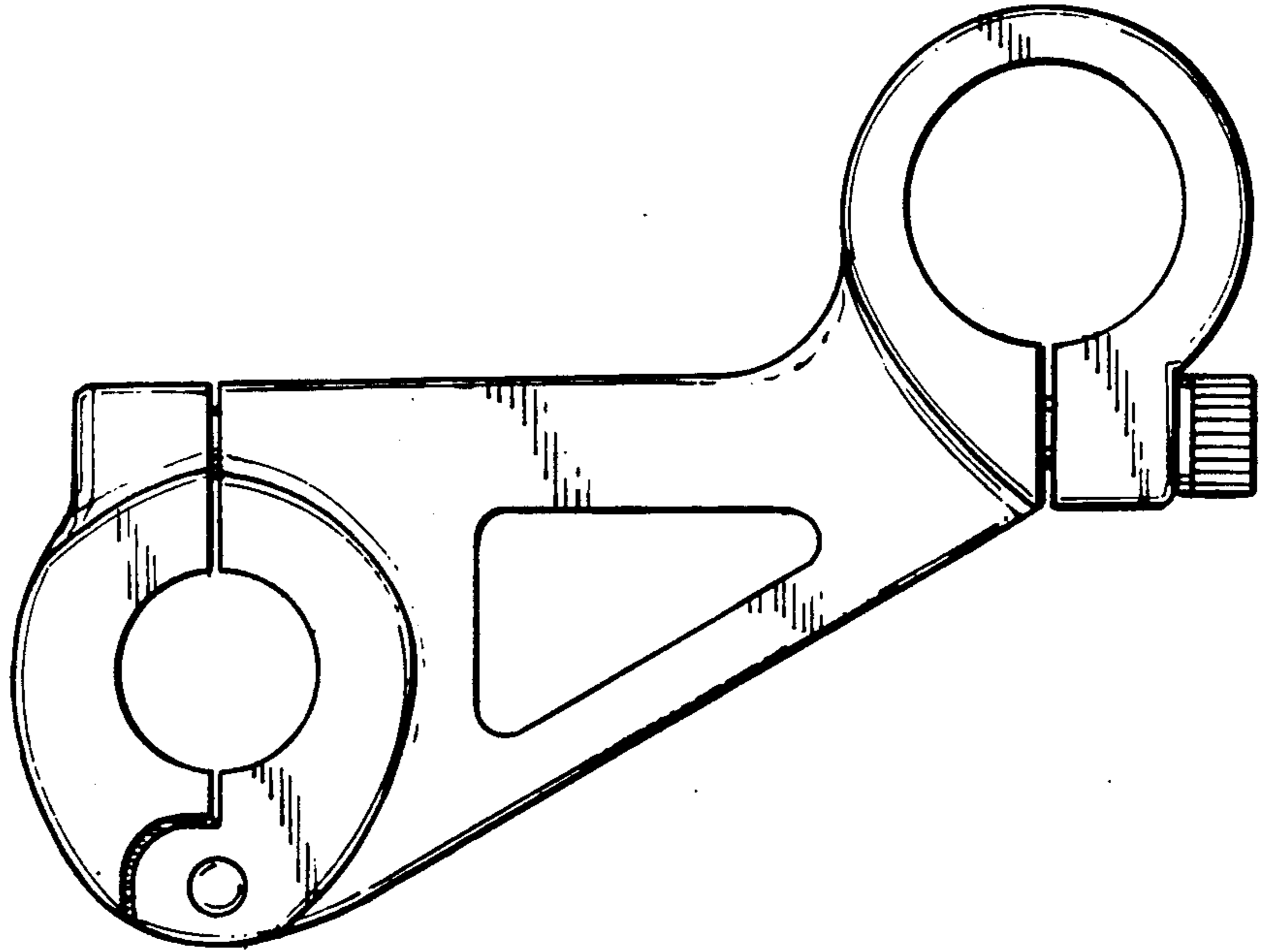


FIG - 2

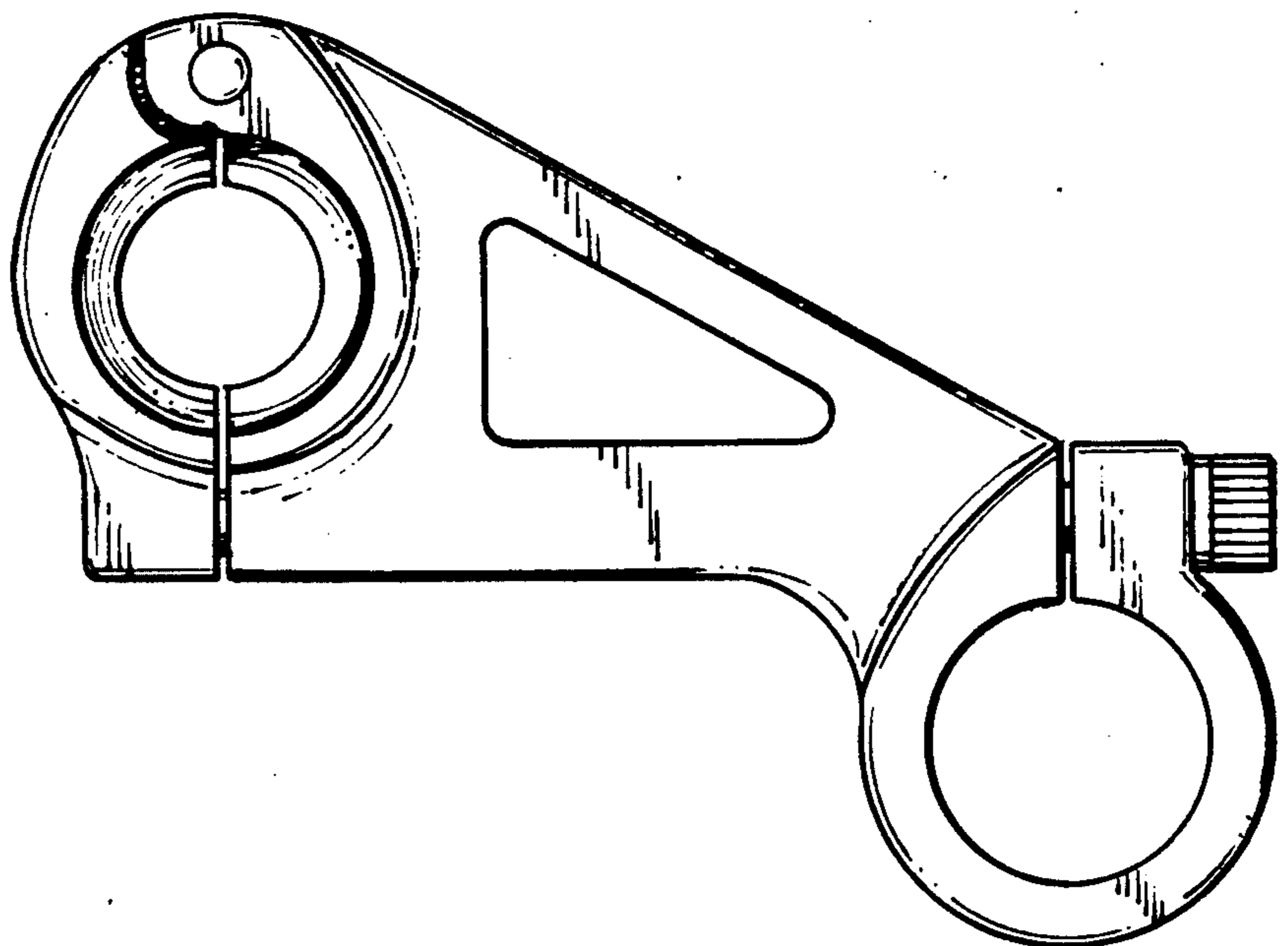


FIG - 1

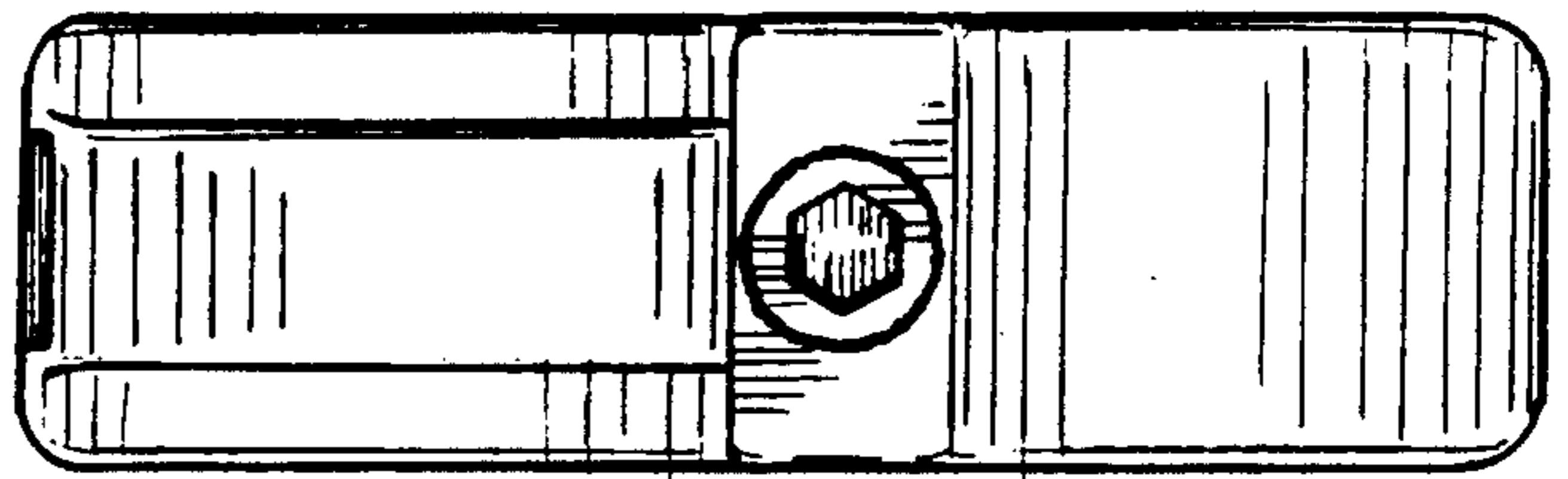


FIG-5

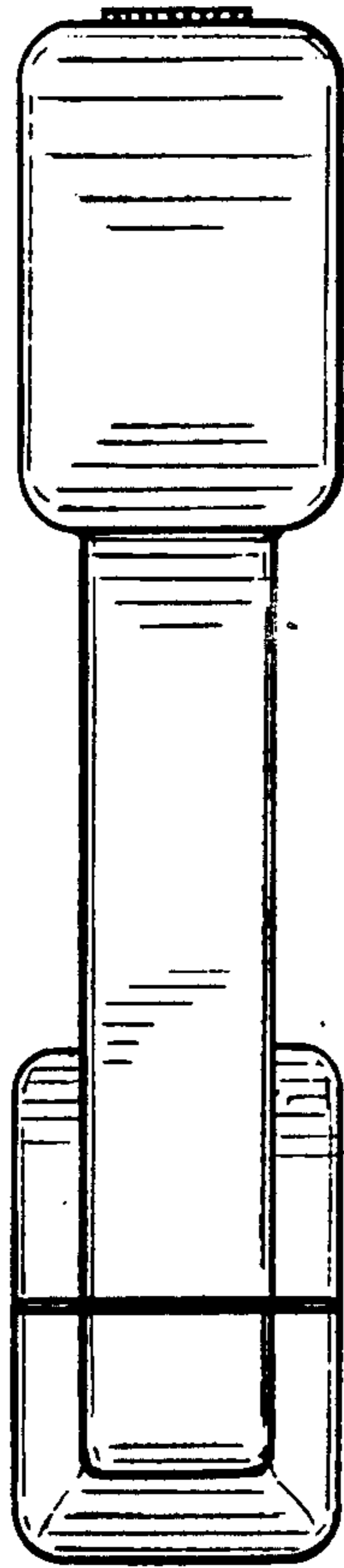


FIG-4

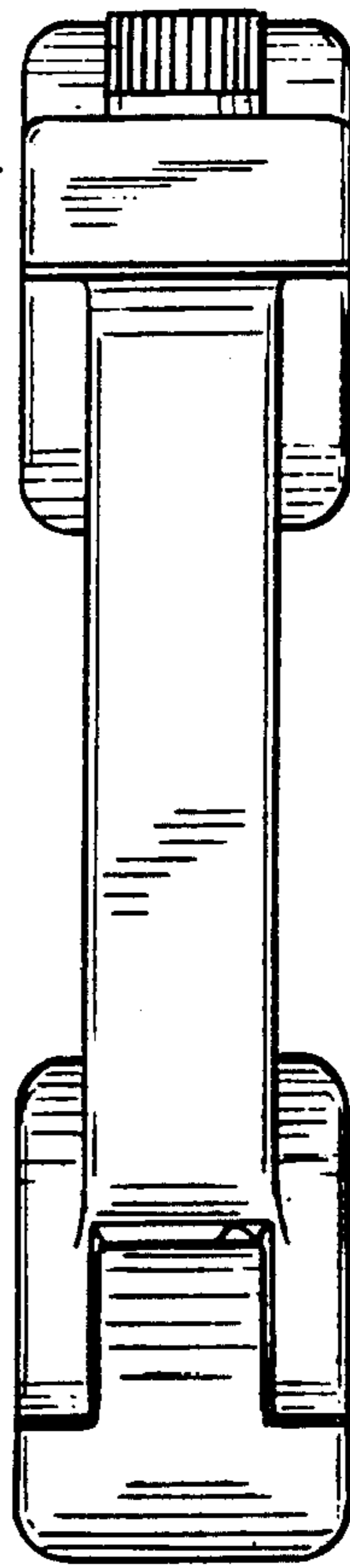


FIG-3

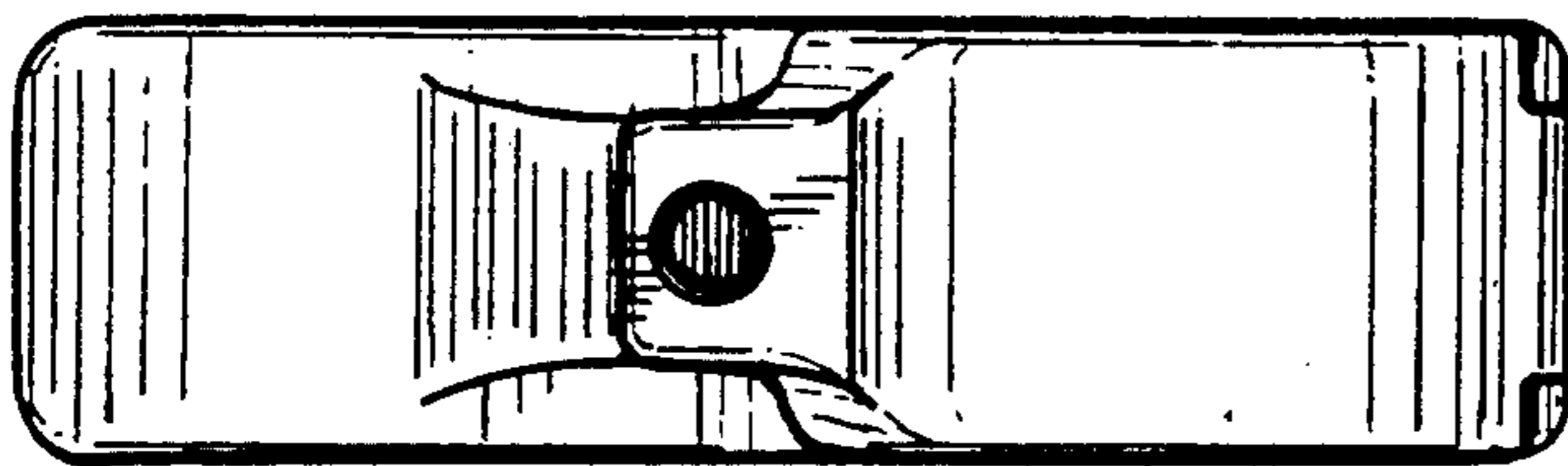


FIG-6

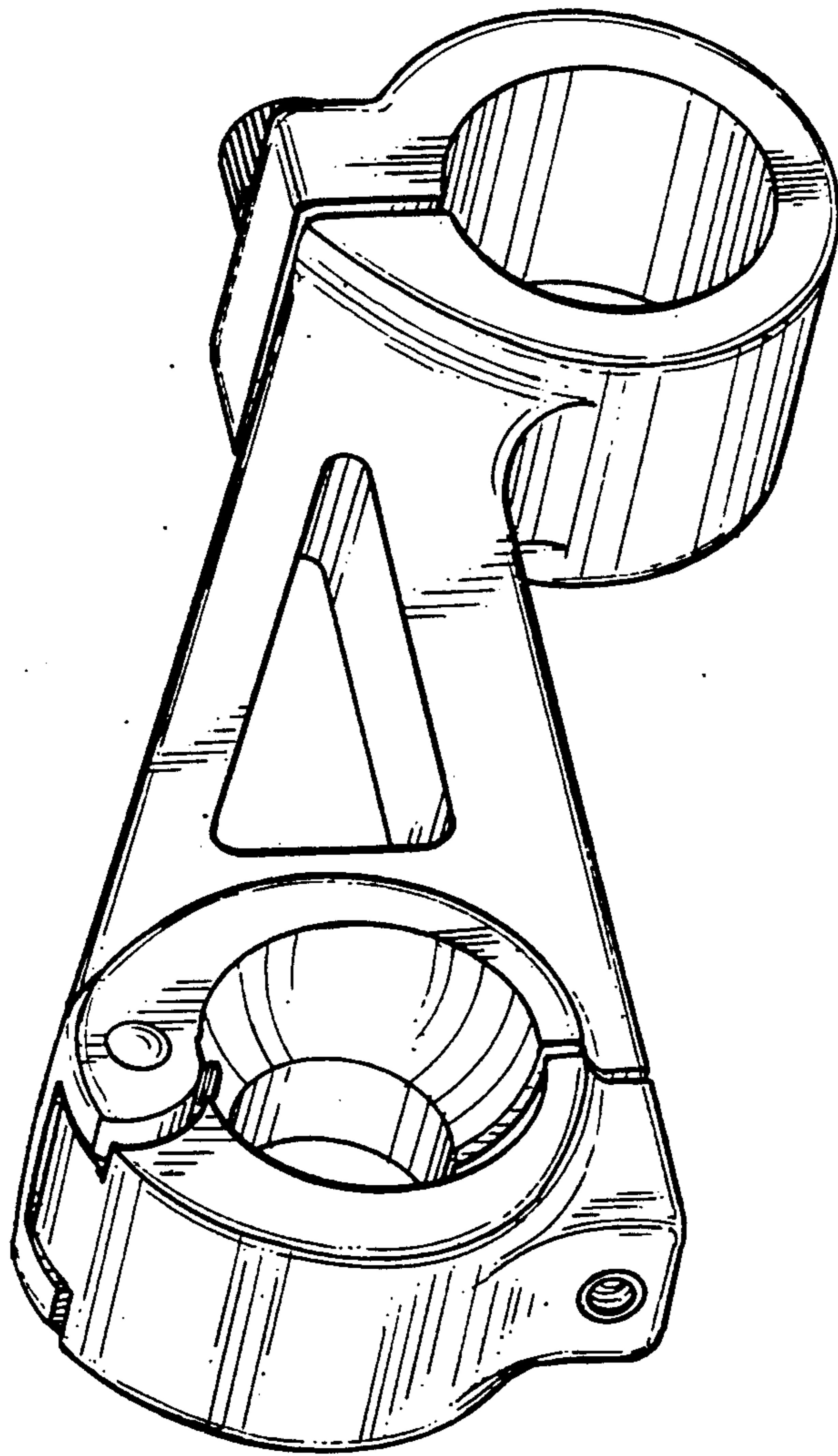


FIG-7