

[54] ALARMED LATCH ASSEMBLY FOR A SLIDING DOOR

[76] Inventor: Joseph T. Sciarrino, 2271 Woodlawn Cir., Melbourne, Fla. 32935

[**] Term: 14 Years

[21] Appl. No.: 305,209

[22] Filed: Feb. 2, 1989

[52] U.S. Cl. D8/339

[58] Field of Search D10/104, 106; D8/330-332, 339, 341-343; 292/57, 95-97, 130, 137, 183, 101, 285, 1

[56] References Cited

U.S. PATENT DOCUMENTS

2,243,872	6/1941	Le Beau	292/285
2,790,664	4/1957	Bramley et al.	292/285
4,305,611	12/1981	Robins	292/1 X

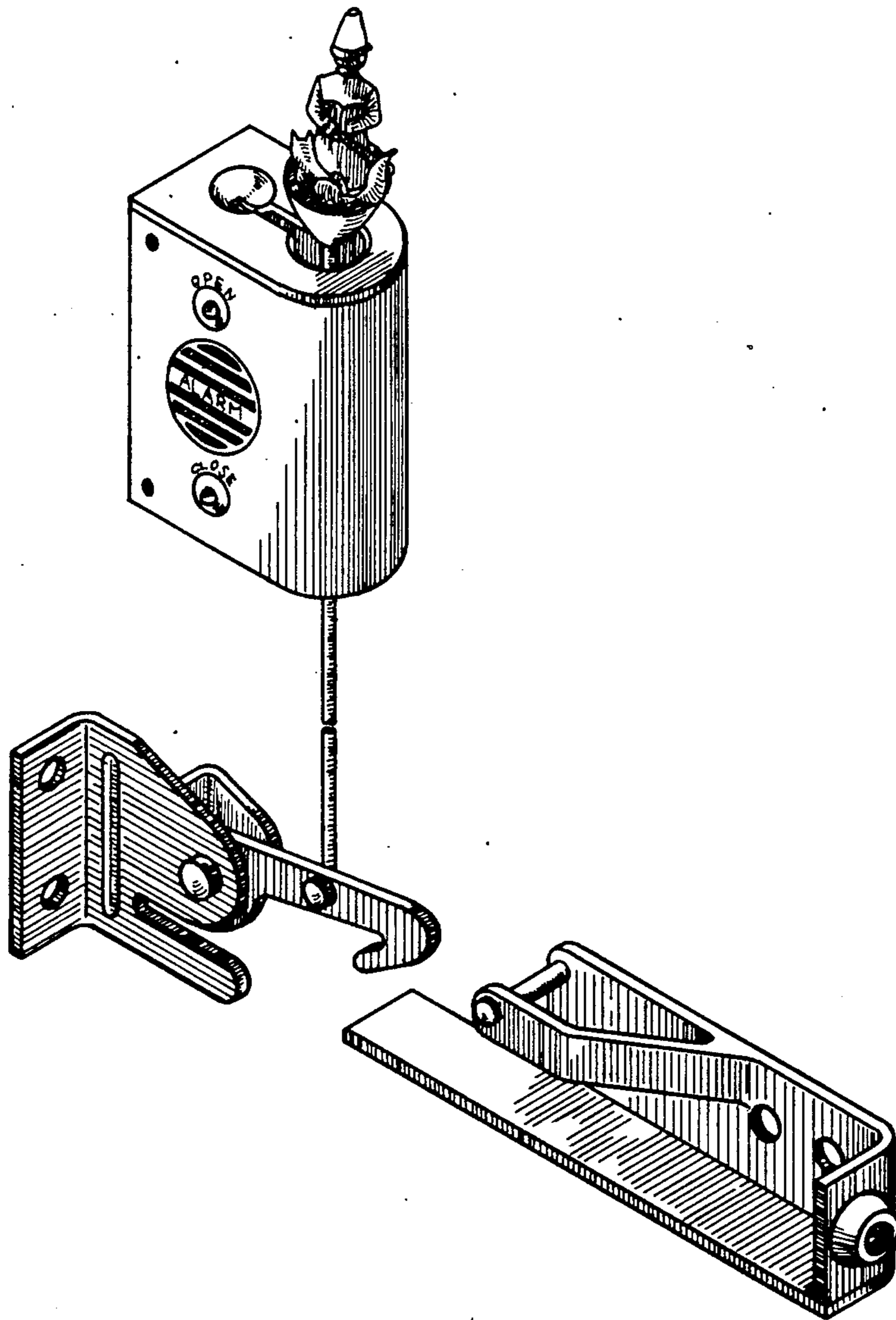
Primary Examiner—Brian N. Vinson
Attorney, Agent, or Firm—Terry M. Gernstein

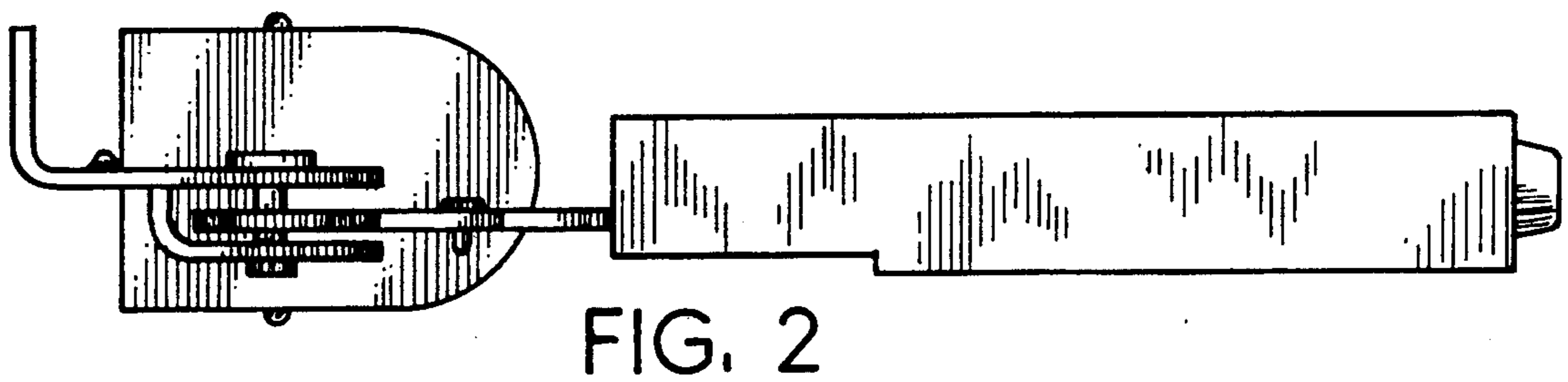
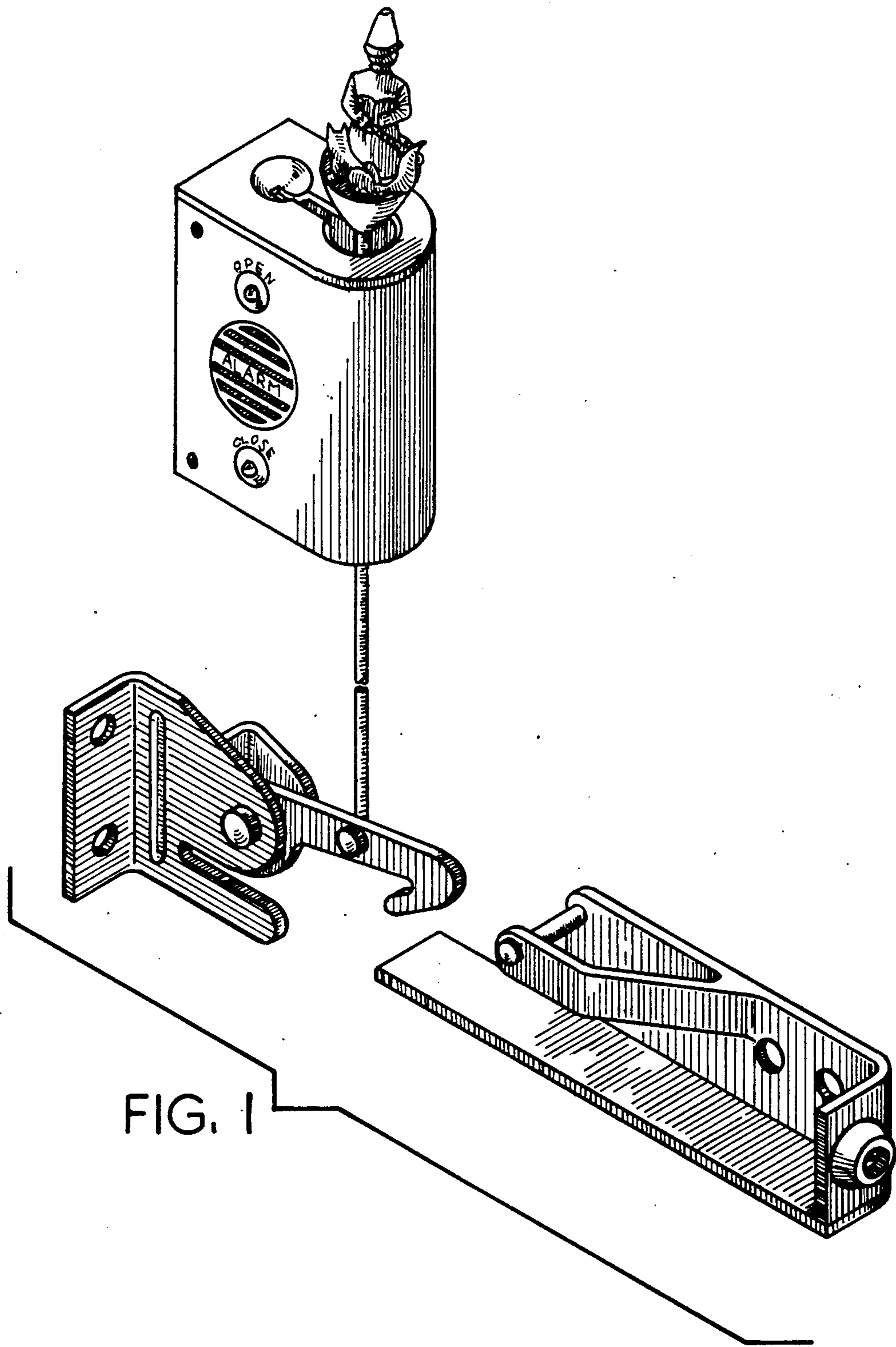
[57] CLAIM

The ornamental design for an alarmed latch assembly for a sliding door, as shown and described.

DESCRIPTION

FIG. 1 is a top, front, and right side perspective view of an alarmed latch assembly for a sliding door showing my new design, the cable assembly being shown broken-away for convenience of illustration; FIG. 2 is a bottom plan view thereof, shown in a latched position; FIG. 3 is a rear elevational view thereof, shown in a latched position; and FIG. 4 is a reduced top, front, and right side perspective view thereof, with the broken-line showing of a portion of the sliding door assembly being for illustrative purposes only and forming no part of the claimed design.





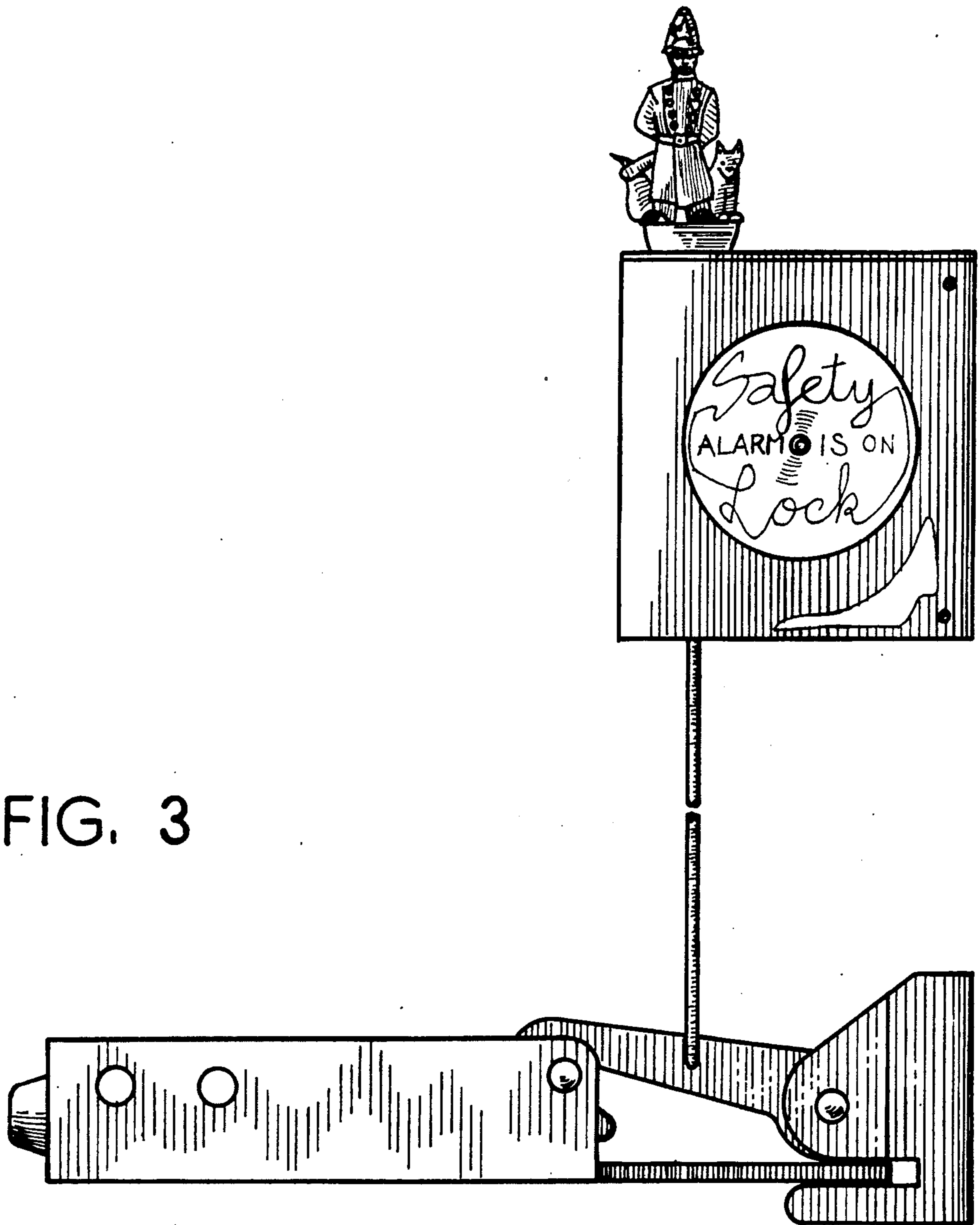


FIG. 3

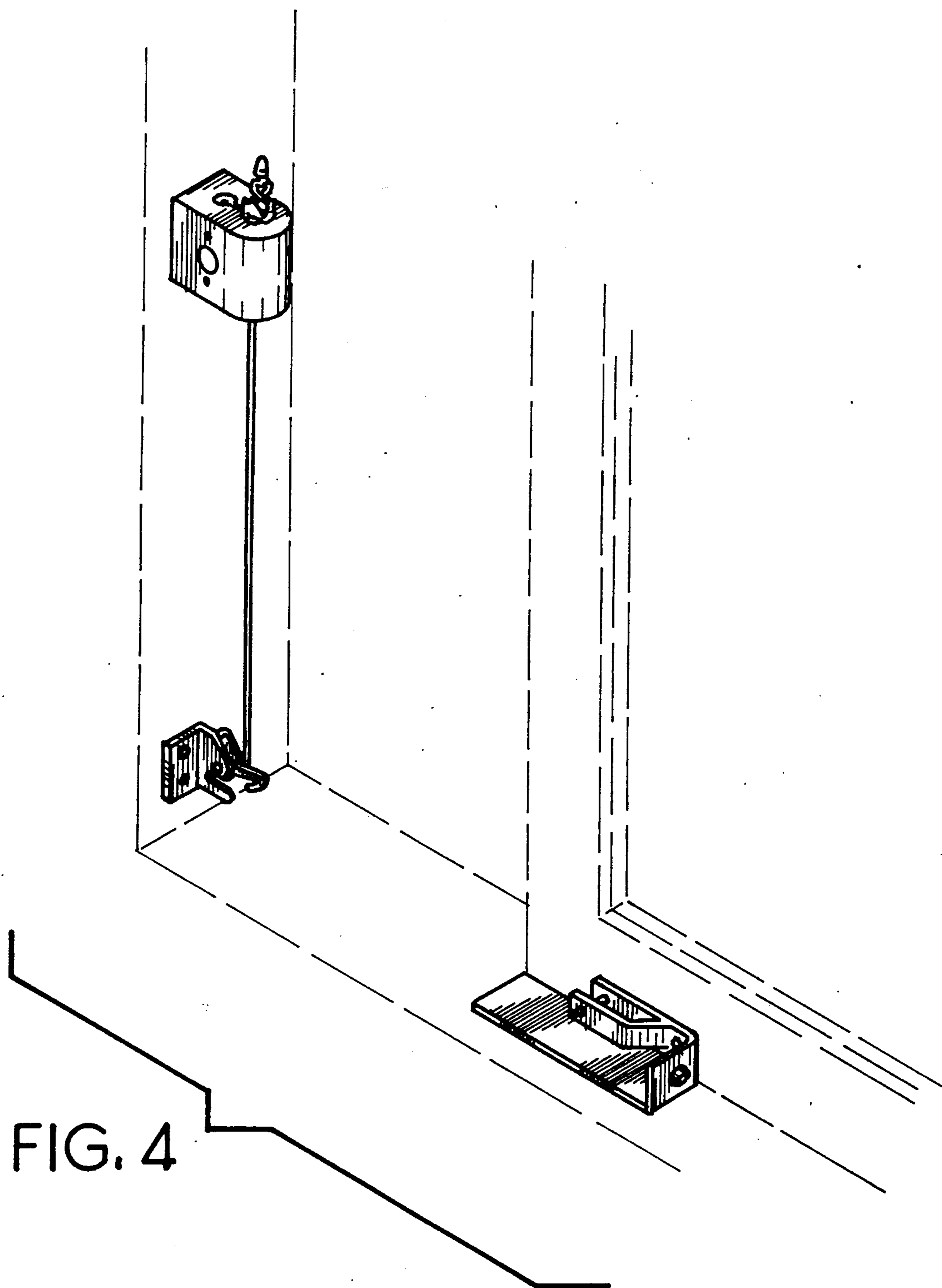


FIG. 4