

[54] **SAW TOOTH**
[76] **Inventor: Sylvain Gilbert, 1641 St. Dominique Street, Roberval, Canada, G8H 2P1**
[**] **Term: 14 Years**
[21] **Appl. No.: 264,249**
[22] **Filed: Oct. 21, 1988**
[52] **U.S. Cl. D8/70; 83/844**
[58] **Field of Search D8/70, 71, 7-9; 30/426, 424, 422, 493; 83/840, 838, 878, 830, 835, 842, 840, 844, 831, 834; D15/139**

646,373 3/1900 Phillips 83/840
657,873 9/1900 Jewett 83/840
4,841,824 6/1989 Hartmann 83/835
4,881,438 11/1989 Pinney 83/835
4,889,025 12/1989 Collett 83/835
4,911,037 3/1990 Werz 83/835

Primary Examiner—Nelson C. Holtje
Assistant Examiner—J. H. Musgrove
Attorney, Agent, or Firm—Pierre Lespérance

[56] **References Cited**
U.S. PATENT DOCUMENTS
D. 283,784 5/1986 Croydon D8/70
388,950 9/1888 Cocker et al. 83/840

[57] **CLAIM**
The ornamental design for a saw tooth, as shown.

DESCRIPTION
FIG. 1 is a top front perspective view of a chain saw tooth showing my new design;
FIG. 2 is a front elevational view;
FIG. 3 is a top plan view; and,
FIG. 4 is a right side elevational view.

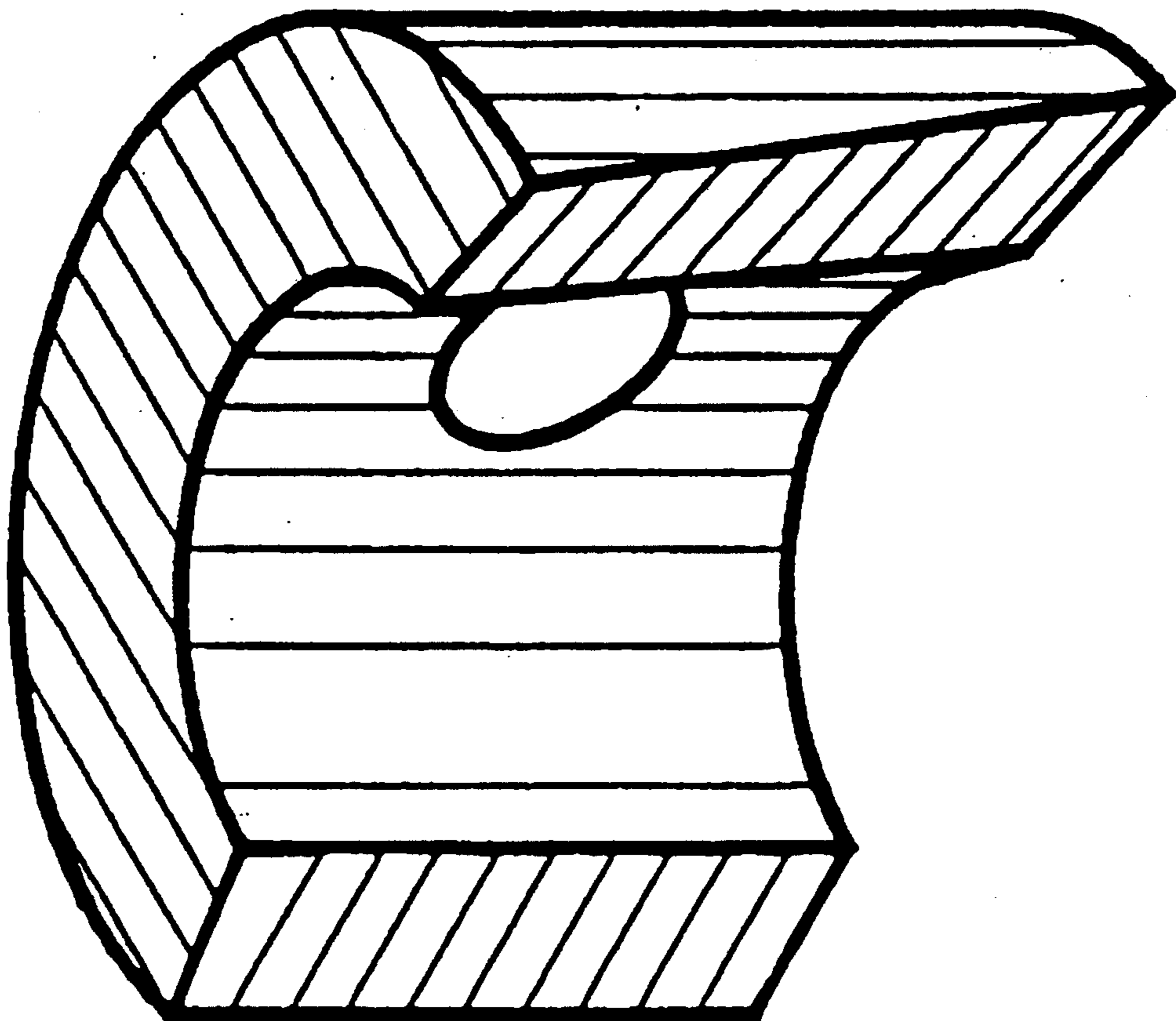


FIG 1

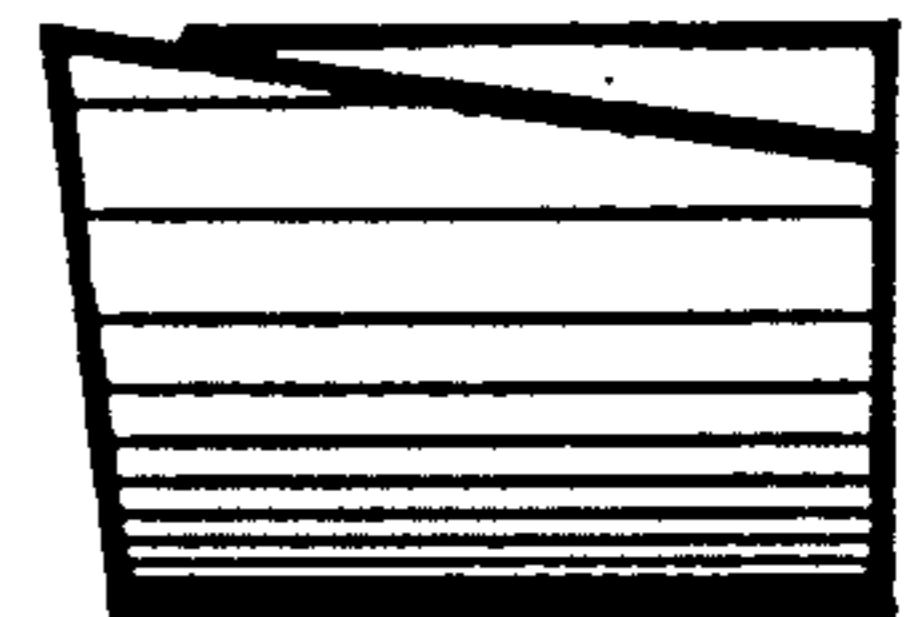
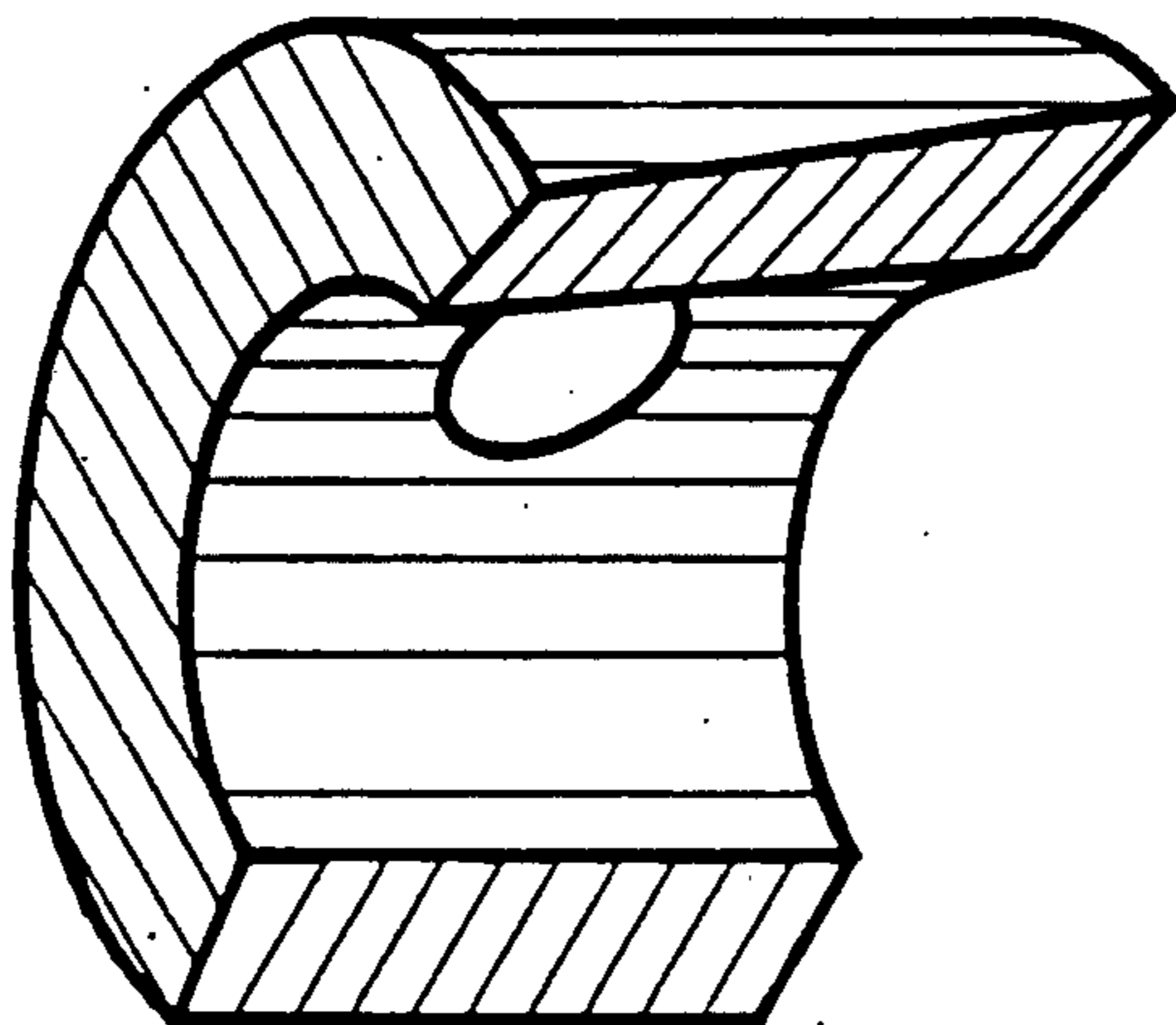


FIG 3

FIG 2

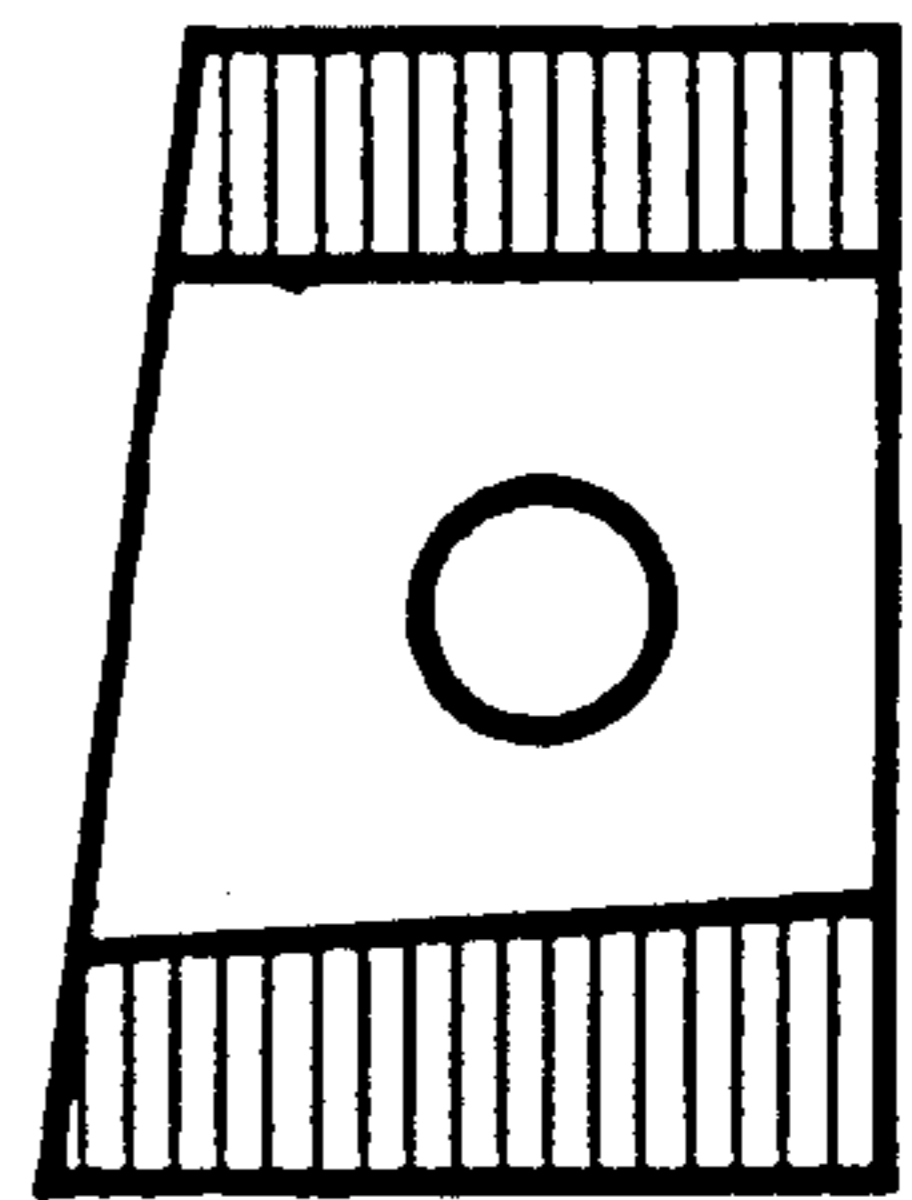


FIG 4

