

[54] HOME/OFFICE STAPLER

[75] Inventors: Martin J. Leff, New York; Edward E. Barrett, Missapequa Park, both of N.Y.; William S. Carvell, Mt. Prospect; Charles J. Fahrner, Streamwood, both of Ill.

[73] Assignee: Swingline Inc., Long Island City, N.Y.

[**] Term: 14 Years

[21] Appl. No.: 307,102

[22] Filed: Feb. 7, 1989

[52] U.S. Cl. D8/50

[58] Field of Search D8/49, 50; 227/107, 227/110, 120, 126-128, 132

[56] References Cited

U.S. PATENT DOCUMENTS

D. 215,692	10/1969	Glennon	D8/50
D. 251,962	5/1979	Power	D8/50
D. 304,903	12/1989	Leszczak et al.	D8/50
D. 308,930	7/1990	Leszczak et al.	D8/50

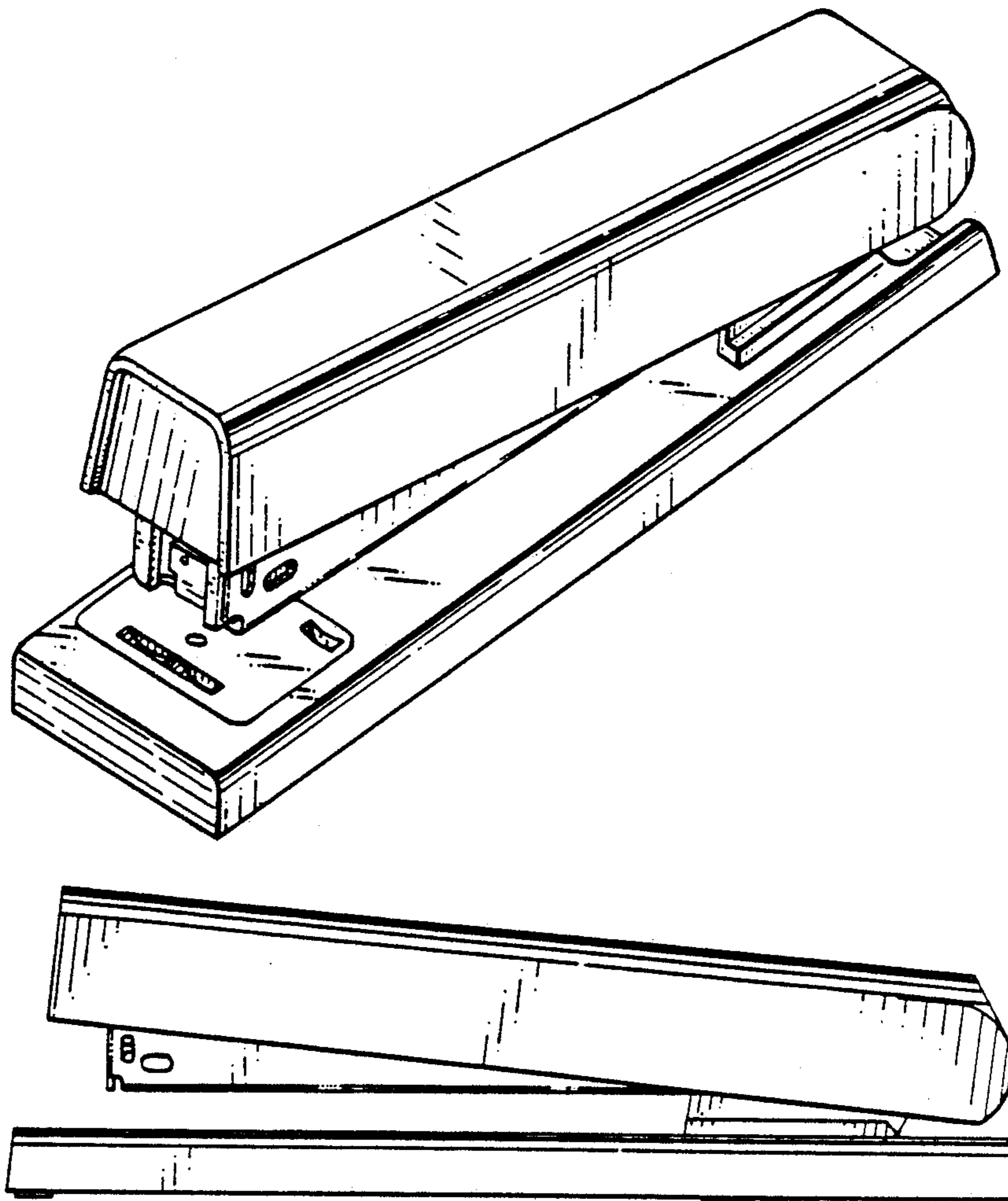
Primary Examiner—Terry A. Pfeffer
Attorney, Agent, or Firm—Pennie & Edmonds

[57] CLAIM

The ornamental design for a home/office stapler, as shown and described.

DESCRIPTION

FIG. 1 is a perspective view of a home/office stapler showing our new design;
 FIG. 2 is a left side elevational view thereof;
 FIG. 3 is the right side elevational view thereof;
 FIG. 4 is a top plan view of the stapler;
 FIG. 5 is a plan bottom view thereof;
 FIG. 6 is a front elevational view thereof;
 FIG. 7 is a rear elevational view thereof;
 FIG. 8 is a perspective view of an alternate embodiment of FIG. 1;
 FIG. 9 is a left side elevational view of FIG. 8;
 FIG. 10 is right side elevational view of FIG. 8;
 FIG. 11 is a top plan view FIG. 8;
 FIG. 12 is a bottom plan view of FIG. 8;
 FIG. 13 is a front elevational view of FIG. 8; and
 FIG. 14 is a rear elevational view of FIG. 8.



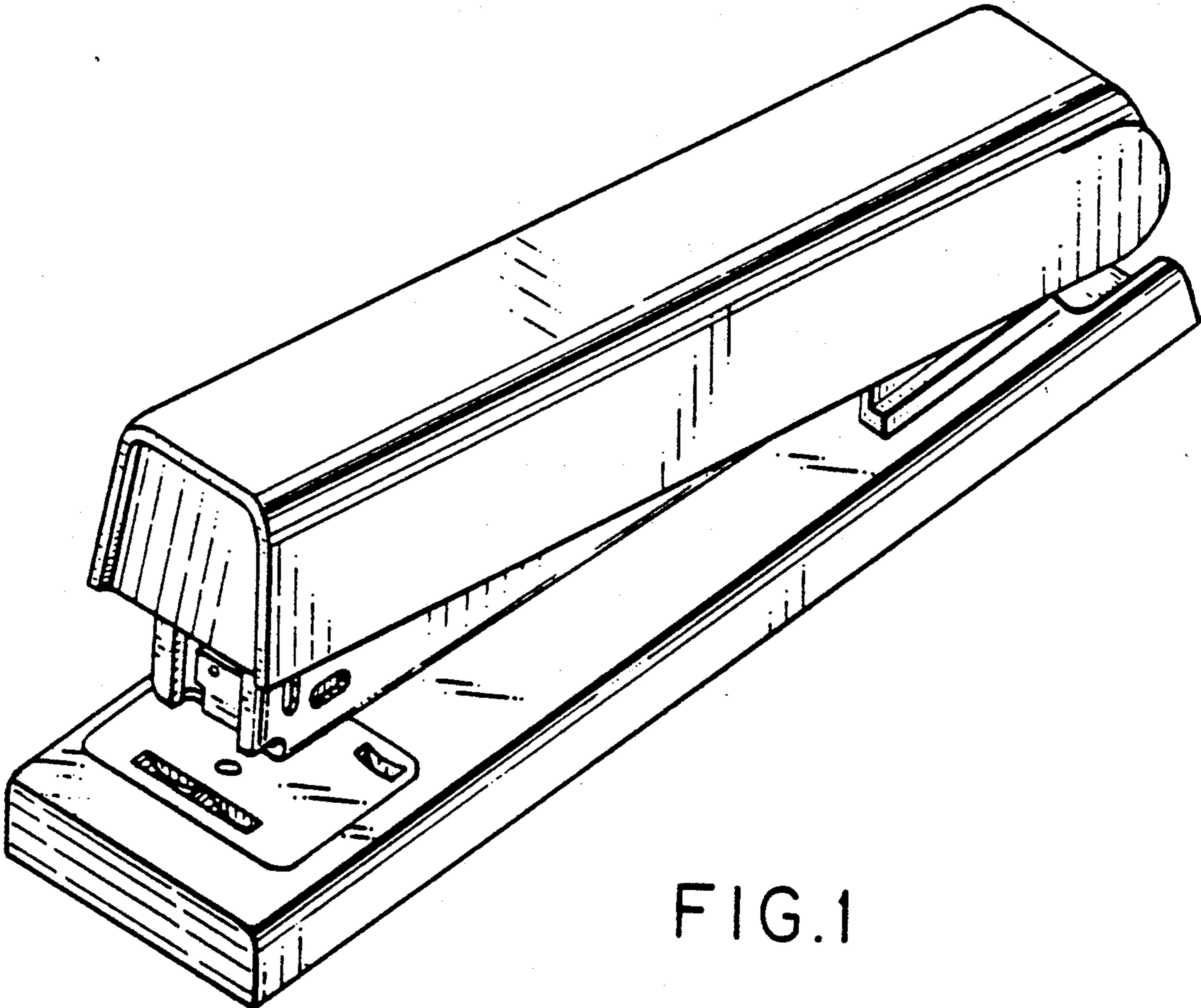


FIG. 1

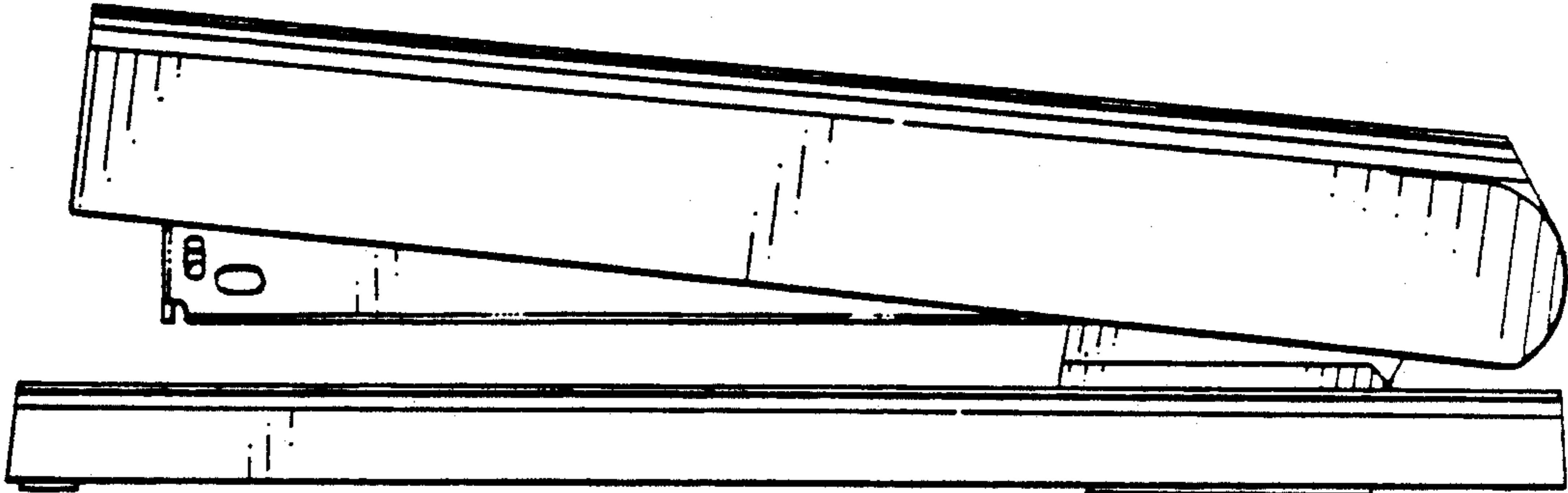


FIG. 2

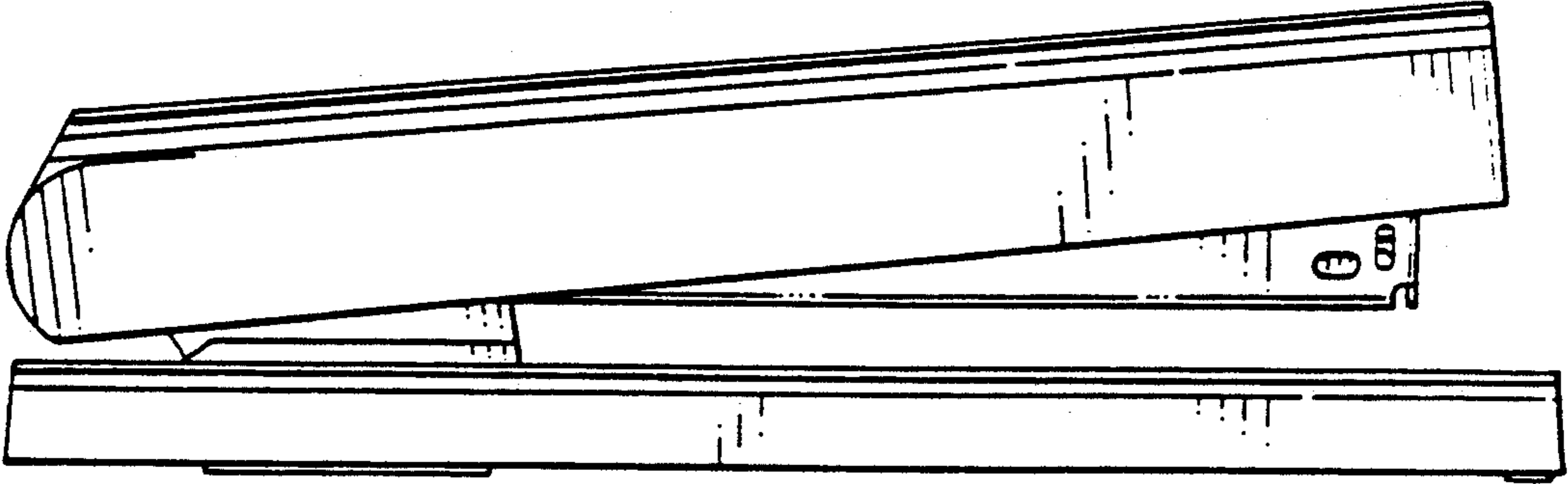


FIG. 3

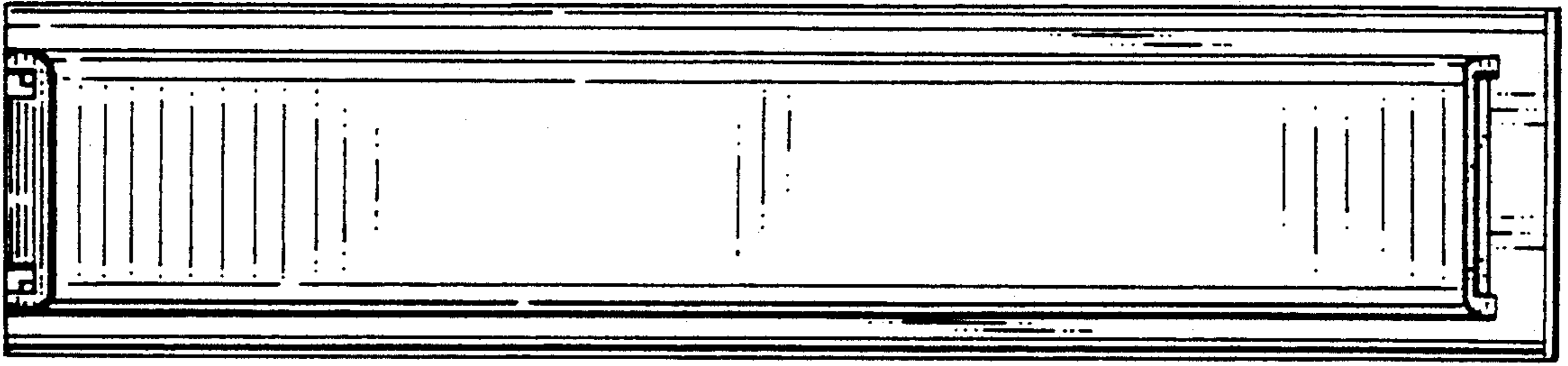


FIG. 4

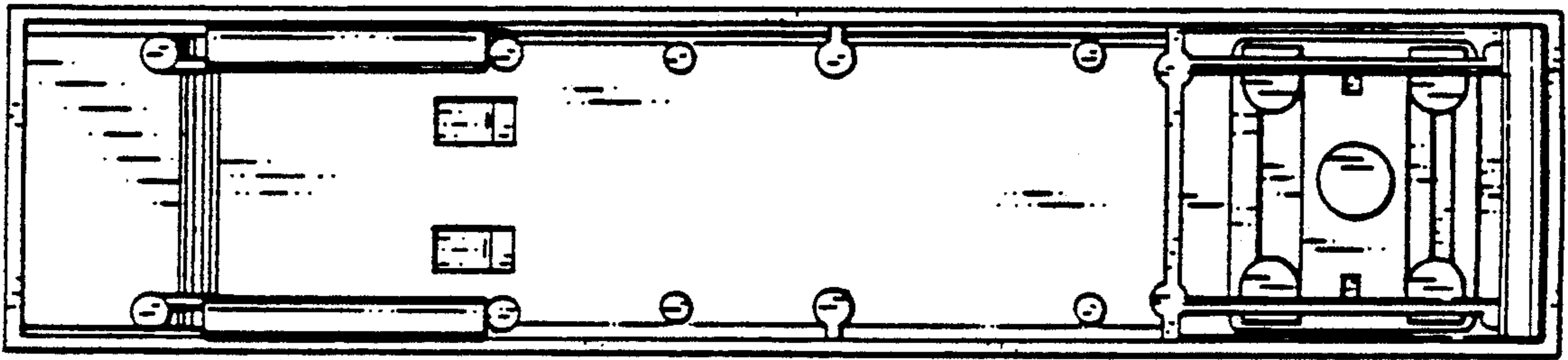


FIG. 5

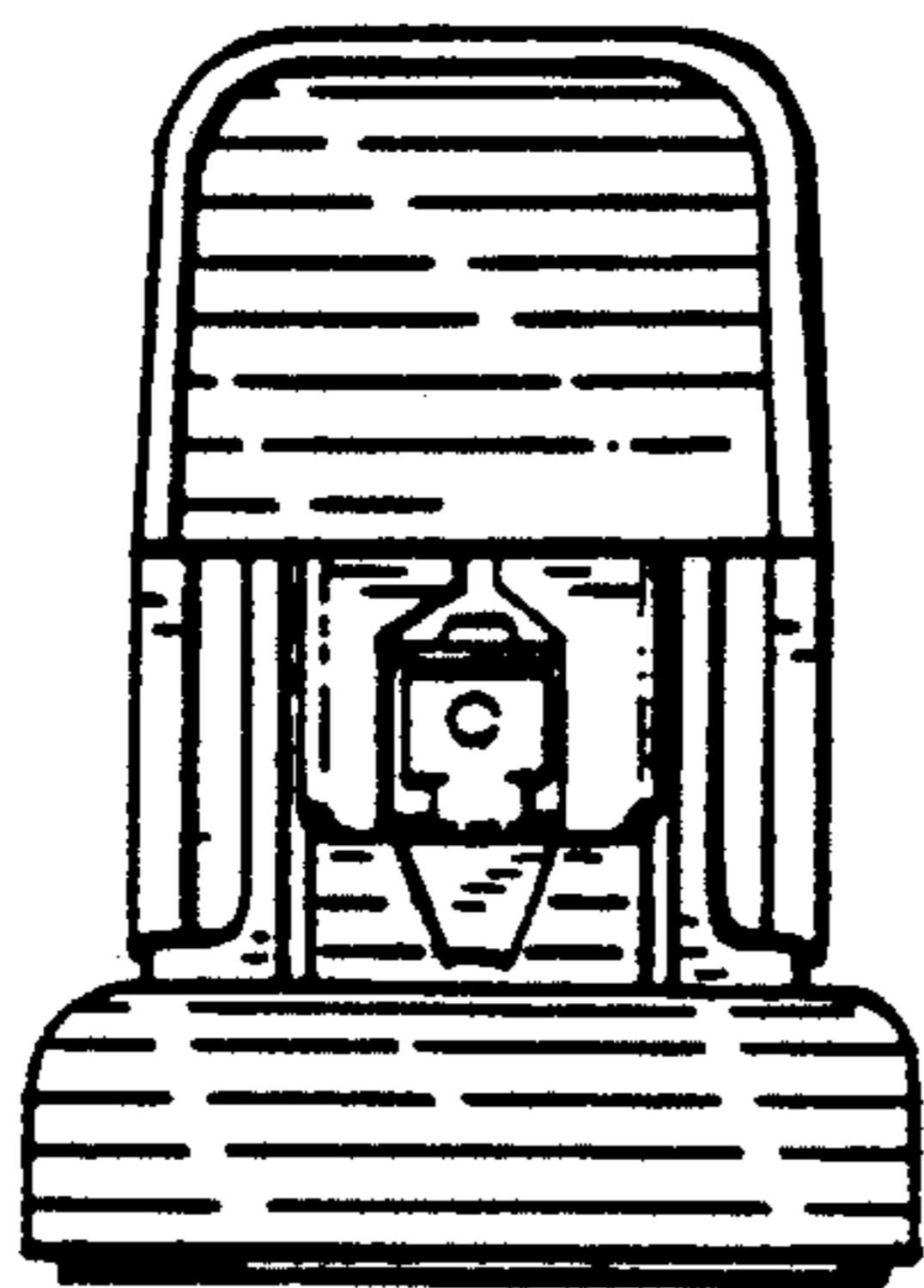


FIG. 6

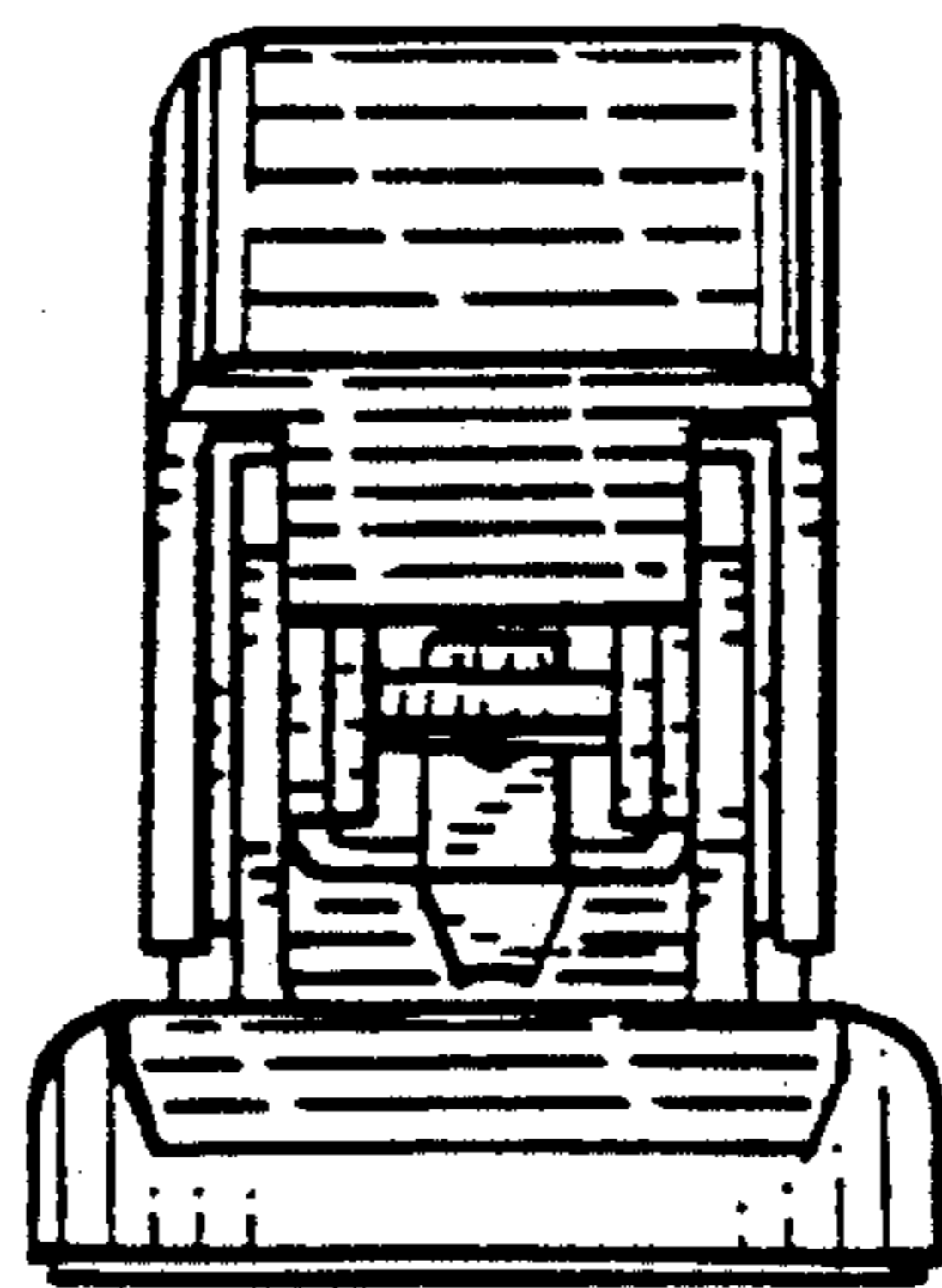


FIG. 7

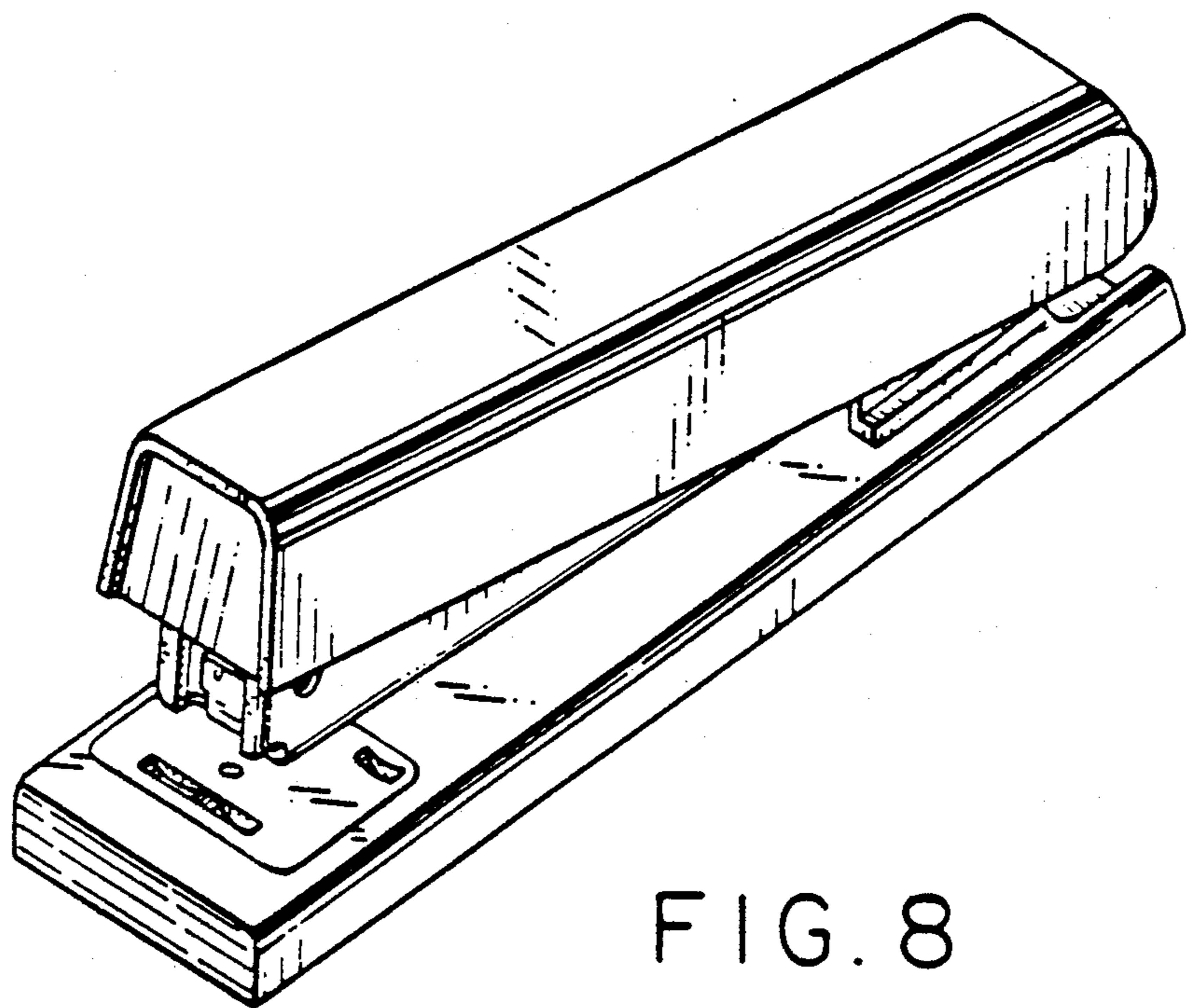


FIG. 8

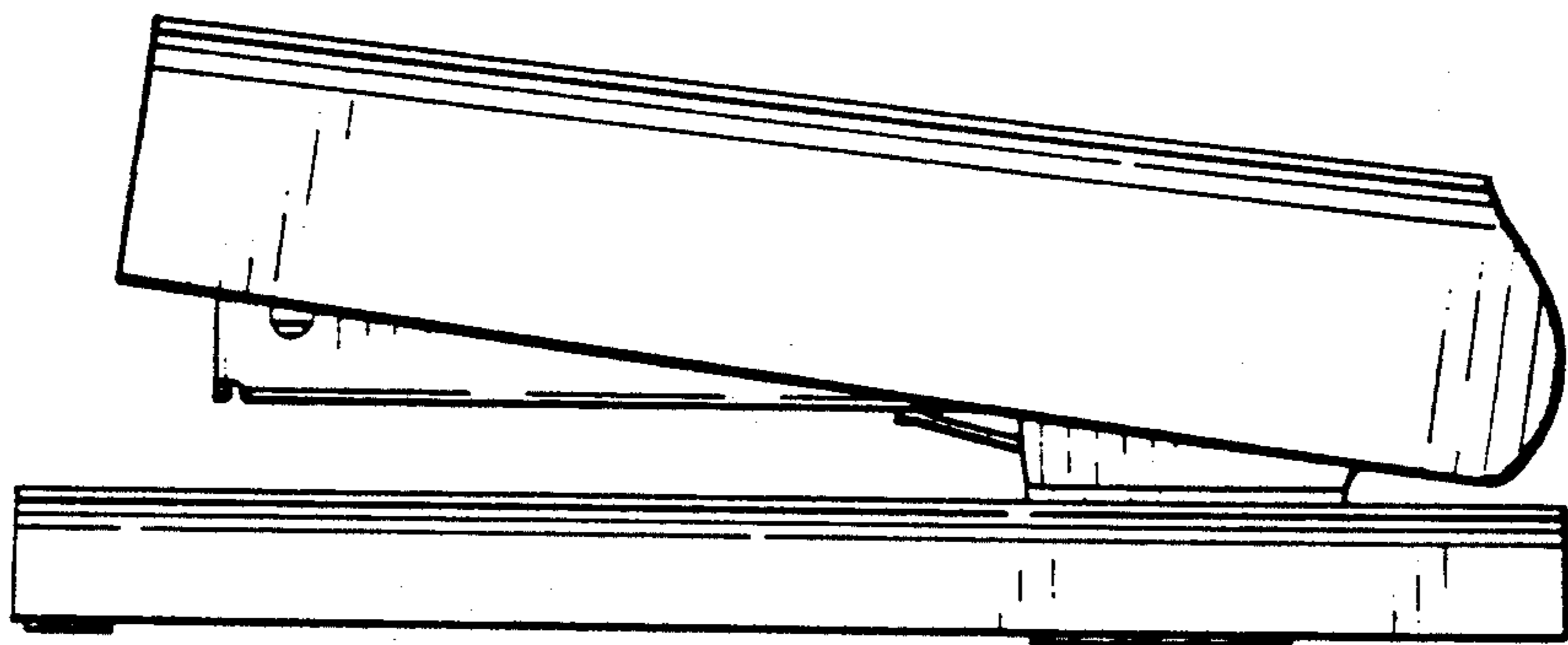


FIG. 9

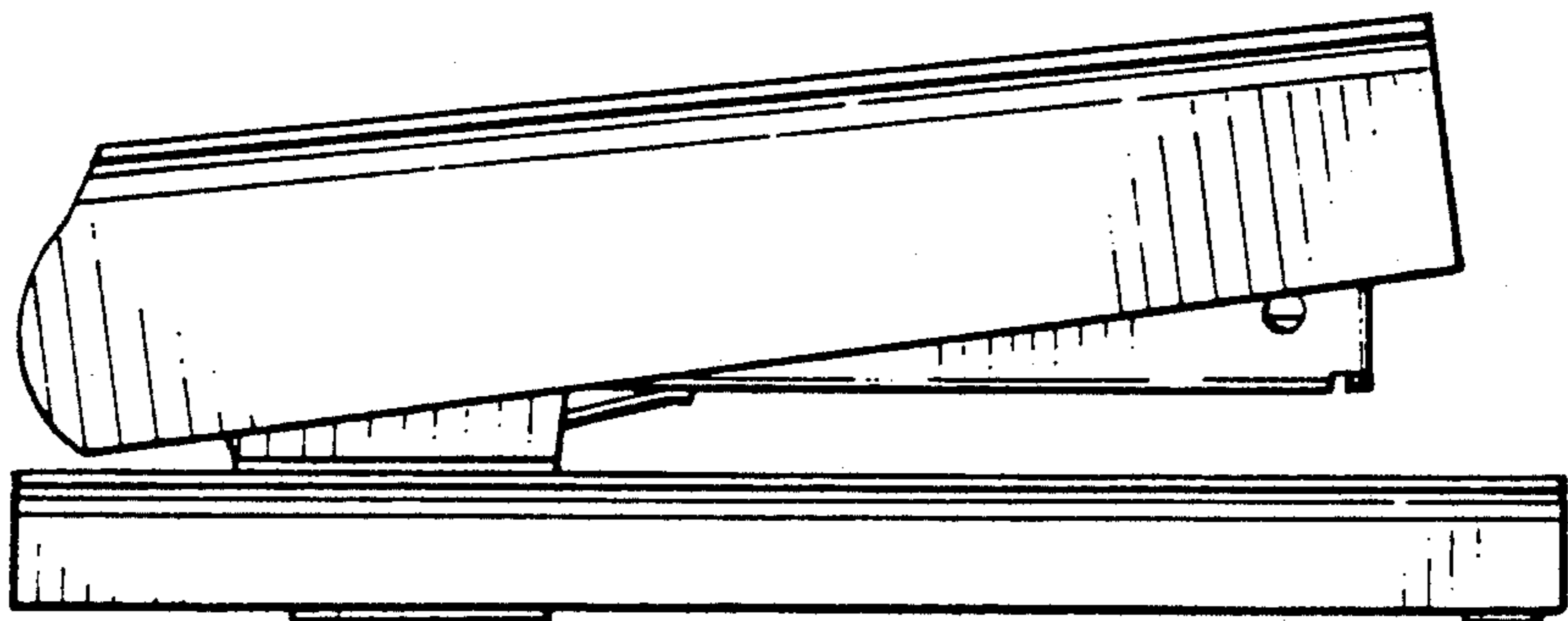


FIG. 10

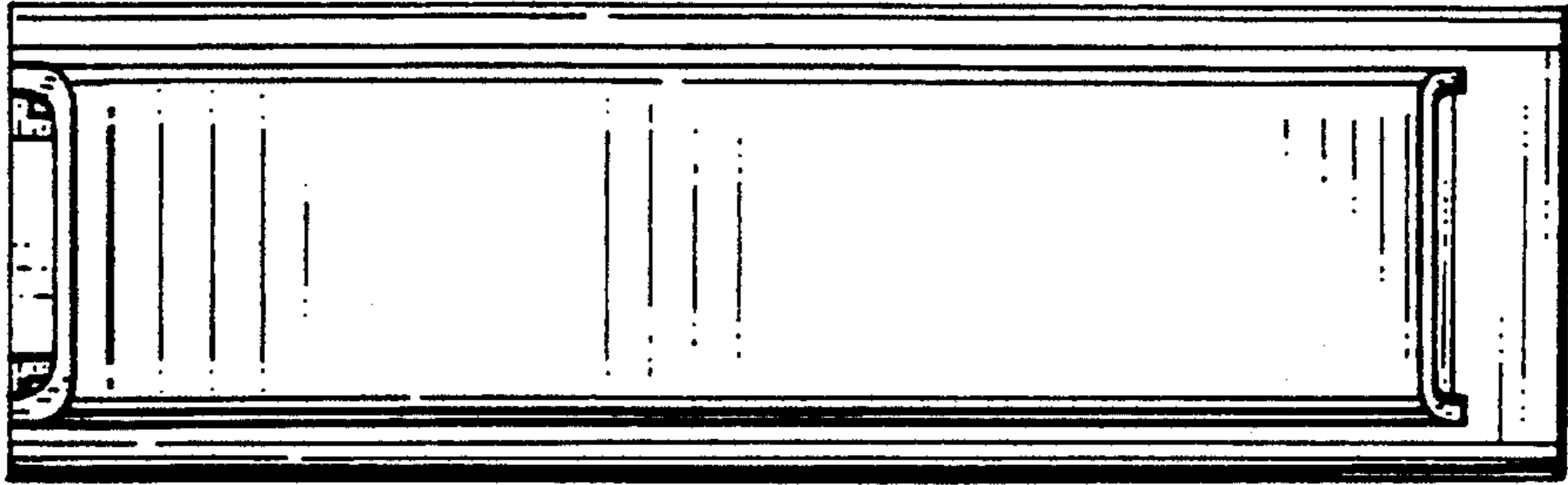


FIG. 11

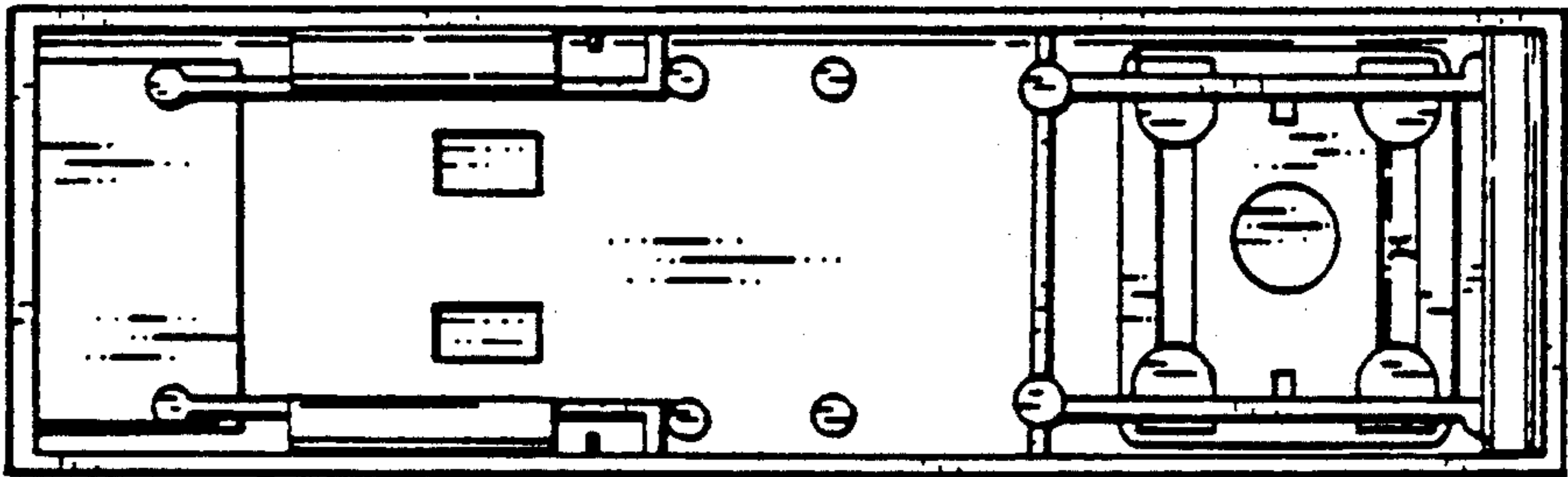


FIG. 12

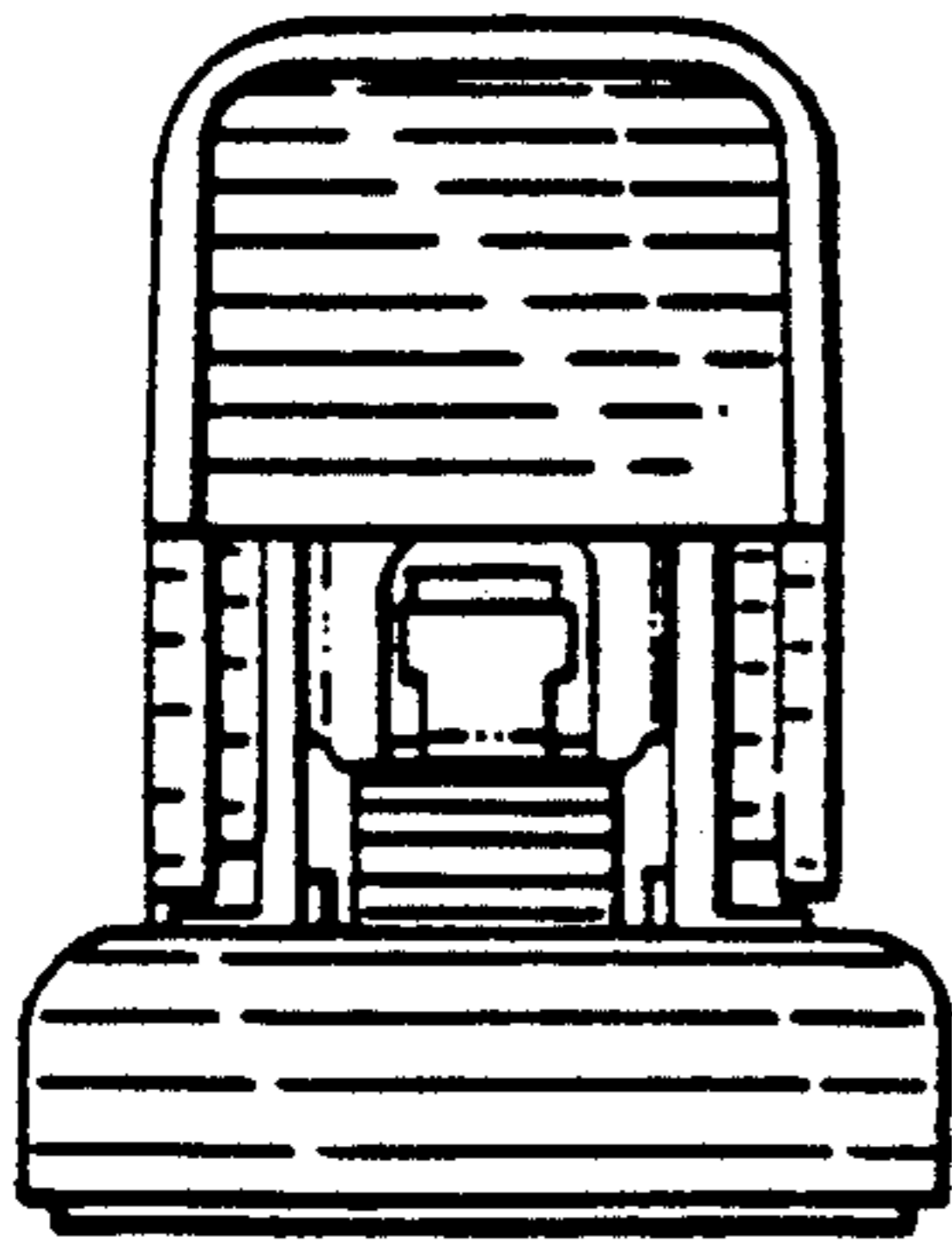


FIG. 13

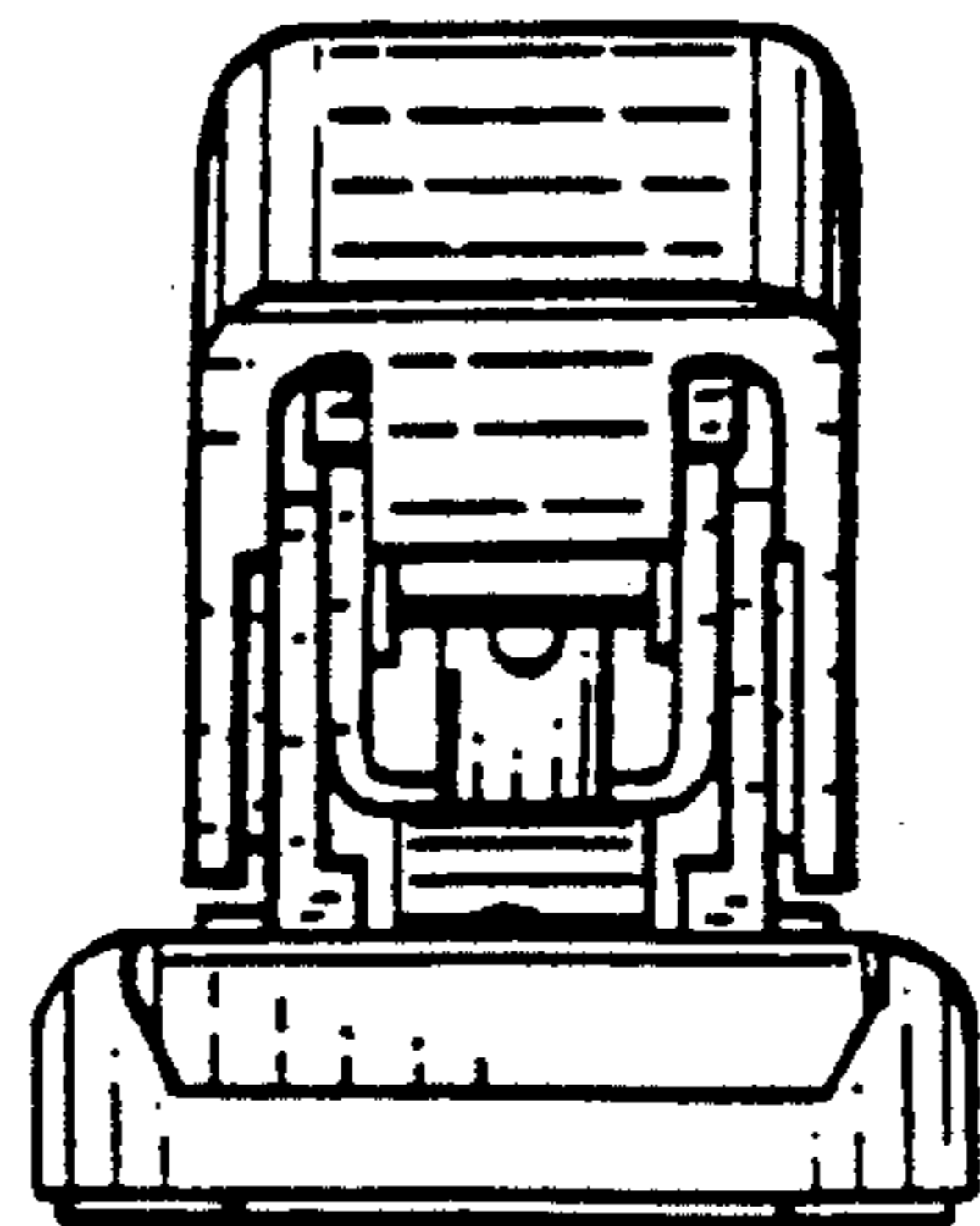


FIG. 14