

[54] CUTTING BOARD OR THE LIKE

[75] Inventors: Bruce M. Sauter, Schaumburg, Ill.;
Robert B. Freville, Sheboygan Falls,
Wis.

[73] Assignee: Kohler Co., Kohler, Wis.

[**] Term: 14 Years

[21] Appl. No.: 297,914

[22] Filed: Jan. 17, 1989

[52] U.S. Cl. D7/698; D7/554

[58] Field of Search D7/698, 699, 673, 388,
D7/389, 550, 551, 554, 545, 638, 641;
269/301.2, 289 R, 15; D3/40; D6/406; D32/55,
56, 57

[56] References Cited

U.S. PATENT DOCUMENTS

D. 60,025	12/1921	Hoodwin	D7/554
D. 251,001	2/1979	Forselius	D6/406 X
1,229,806	6/1917	Stober	D7/550 X
2,669,495	2/1954	Foote	D7/550 X
4,653,737	3/1987	Haskins et al.	D7/698 X

OTHER PUBLICATIONS

Pp. 4 and 10 of a Kohler Co. brochure showing various Kohler Co. cutting board accessories (admitted prior art).

Front page of a *Sterling ad brochure* showing the "Banner" sink cutting board, undated.

Primary Examiner—Winifred E. Herrmann
Attorney, Agent, or Firm—Quarles & Brady

[57] CLAIM

The ornamental design for a cutting board or the like, as shown and described.

DESCRIPTION

FIG. 1 is a perspective view taken from the top, rear

and left side of a cutting board or the like showing our new design;

FIG. 2 is a top plan view thereof;

FIG. 3 is a bottom plan view thereof;

FIG. 4 is a cross-sectional view taken on line 4—4 of FIG. 3;

FIG. 5 is a partial cross-sectional view taken on line 5—5 of FIG. 3;

FIG. 6 is a front elevational view thereof;

FIG. 7 is a rear elevational view thereof;

FIG. 8 is a right side elevational view thereof, the left side elevational view being the mirror image thereof;

FIG. 9 is a perspective view taken from the top, rear and left side of a second alternate embodiment thereof which is identical to the first except that it is made of solid homogeneous construction in lieu of laminated wood;

FIG. 10 is a bottom plan view of a third alternative embodiment thereof where there are no support and alignment legs on the bottom and the top view is the same as the first embodiment;

FIG. 11 is a cross-sectional view taken on line 11—11 of FIG. 10;

FIG. 12 is a partial cross-sectional view taken on line 12—12 of FIG. 10;

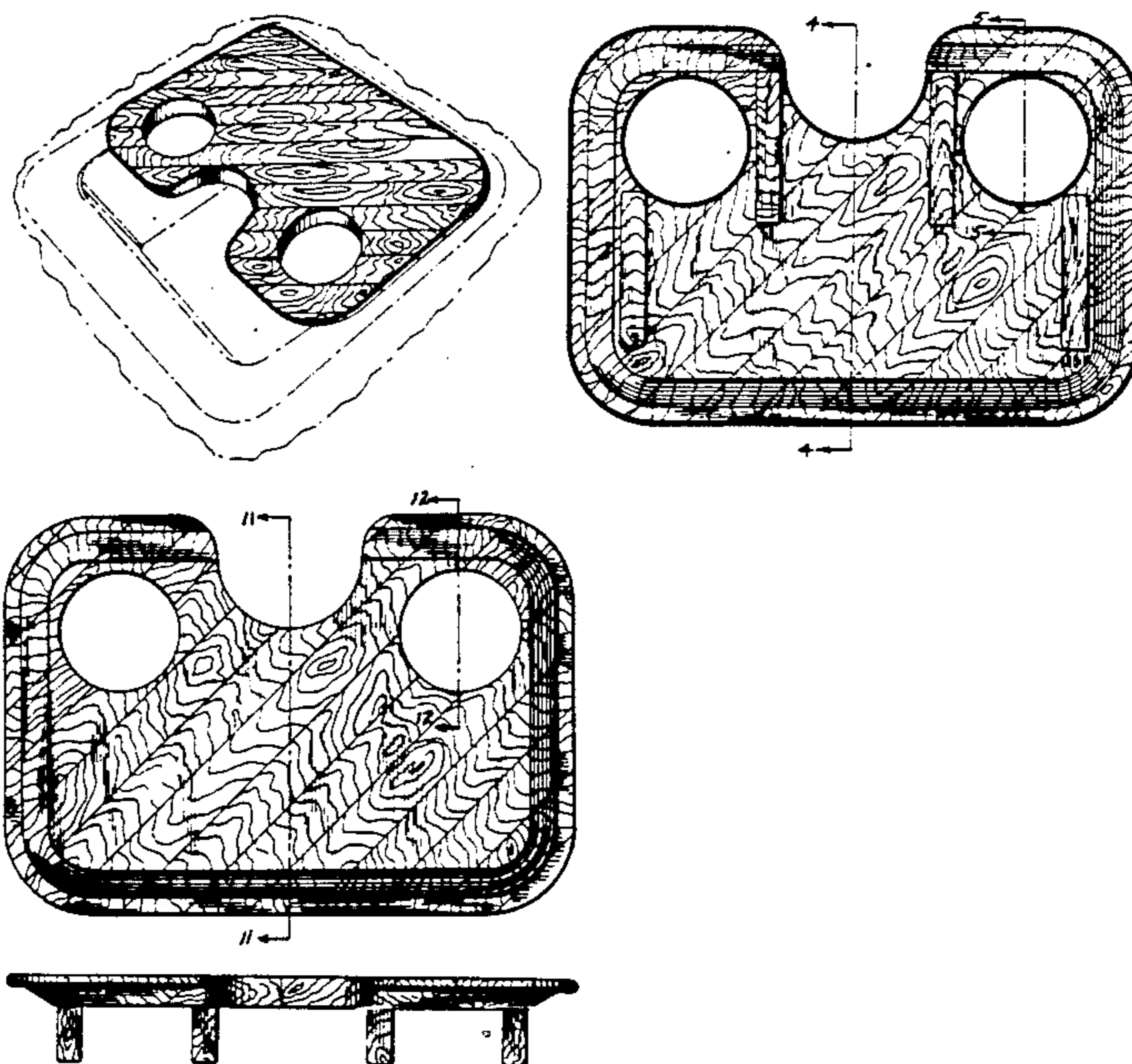
FIG. 13 is a front elevational view thereof;

FIG. 14 is a rear elevational view thereof; and

FIG. 15 is a right side elevational view thereof, the left side elevational view being the mirror image thereof.

The fragmentary broken line showings of the counter top in FIG. 1 and of the sink in FIGS. 1 and 9 are illustrative of environmental structure only and form no part of the claimed design.

The characteristic feature of our design resides in the combination of the two circular openings and the U-shaped indentation on one of the longer sides all having diameters of similar length as best shown in FIGS. 1, 2, 3, 9, and 10.



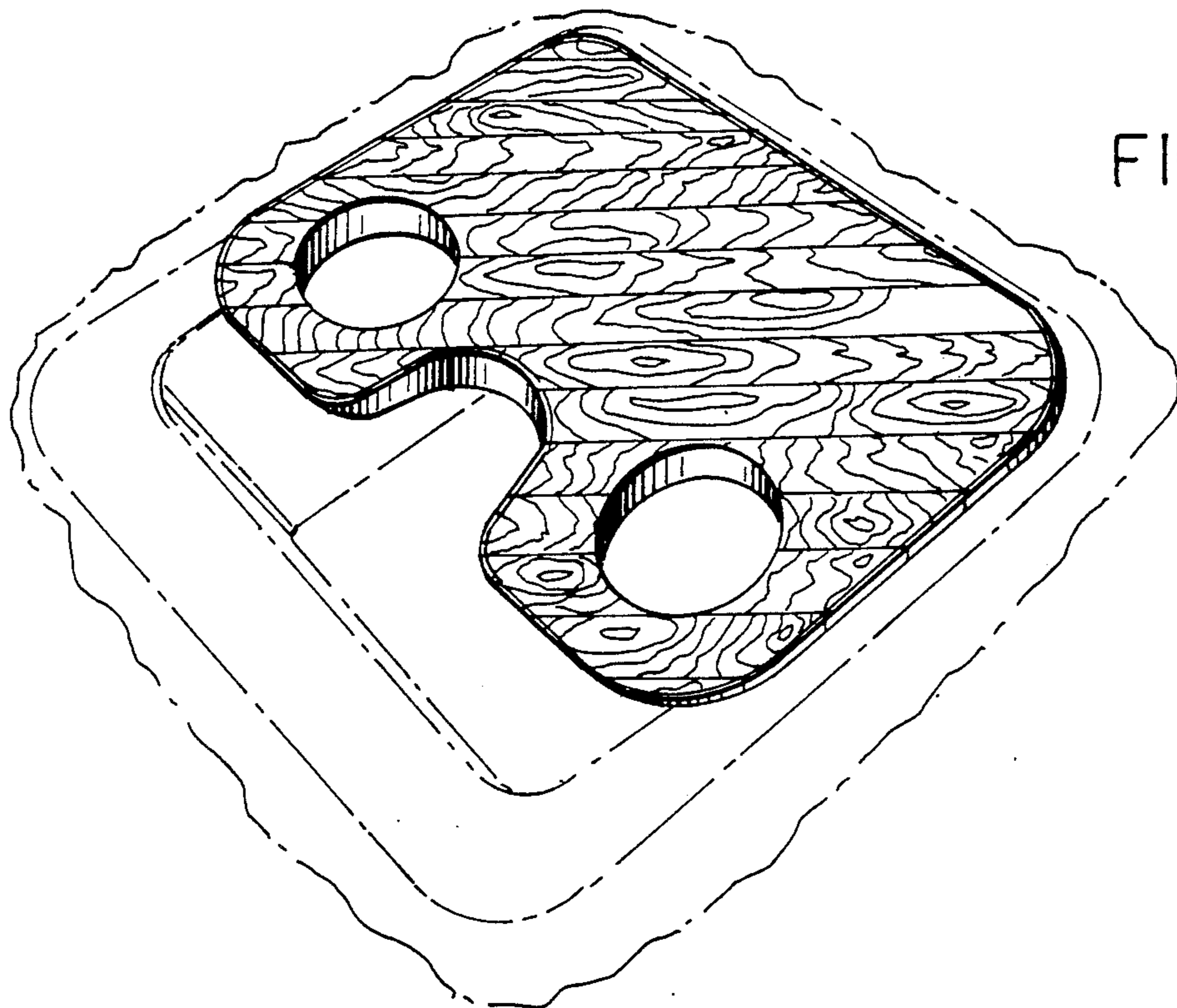


FIG. 1

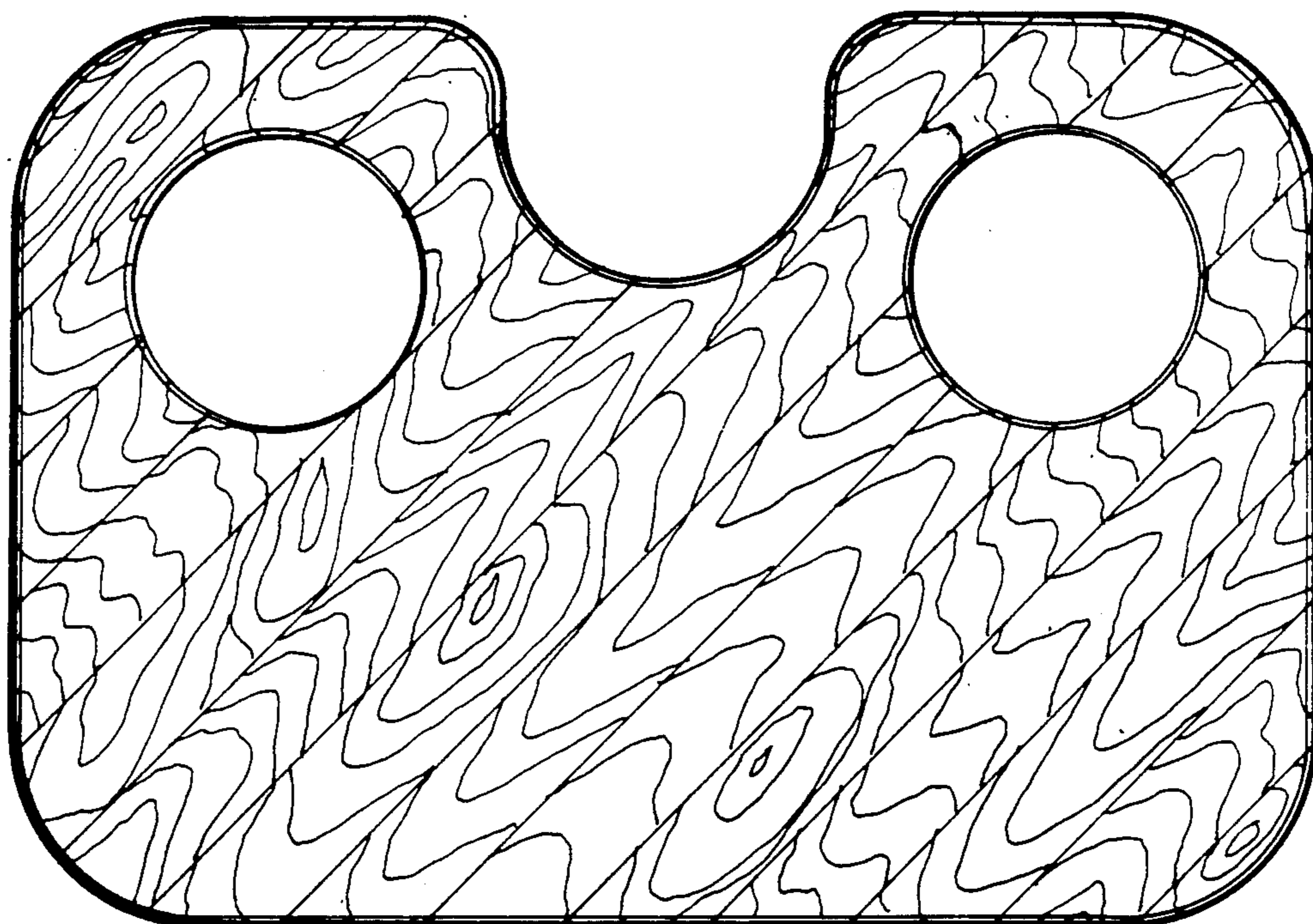


FIG. 2

FIG. 3

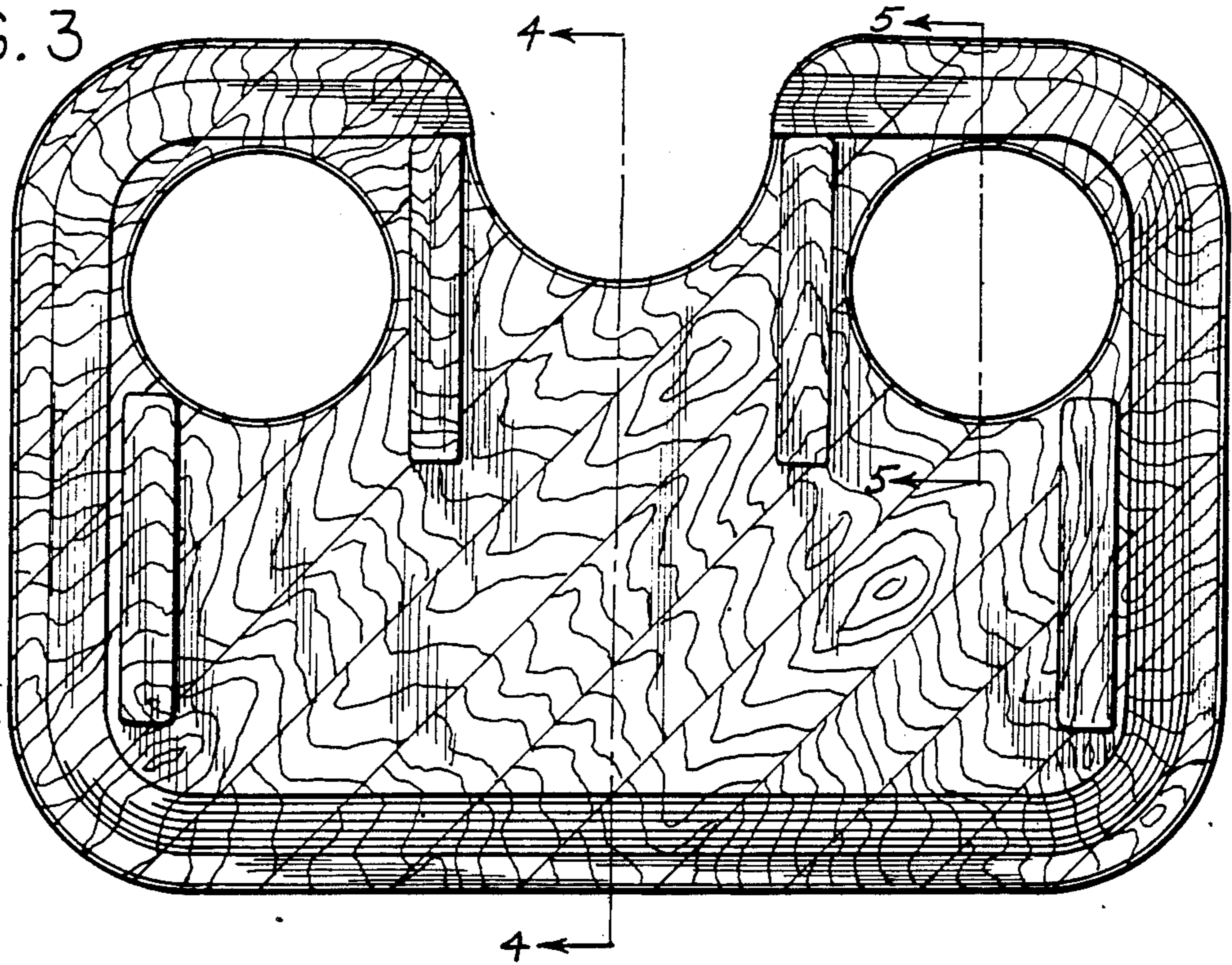


FIG. 4

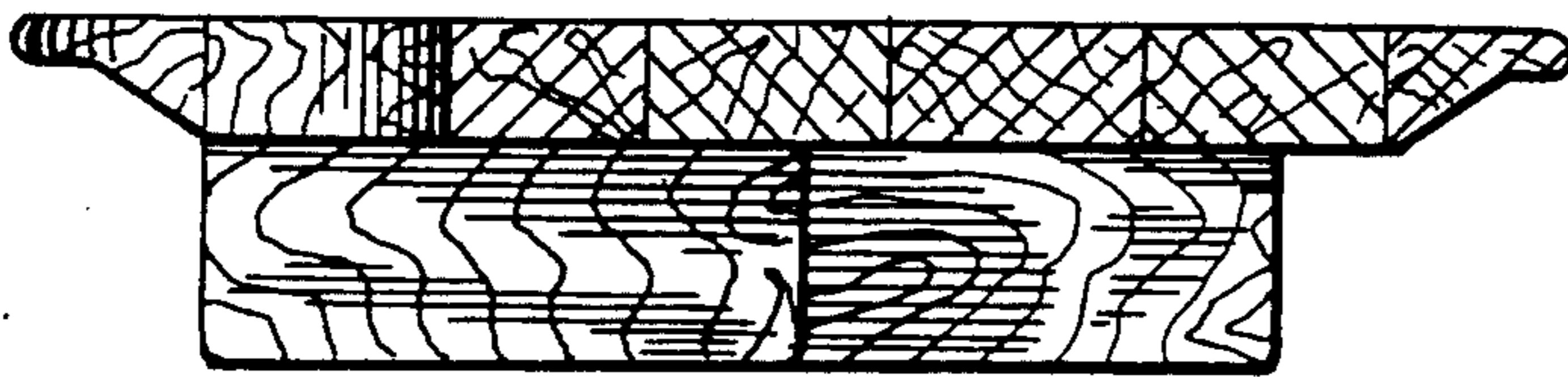


FIG. 5

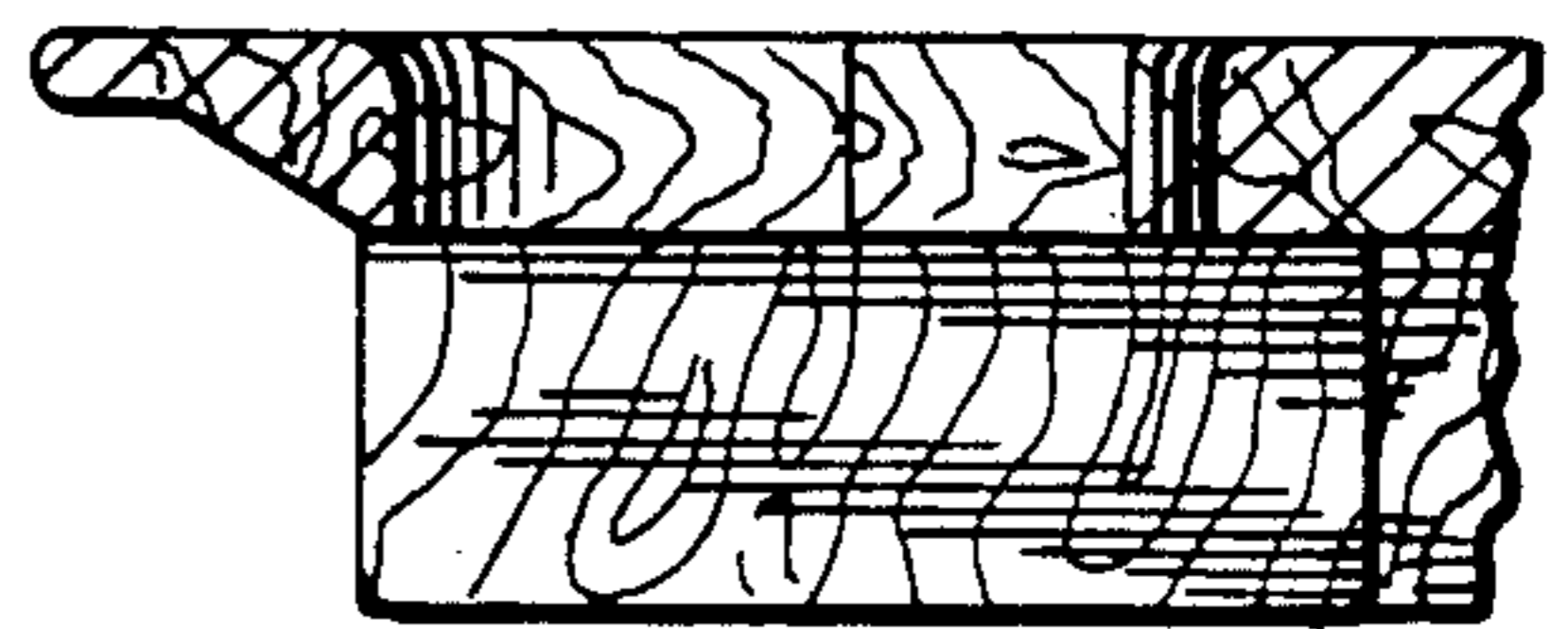


FIG. 6

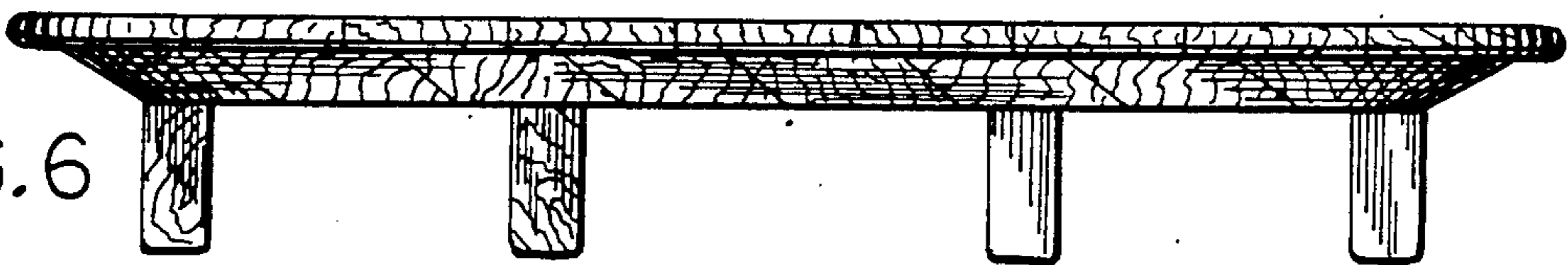


FIG. 7

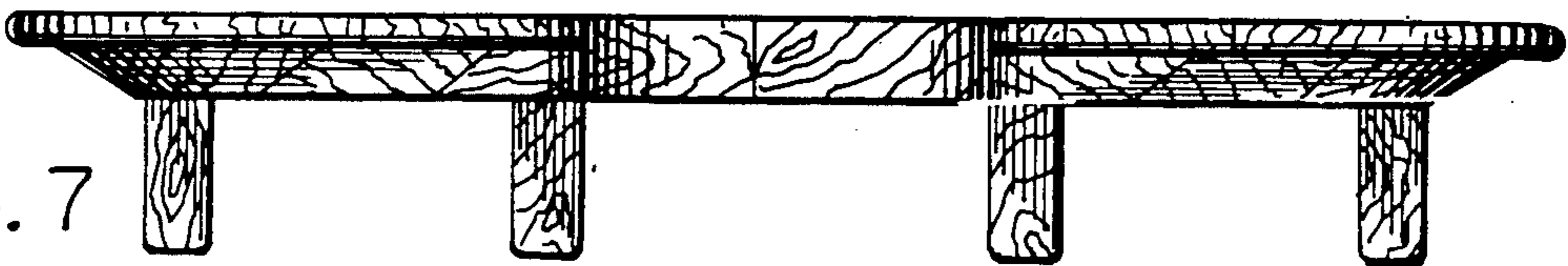
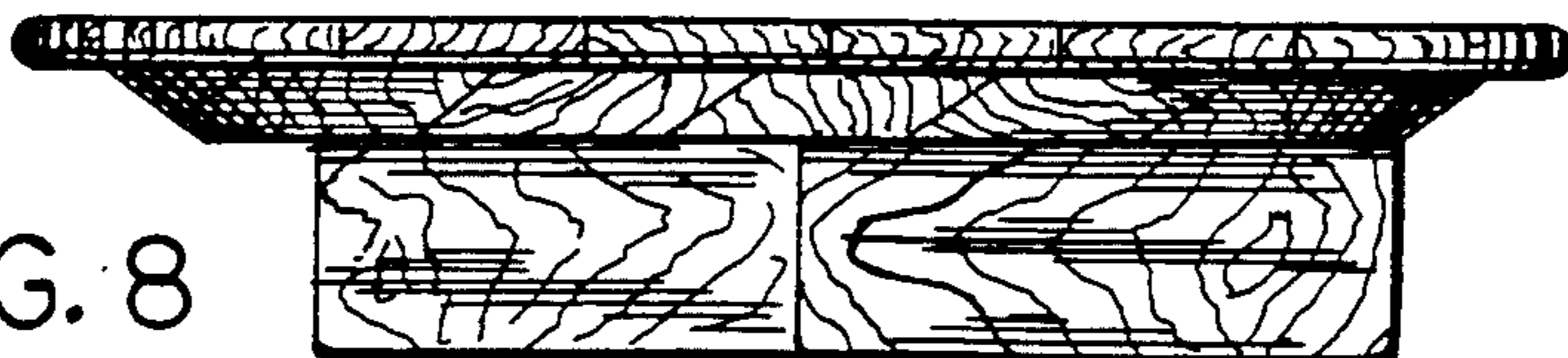


FIG. 8



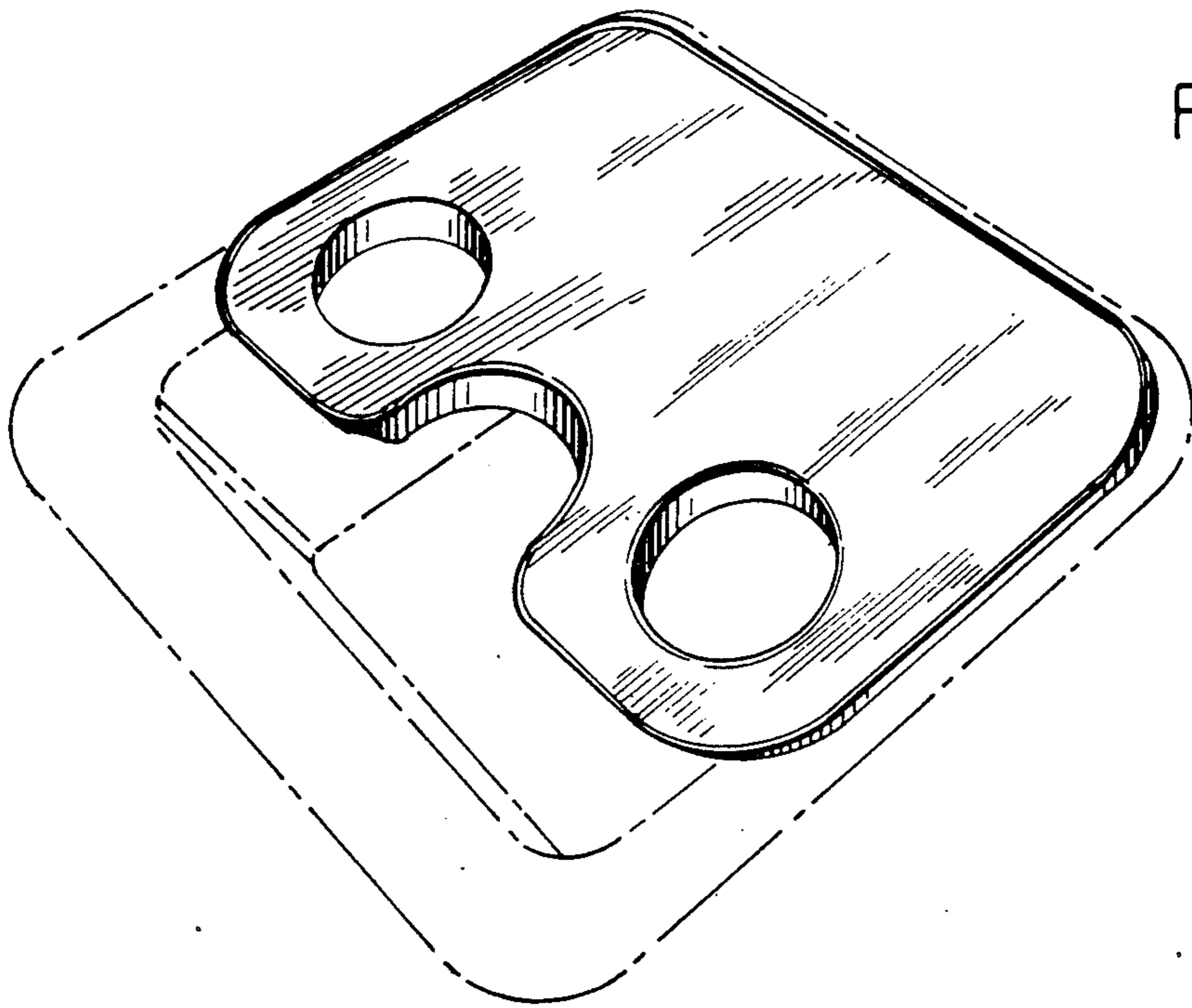


FIG. 9

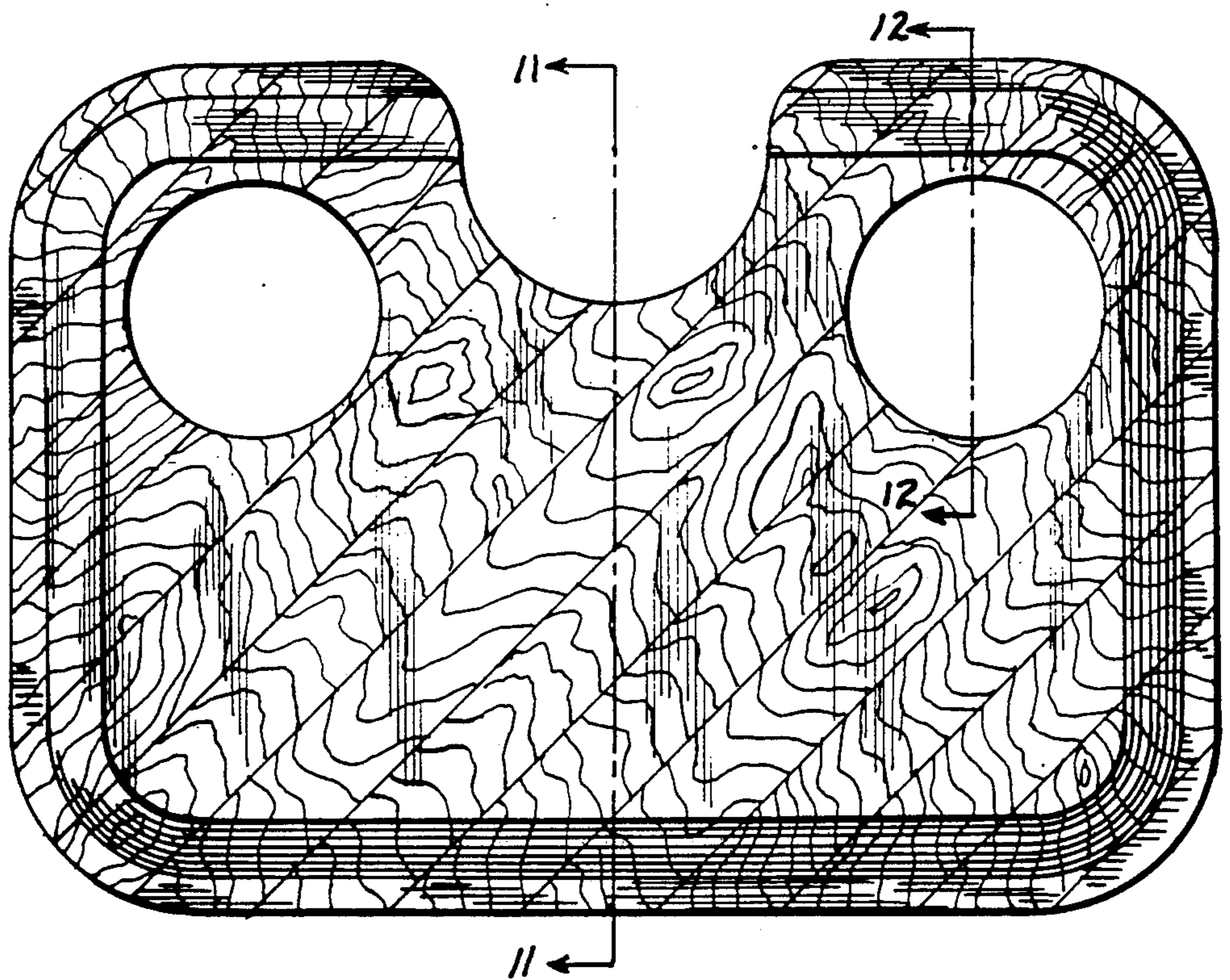


FIG. 10

FIG. 11



FIG. 12



FIG. 13



FIG. 14



FIG. 15