

[54] CONTAINER HOLDER

[76] Inventor: Bryan D. Silbernagel, 2311 Hwy. 1D East, Moorhead, Minn. 56560

[\*\*] Term: 14 Years

[21] Appl. No.: 374,937

[22] Filed: Jul. 3, 1989

[52] U.S. Cl. .... D7/619

[58] Field of Search ..... D7/619-625; 220/85 H; 215/100.5; 211/71, 74, 75; 248/311.2, 313

[56] References Cited

U.S. PATENT DOCUMENTS

D. 288,054 2/1987 Schulte et al. .... D7/620  
3,224,644 12/1965 Davis ..... 248/313 X

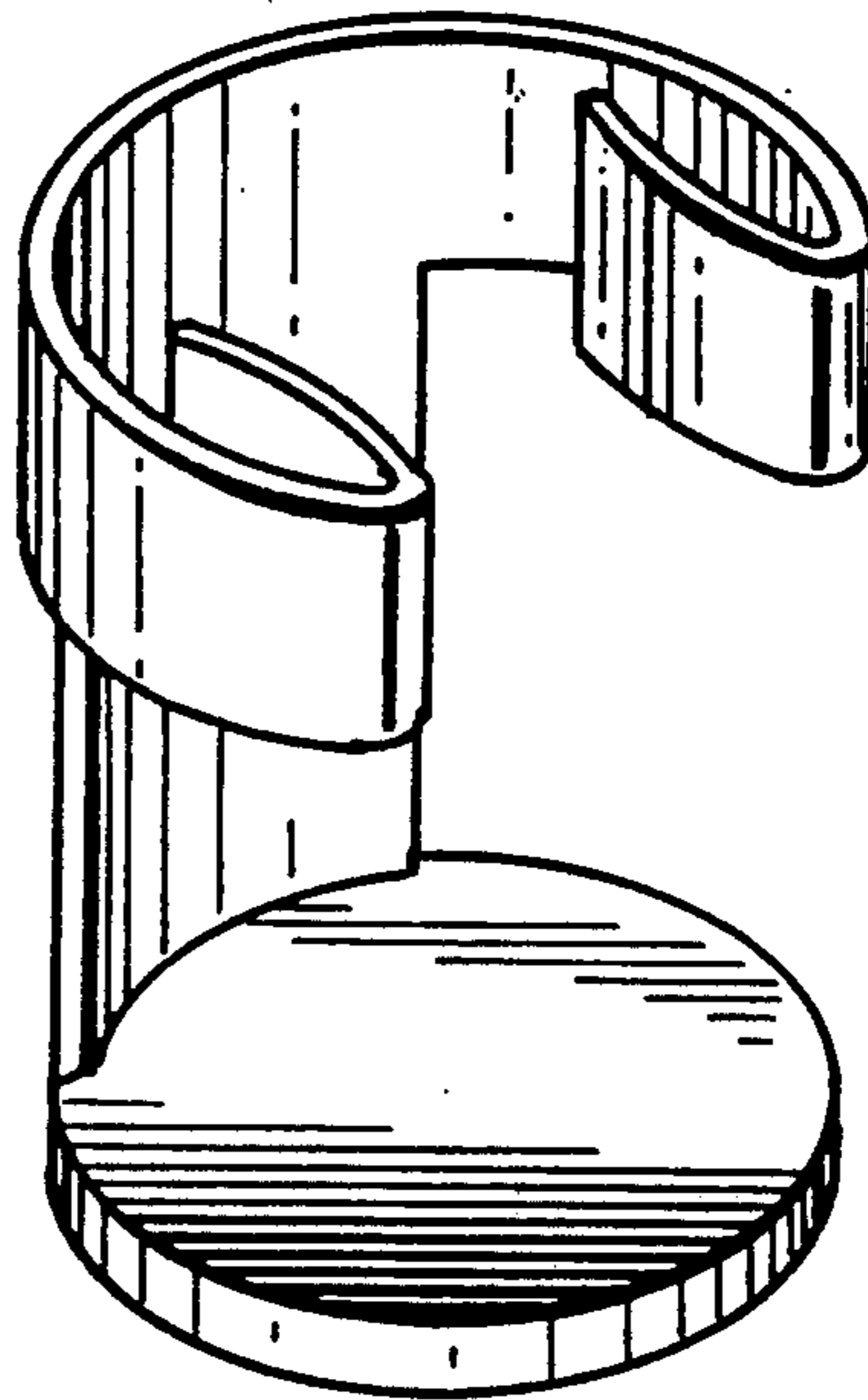
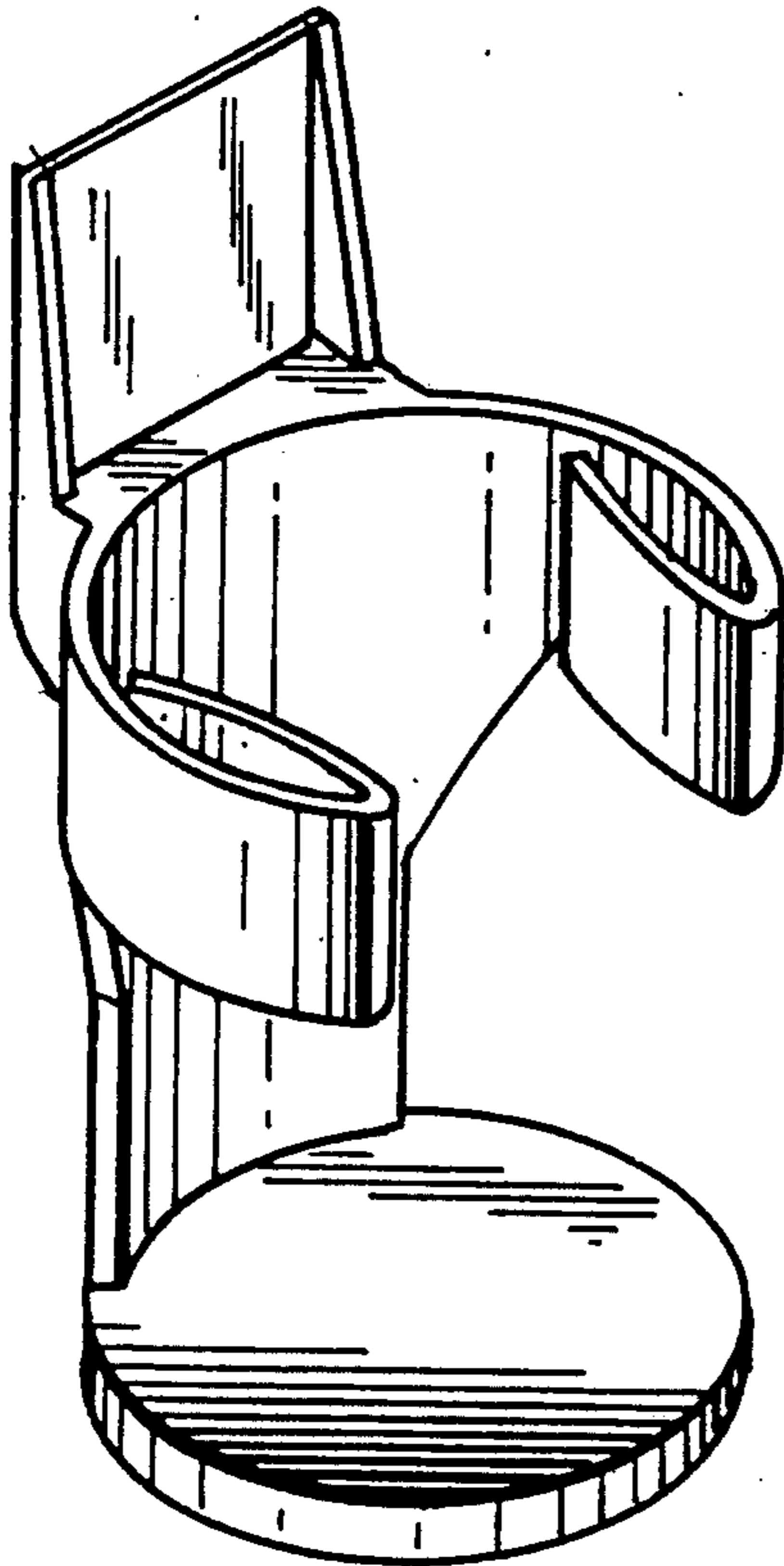
Primary Examiner—Terry A. Pfeffer  
Attorney, Agent, or Firm—Burd, Bartz & Gutenkauf

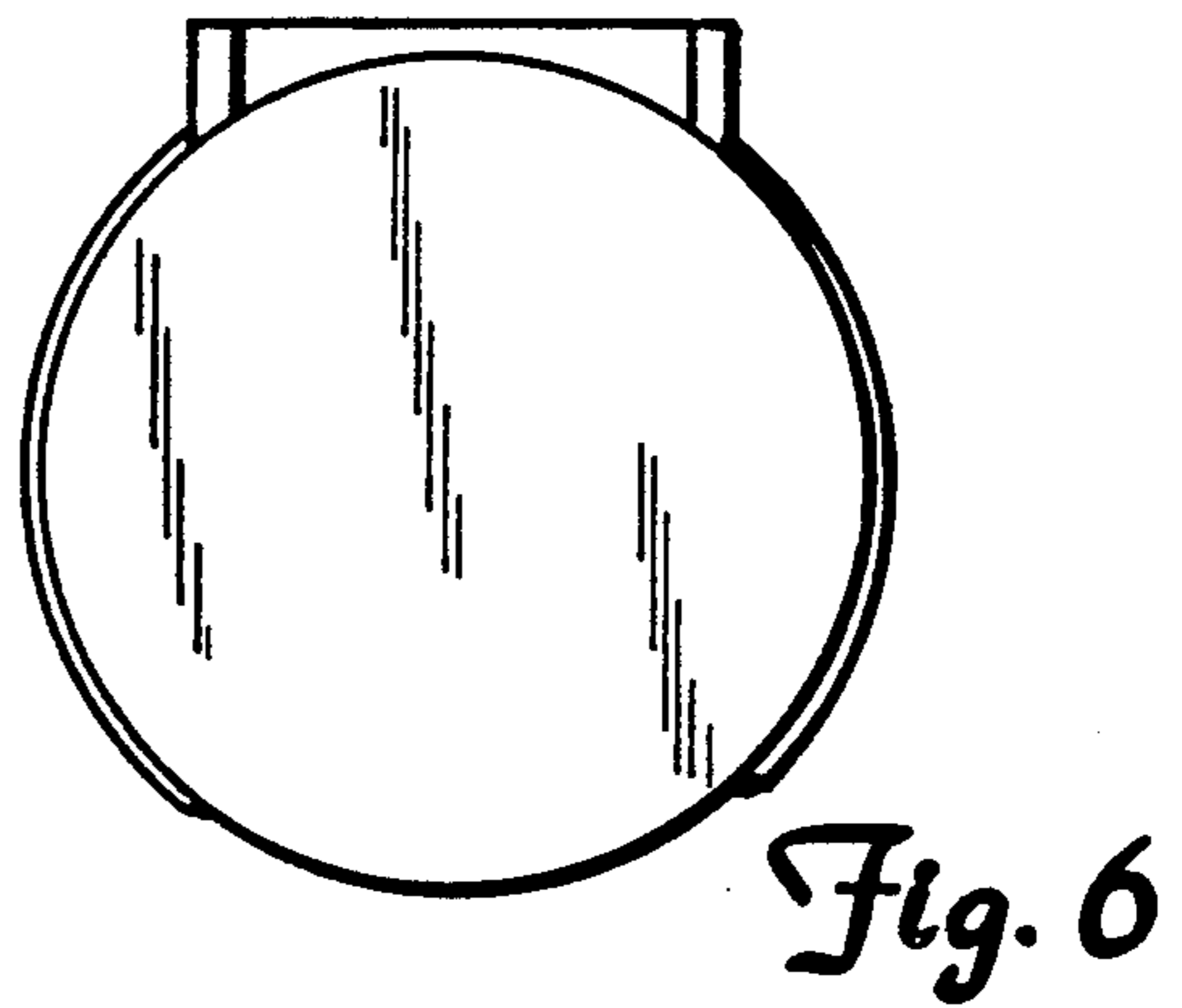
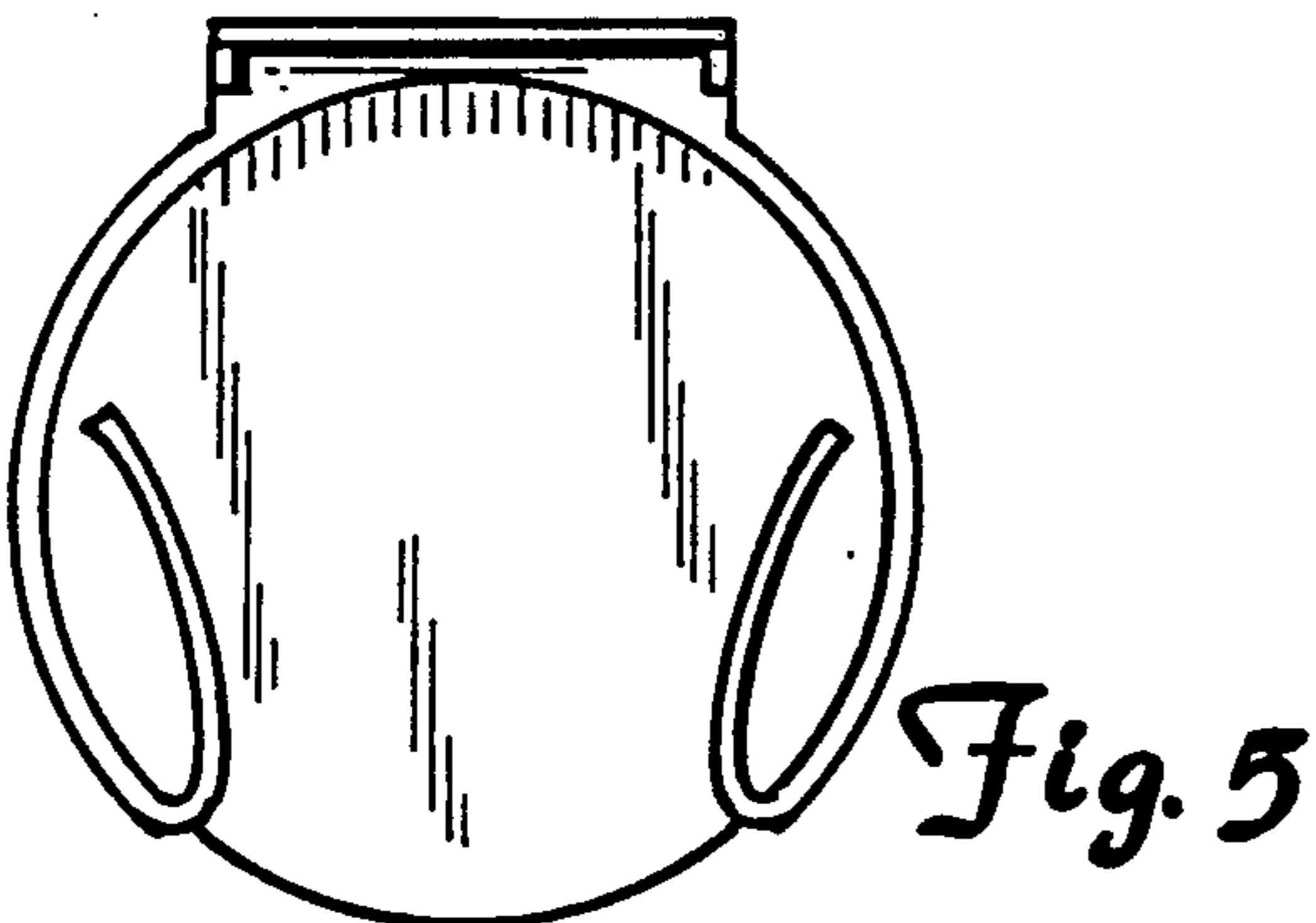
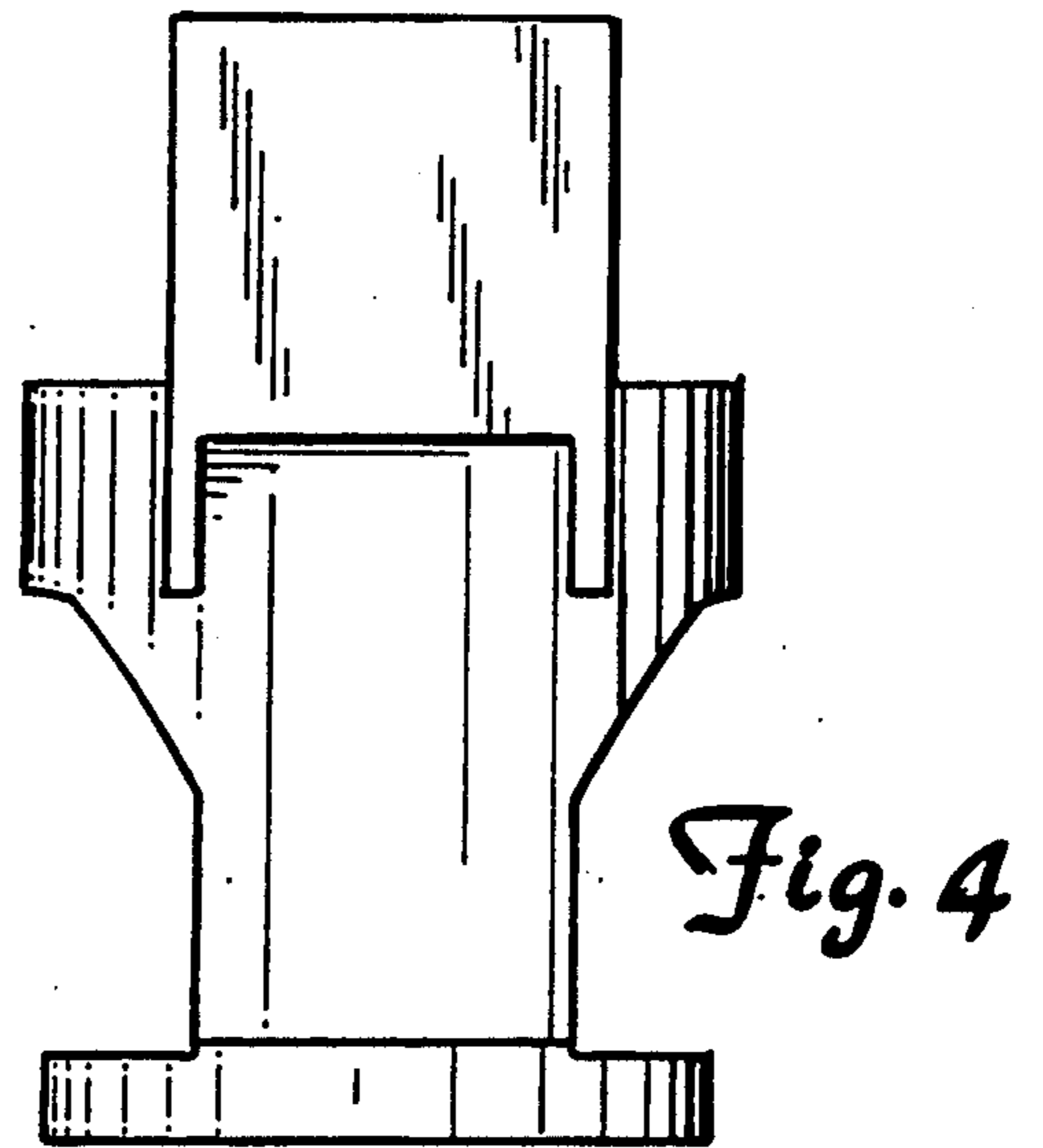
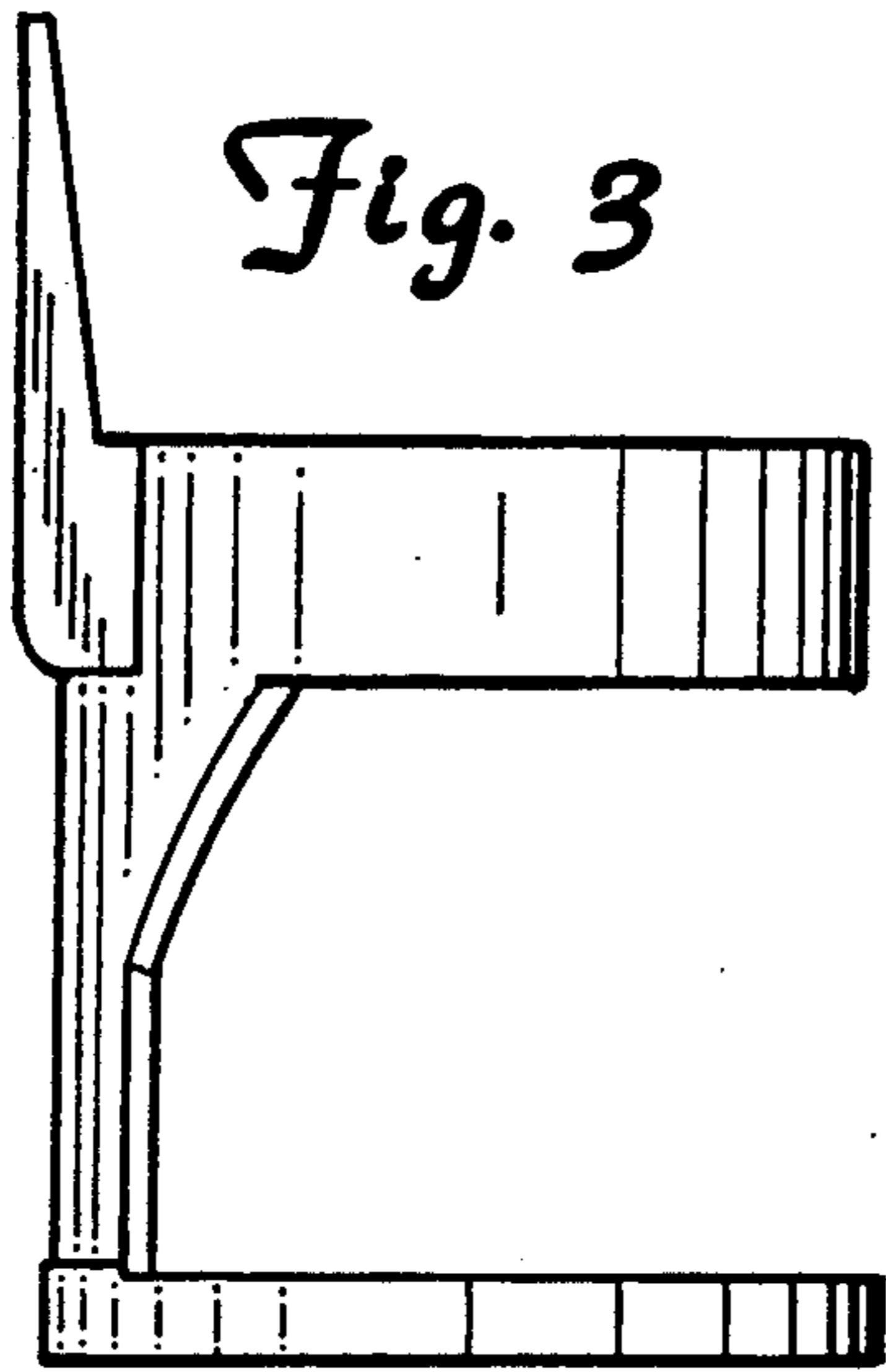
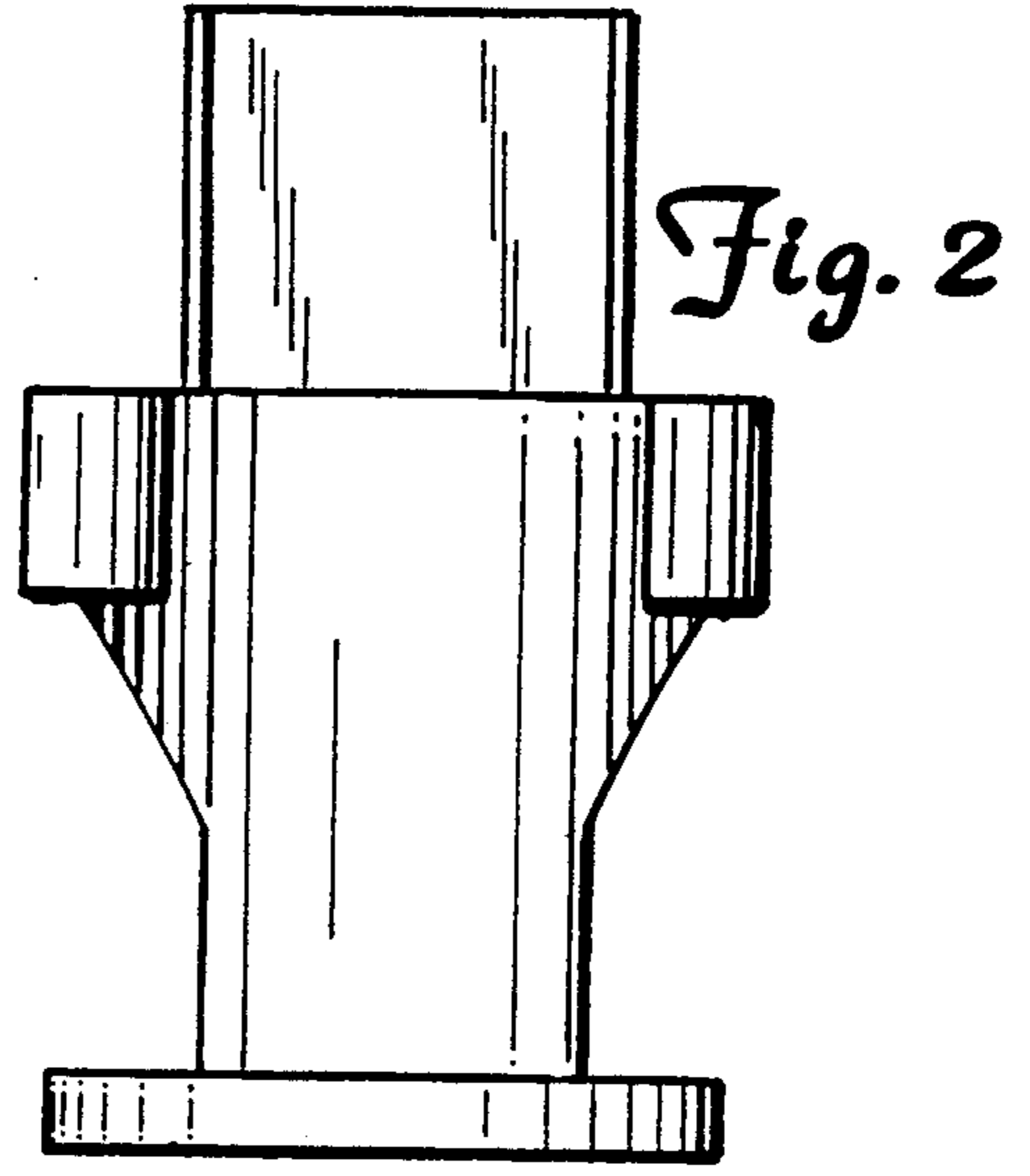
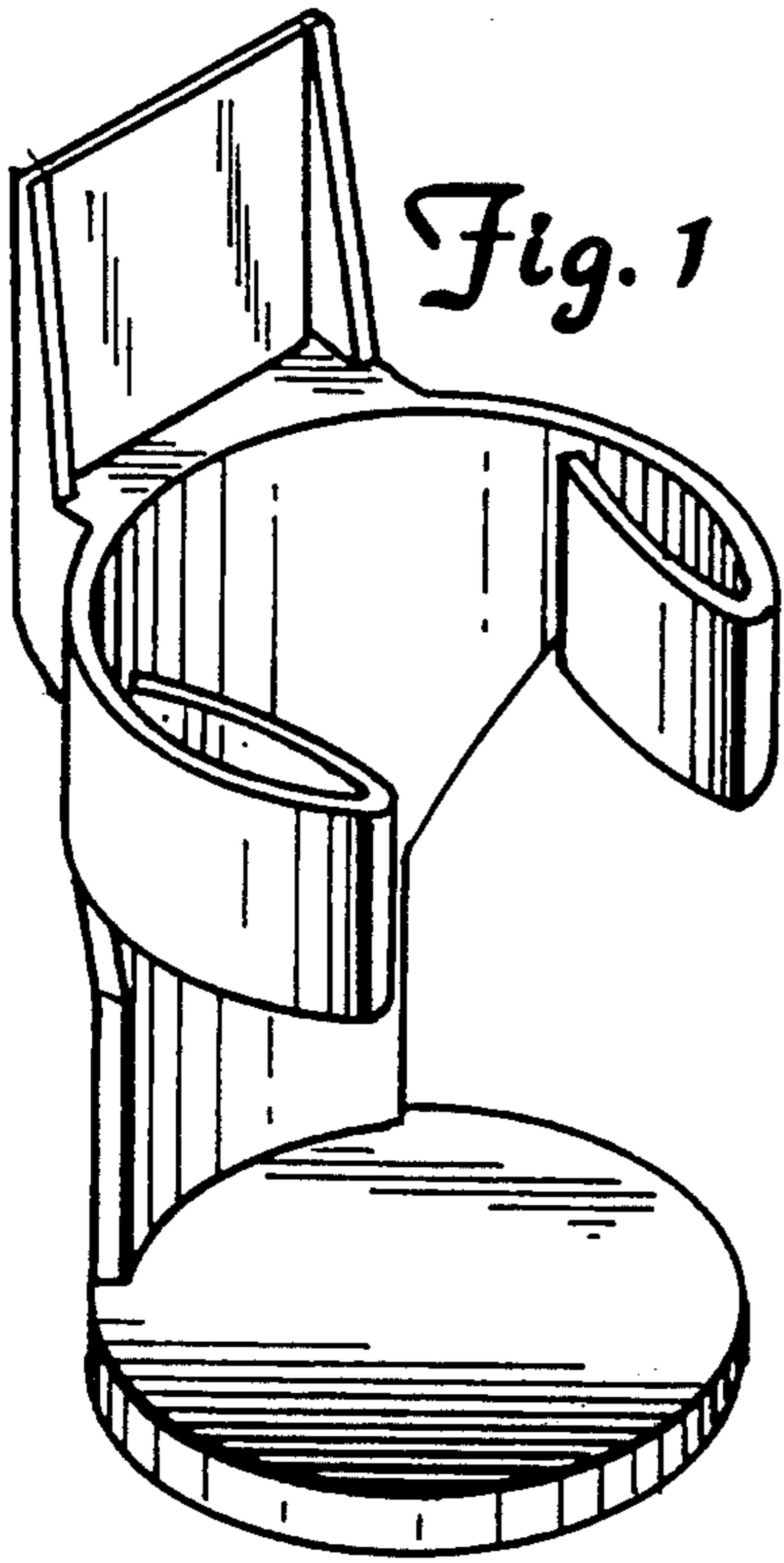
[57] CLAIM

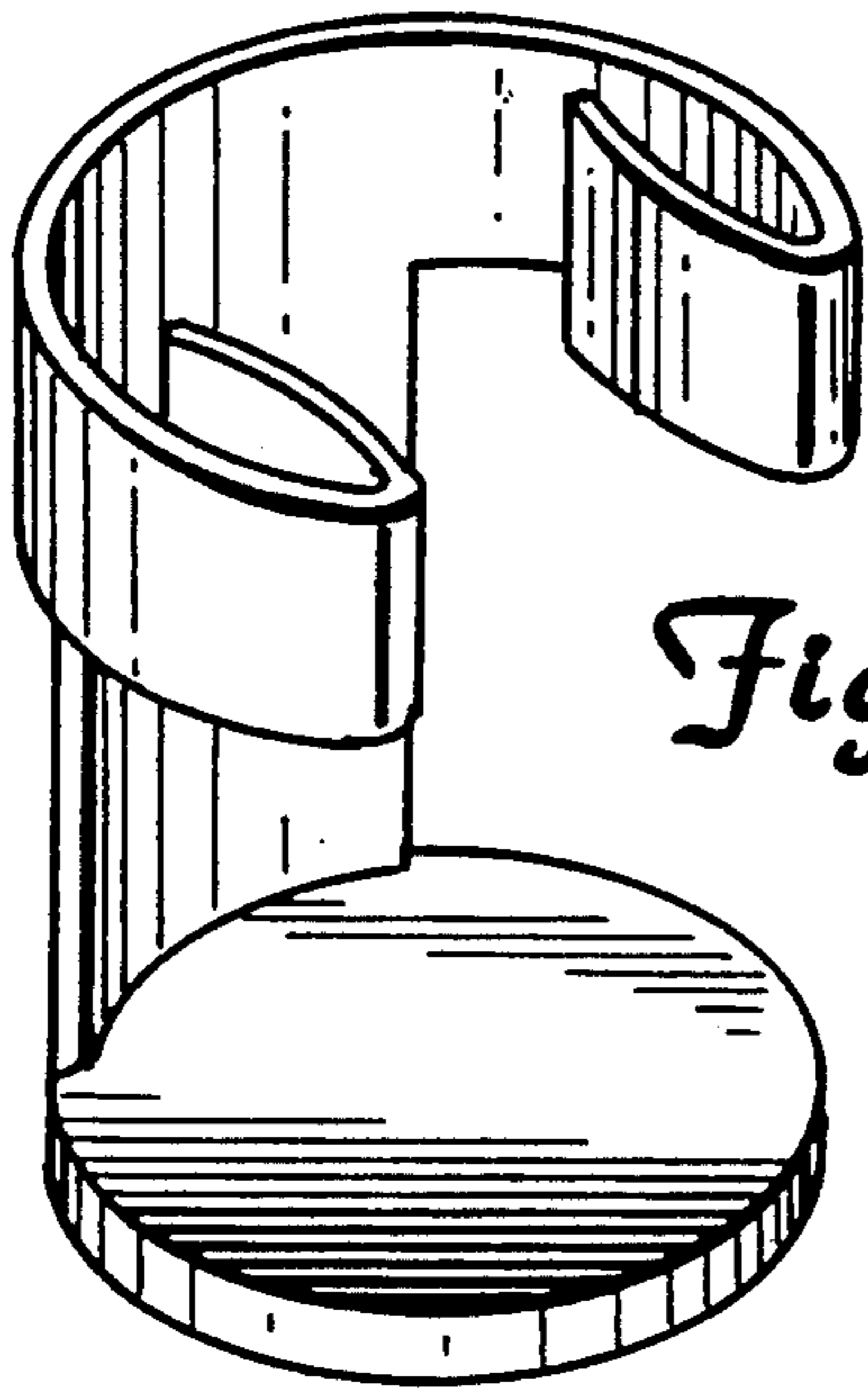
The ornamental design for a container holder, as shown and described.

DESCRIPTION

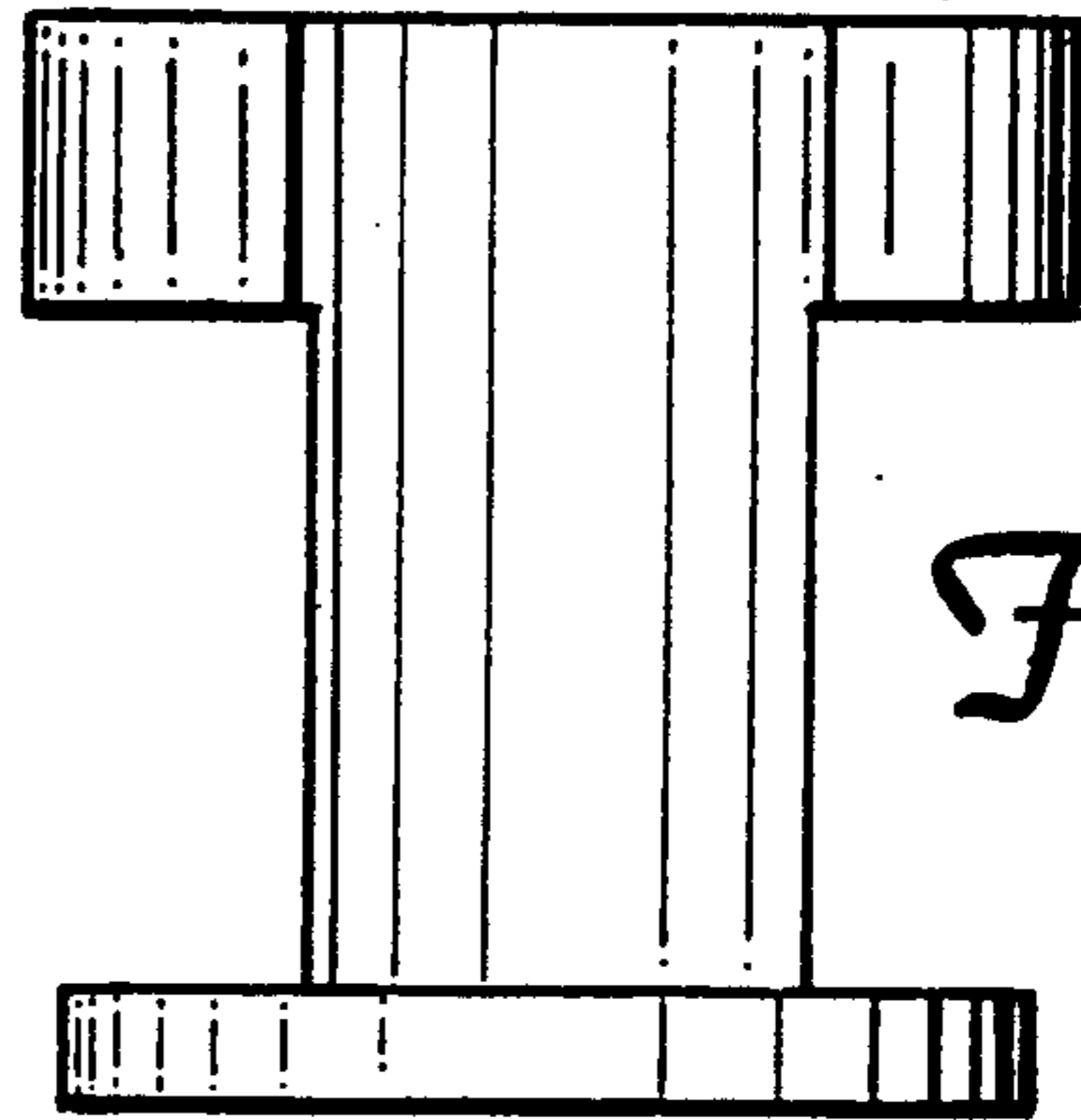
FIG. 1 is a front perspective view of a container holder, showing my new design;  
FIG. 2 is a front elevational view thereof;  
FIG. 3 is a side view thereof; the opposite side being a mirror image thereof;  
FIG. 4 is a rear elevational view thereof;  
FIG. 5 is a top plan view thereof;  
FIG. 6 is a bottom plan view thereof;  
FIG. 7 is a front perspective view of an alternate embodiment of FIG. 1;  
FIG. 8 is a front elevational view of FIG. 7;  
FIG. 9 is a side view of FIG. 7, the opposite side being a mirror image thereof;  
FIG. 10 is a rear elevational view of FIG. 7;  
FIG. 11 is a top plan view of FIG. 7; and  
FIG. 12 is a bottom plan view of FIG. 7.



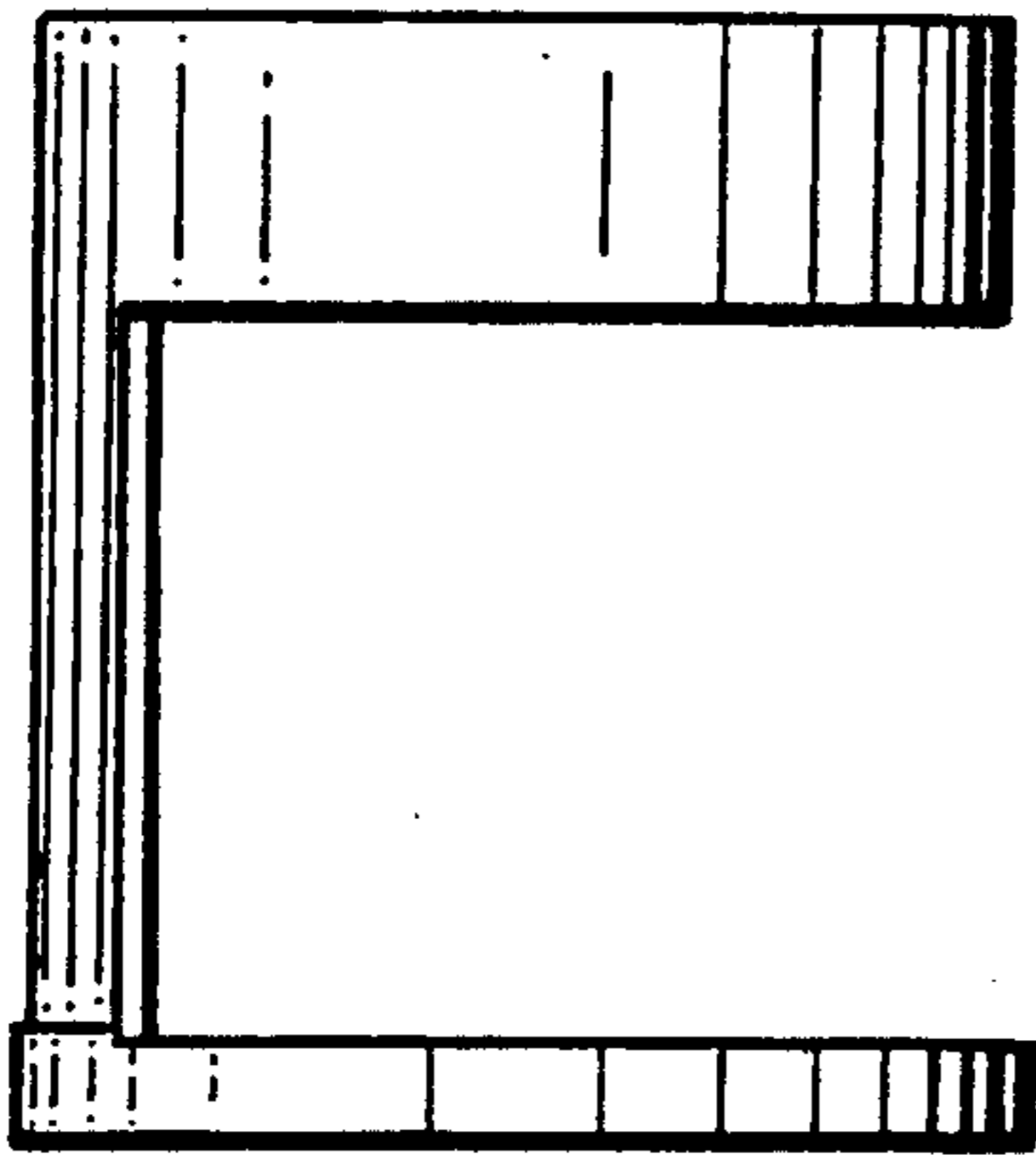




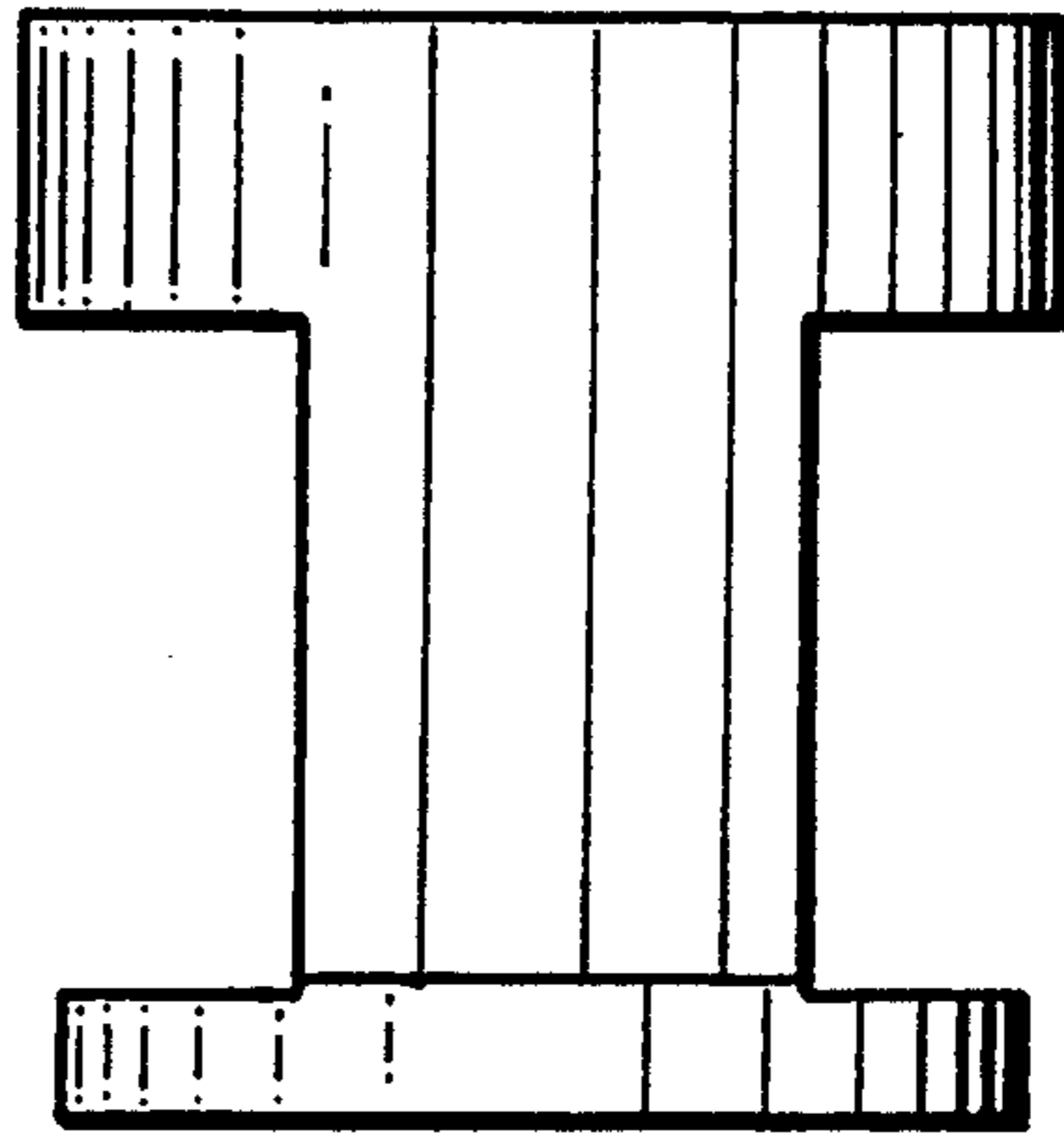
*Fig. 7*



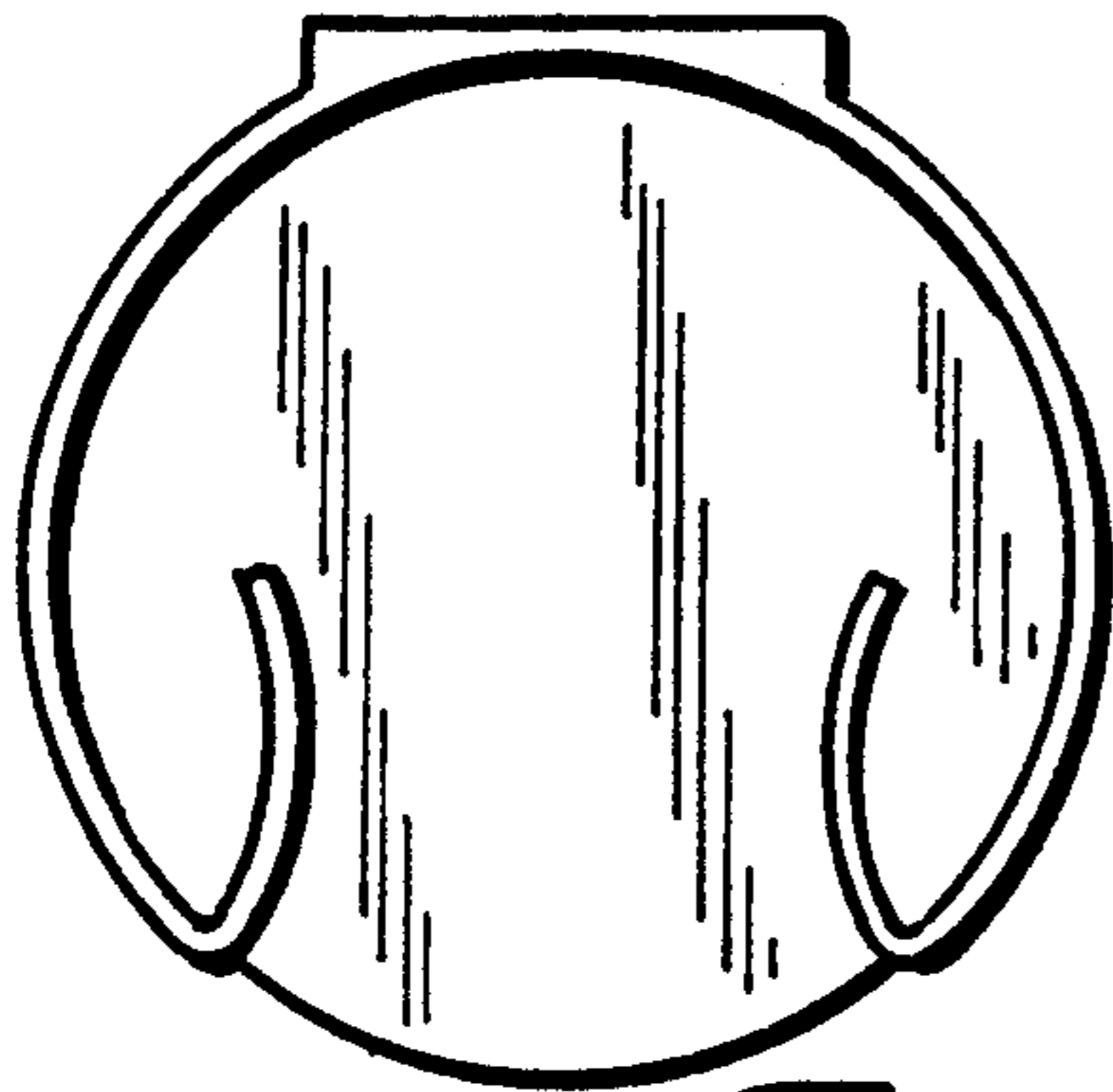
*Fig. 8*



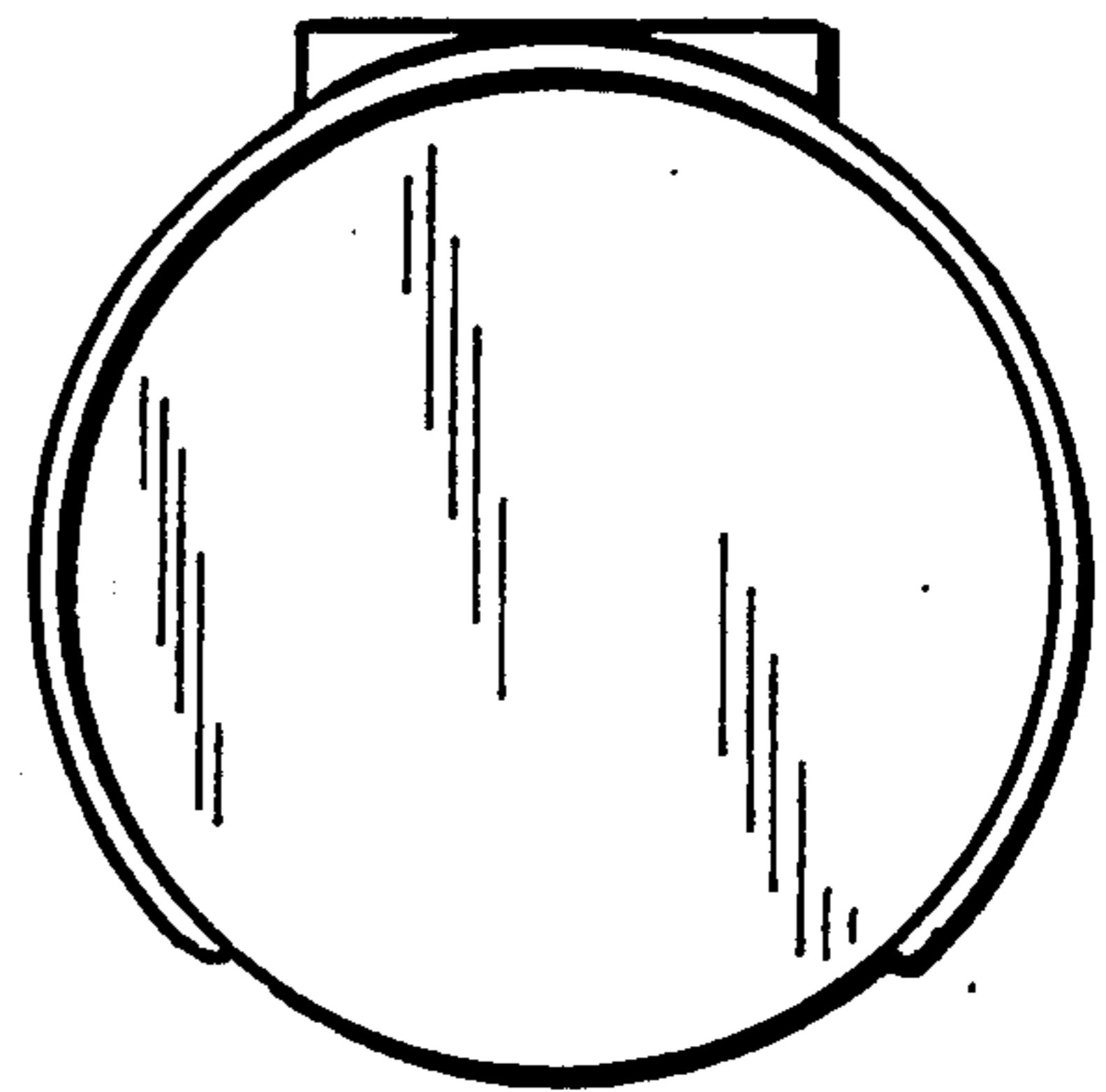
*Fig. 9*



*Fig. 10*



*Fig. 11*



*Fig. 12*