

[54] **SUB-TOP FOR A GAS RANGE**

[75] **Inventor: Ronald D. Schweitzer, Mansfield, Ohio**

[73] **Assignee: White Consolidated Industries, Inc., Cleveland, Ohio**

[**] **Term: 14 Years**

[21] **Appl. No.: 55,750**

[22] **Filed: May 29, 1987**

[52] **U.S. Cl. D7/402**

[58] **Field of Search D15/402, 407-408; 126/39 B, 39 BA, 39 E, 39 M, 211, 220, 144**

[56] **References Cited**

U.S. PATENT DOCUMENTS

D. 92,481 6/1934 Maul 126/214 D

D. 250,081 10/1978 Stansberry, Jr. et al. D7/407
4,572,154 2/1986 Schweitzer 126/39 E
4,718,400 1/1988 Lotz et al. 126/39 B

Primary Examiner—A. Hugo Word

Assistant Examiner—Doris V. Coles

Attorney, Agent, or Firm—Pearne, Gordon, McCoy & Granger

[57] **CLAIM**

The ornamental design for a sub-top for a gas range, as shown and described.

DESCRIPTION

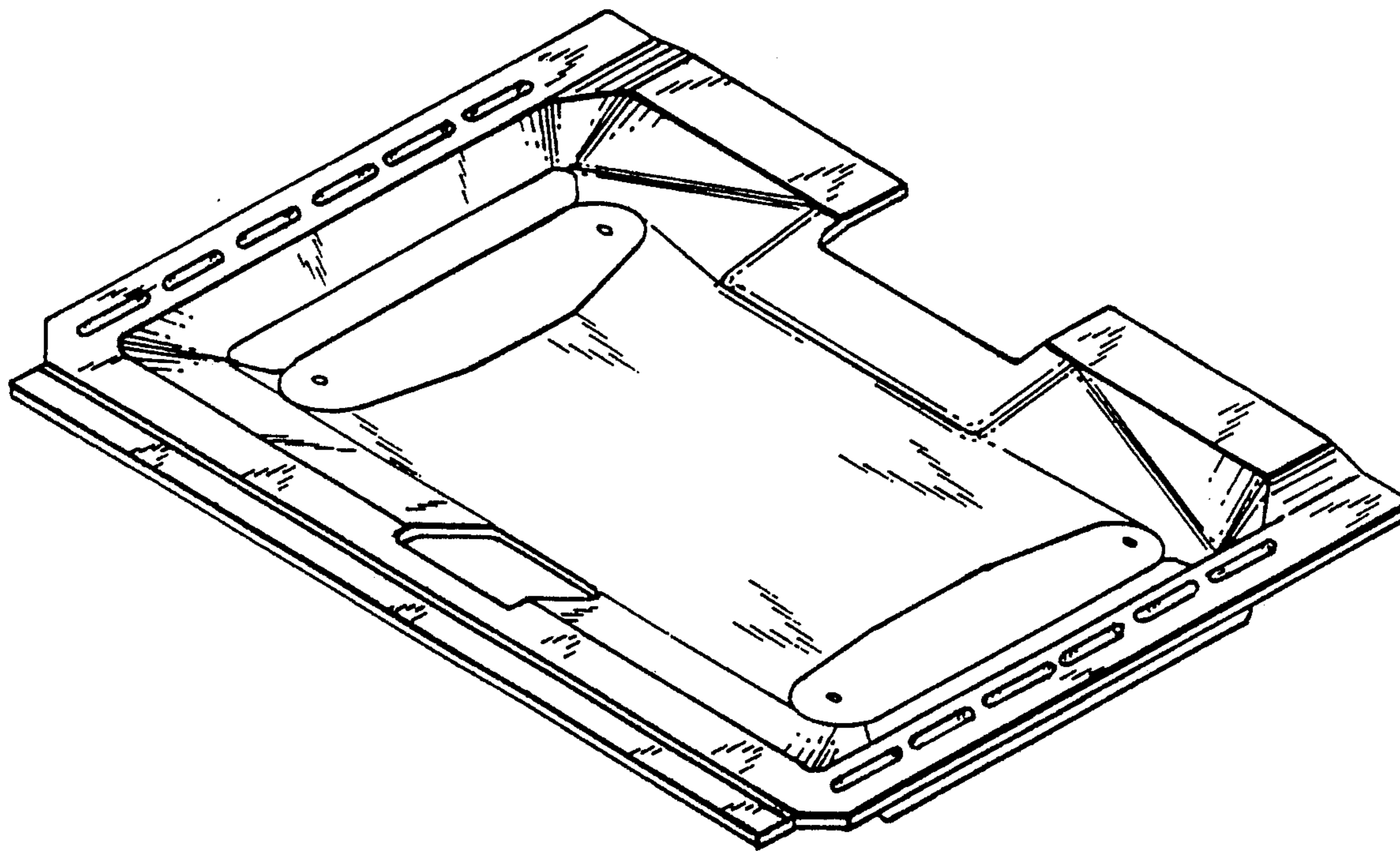
FIG. 1 is a perspective view of a sub-top for a gas range appliance showing my new design;

FIG. 2 is a top plan view thereof;

FIG. 3 is a bottom plan view thereof;

FIG. 4 is a rear elevational view thereof, and

FIG. 5 is a side elevational view thereof.



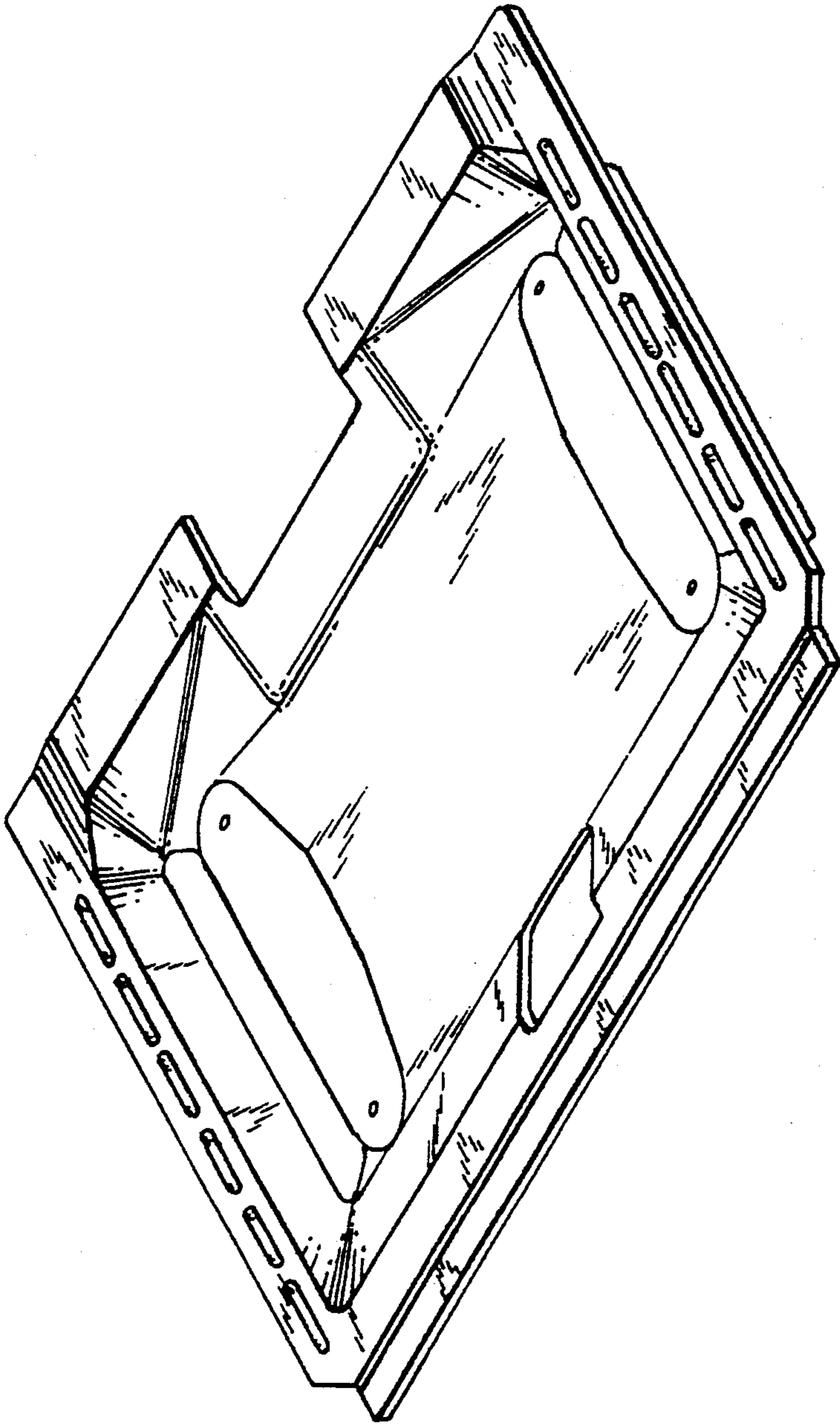


FIG. 1



FIG. 5

FIG.2

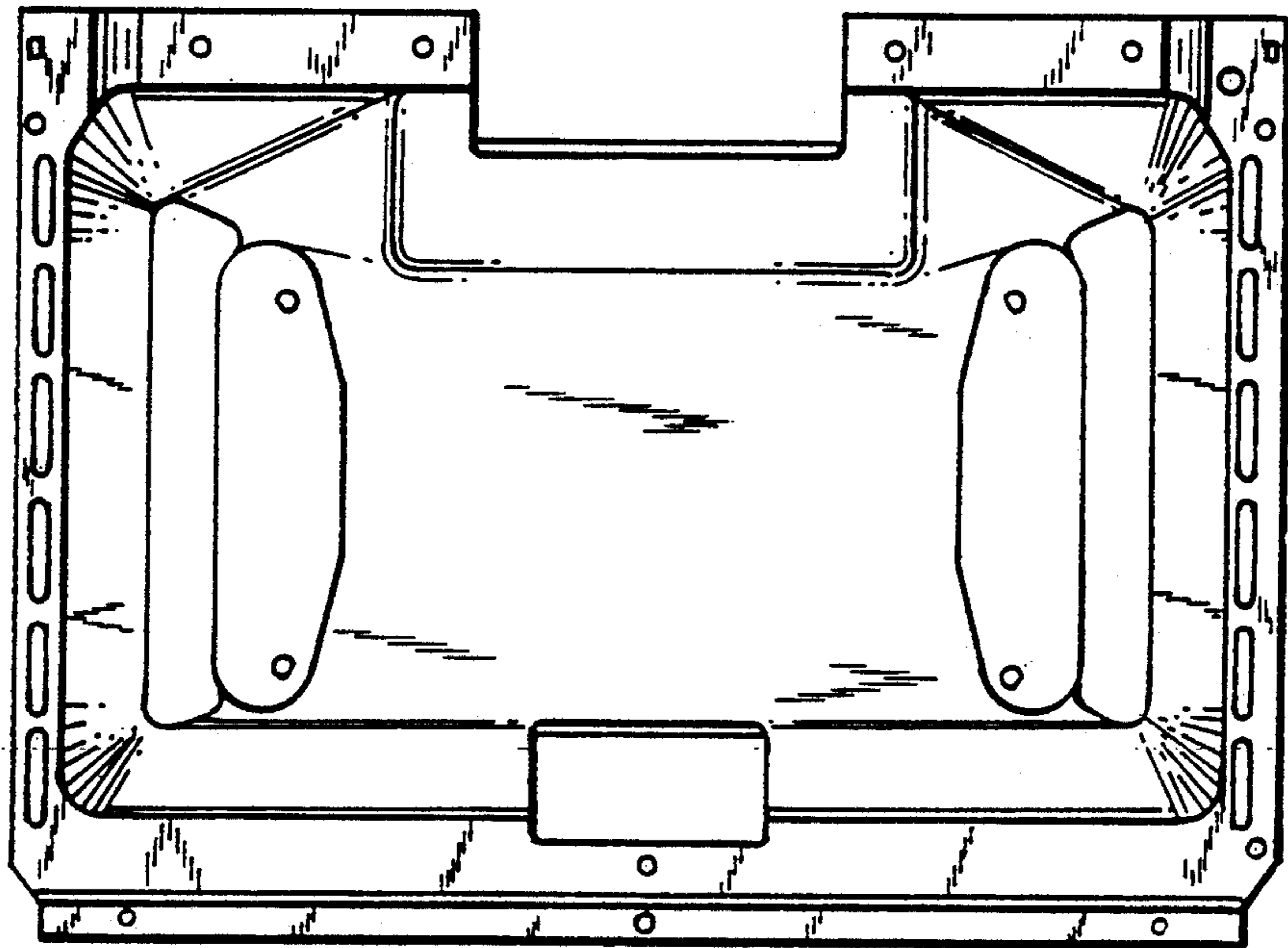


FIG.3

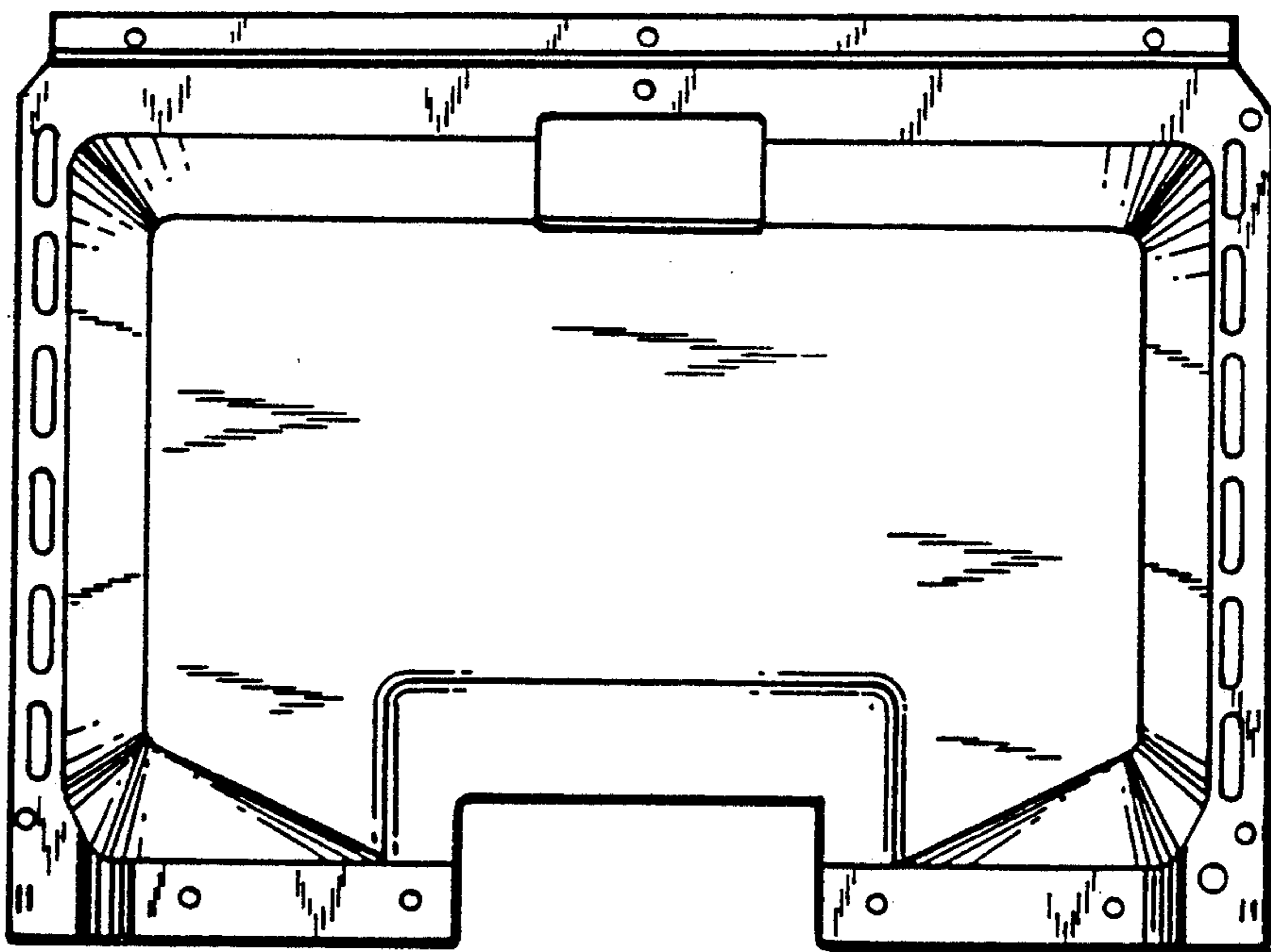


FIG.4

