

[54] PACKAGE-FILTER COMBINATION FOR A BEVERAGE PREPARATION MACHINE OR THE LIKE

[75] Inventors: Alec T. Newman; Charles A. Bentley, both of Banbury, United Kingdom

[73] Assignee: General Foods Limited, Banbury, United Kingdom

[**] Term: 14 Years

[21] Appl. No.: 244,453

[22] Filed: Sep. 13, 1988

[30] Foreign Application Priority Data

Mar. 17, 1988 [GB] United Kingdom 1049286

[52] U.S. Cl. D7/399; D7/400; D9/425

[58] Field of Search D7/309, 300, 399, 400, D7/397; 99/295, 279, 306, 304, 323; D9/425

[56] References Cited

U.S. PATENT DOCUMENTS

D. 312,373	11/1990	Kozloski	D7/400
3,030,874	4/1962	Fiori	99/295 X
3,345,935	10/1967	Waline	99/304 X
4,853,234	8/1989	Bentley et al.	99/295 X

Primary Examiner—Winifred E. Herrmann

[57] CLAIM

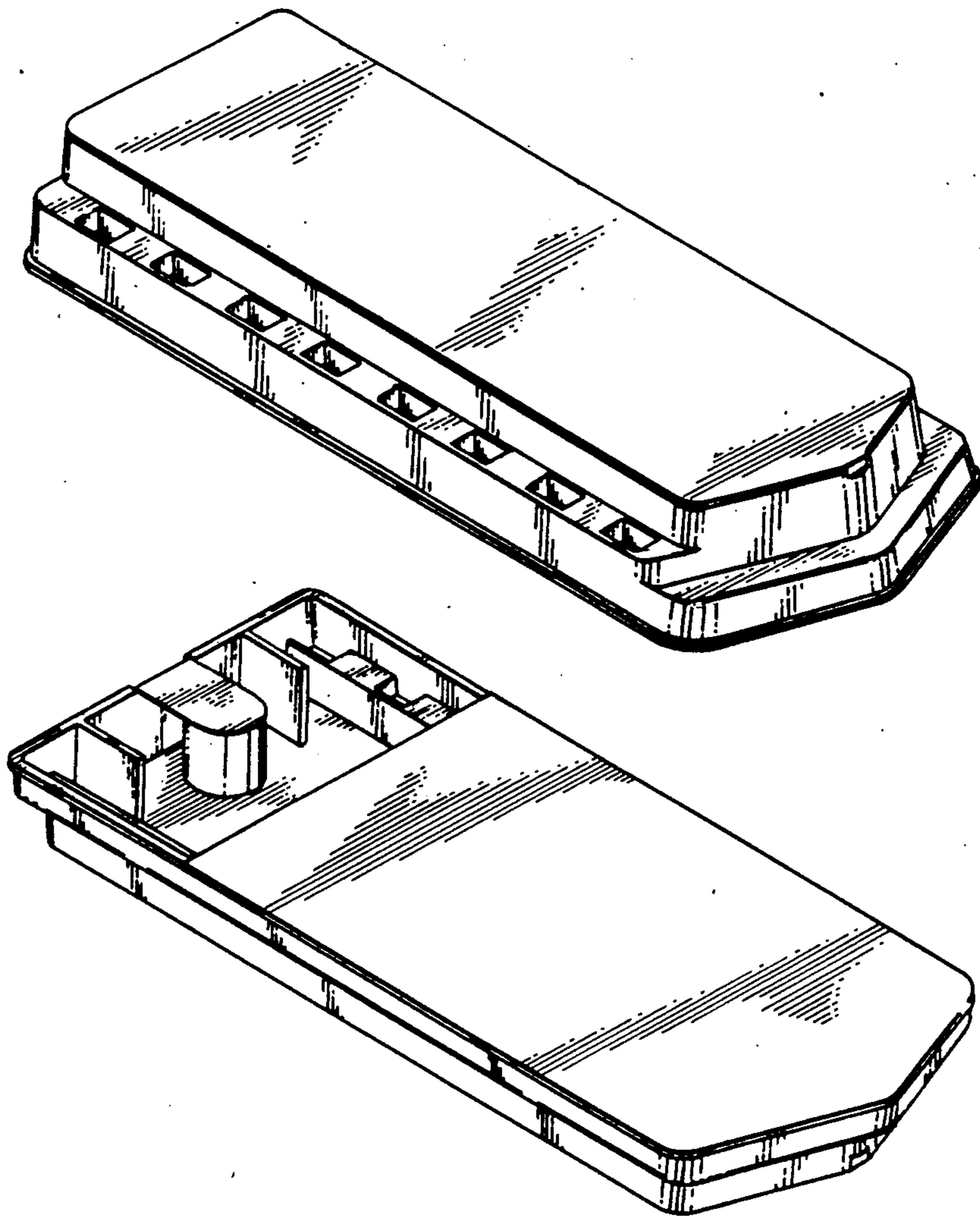
The ornamental design for a package-filter combination for a beverage preparation machine or the like, as shown and described.

DESCRIPTION

FIG. 1 is a perspective view from above, one side and one end of a package-filter combination for a beverage preparation machine or the like showing our new design;

FIG. 2 is a perspective view of the underneath and other side; and

FIG. 3 is the elevation of the other end thereof.



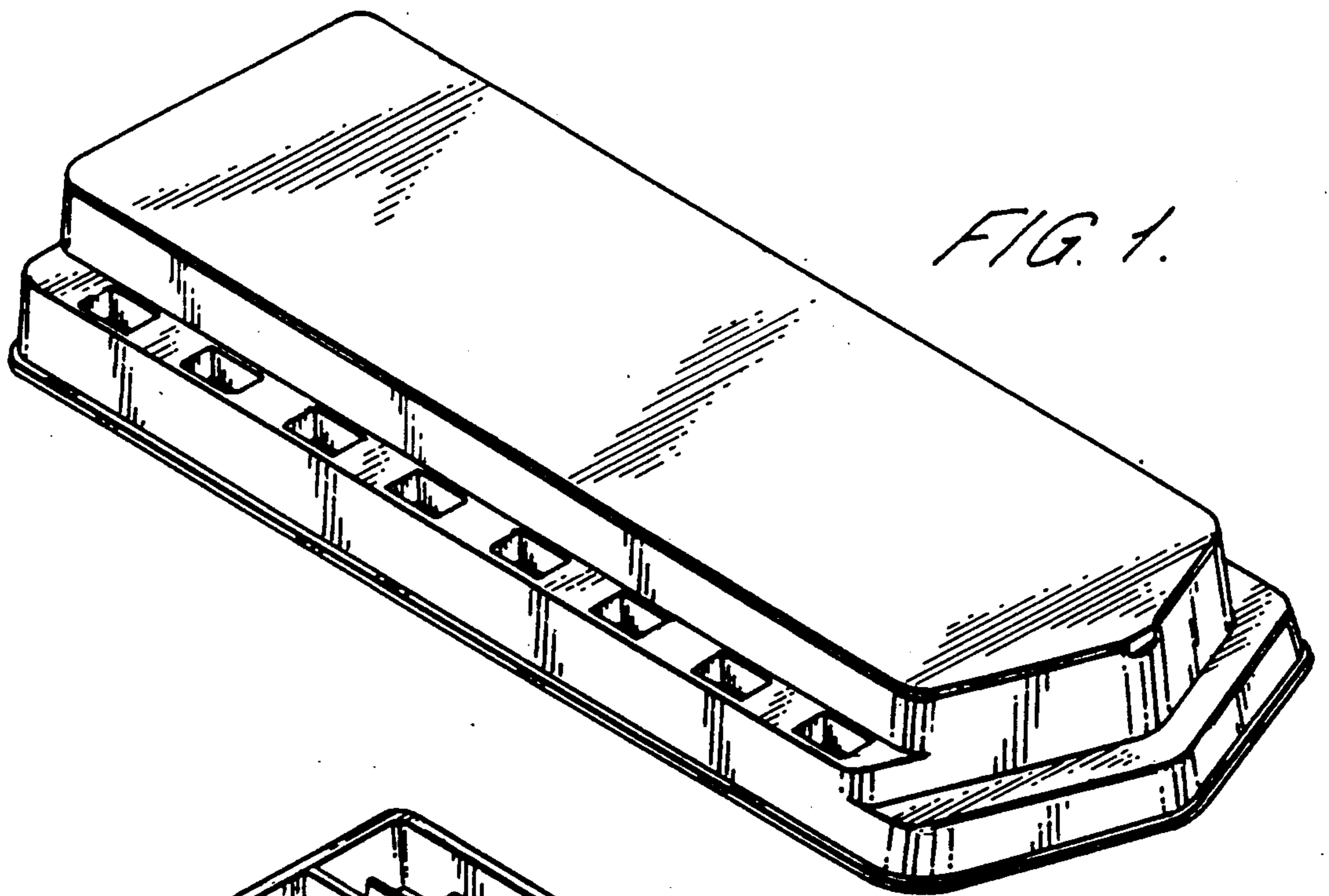


FIG. 1.

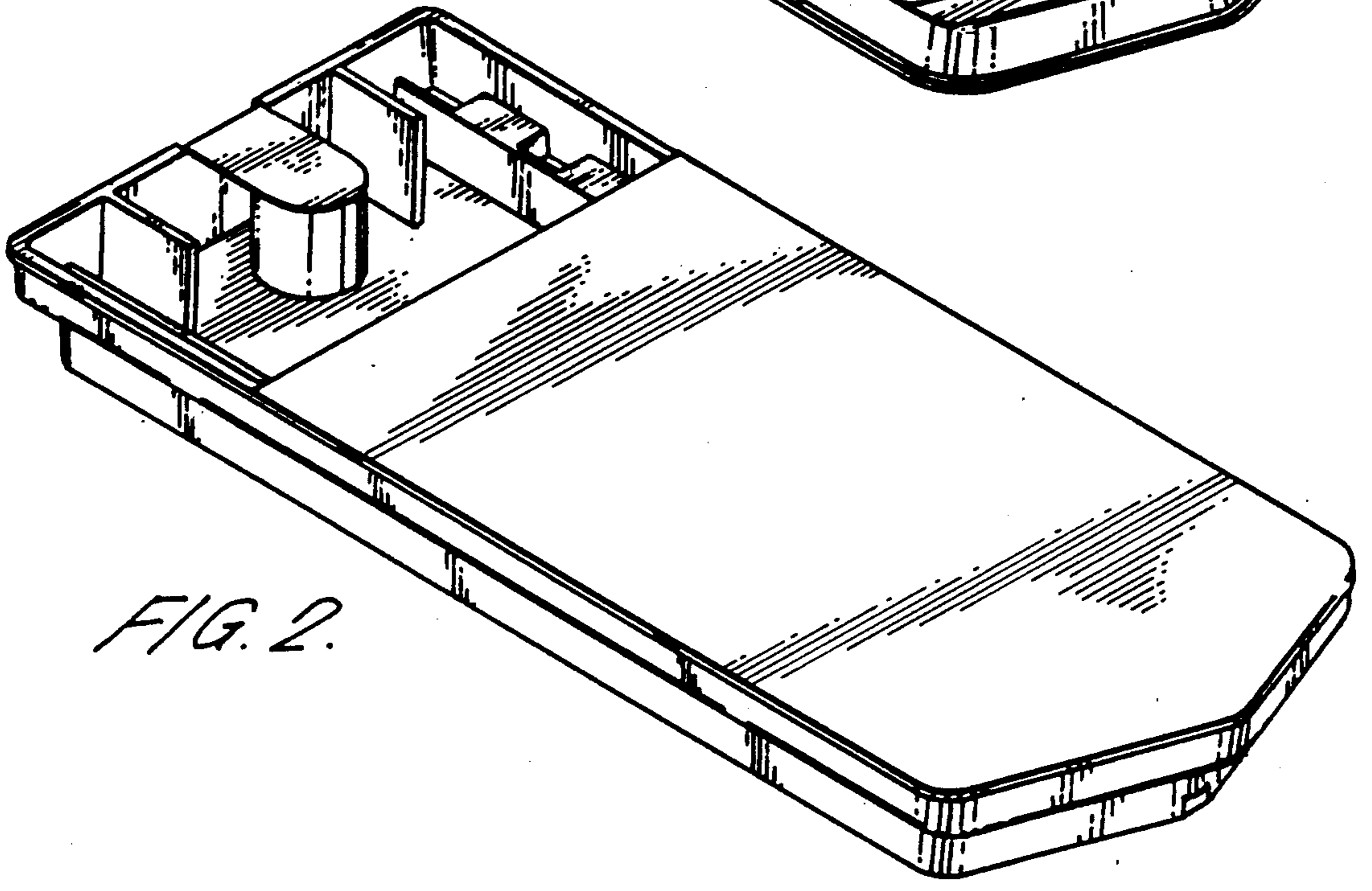


FIG. 2.

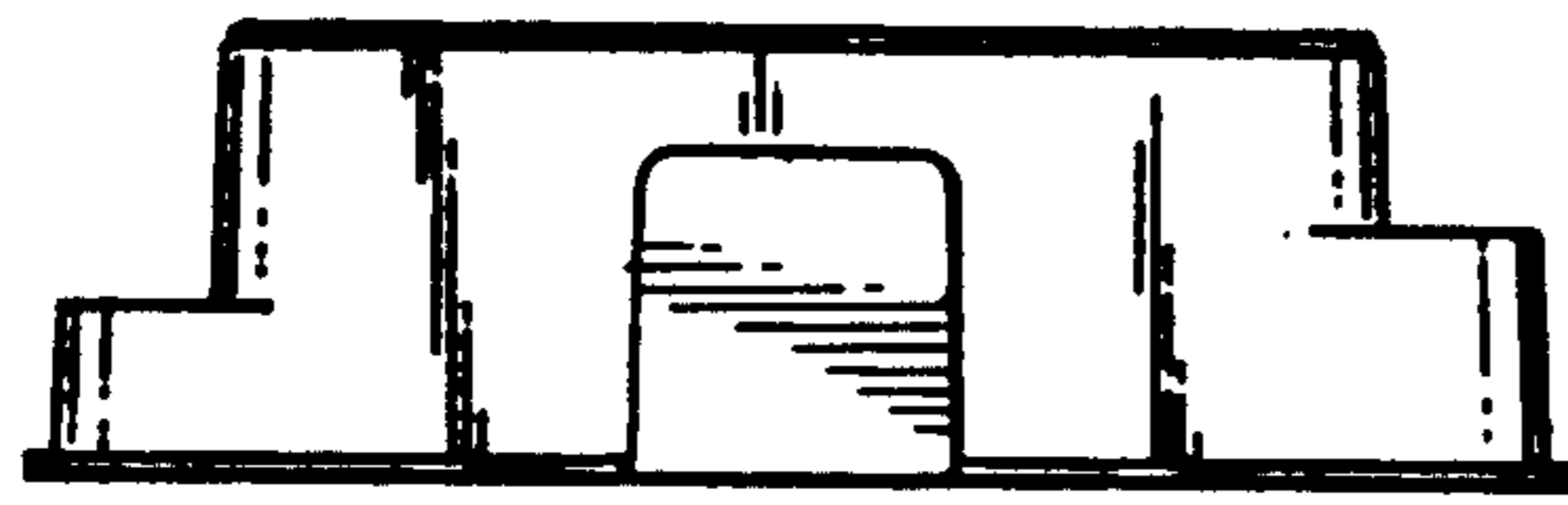


FIG. 3.