

[54] SWIVEL BATH SEAT FOR INFANTS

[75] Inventors: Michael S. Bernstein, Natick, Mass.; David W. Crossley, Woonsocket, R.I.; Michael I. Lerner, Brookline, Mass.

[73] Assignee: Safety 1st, Inc., Chestnut Hill, Mass.

[**] Term: 14 Years

[21] Appl. No.: 441,063

[22] Filed: Nov. 20, 1989

[52] U.S. Cl. D6/333; D23/303

[58] Field of Search D6/333, 339; D23/278, D23/296, 297, 303, 304; 4/560, 562, 563, 571, 572, 573

[56] References Cited

U.S. PATENT DOCUMENTS

- D. 169,271 4/1953 McWaide D23/304 X
- D. 180,264 5/1957 Black D23/278 X
- D. 223,263 4/1972 Goldstein D23/303
- D. 284,690 7/1986 Mandelbaum D23/303
- D. 288,118 2/1987 Boucher D23/303

- 2,229,411 1/1941 Hughes 4/572 X
- 2,468,742 5/1949 Faulhaber 4/572 X
- 2,503,938 4/1950 Davis, Jr. 4/572
- 2,562,628 7/1951 McPeake, Jr. 4/572 X
- 2,645,781 7/1953 Mover 4/572
- 3,086,222 4/1963 Hall et al. 4/572 X

FOREIGN PATENT DOCUMENTS

- 158278 8/1954 Australia 4/572

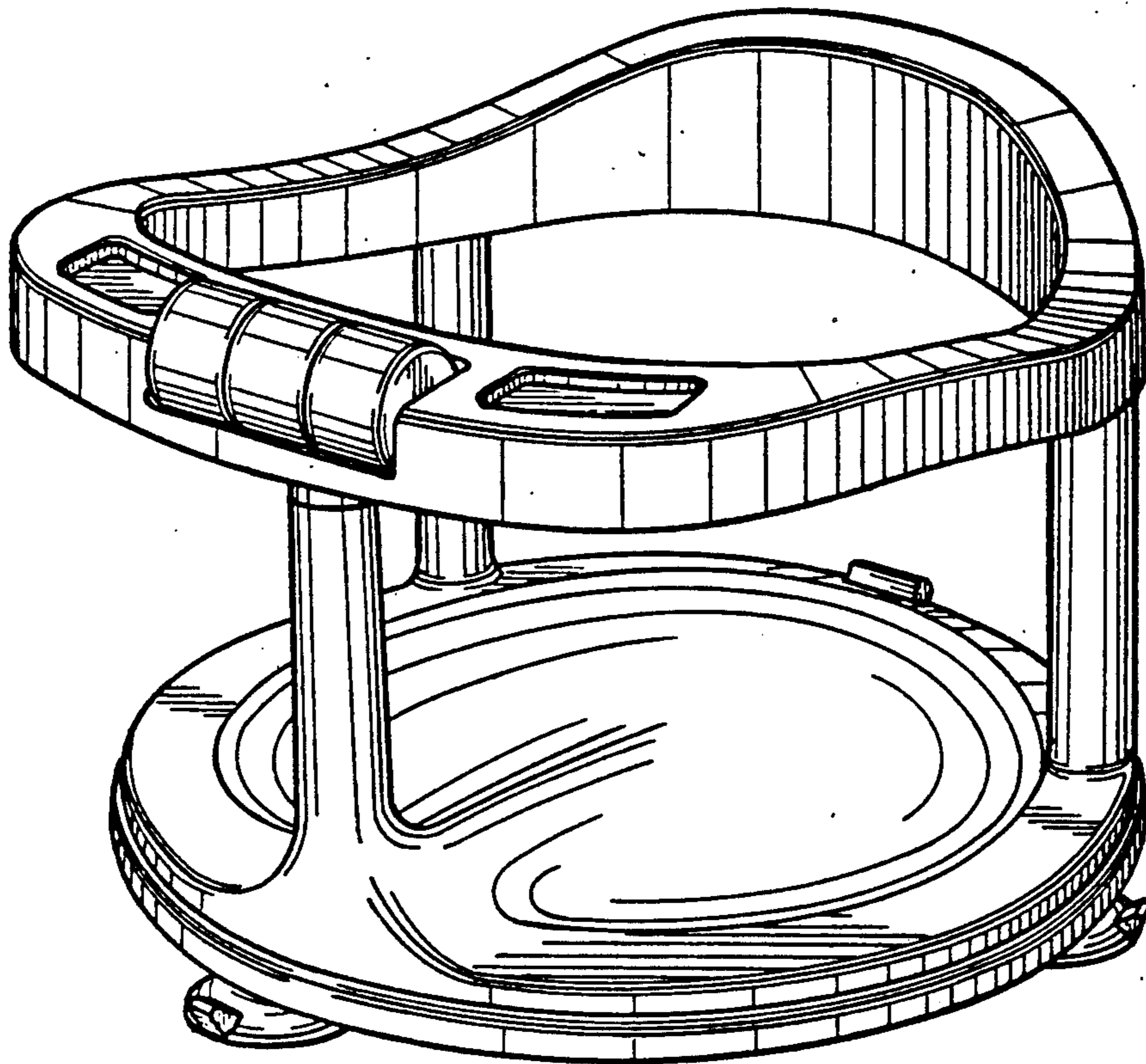
Primary Examiner—James R. Largen
Attorney, Agent, or Firm—Wolf, Greenfield & Sacks

[57] CLAIM

The ornamental design for a swivel bath seat for infants, as shown and described.

DESCRIPTION

FIG. 1 is a perspective view taken from the top, front and right side of a swivel bath seat for infants showing our new design;
 FIG. 2 is a front elevational view thereof;
 FIG. 3 is a left side elevational view thereof, the right side being a mirror image of the left side;
 FIG. 4 is a rear elevational view thereof;
 FIG. 5 is a top plan view thereof.



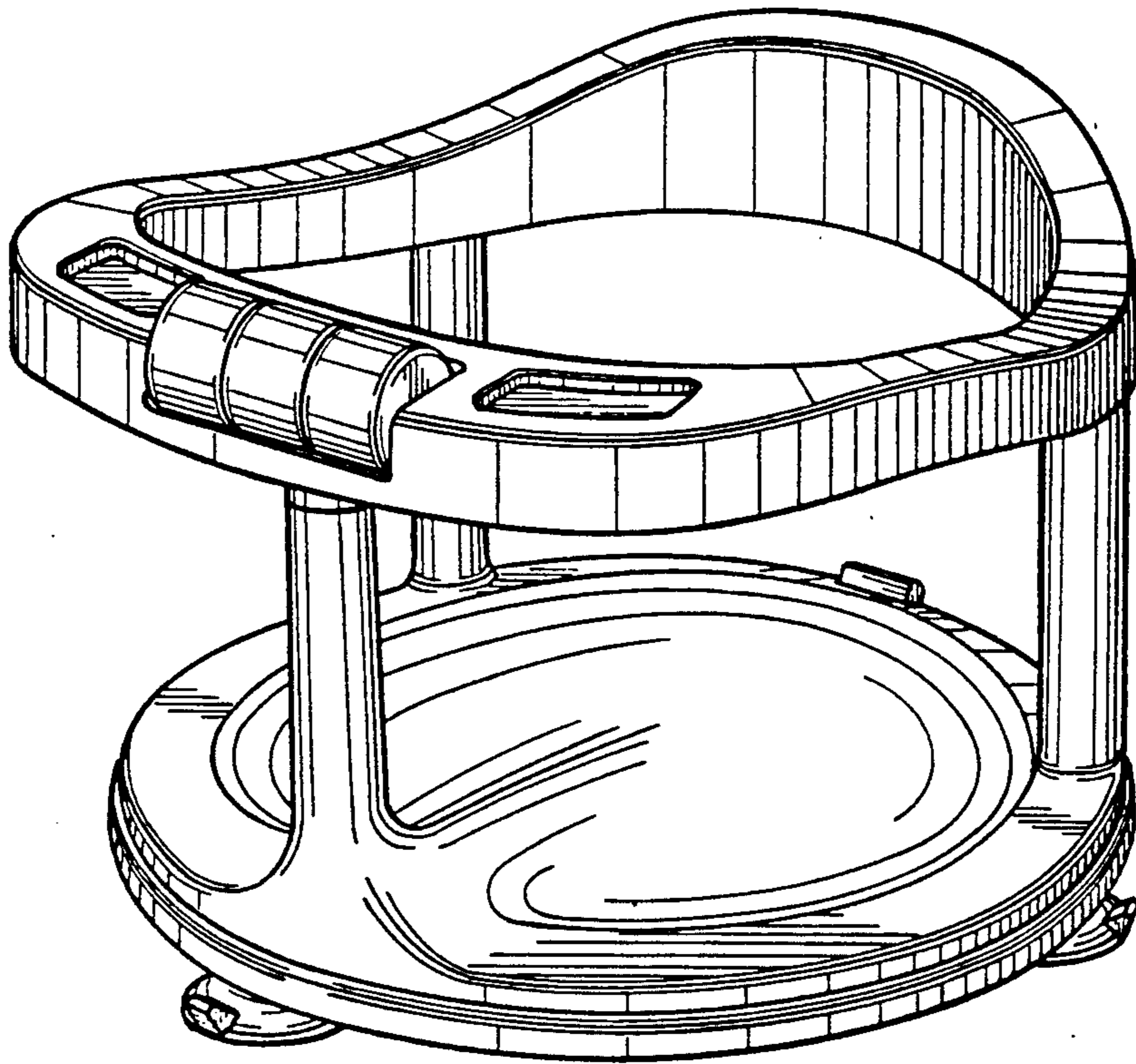


Fig. 1

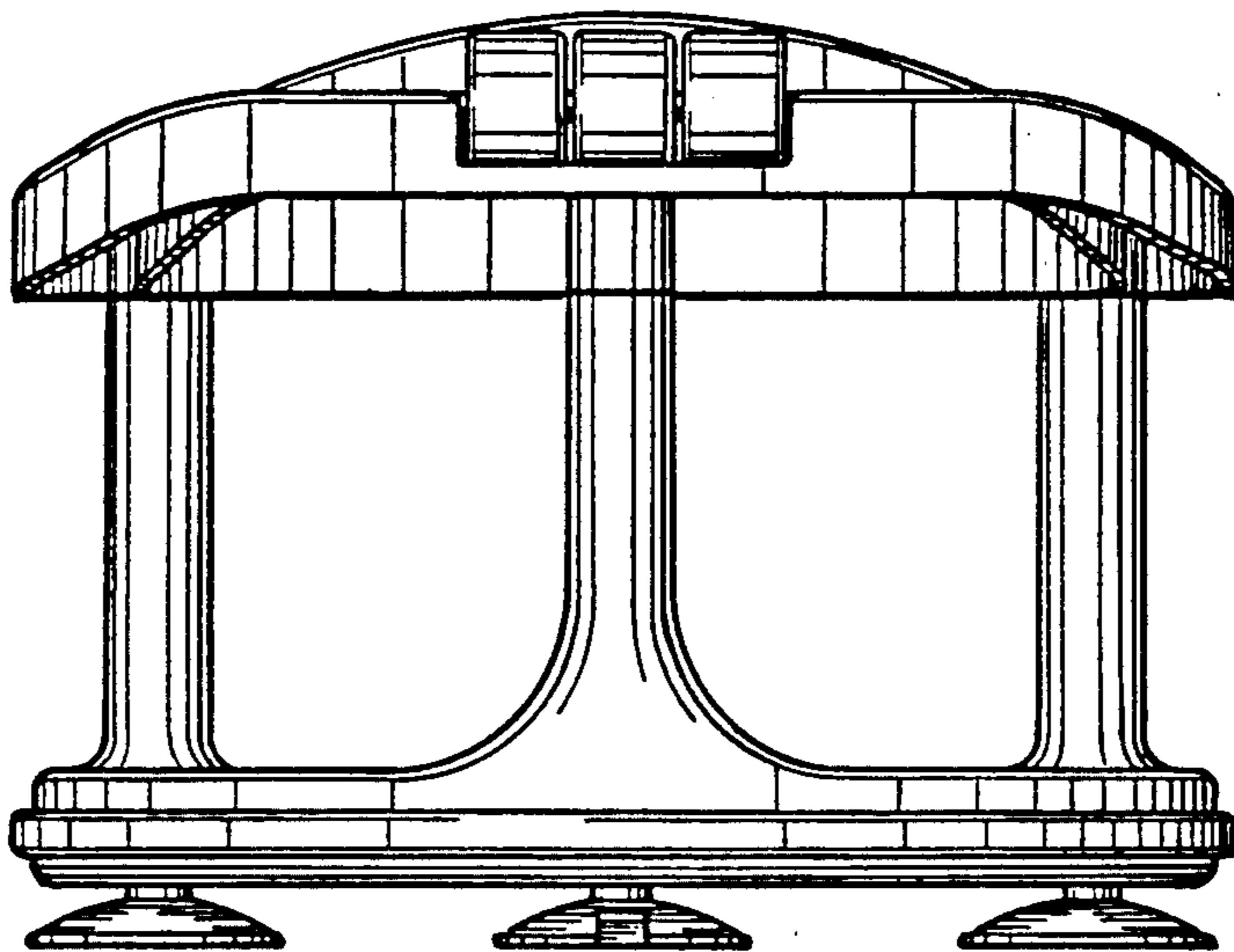


Fig. 2

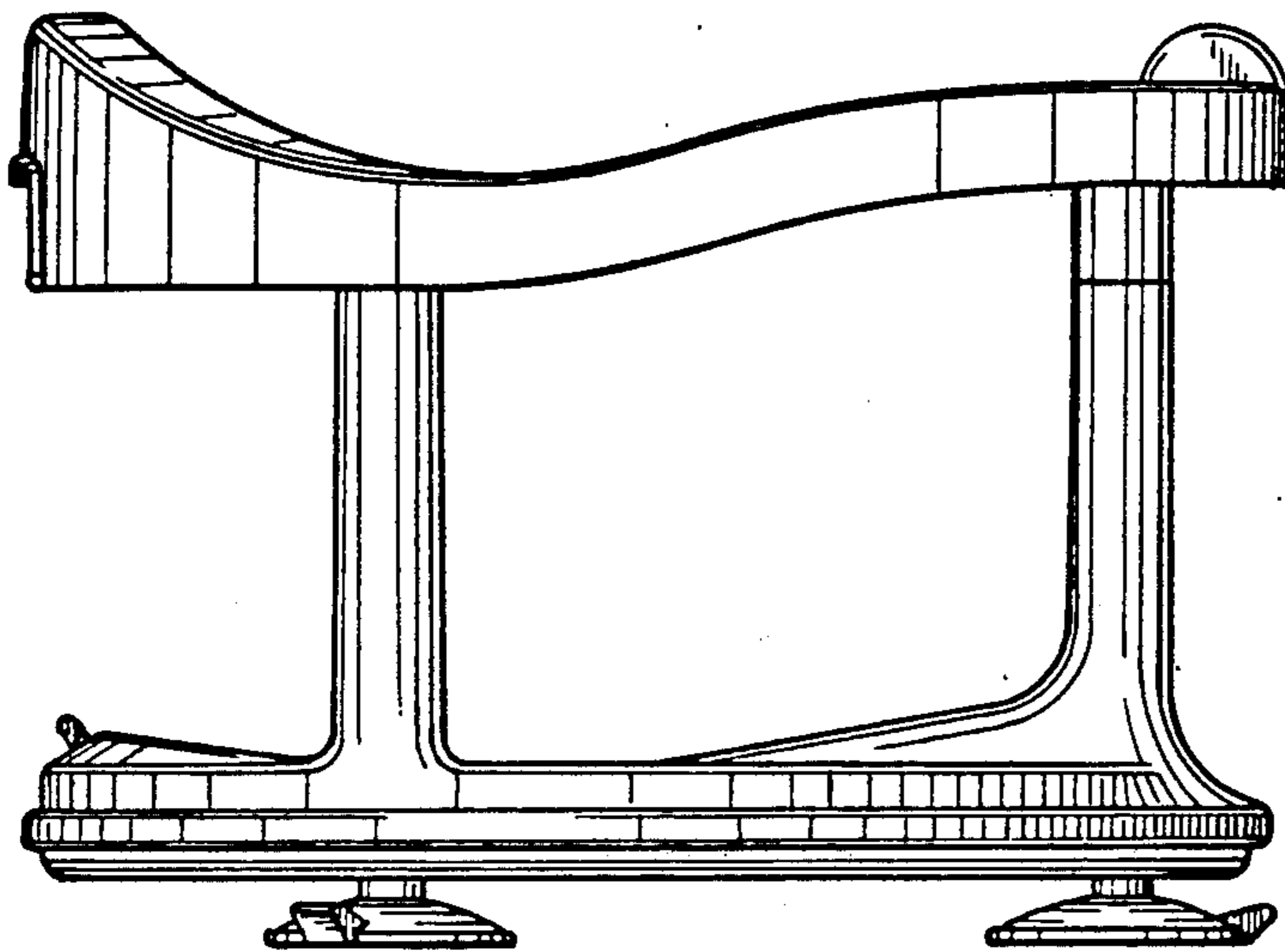


Fig. 3

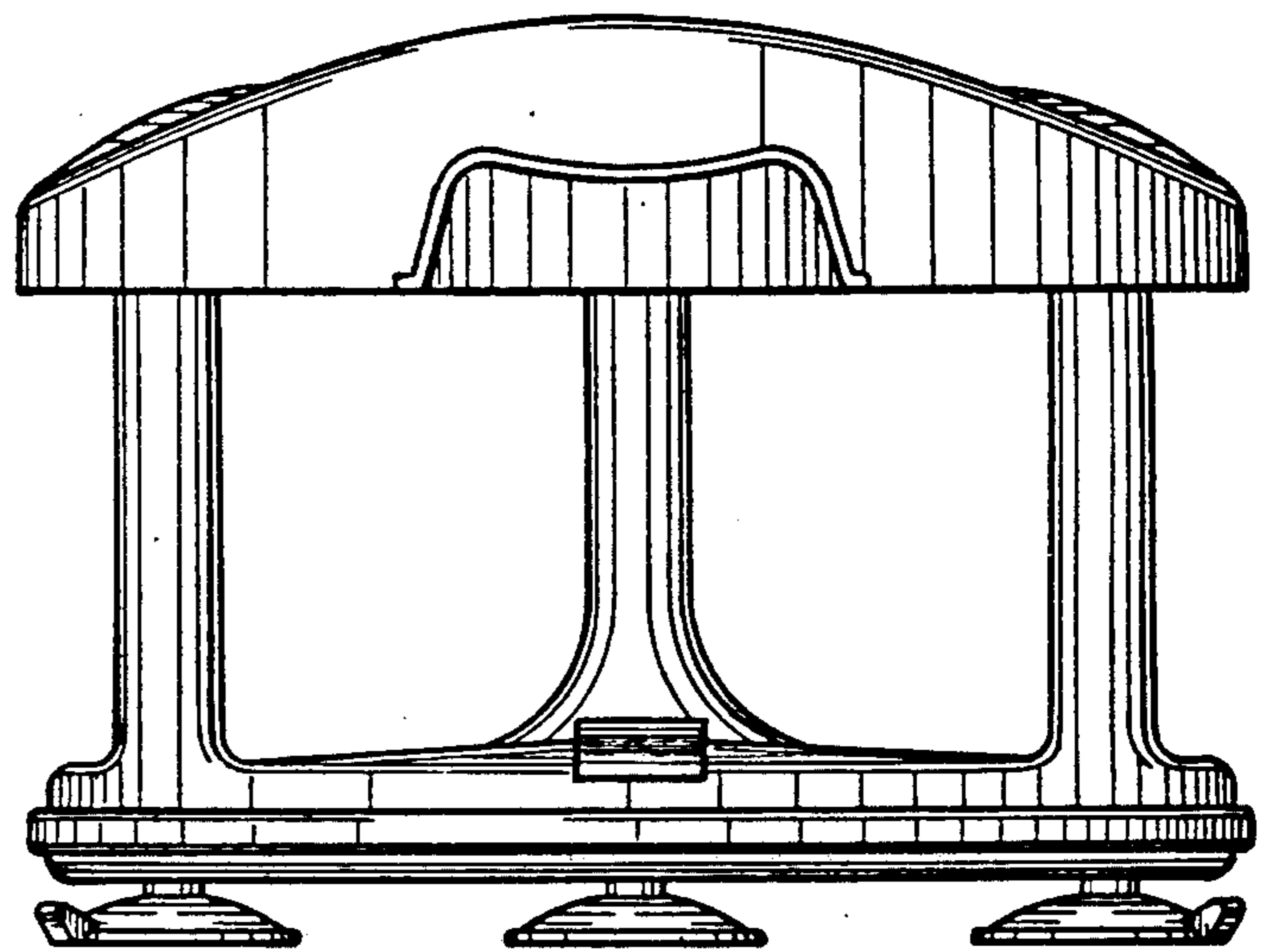


Fig. 4

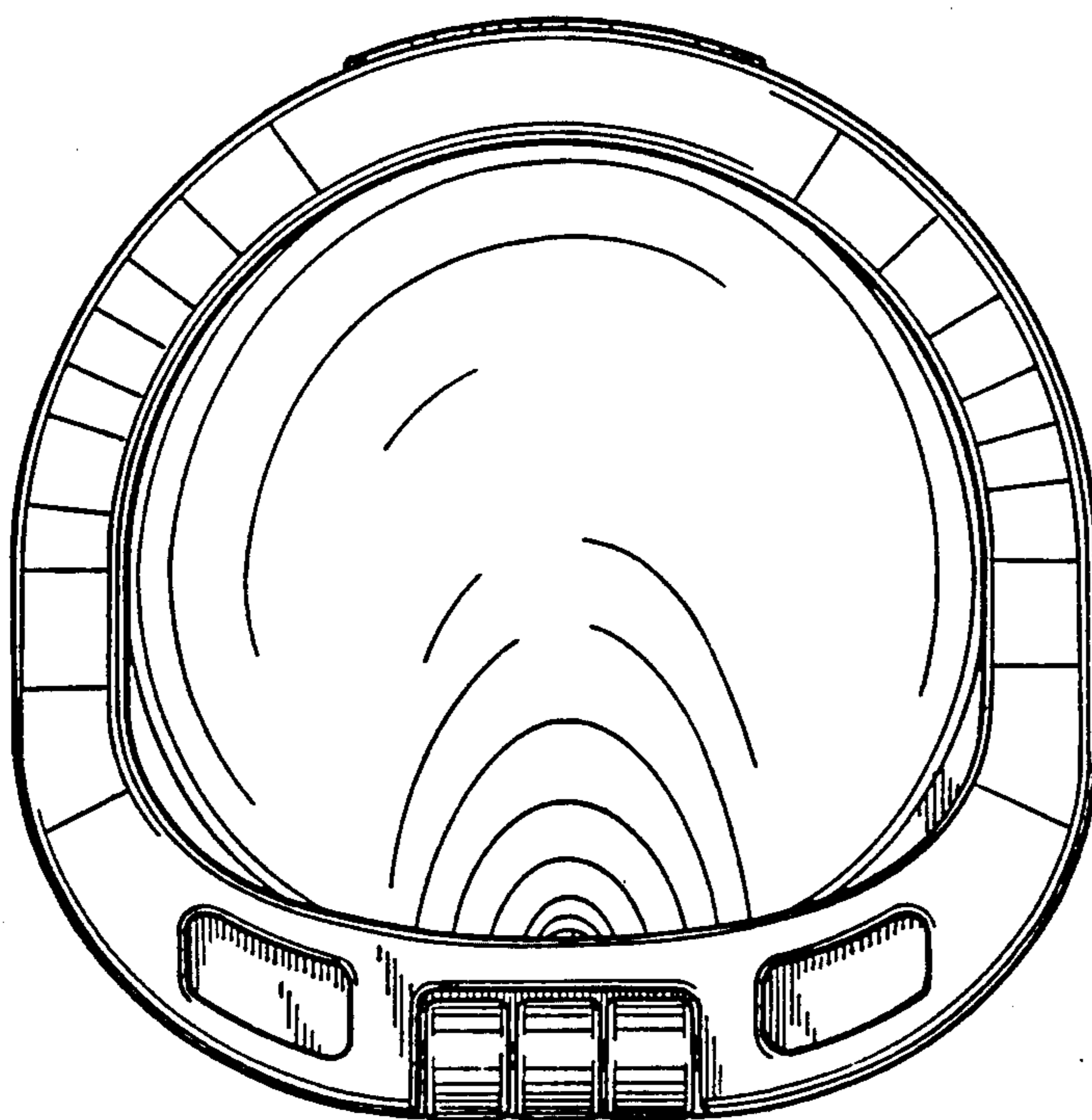


Fig. 5