

[54] COMBINED LEG AND ARMREST UNIT FOR A CHAIR

[76] Inventor: Warren H. Snodgrass, 223 Woodland Rd., Kentfield, Calif. 94904

[**] Term: 14 Years

[21] Appl. No.: 131,540

[22] Filed: Dec. 1, 1987

Related U.S. Application Data

[62] Division of Ser. No. 75,309, Jul. 20, 1987, Pat. No. Des. 308,305.

[52] U.S. Cl. D6/501; D6/379

[58] Field of Search D6/334, 370, 379, 500, D6/501, 502

References Cited

U.S. PATENT DOCUMENTS

- D. 289,949 5/1987 Tron D6/380 X
- D. 296,395 6/1988 Polacsek D6/379
- D. 299,799 2/1989 Muller-Deisig et al. D6/500
- D. 305,388 1/1990 Mascheroni D6/372

OTHER PUBLICATIONS

Interiors, 1/1986, p. 55, Chair and Arm/Leg Member Designed by Sorensen, pictured far left and top right respectively.

Bloomington, p. 5, Chair, bottom left corner.

Primary Examiner—Bruce W. Dunkins

Assistant Examiner—Gary D. Watson

Attorney, Agent, or Firm—Phillips, Moore, Lempio & Finley

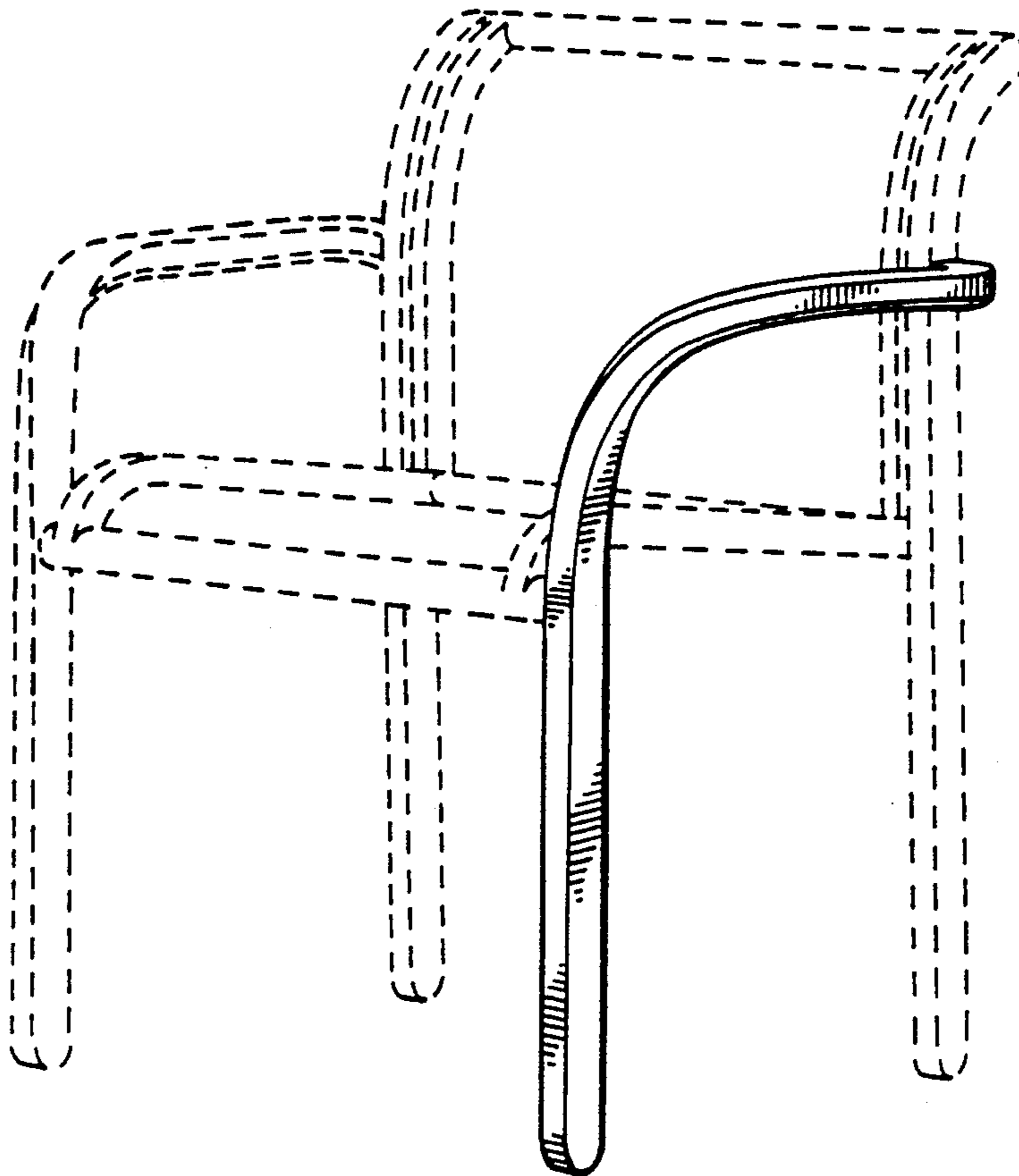
CLAIM

The ornamental design for combined leg and armrest unit for a chair, as shown and described.

DESCRIPTION

FIG. 1 is a frontside perspective view of a combined leg and armrest unit for a chair showing my new design; FIG. 2 is a backside perspective view thereof; FIG. 3 is a side elevational view thereof; FIG. 4 is a front elevational view thereof; and FIG. 5 is a top plan view thereof.

The undisclosed portion of the inner face of the leg is conventionally smooth, uninterrupted and unadorned. The broken lines illustrated in the drawings are not a part of the design sought to be patented.



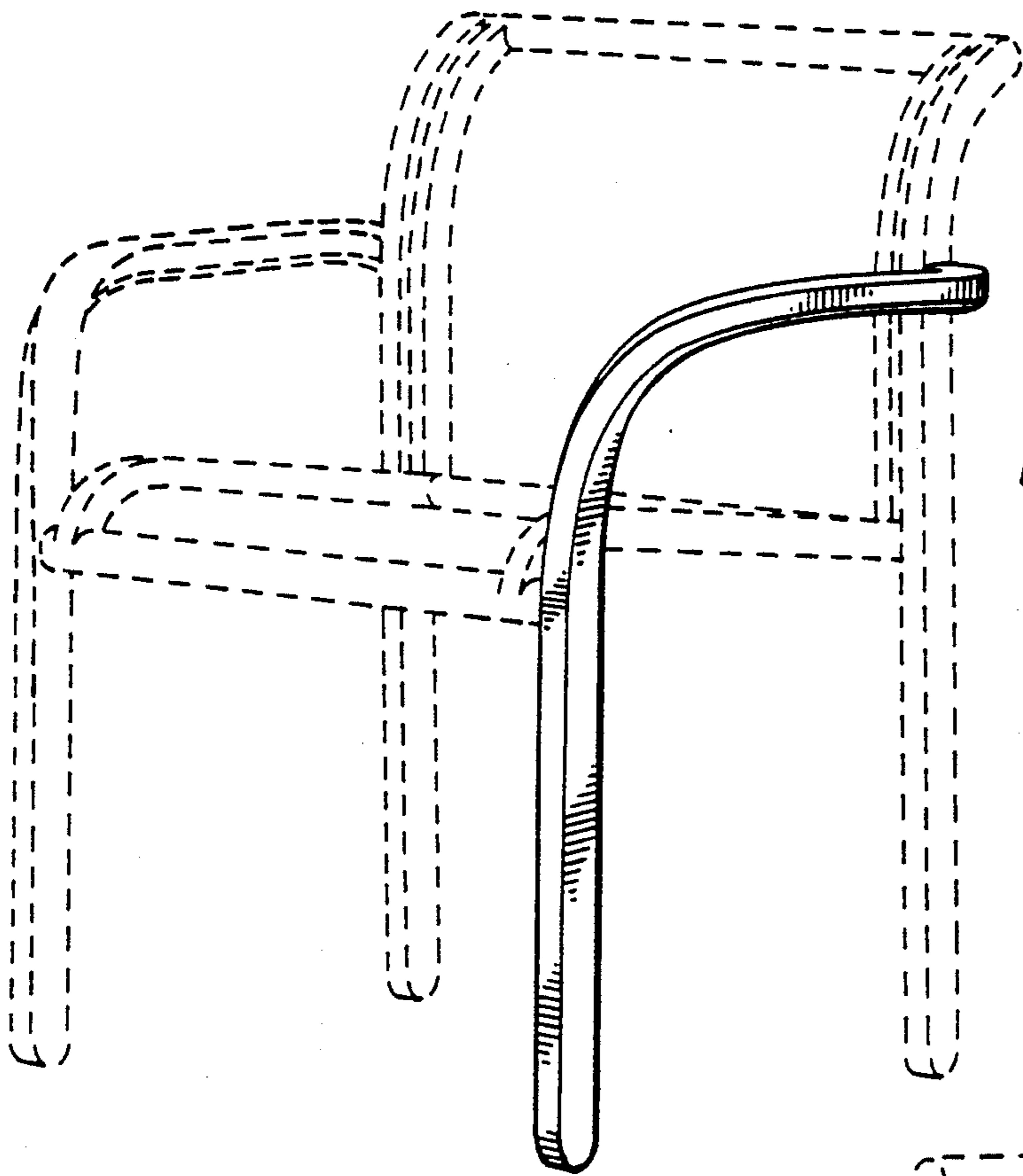


FIGURE 1

FIGURE 2

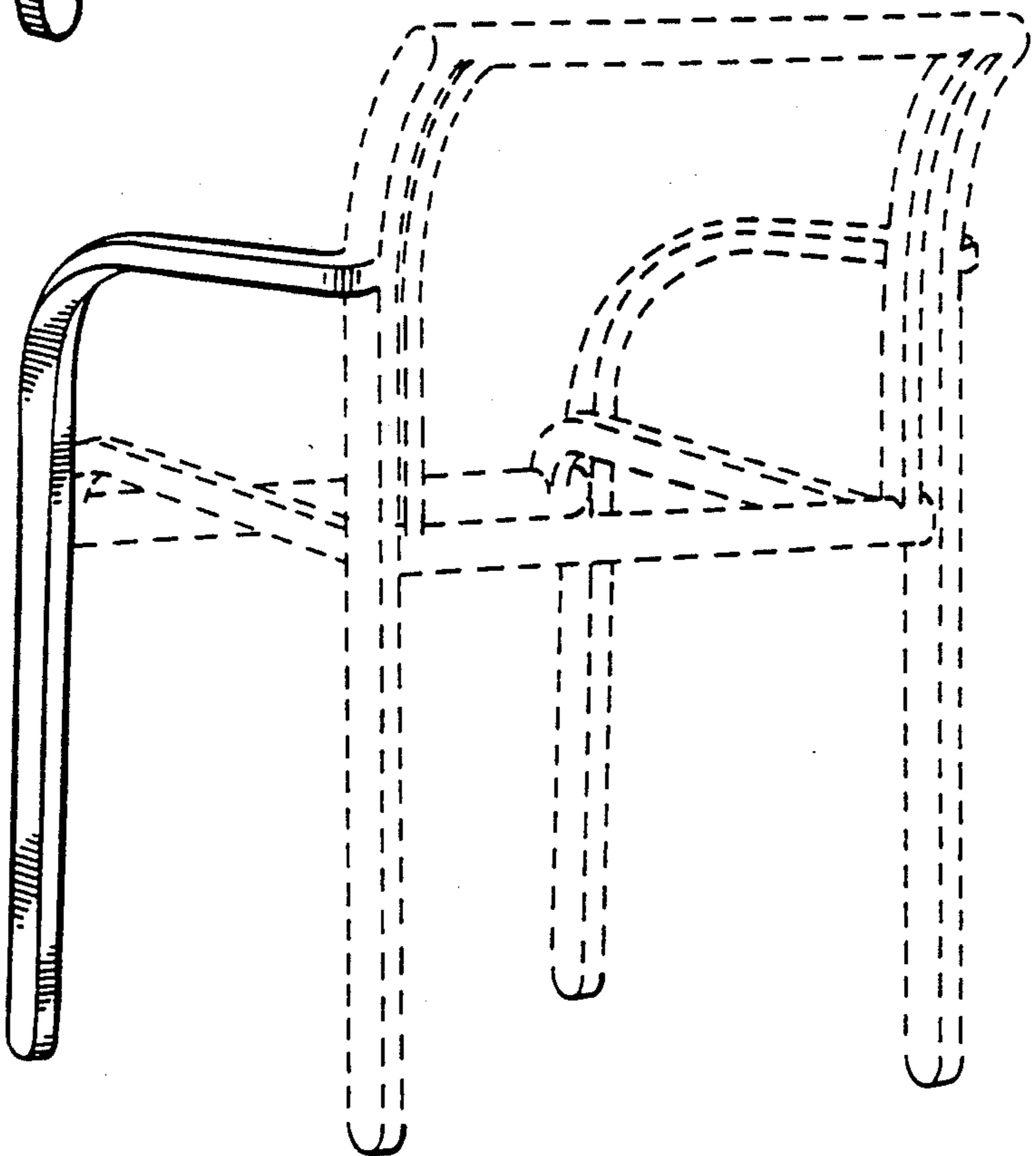


FIGURE 5

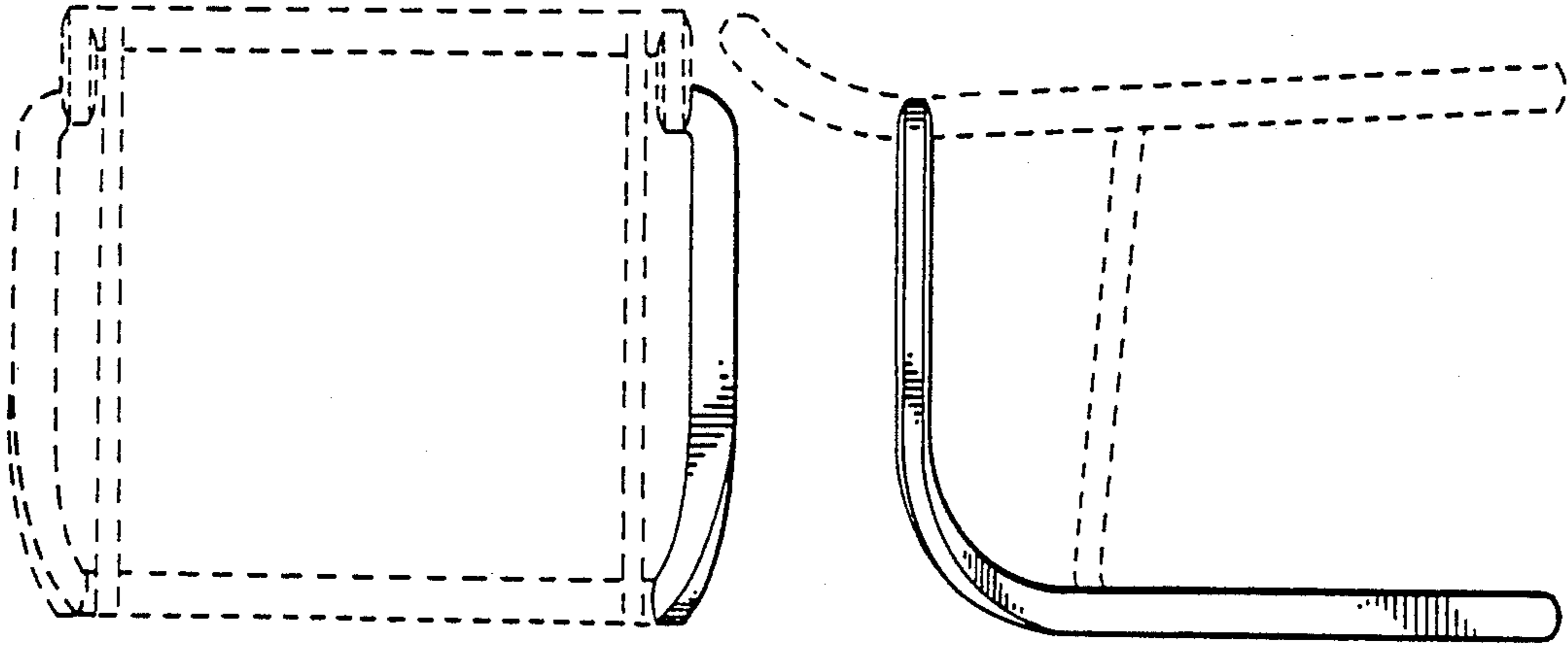


FIGURE 3

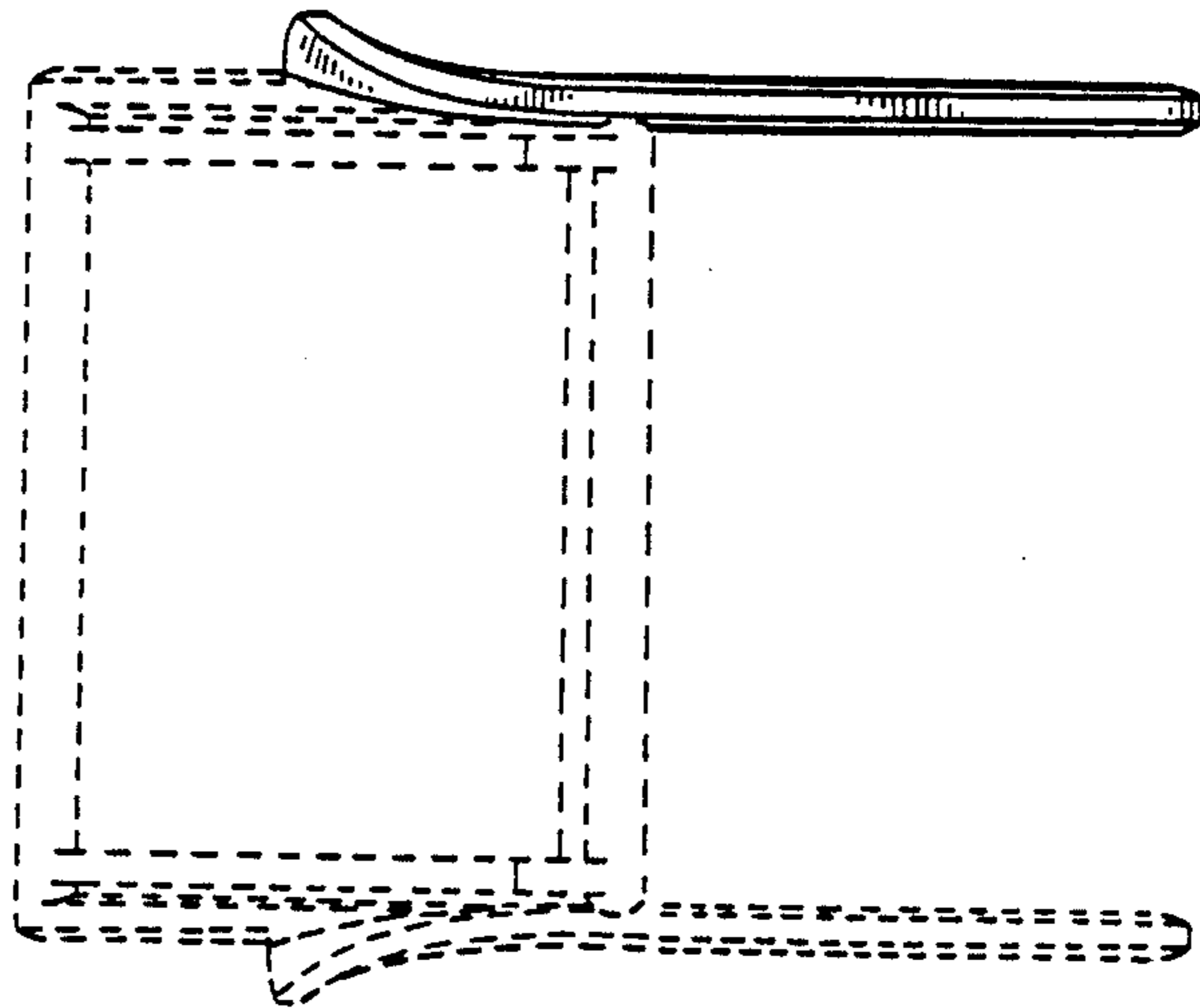


FIGURE 4