

[54] CABINET FOR AUDIO/VIDEO CASSETTE TAPES AND COMPACT DISCS

[76] Inventor: Richard D. Smith, 1942 W. Artesia Blvd., Torrance, Calif. 90504

[**] Term: 14 Years

[21] Appl. No.: 511,016

[22] Filed: Apr. 19, 1990

[52] U.S. Cl. D6/407

[58] Field of Search D6/407, 445, 446, 448; D3/35; 206/387; 312/42; 211/40-42

[56] References Cited

U.S. PATENT DOCUMENTS

- D. 287,554 1/1987 Radtke D6/446
- D. 287,676 1/1987 Christen D6/446
- D. 287,907 1/1987 Yu D3/35
- D. 291,633 9/1987 Merzon D6/446
- D. 296,166 6/1988 Hills D6/446

OTHER PUBLICATIONS

Best 1989/90 Catalog, p. 233; Items #19 and 20, WTM--Drawer Cabinets, bottom left.

Primary Examiner—Carmen H. Vales-Lado
Attorney, Agent, or Firm—Irell & Manella

[57] CLAIM

The ornamental design for a cabinet for audio/video cassette tapes and compact discs, as shown.

DESCRIPTION

FIG. 1 is a perspective view of a cabinet for audio/video cassette tape and compact discs showing my new design;

FIG. 2 is a left side elevational view thereof;

FIG. 3 is a rear elevational view thereof;

FIG. 4 is a bottom plan view thereof;

FIG. 5 is a front perspective view of a second embodiment of the cabinet for audio/video cassette tapes and compact discs shown in FIG. 1;

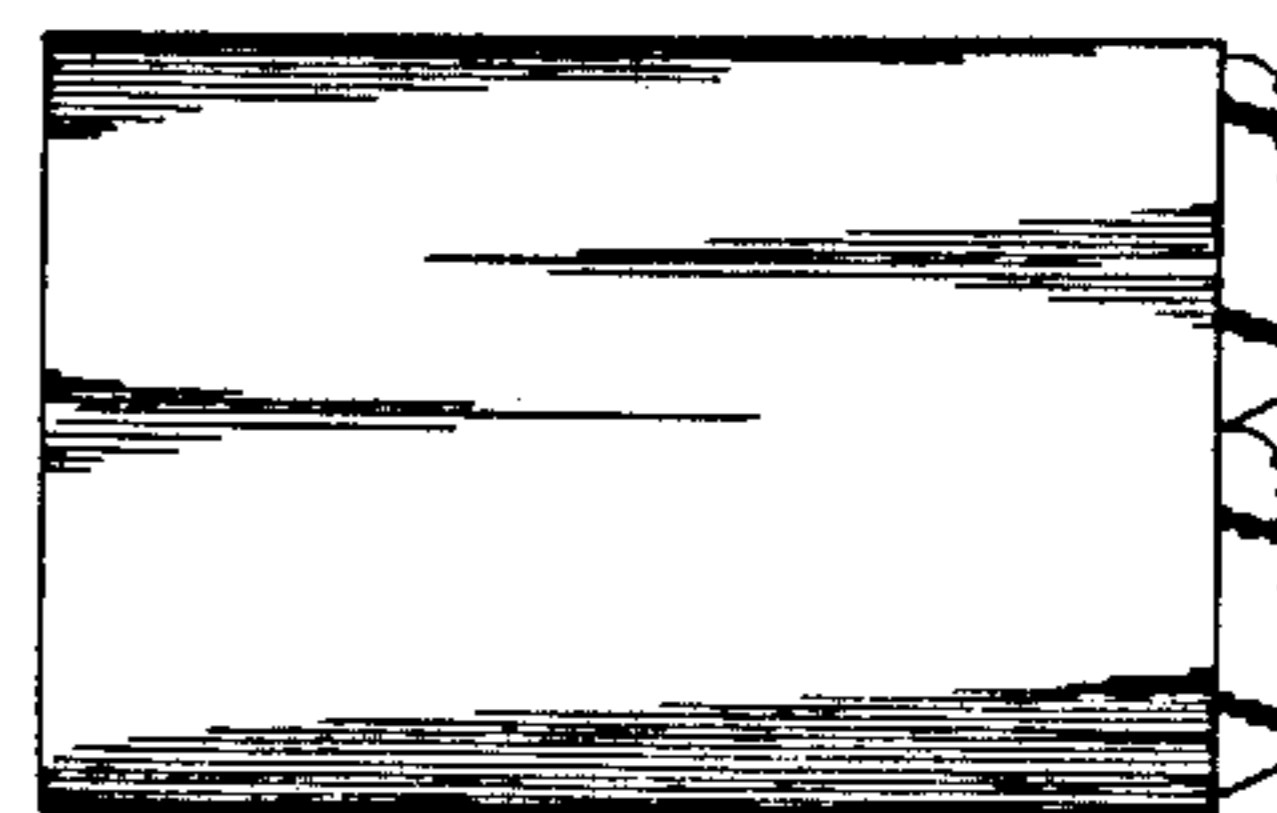
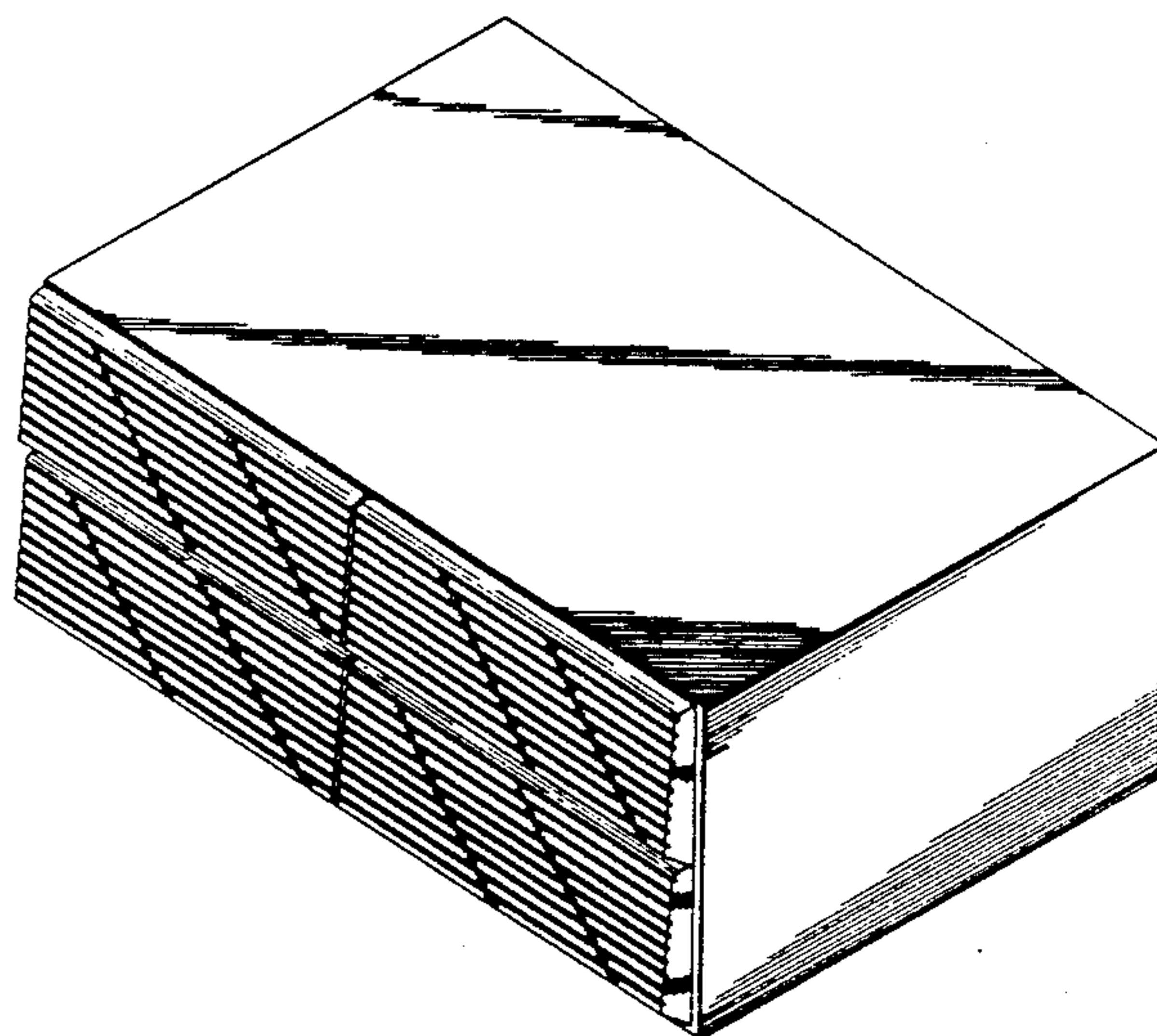
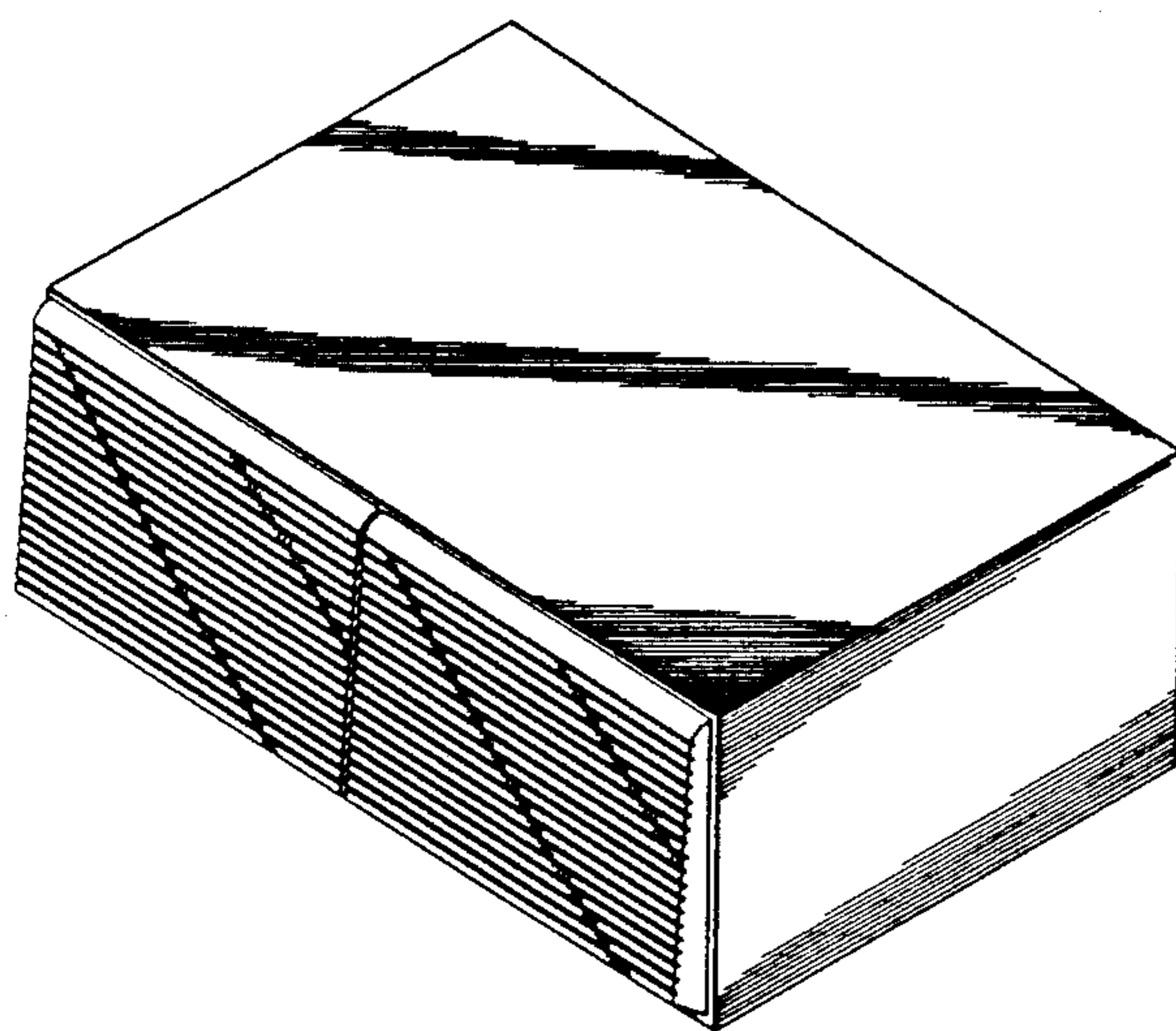
FIG. 6 is a left side elevational view thereof;

FIG. 7 is a rear elevational view thereof;

FIG. 8 is a perspective view of a third embodiment of the cabinet for audio/video cassette tapes and compact discs shown in FIG. 1;

FIG. 9 is a left side elevational view thereof; and

FIG. 10 is a rear elevational view thereof.



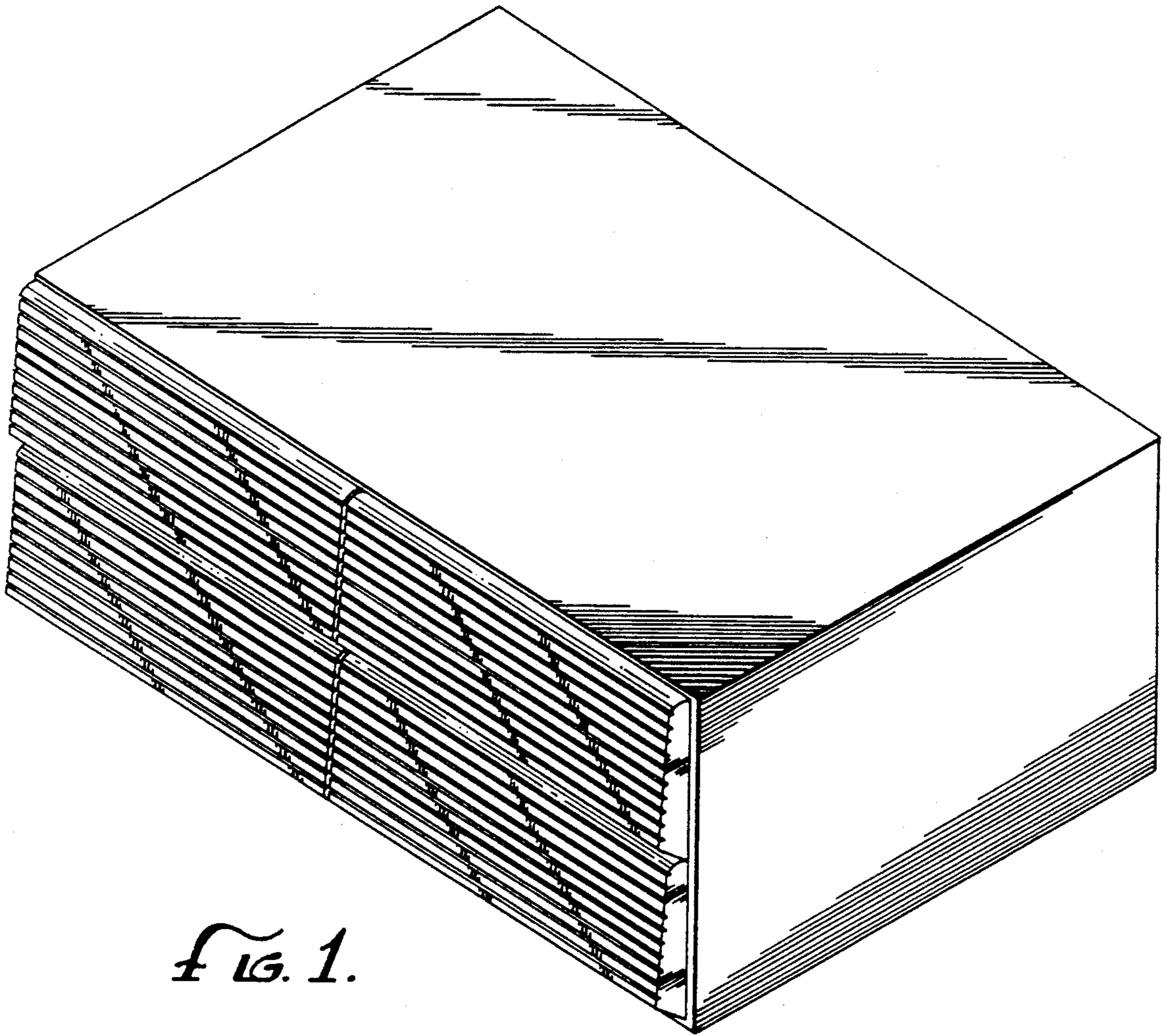


FIG. 1.

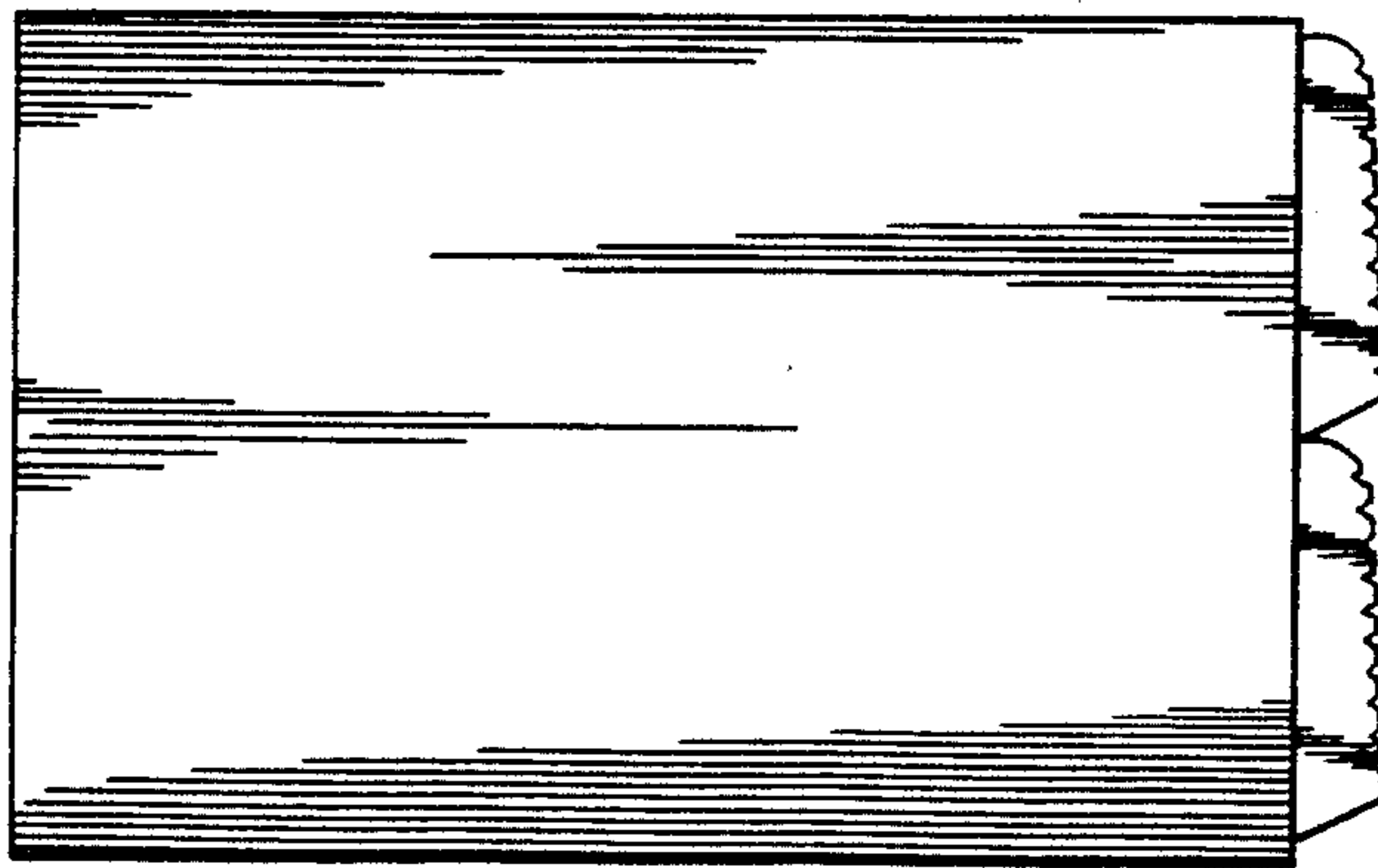


FIG. 2.

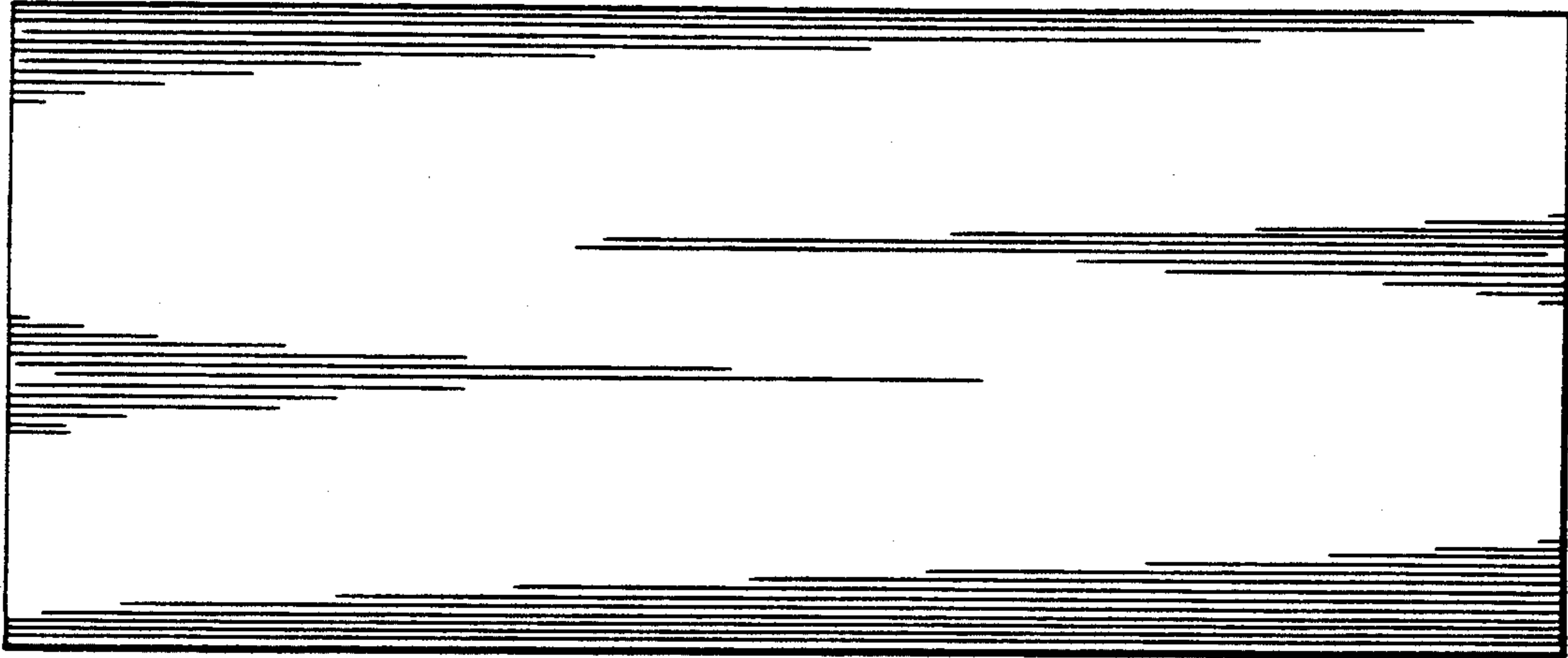


FIG. 3.

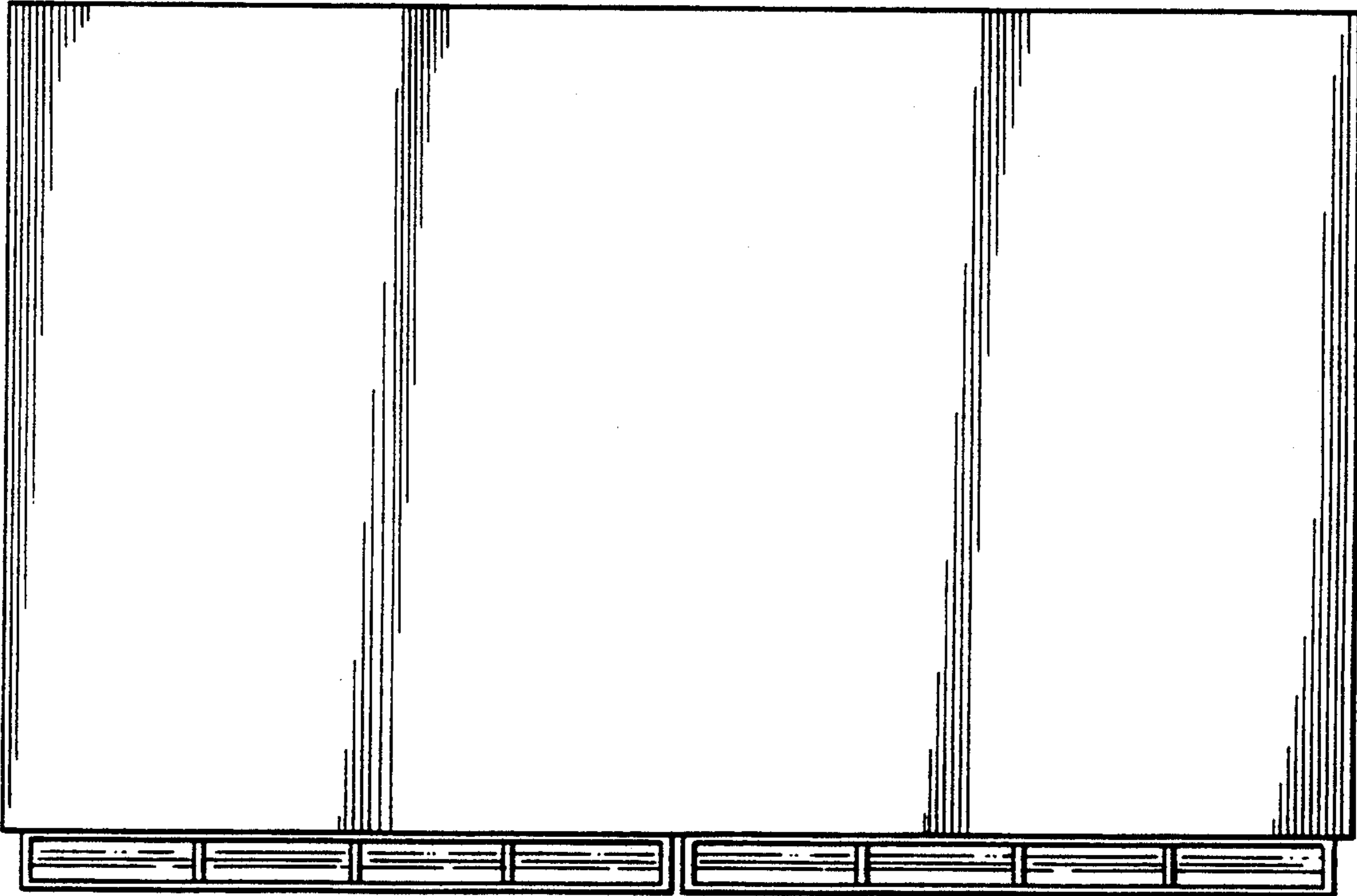


FIG. 4.

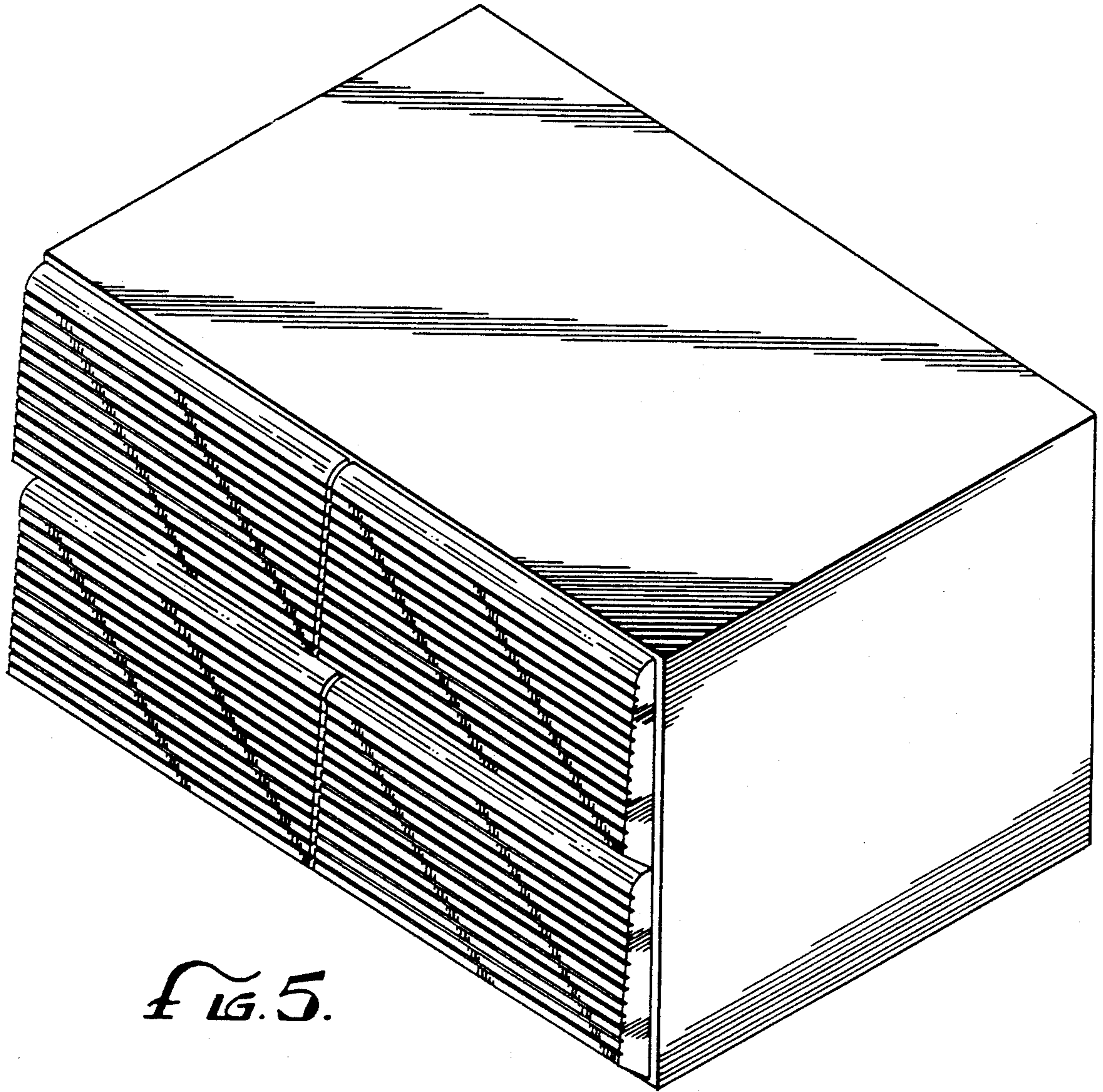


FIG. 5.

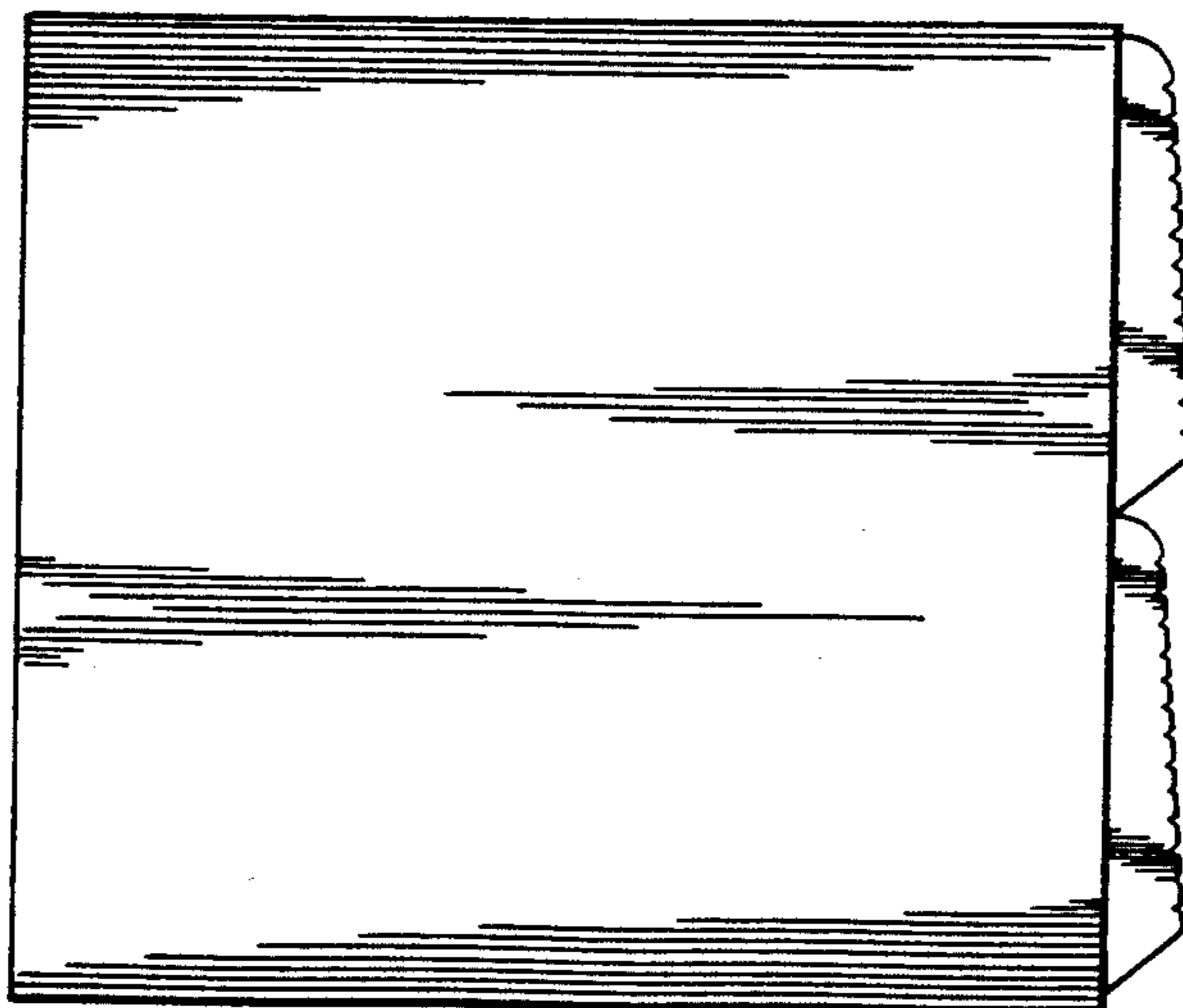


FIG. 6.

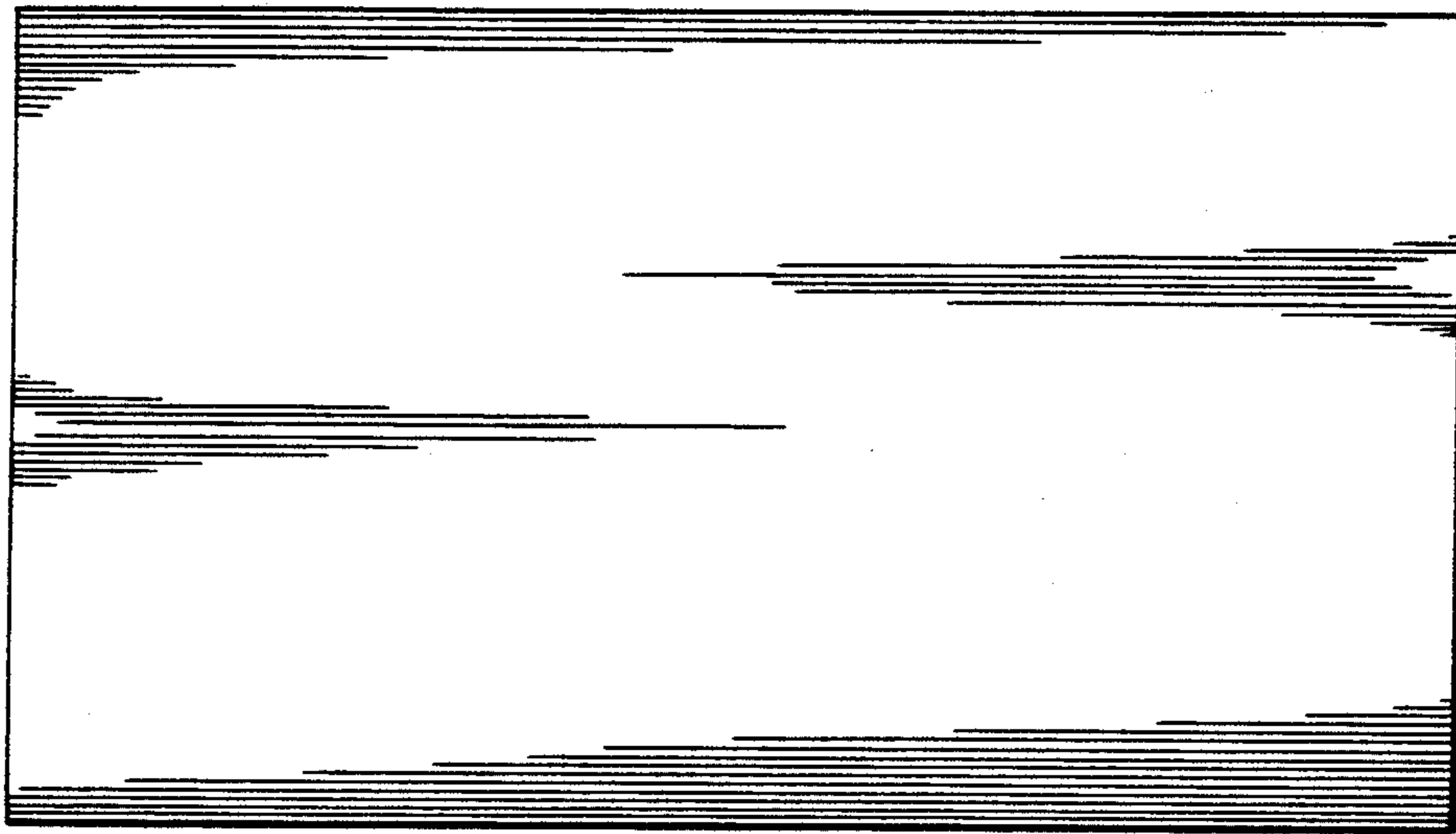


FIG. 7.

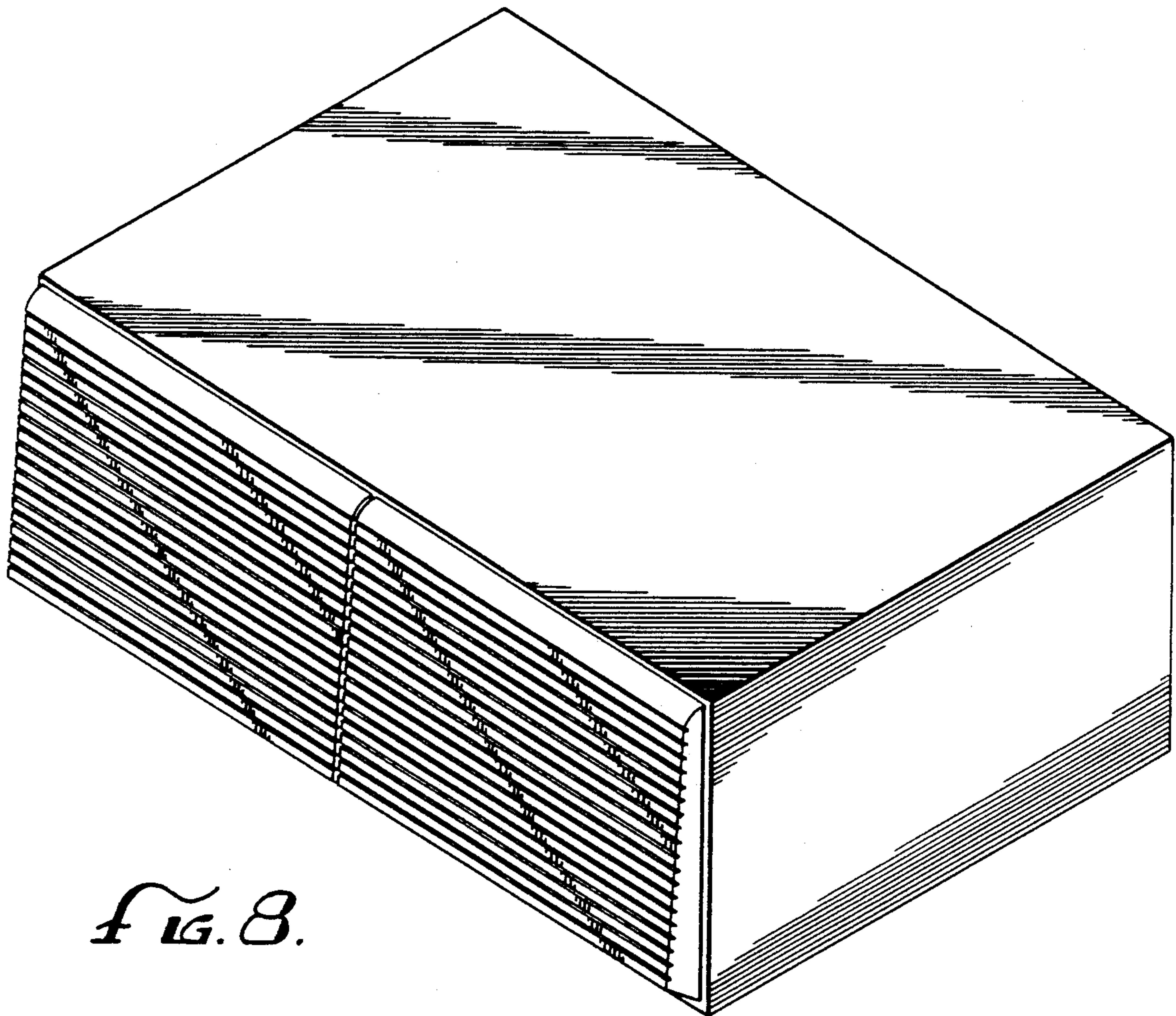


FIG. 8.

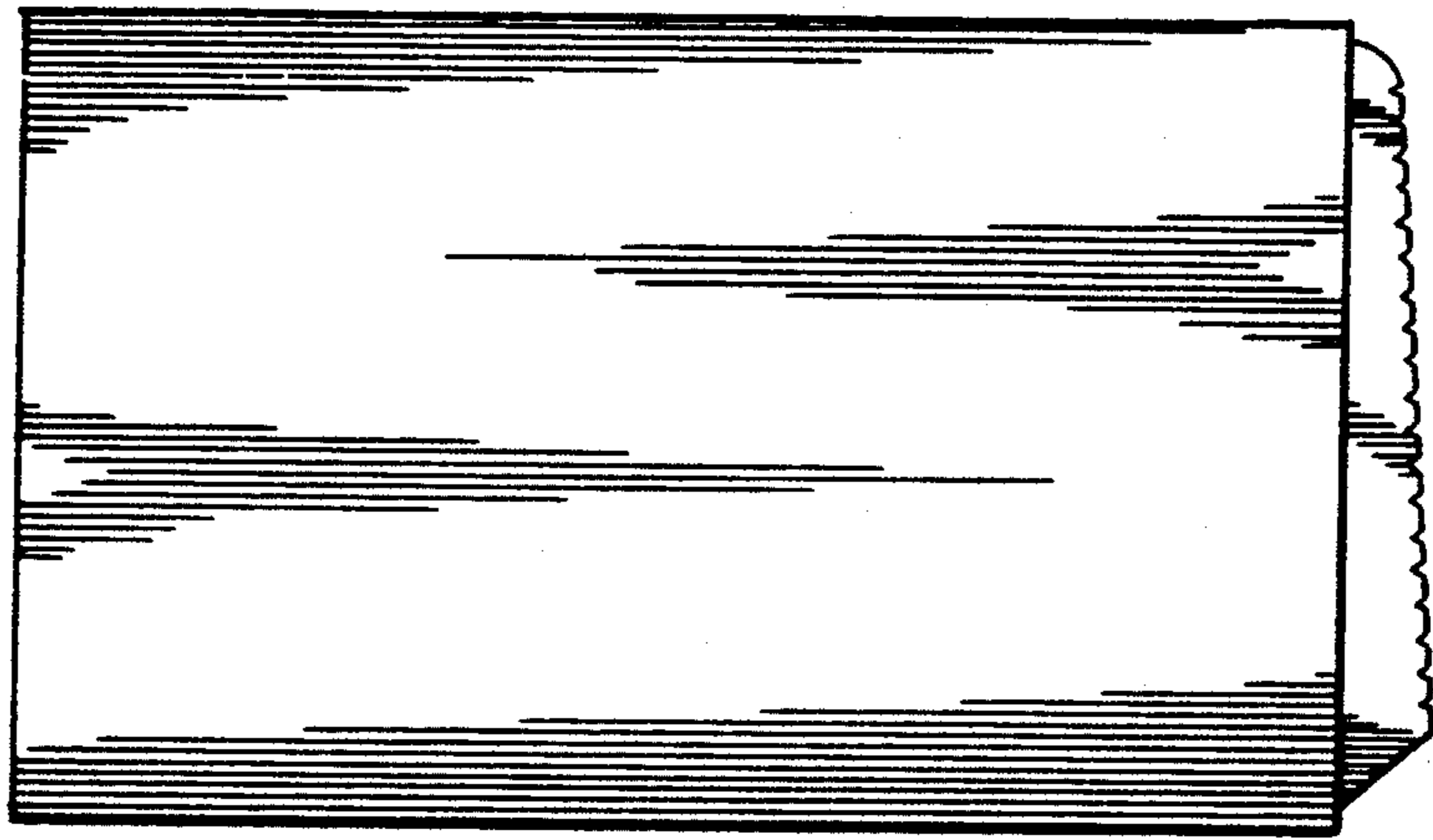


FIG. 9.

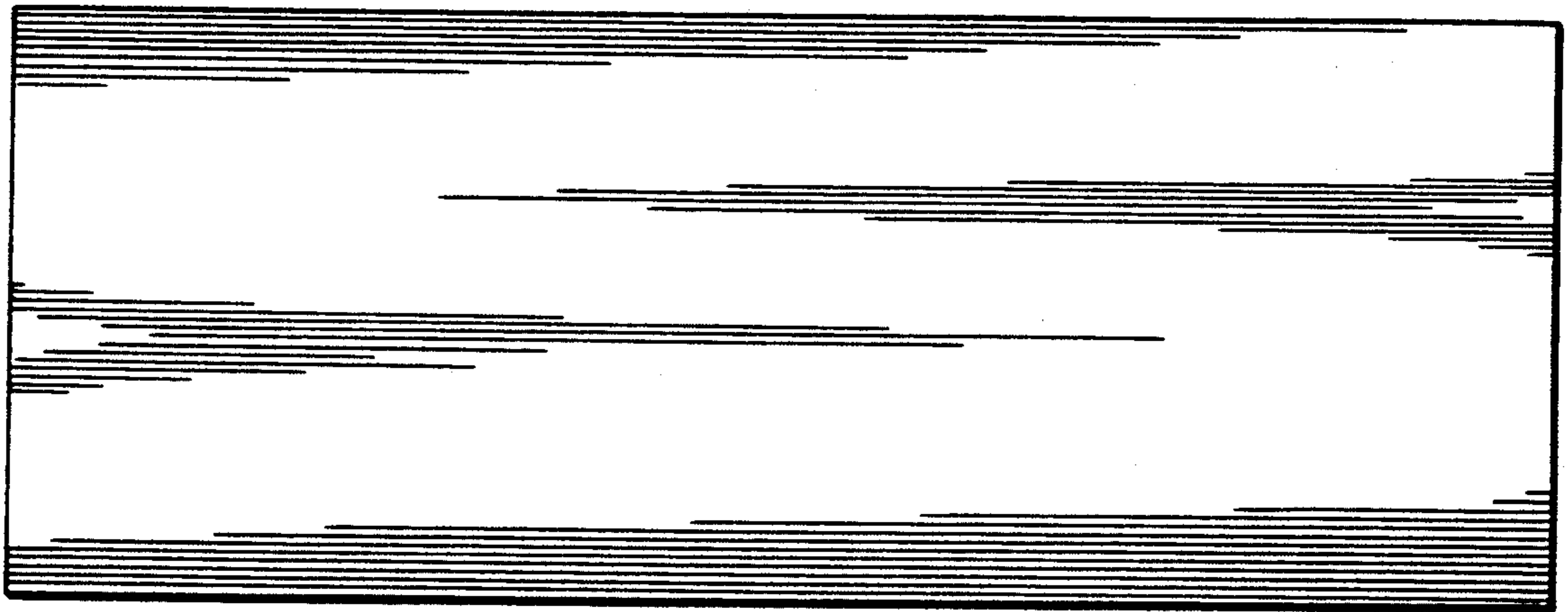


FIG. 10.