

[54] ADJUSTABLE RACK AND TABLE COMBINATION

[76] Inventor: Wm. David Atkins, 101B Parkside Pl., Rte. 1, Box 7149, Osage Beach, Mo. 65065

[**] Term: 14 Years

[21] Appl. No.: 167,454

[22] Filed: Mar. 14, 1988

[52] U.S. Cl. D6/397; D6/431

[58] Field of Search D6/397, 411-415, D6/429-431, 480-486; 211/134, 199, 177

[56] References Cited

U.S. PATENT DOCUMENTS

D. 125,639	3/1941	Larson .	
D. 197,072	12/1963	Mitchell	D6/429
D. 197,100	12/1963	Cohen .	
D. 209,839	1/1968	Tisdall et al.	D6/431
D. 211,838	7/1968	Gelles .	
D. 247,762	4/1978	Lenoir	D6/431
D. 249,618	9/1978	Oxenhandler	D6/431
2,249,142	7/1941	Kagel	211/134
3,204,779	9/1966	Warner	211/177

4,508,231 4/1985 Honickman 211/199

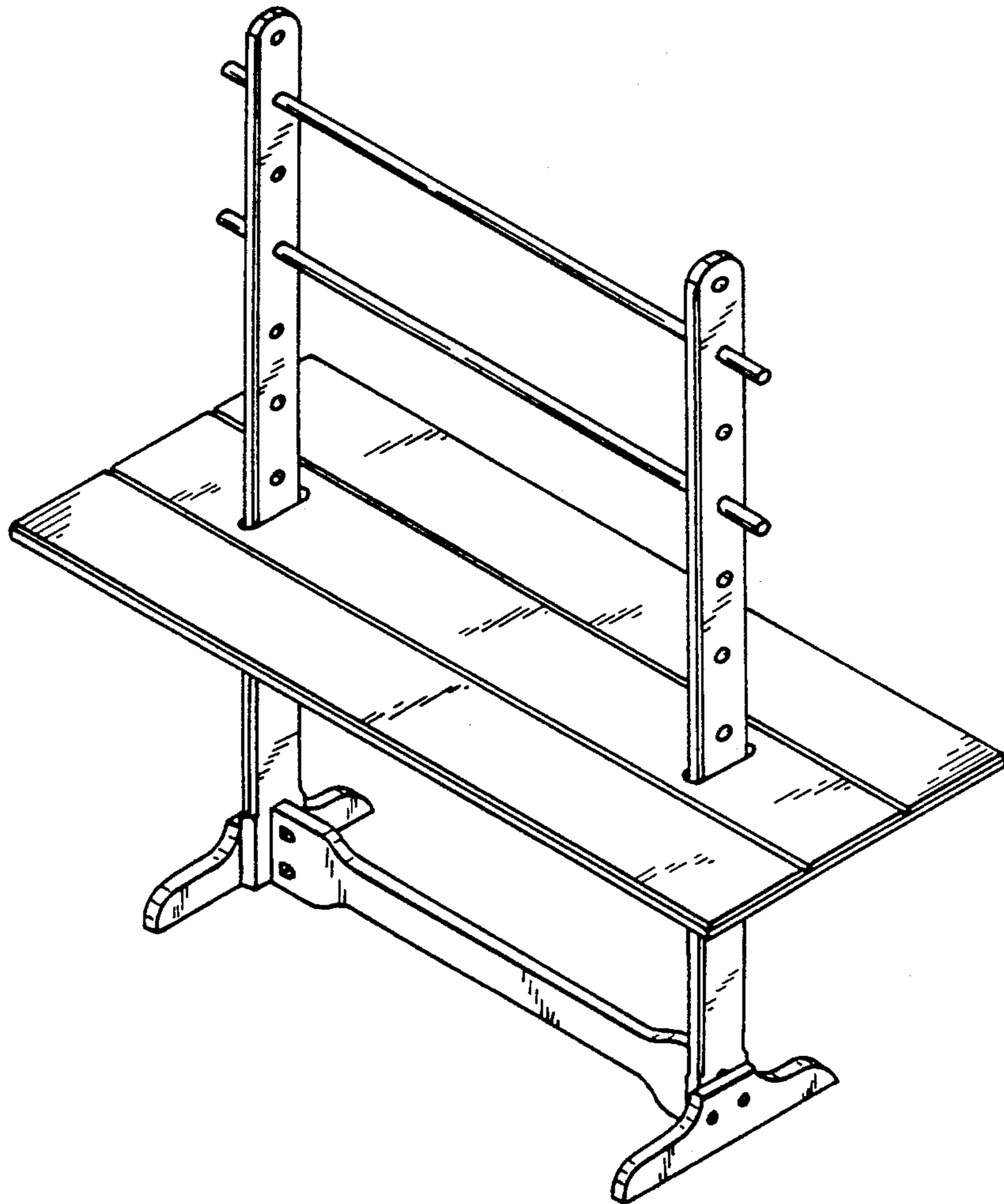
Primary Examiner—Carmen H. Vales-Lado
Attorney, Agent, or Firm—Senninger, Powers, Leavitt & Roedel

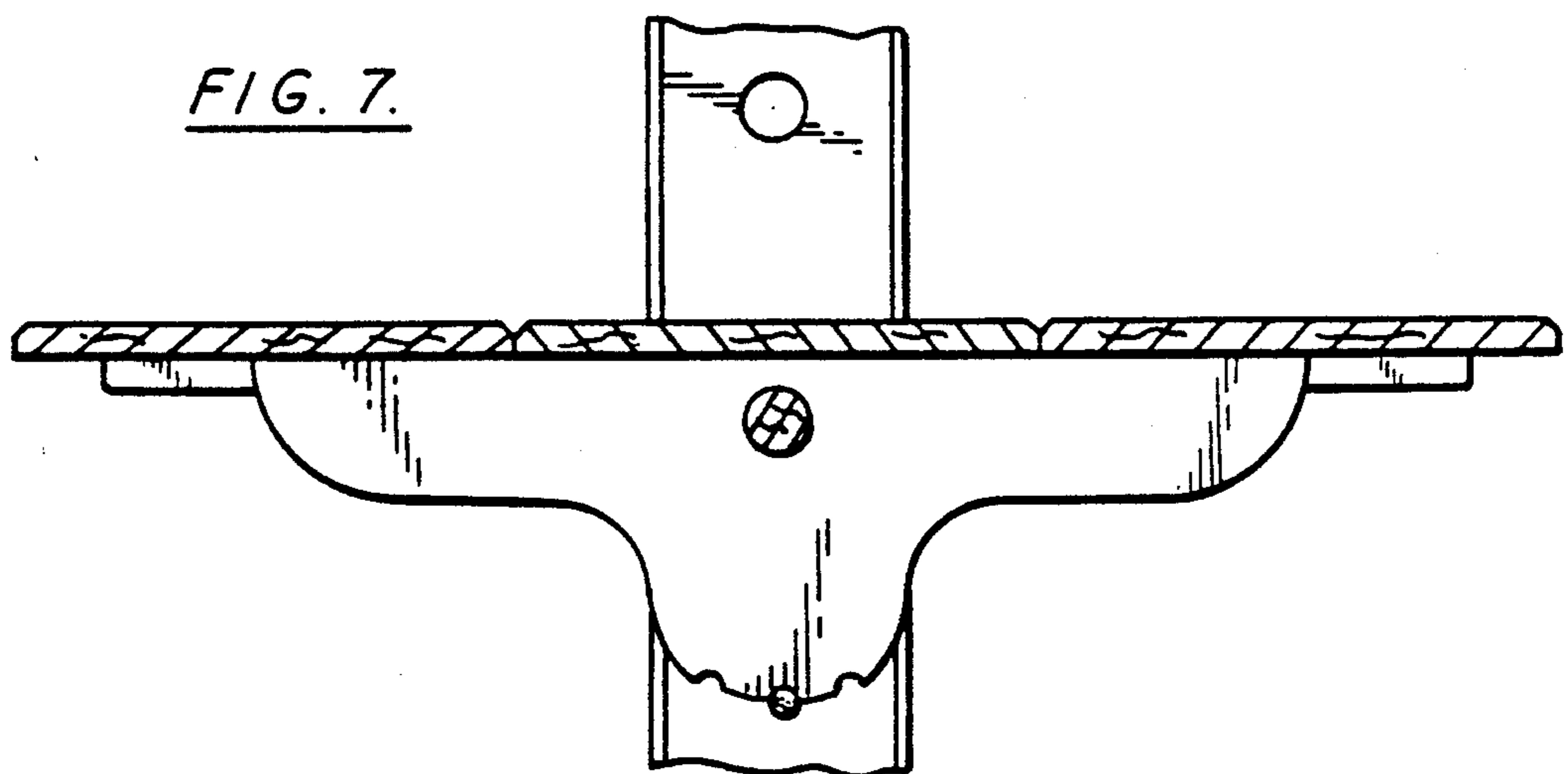
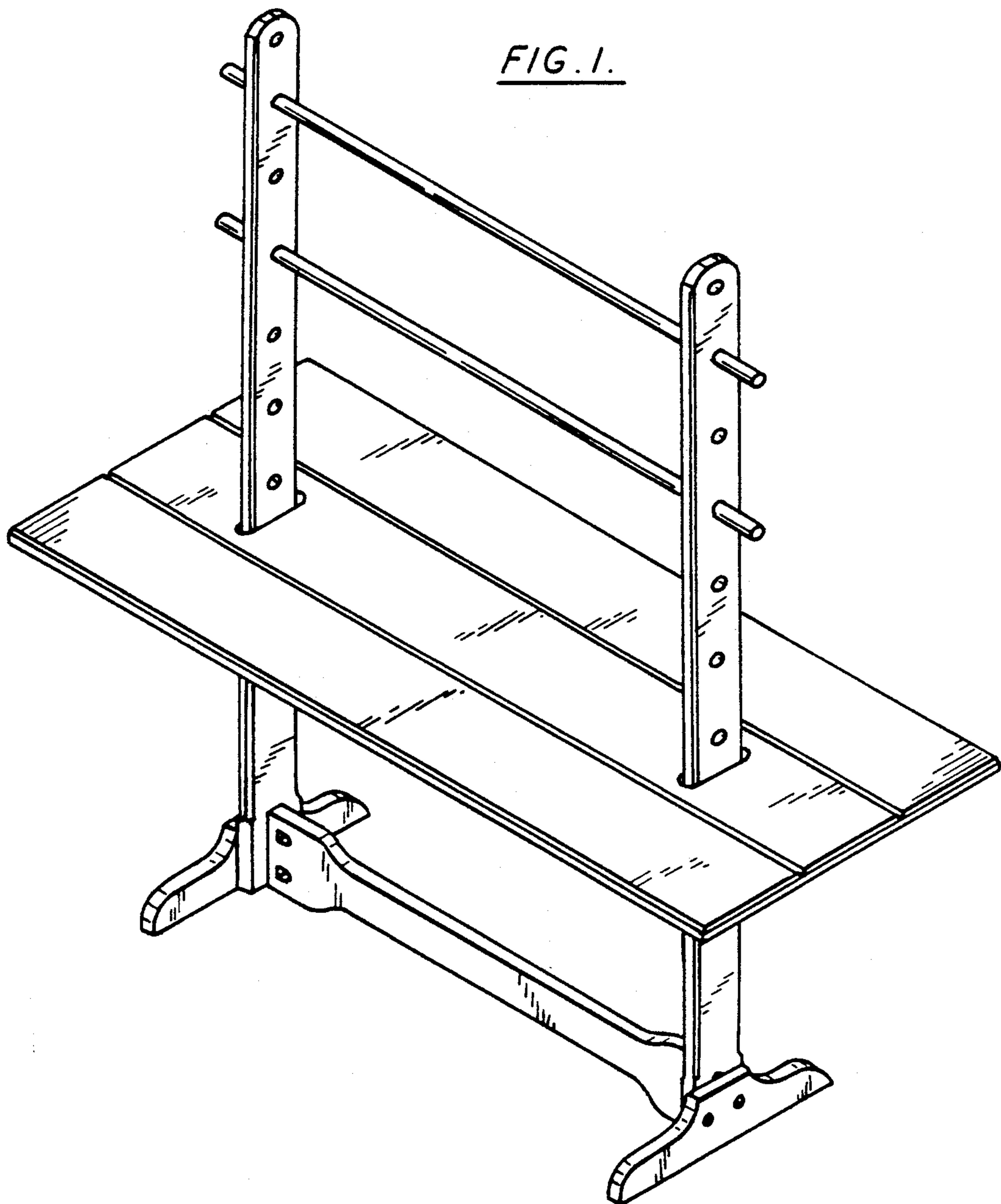
[57] CLAIM

The ornamental design for an adjustable rack and table combination, as shown and described.

DESCRIPTION

FIG. 1 is a perspective view of an adjustable rack and table combination showing my new design; FIG. 2 is a top plan view thereof; FIG. 3 is a front elevational view thereof; FIG. 4 is a side elevational view, the opposite side being identical thereto; FIG. 5 is a side elevational view with the table in a different position of use; FIG. 6 is a bottom plan view thereof; FIG. 7 is an enlarged fragmentary cross-sectional view taken along line 7—7 of FIG. 3; FIG. 8 is a perspective view of the rack, the table removed for convenience of illustration; FIG. 9 is a side elevational view thereof; and FIG. 10 is a bottom plan view thereof.





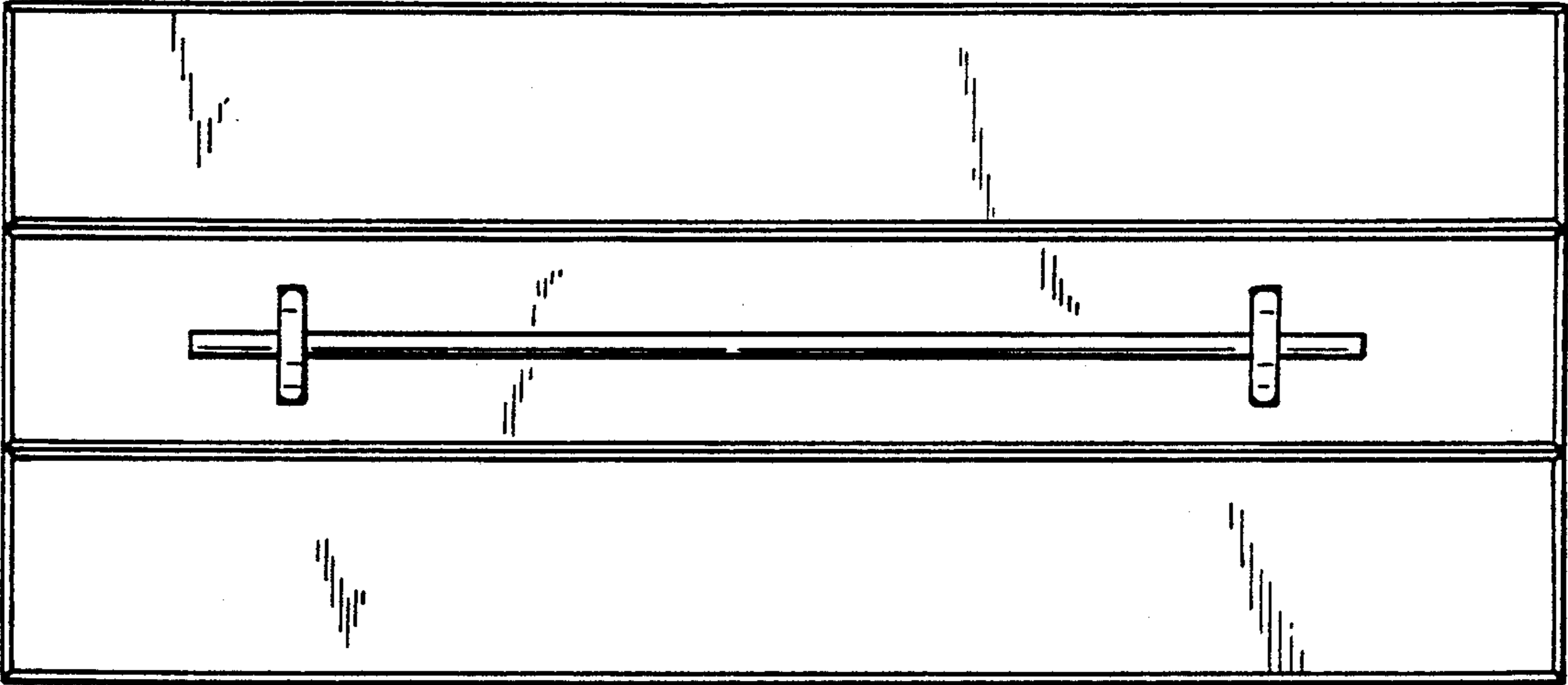


FIG. 2.

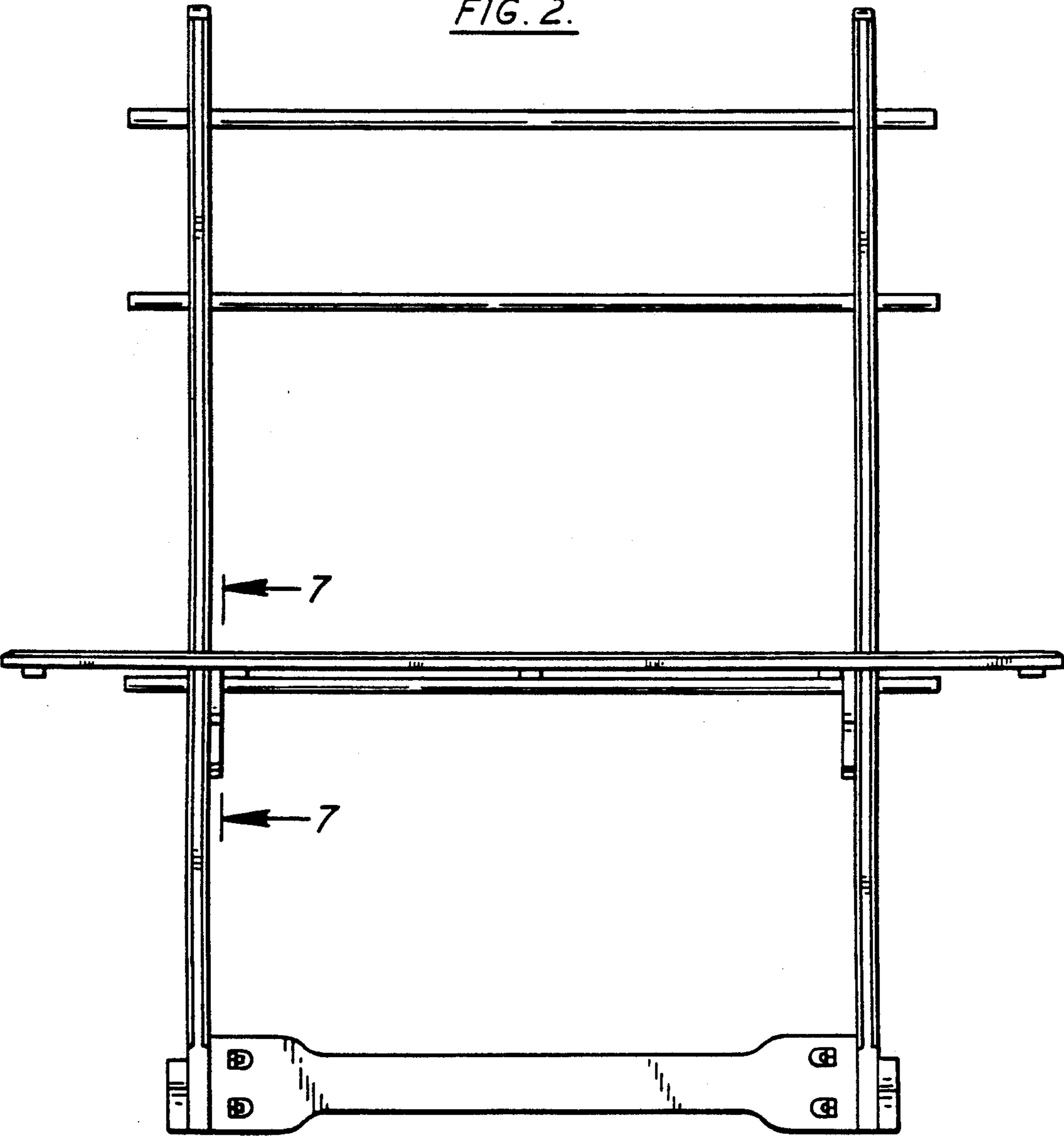


FIG. 3.

FIG. 4.

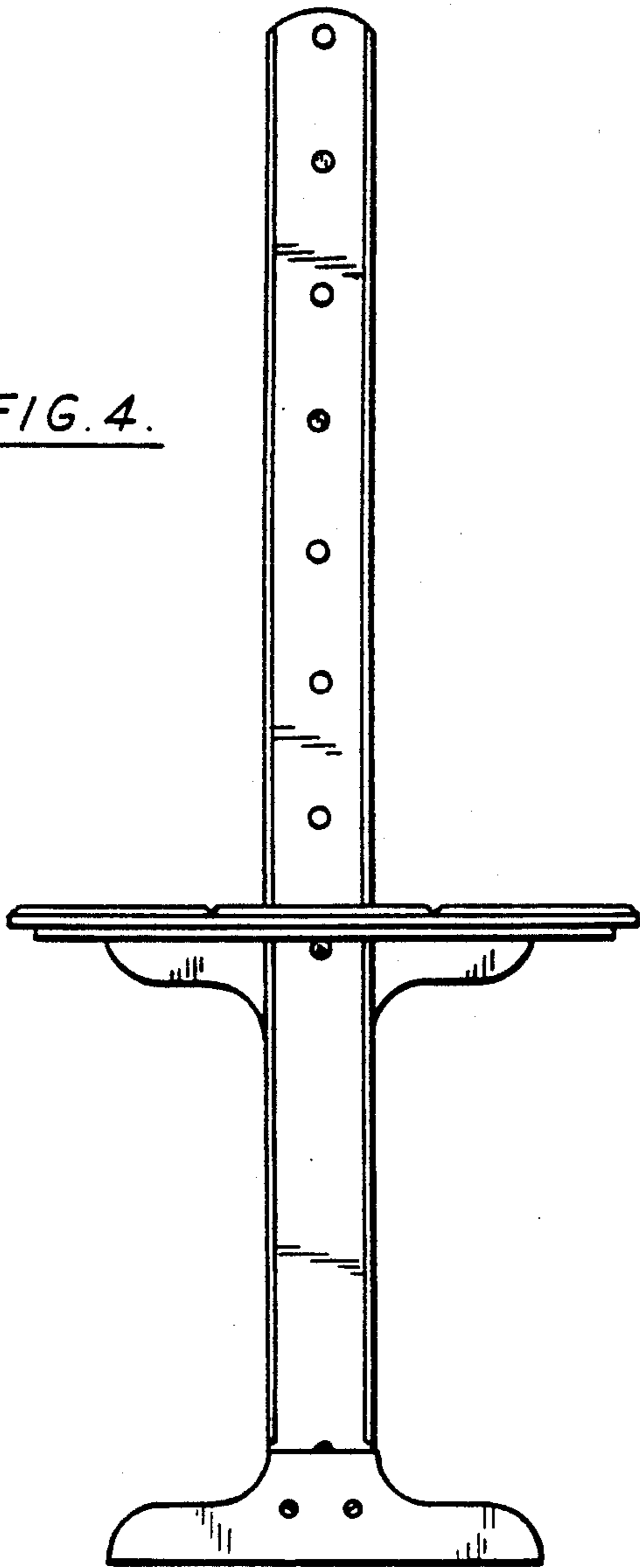


FIG. 5.

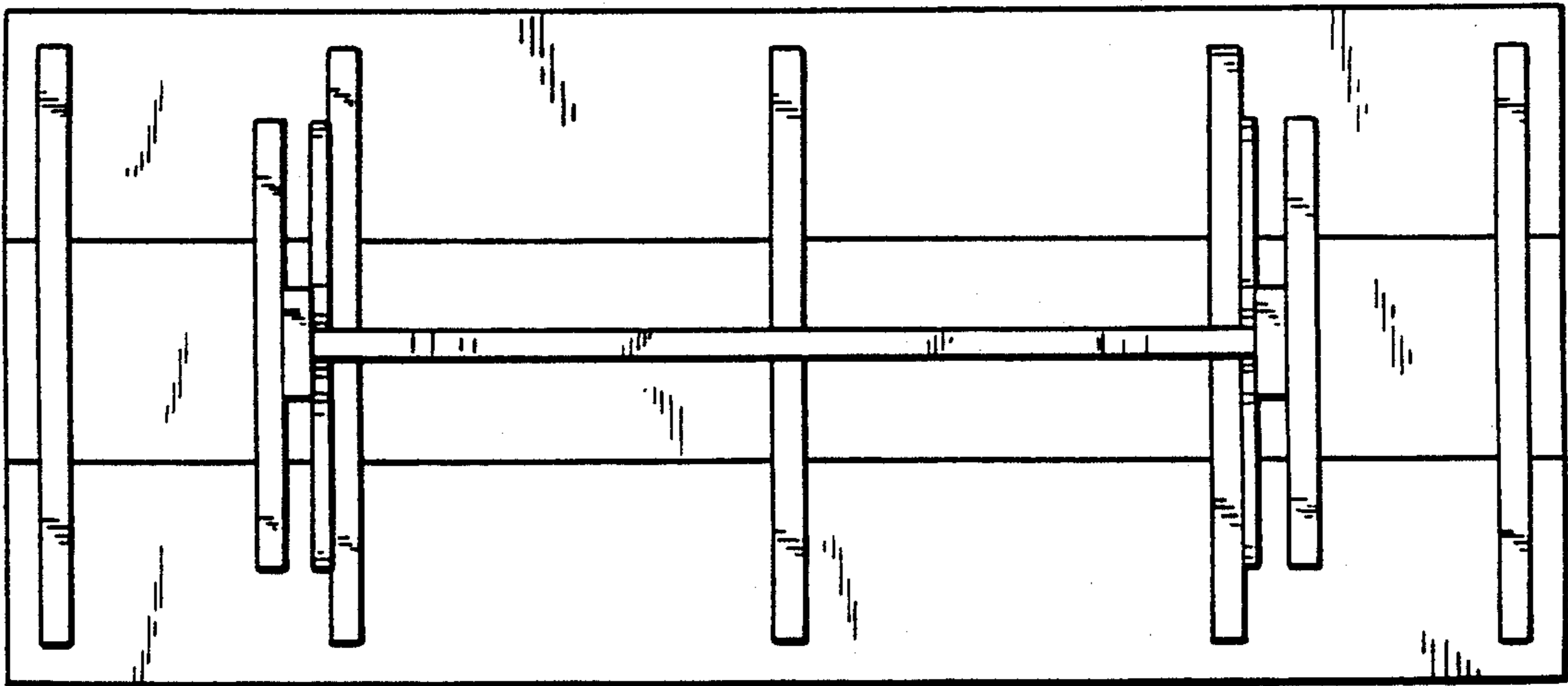
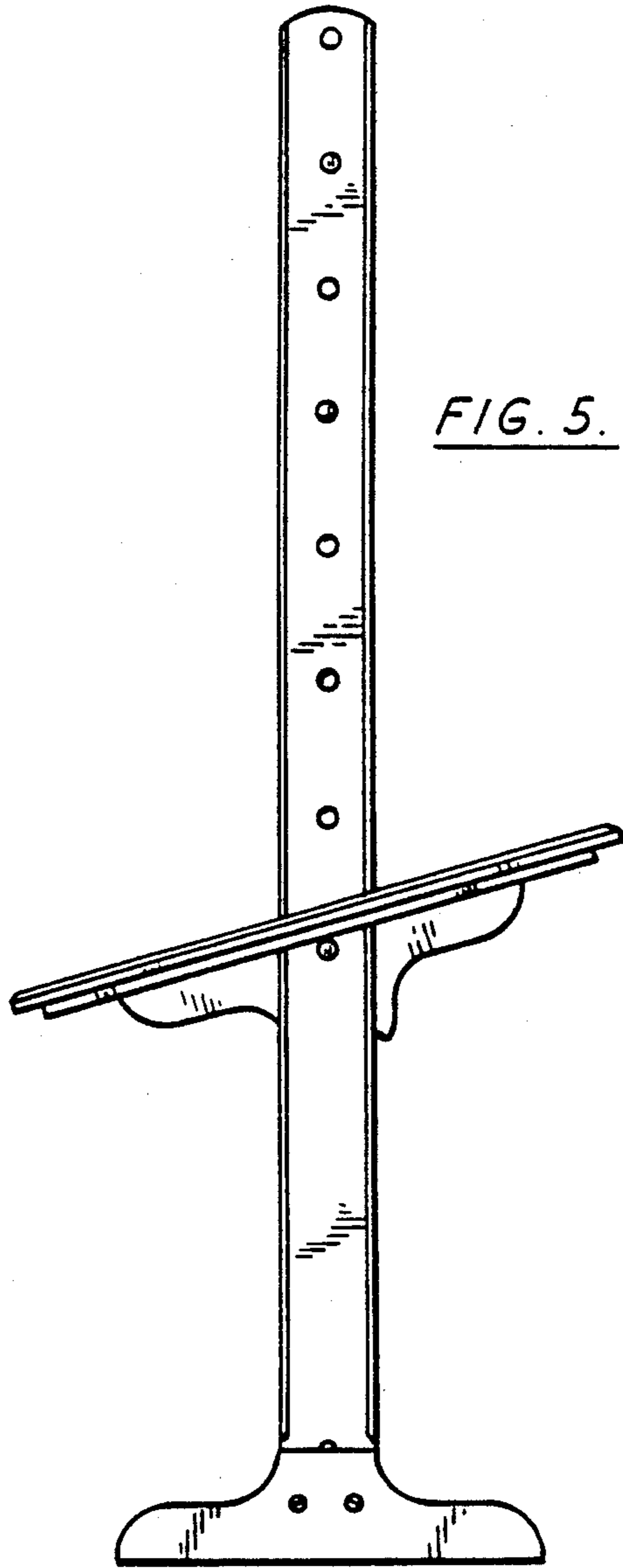


FIG. 6.

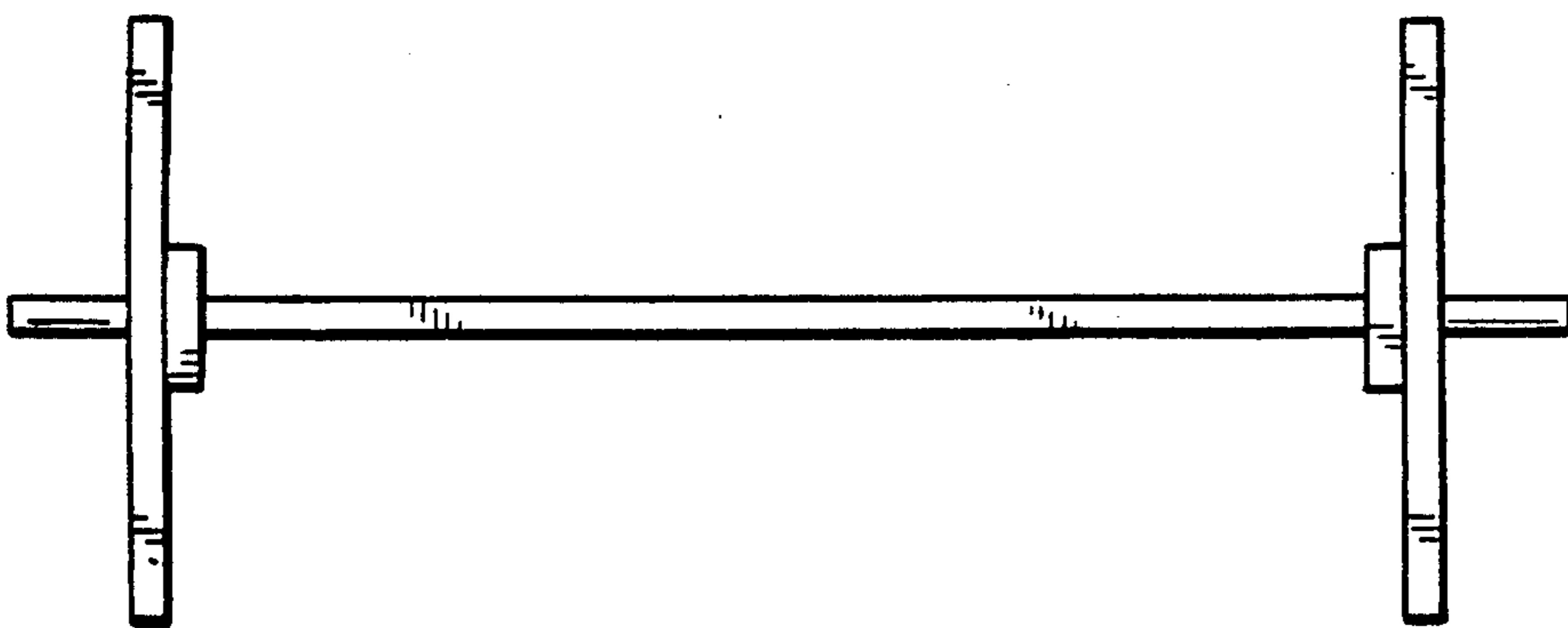
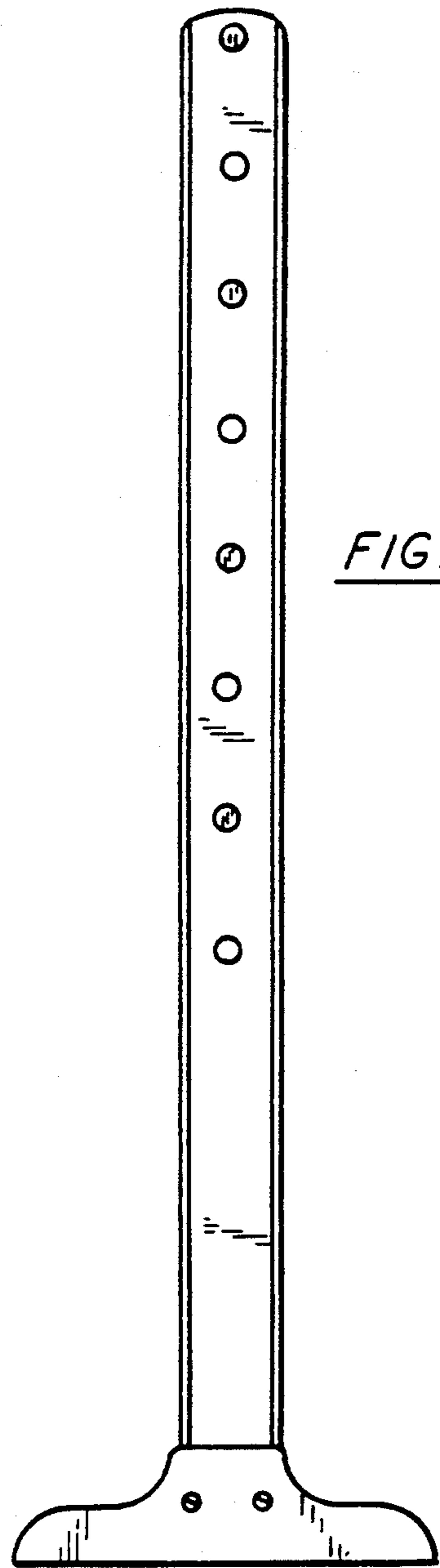
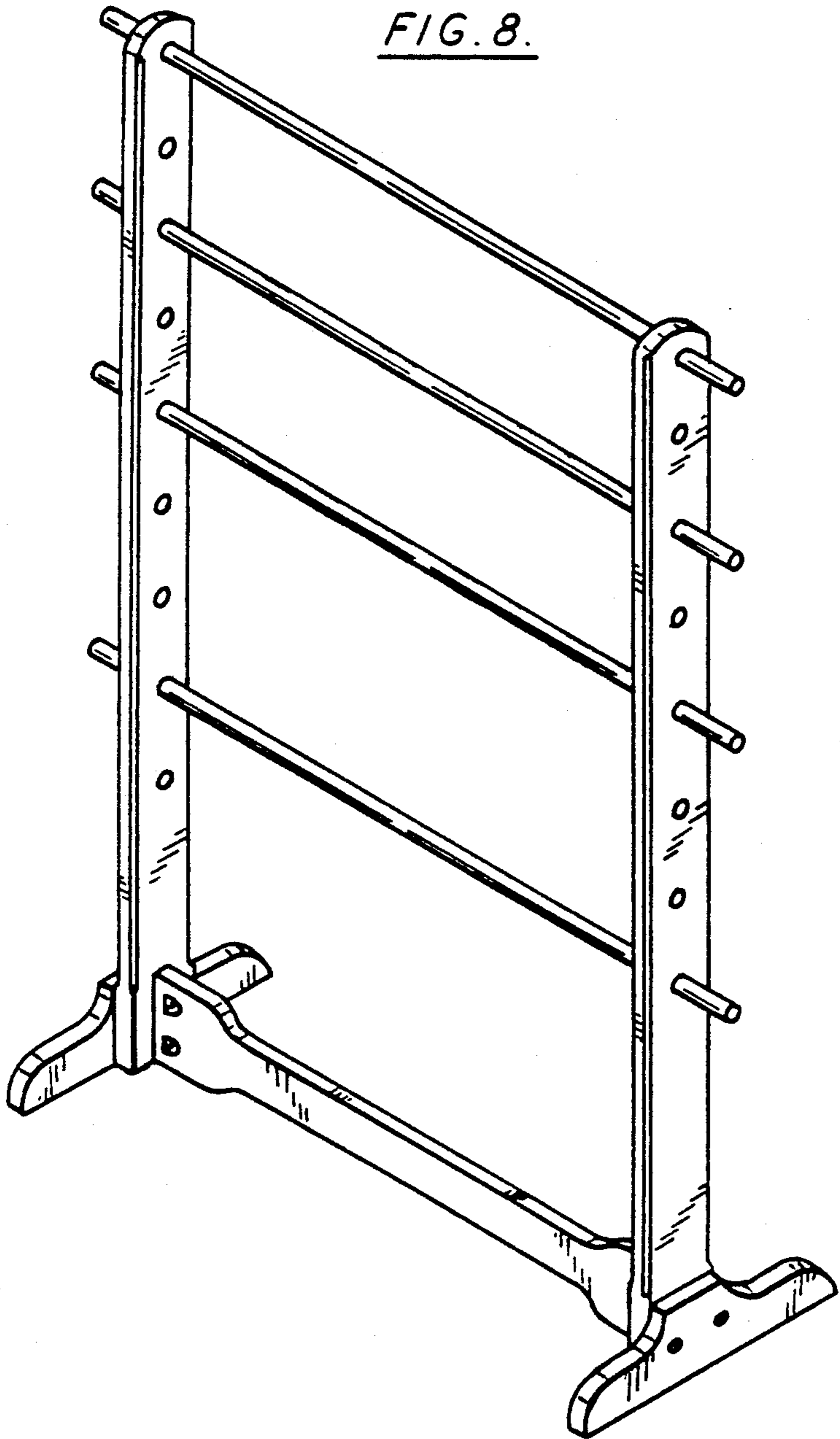


FIG. 10.