

[54] COMBINED TACKLE AND BAIT CONTAINER

[76] Inventor: Leonard Mrocza, 1015 Literary Rd., Cleveland, Ohio 44113

[**] Term: 14 Years

[21] Appl. No.: 296,584

[22] Filed: Jan. 13, 1989

[52] U.S. Cl. D3/104; D3/38; D22/136

[58] Field of Search D22/136; D3/100, 104, D3/106, 36, 38; 43/54.1, 55, 56, 57.1; 206/315.11; 220/338; 224/920, 241, 248, 245, 216, 253, 224, 240

[56] References Cited

U.S. PATENT DOCUMENTS

D. 216,940	3/1970	Stonedahl	D22/136	X
D. 244,853	6/1977	Cordell, Jr.	D3/100	
D. 263,987	4/1982	Milliman	D3/100	
2,630,651	3/1953	McGee	224/241	X
3,062,421	11/1962	Fleming	206/315.11	X
3,148,811	9/1964	Foltz	224/920	X
3,638,843	1/1972	Ortynski	206/315.11	X

3,739,518	6/1973	Ziegler	43/57.1	
4,208,825	6/1980	Barnes	43/57.1	
4,271,624	6/1981	Peluso	D3/38	X
4,697,380	10/1987	Fenske	220/263	X

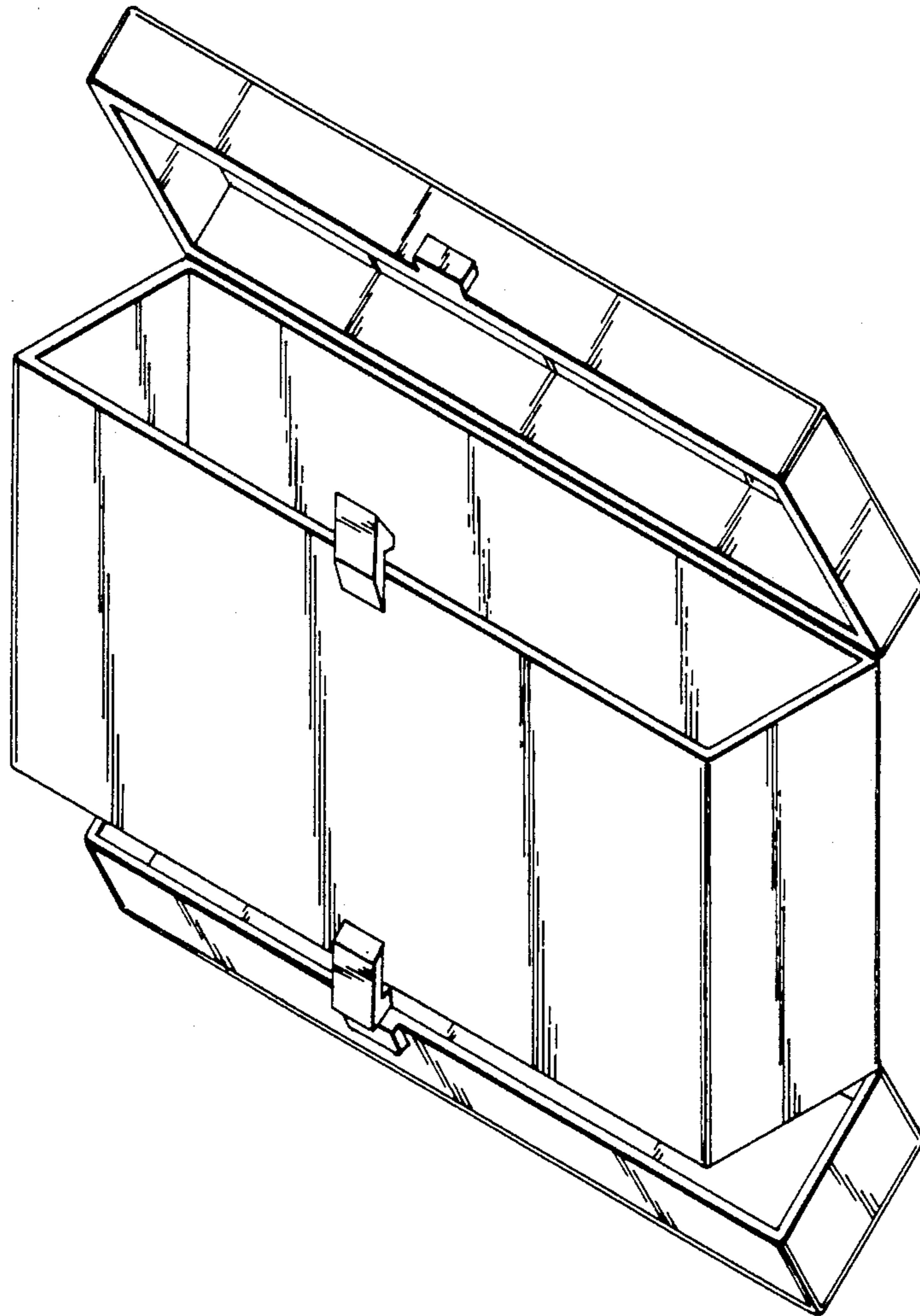
Primary Examiner—A. Hugo Word
Assistant Examiner—Doris V. Coles
Attorney, Agent, or Firm—J. Helen Slough

[57] CLAIM

The ornamental design for a combined tackle and bait container, as shown and described.

DESCRIPTION

FIG. 1 is a front perspective view of a combined tackle and bait container, showing my new design; FIG. 2 is a top plan view, the bottom being a mirror image thereof; FIG. 3 is a rear elevational view thereof; FIG. 4 is a cross-sectional view, taken along line 4—4 of FIG. 2; and FIG. 5 is a cross-sectional view, taken along line 5—5 of FIG. 2. The broken line showing of a water line, live bait, and tackle is for illustrative purposes only and form no part of the claimed design.



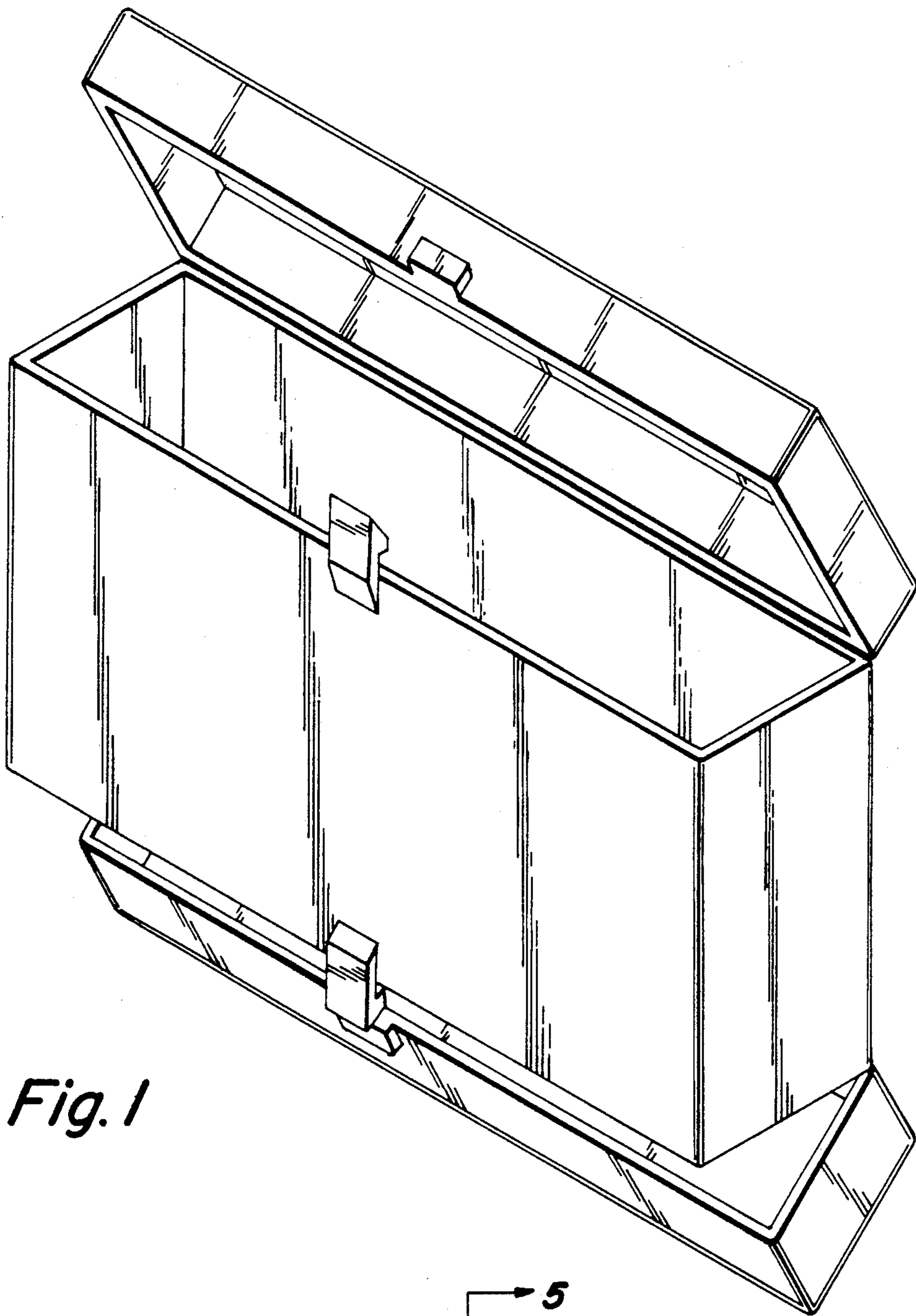


Fig. 1

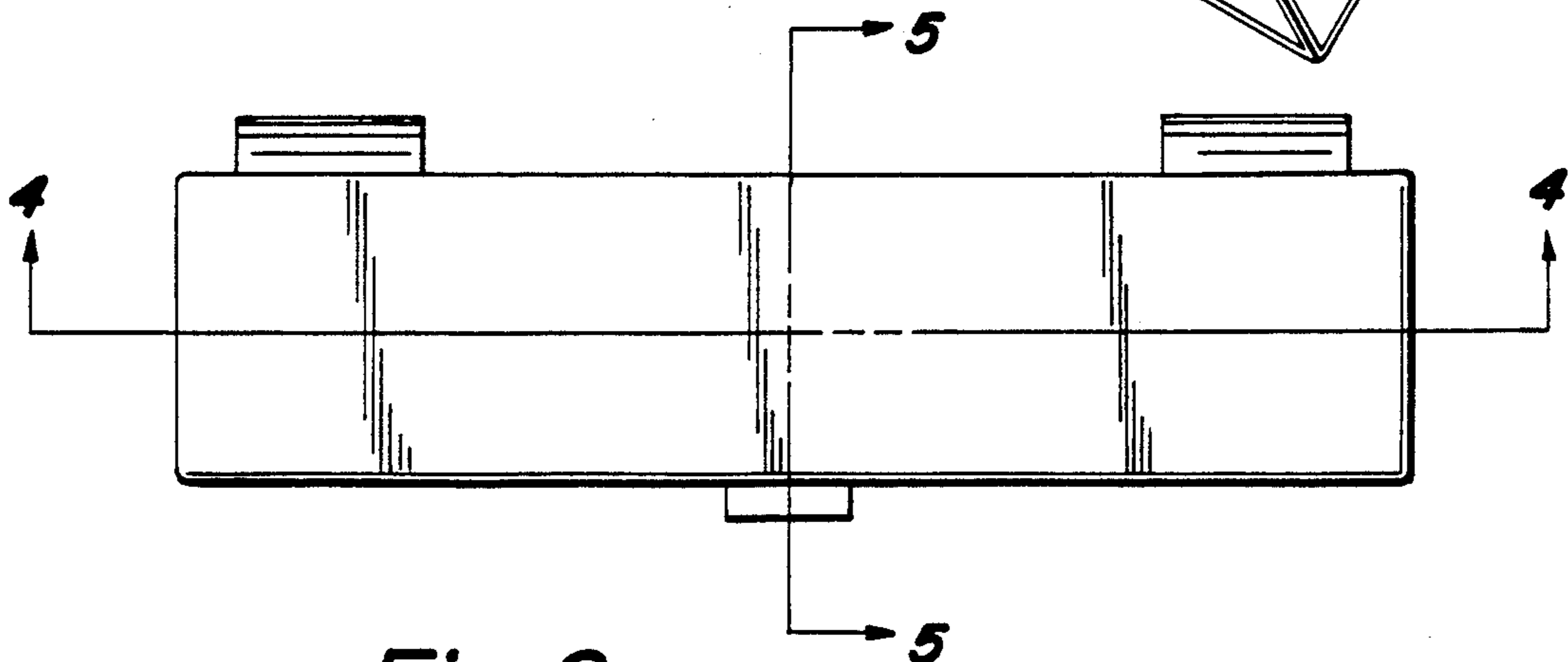


Fig. 2

Fig. 3

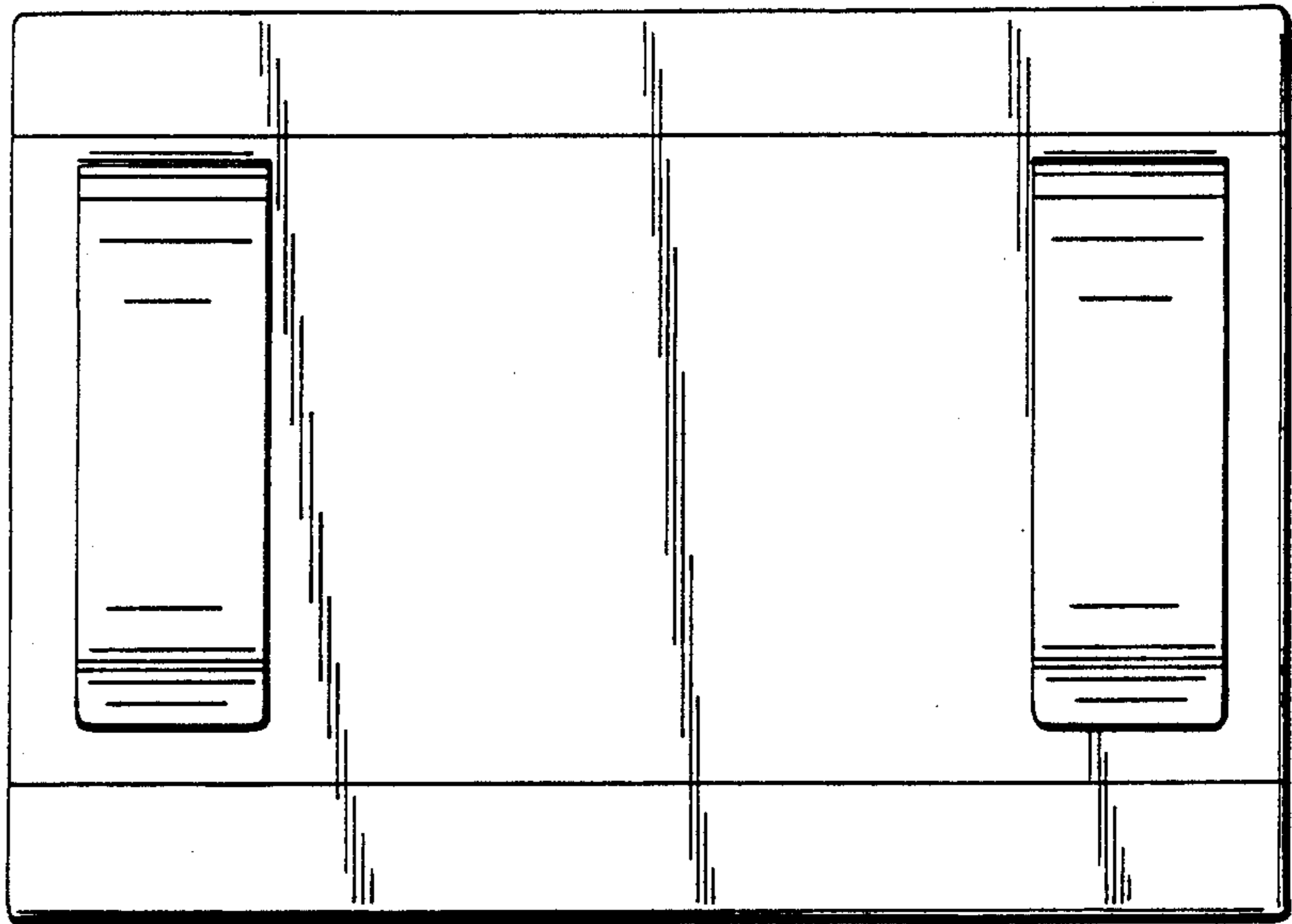


Fig. 4

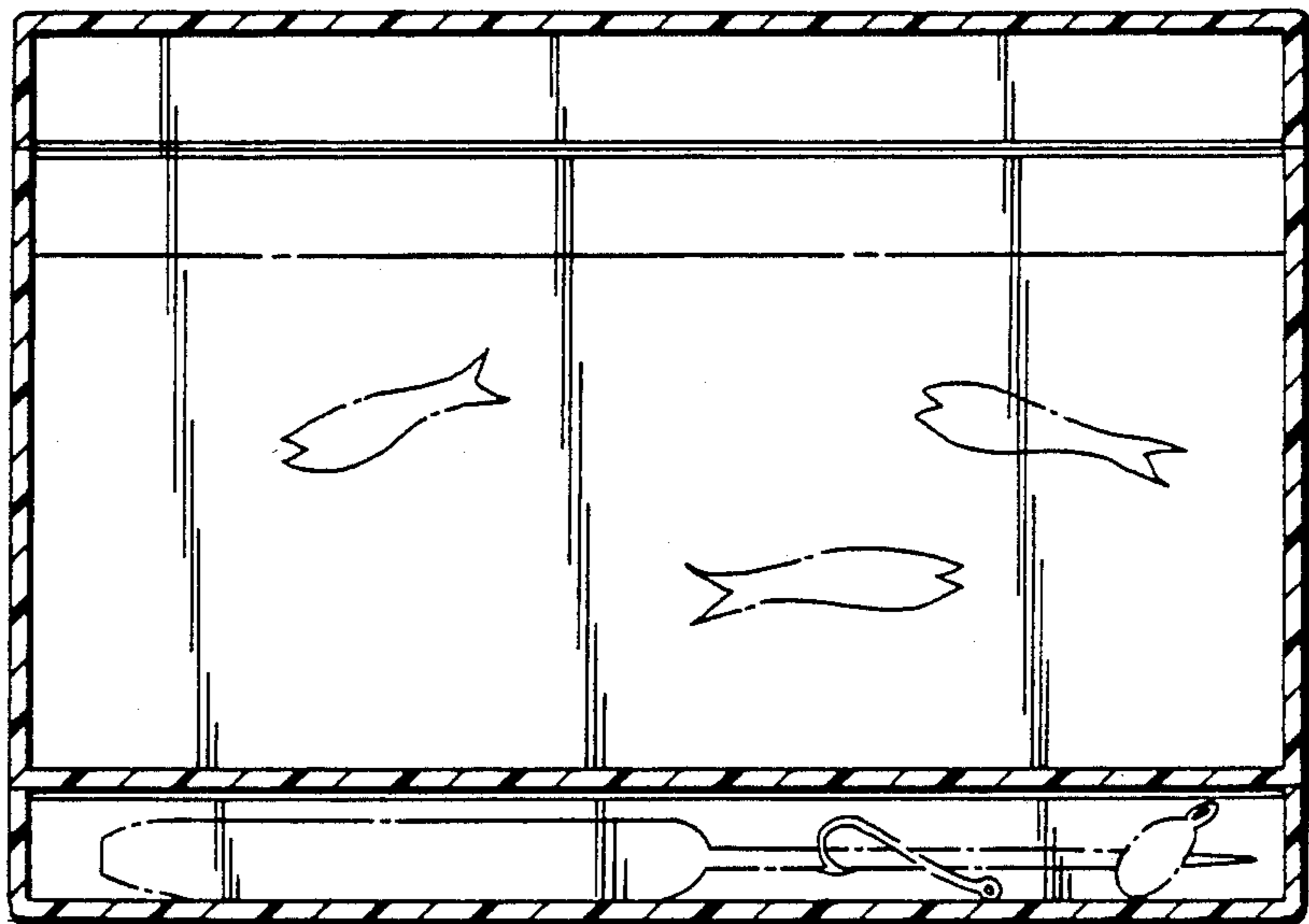


Fig. 5

