

[54] **BARBECUE TOOL**

[76] **Inventor: George Diebert, 816 Seymour Avenue, S.W., Calgary, Alberta, Canada, T2W 0N6**

[**] **Term: 14 Years**

[21] **Appl. No.: 374,953**

[22] **Filed: Jul. 3, 1989**

[52] **U.S. Cl. D32/46**

[58] **Field of Search D7/688; D32/46-49, D32/40, 52; 30/169; 15/236.01, 236.07**

[56] **References Cited**

U.S. PATENT DOCUMENTS

D. 301,973 7/1989 Parella D32/46 X
.2,747,911 5/1956 Kuever D7/688 X

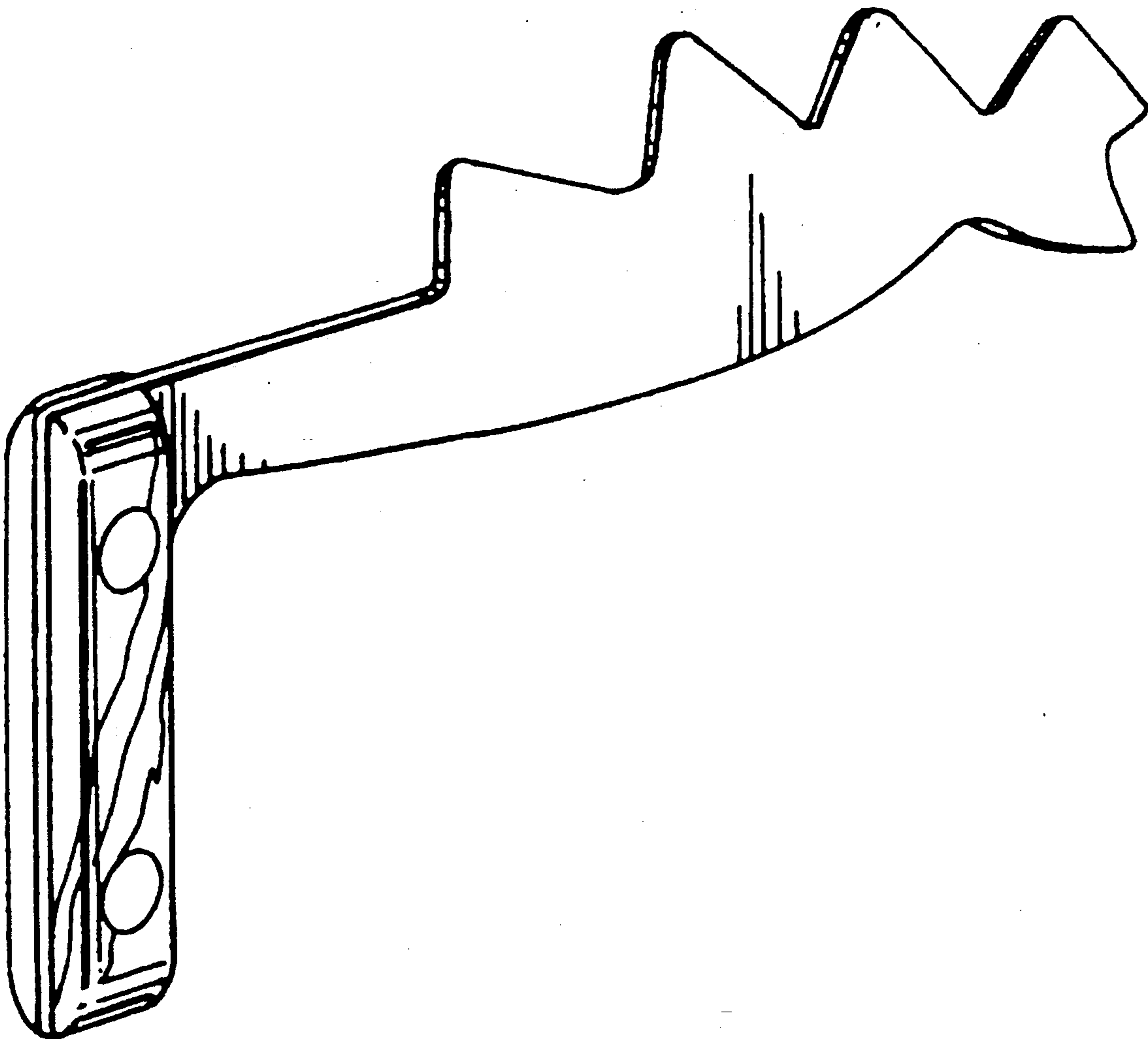
Primary Examiner—Terry A. Pfeffer
Attorney, Agent, or Firm—George Haining Dunsmuir

[57] **CLAIM**

The ornamental design for a barbecue tool, as shown and described.

DESCRIPTION

FIG. 1 is a top, front, left side perspective view of a barbecue tool showing my new design, the rear view being a mirror image of the front view;
FIG. 2 is a top plan view thereof; and
FIG. 3 is a right side elevational view thereof.



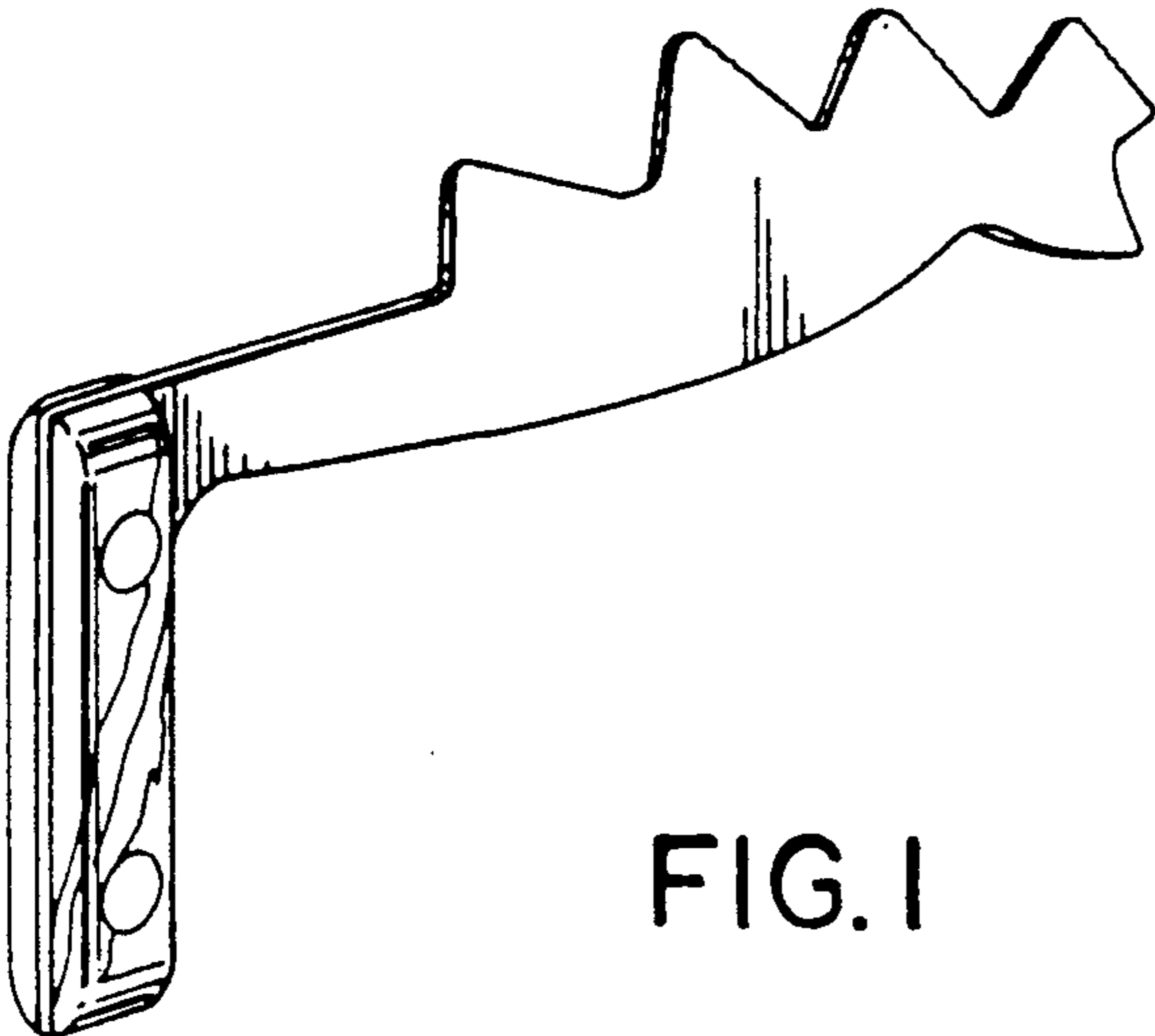


FIG. 1



FIG. 2



FIG. 3