

[54] COMBINED BREATHING REGULATOR AND CONTAINER FOR UNDERWATER USE

[76] Inventor: Guy S. Nelepka, 2327 N. Tustin Ave., Newport Beach, Calif. 92660

[**] Term: 14 Years

[21] Appl. No.: 292,877

[22] Filed: Jan. 3, 1989

[52] U.S. Cl. D29/6; D24/164

[58] Field of Search D24/99; D29/6, 7, 8, D29/9; 128/204.26, 205.24, 205.25; 137/114

[56] References Cited

U.S. PATENT DOCUMENTS

D. 203,640	2/1966	Shugarman	D29/6
D. 245,121	7/1977	Christianson	D29/6
D. 251,622	4/1979	Garrison et al.	D29/6
D. 283,742	5/1986	Hall	D29/6

Primary Examiner—James M. Gandy
Assistant Examiner—Marcus Jackson
Attorney, Agent, or Firm—Willie Krawitz

[57] CLAIM

The ornamental design for a combined breathing regulator and container for underwater use, as shown.

DESCRIPTION

FIG. 1 is a perspective view of a combined breathing regulator and container for underwater use showing my new design;

FIG. 2 is a right side elevational view thereof, with the opposite side being a mirror image and with the mouth-piece omitted;

FIG. 3 is a bottom plan view thereof, with the container omitted;

FIG. 4 is a top plan view of FIG. 3;

FIG. 5 is a front elevational view of FIG. 3;

FIG. 6 is a rear elevational view of FIG. 3.

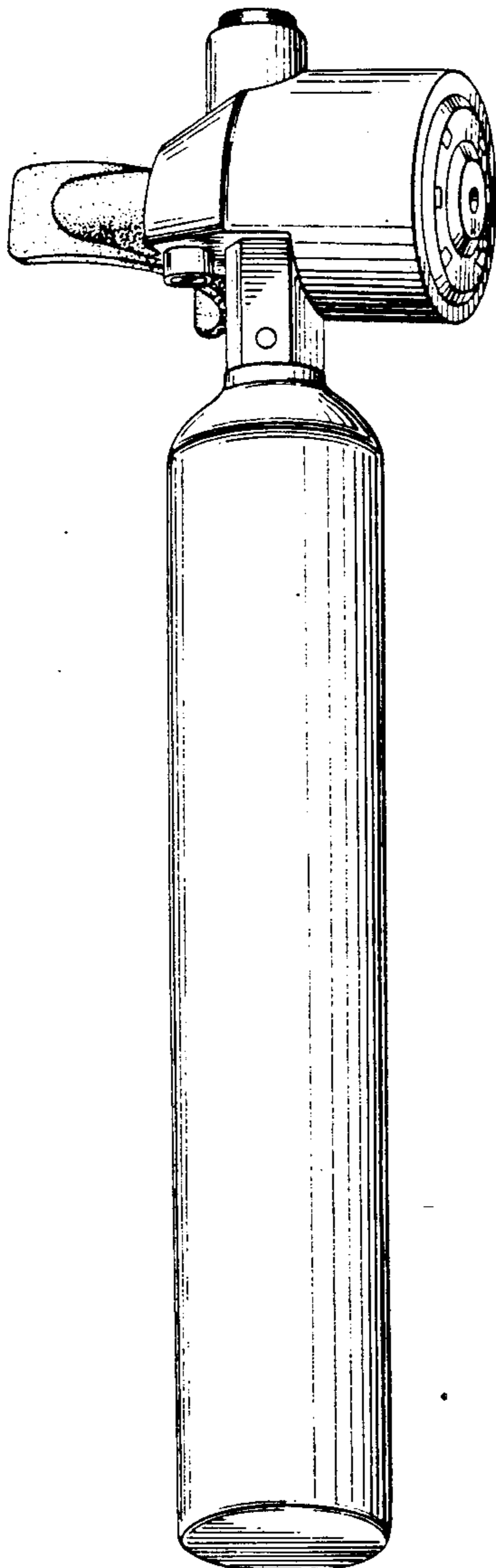


FIG. 1

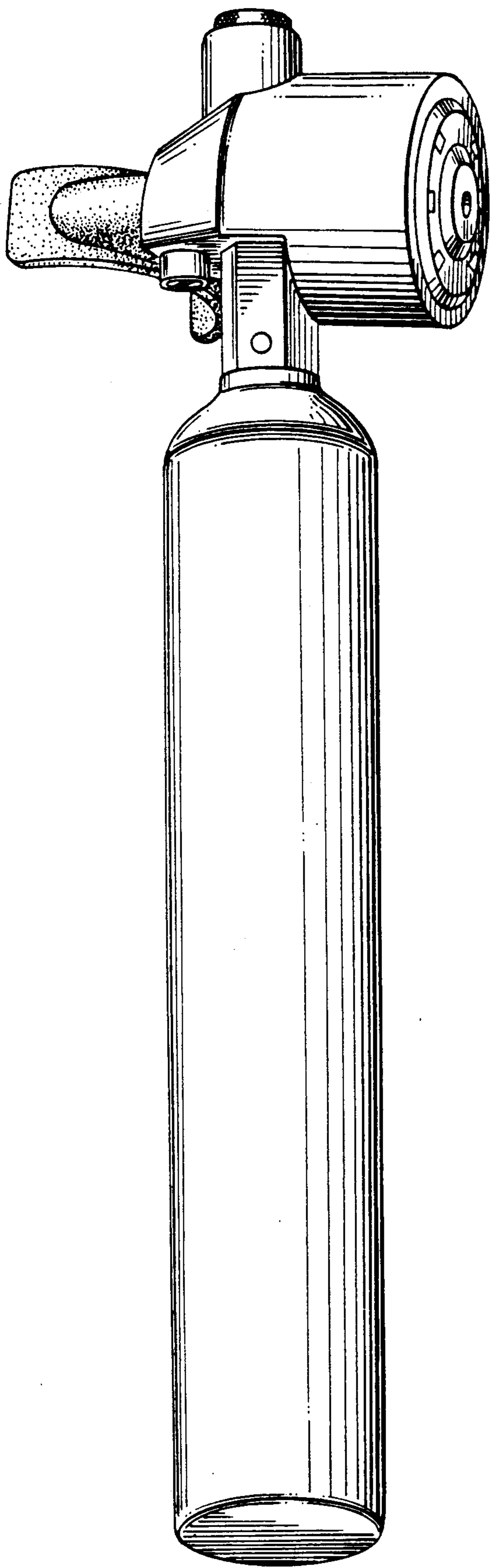


FIG. 3

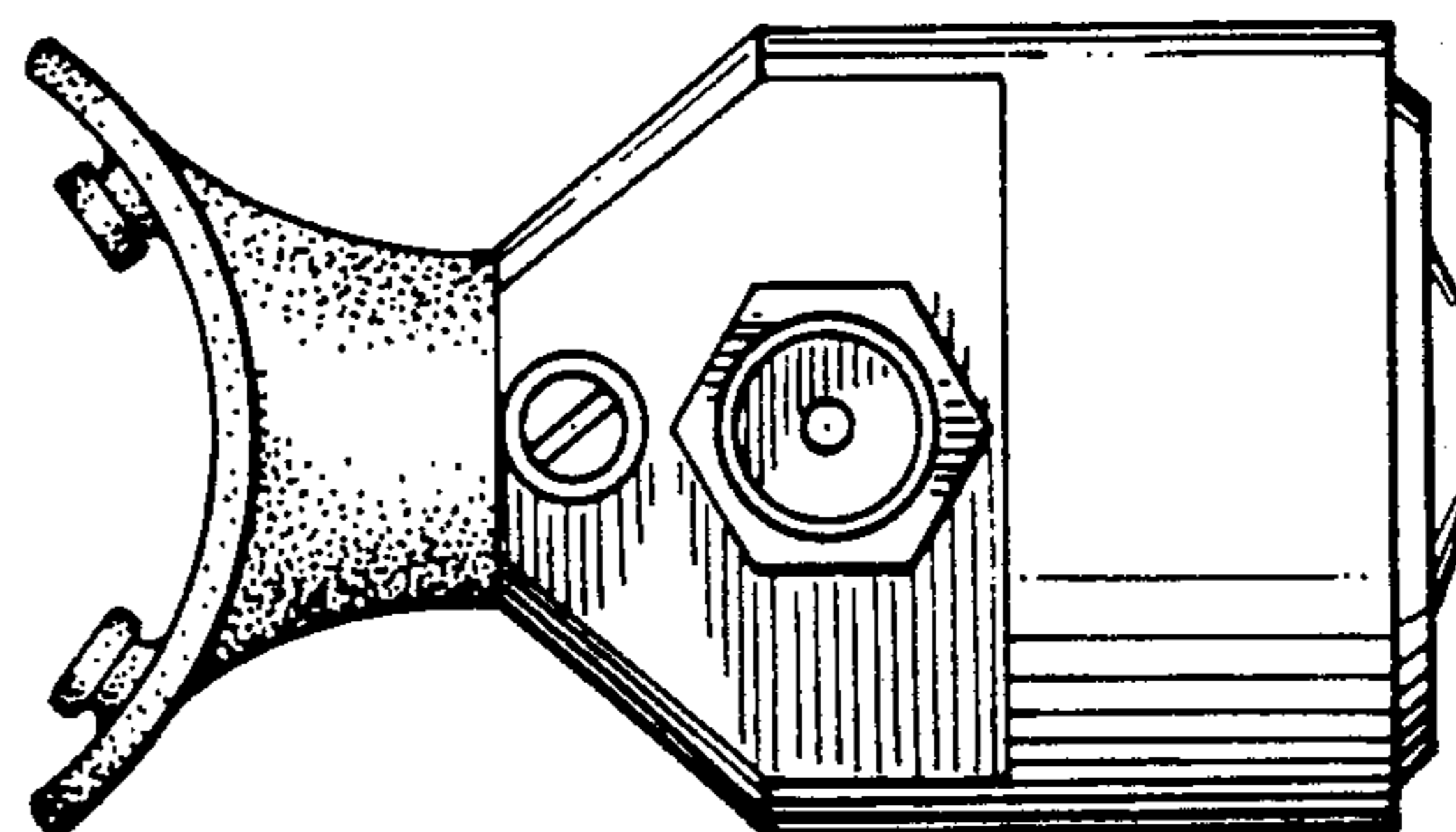


FIG. 4

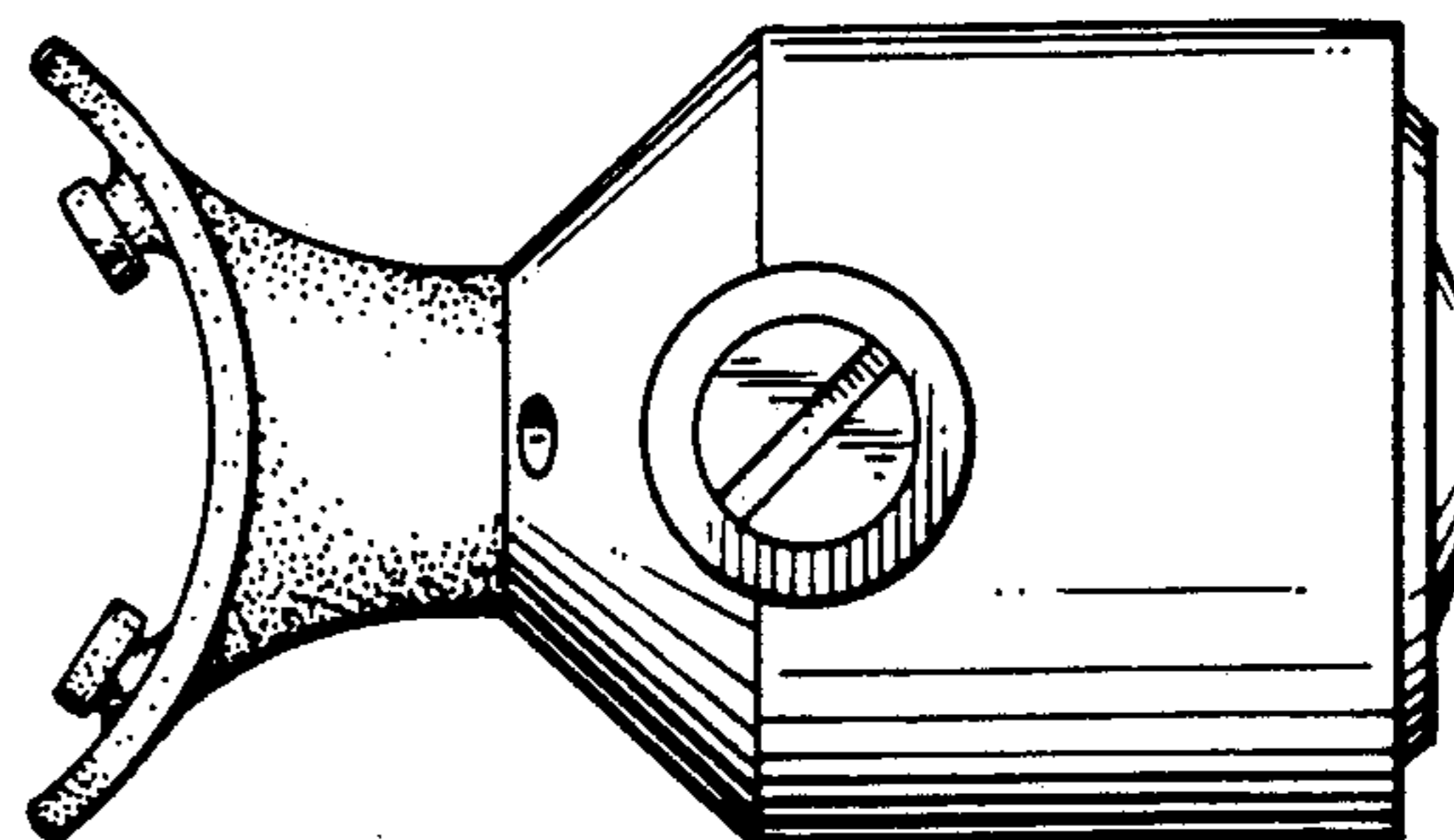


FIG. 2

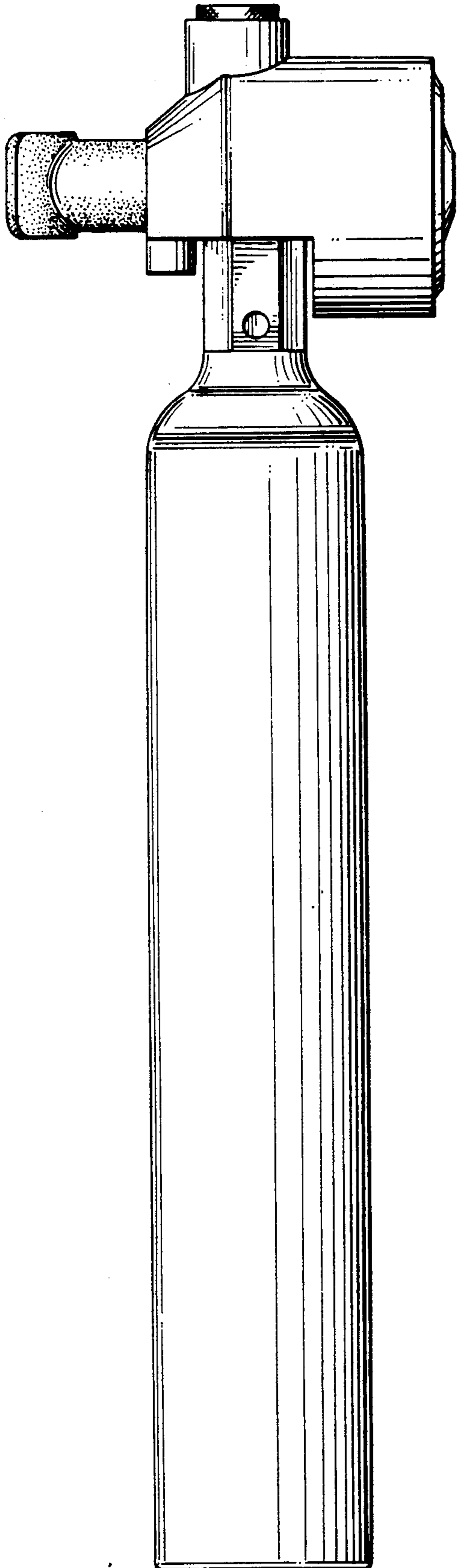


FIG. 6

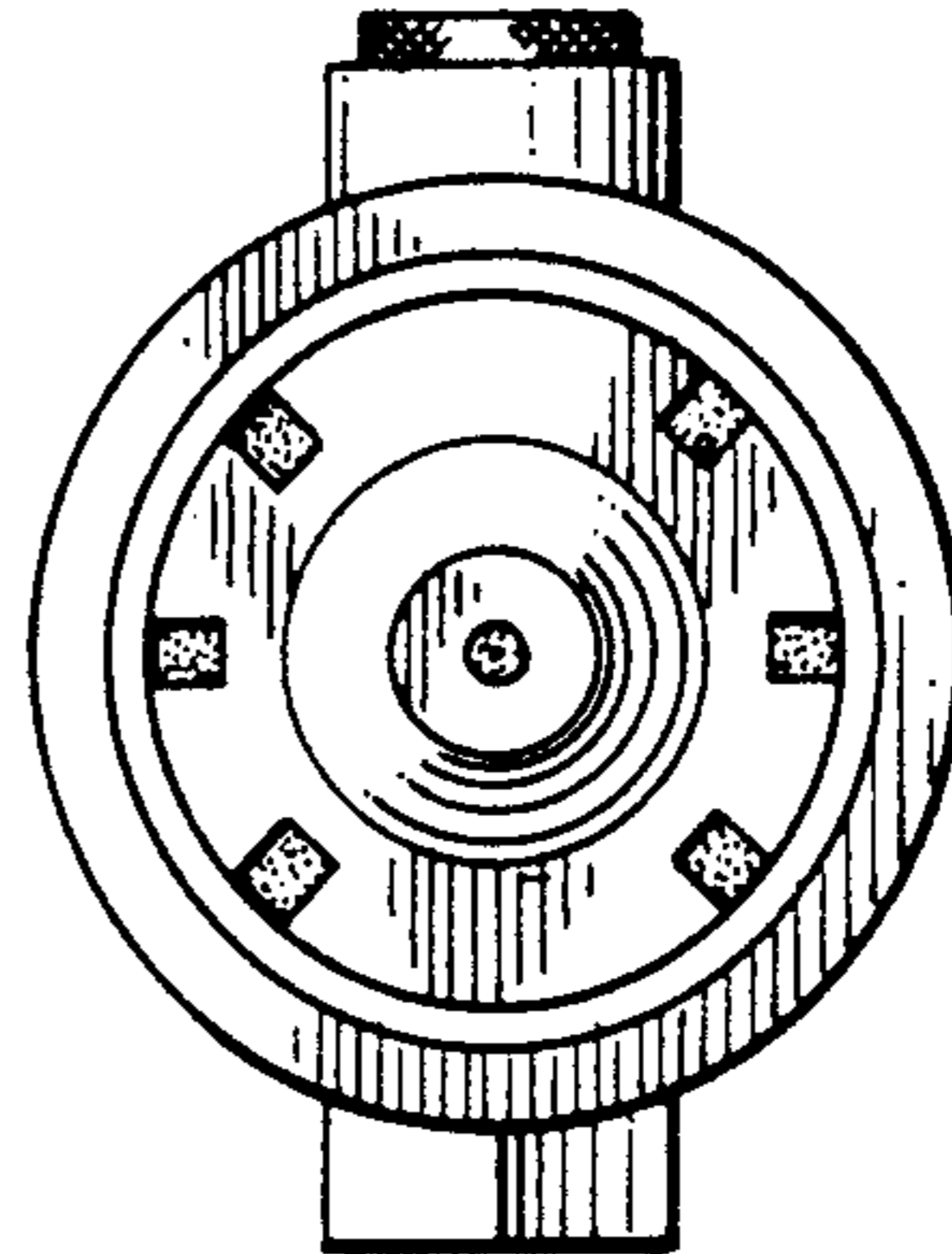


FIG. 5

