

[54] SUPPORTING DEVICE FOR  
HEIGHT-ADJUSTING OF FLOORS

[76] Inventor: Chien-Teh Huang, No. 105, Sec. 4,  
Shan-Ho Road, Shan-Chung City,  
Taipei Hsien, Taiwan

[\*\*] Term: 14 Years

[21] Appl. No.: 352,907

[22] Filed: May 17, 1989

[52] U.S. Cl. .... D34/31

[58] Field of Search ..... D34/28, 31; 52/126.6,  
52/263

[56] **References Cited**

U.S. PATENT DOCUMENTS

2,380,692	7/1945	Gunnison	52/126.6
3,398,933	8/1968	Haroldson	52/126.6 X
3,645,054	2/1972	Olvera	52/126.6
4,277,923	7/1981	Rebentisch et al.	52/126.6
4,685,258	8/1987	Av-Zuk	52/126.6

FOREIGN PATENT DOCUMENTS

3411953 10/1985 Fed. Rep. of Germany ..... 52/126.6  
1340185 12/1973 United Kingdom ..... 52/126.6

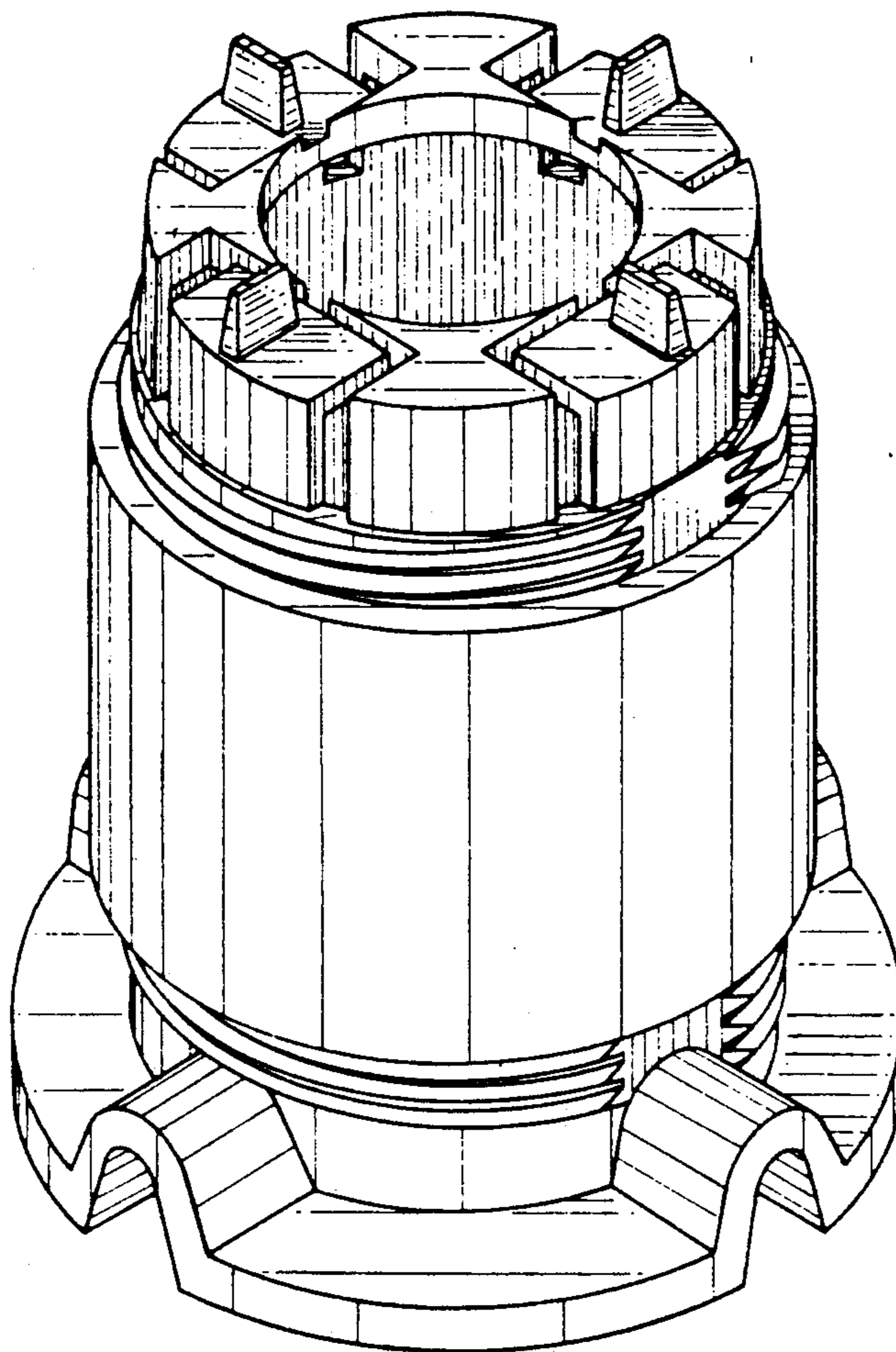
Primary Examiner—Wallace R. Burke  
Assistant Examiner—Holly H. Baynham  
Attorney, Agent, or Firm—Leonard Bloom

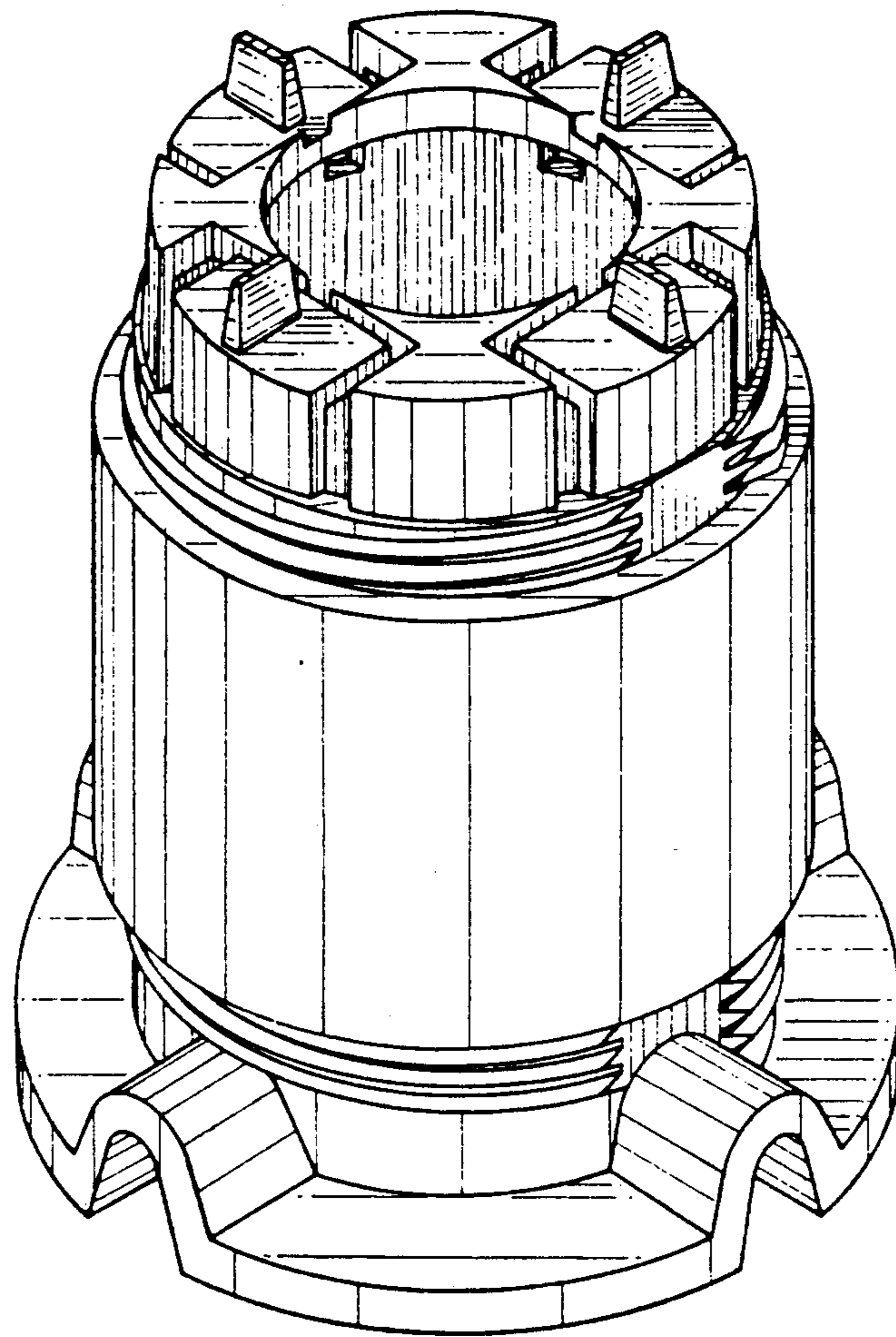
[57] **CLAIM**

The ornamental design for supporting device for height-adjusting of floor, as shown in FIGS. 1-7 and as herein described.

**DESCRIPTION**

FIG. 1 is a perspective view of supporting device for height-adjusting of floor, showing my new design;  
FIG. 2 is a front elevational view thereof;  
FIG. 3 is a rear elevational view thereof;  
FIG. 4 is a right side elevational view thereof;  
FIG. 5 is a left side elevational view thereof;  
FIG. 6 is a top plan view thereof;  
FIG. 7 is a bottom plan view thereof.





F I G - 1

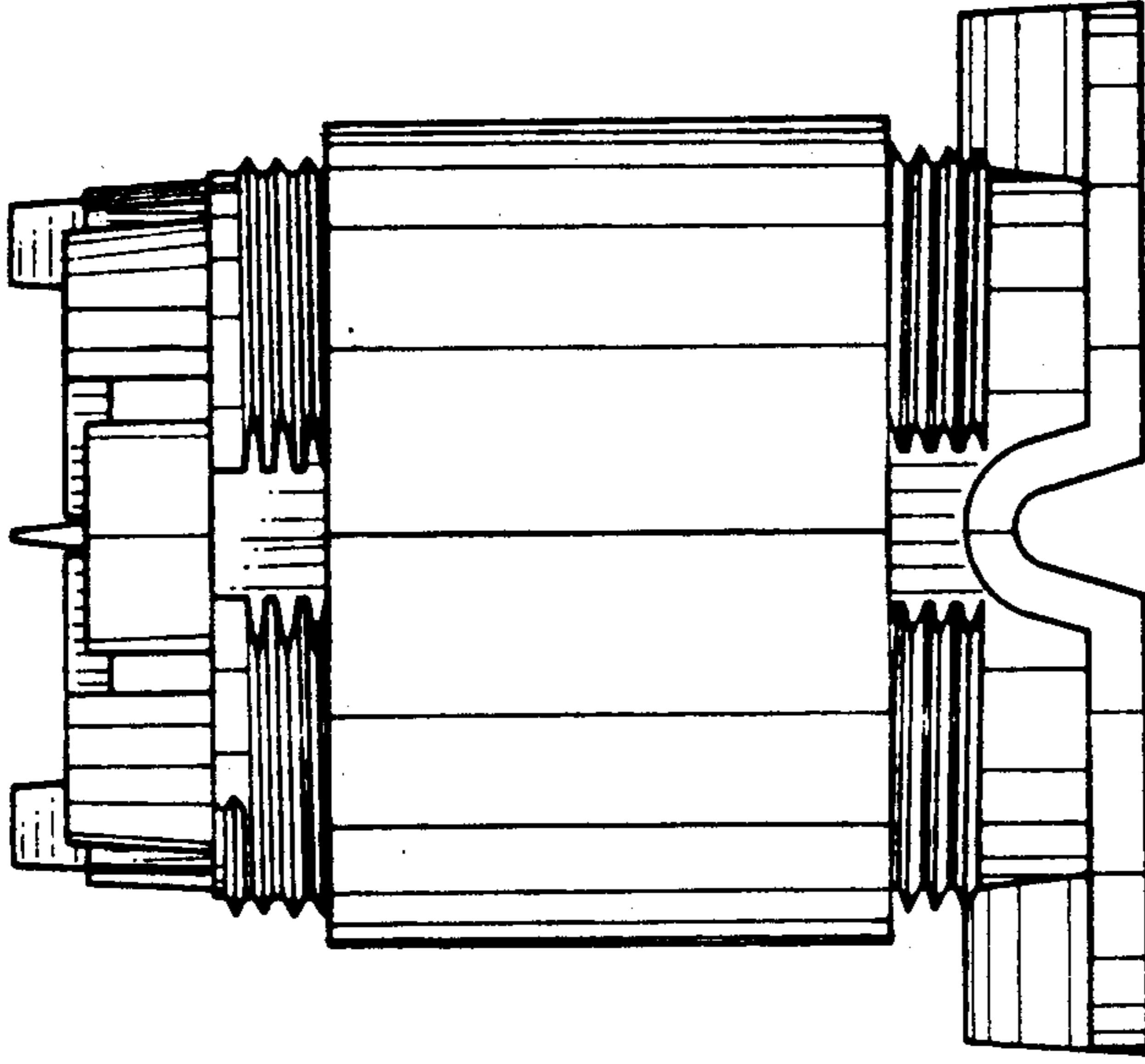


FIG-3

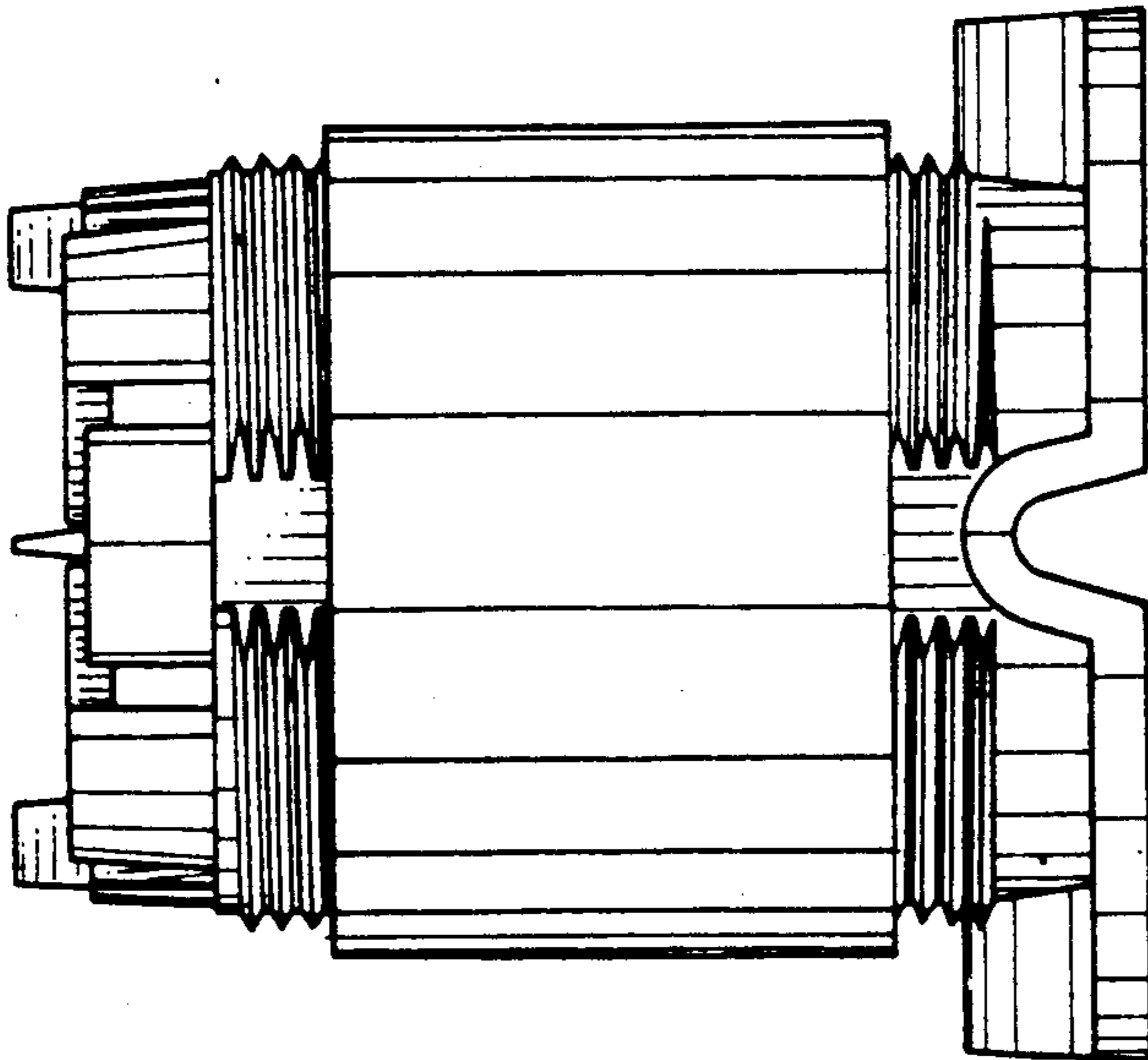


FIG-2

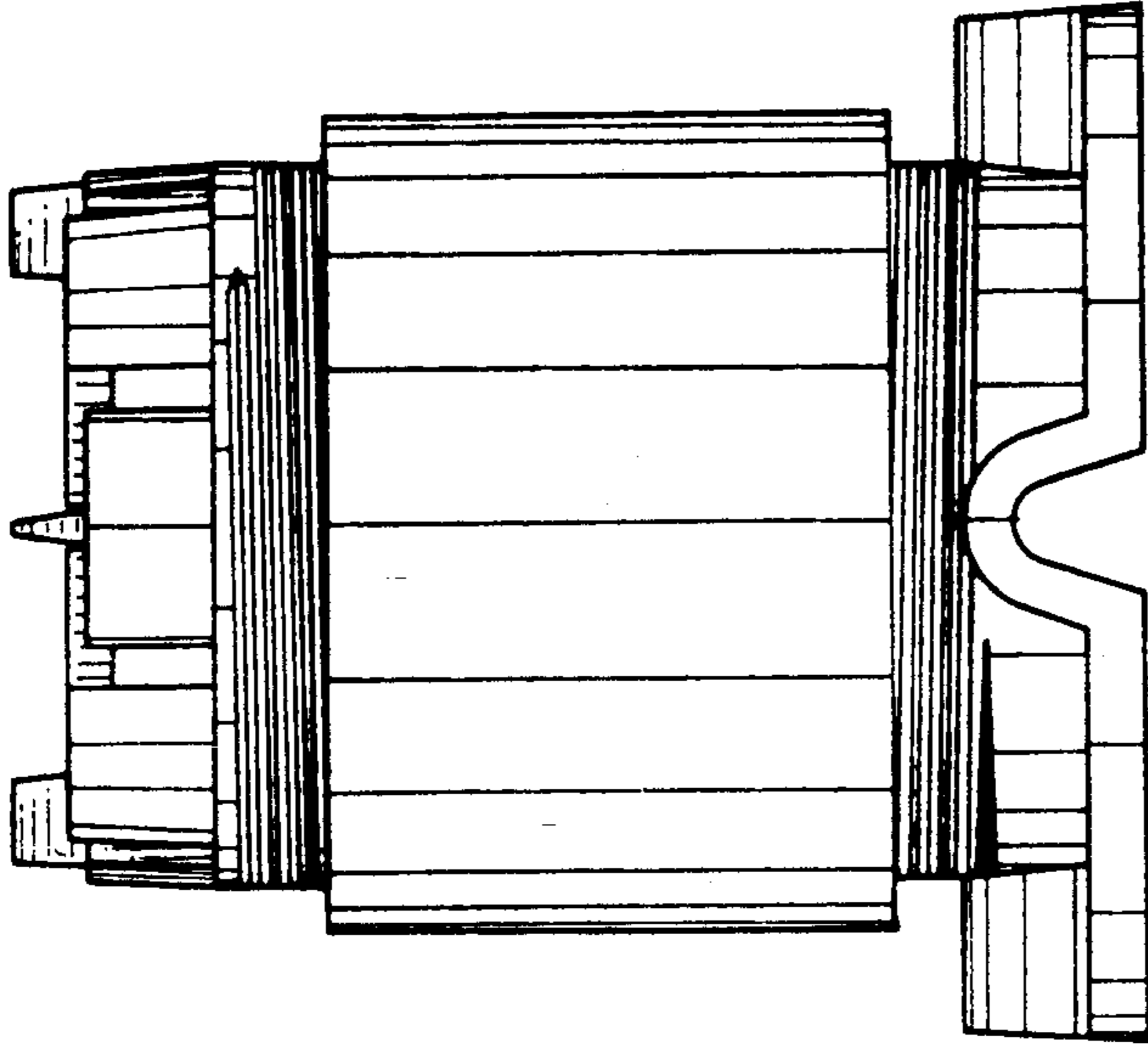


FIG-5

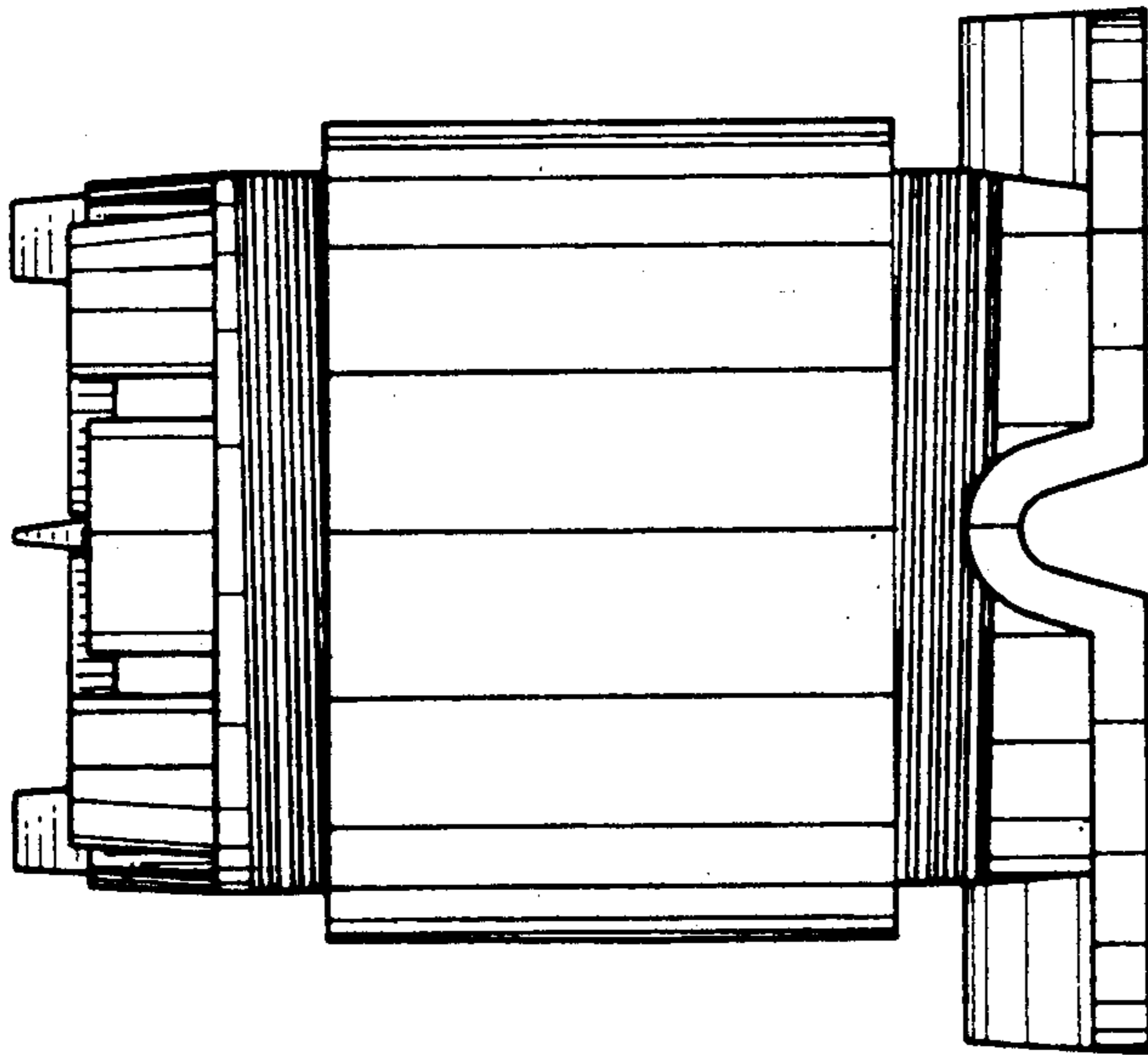


FIG-4

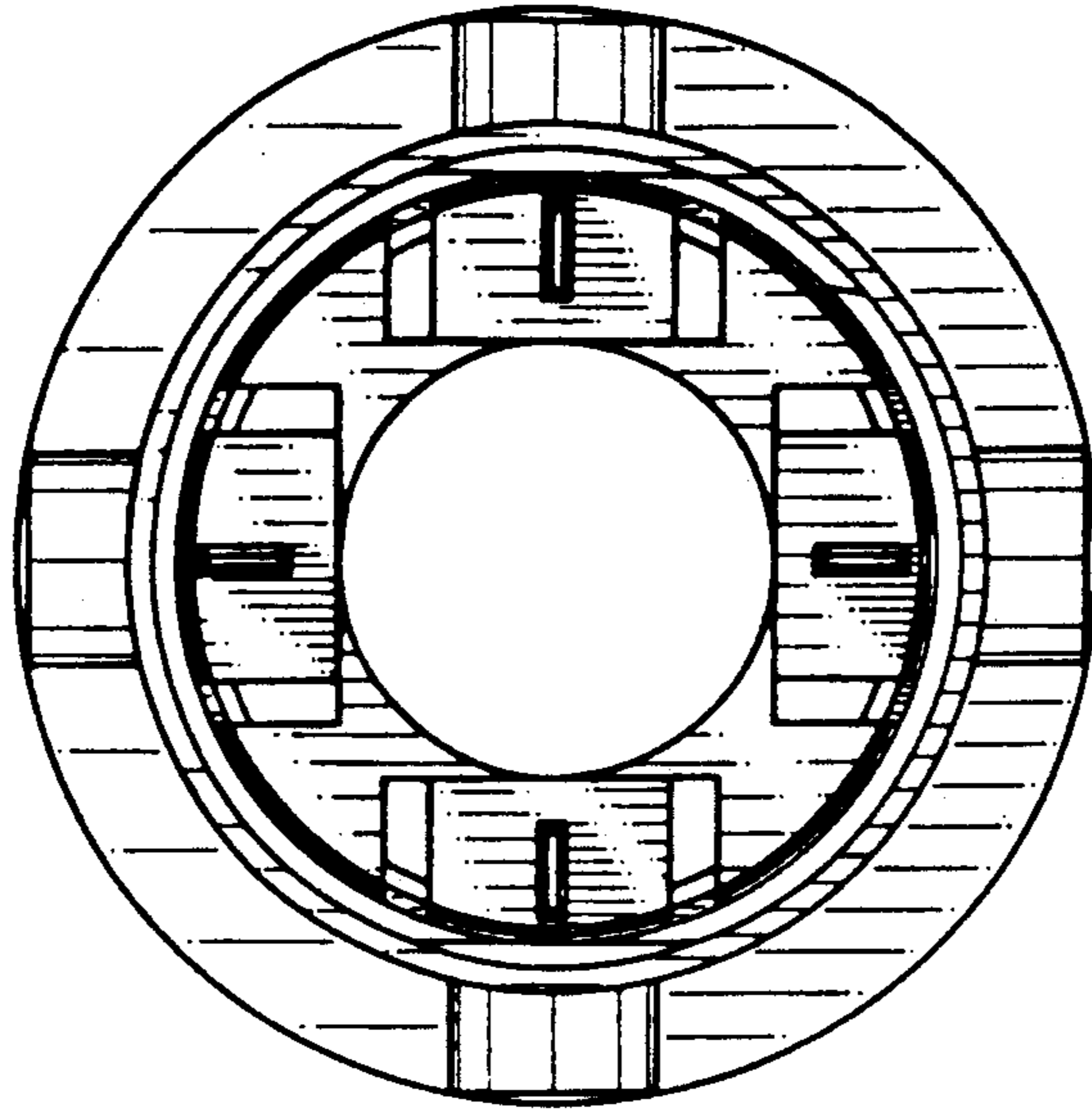


FIG-6

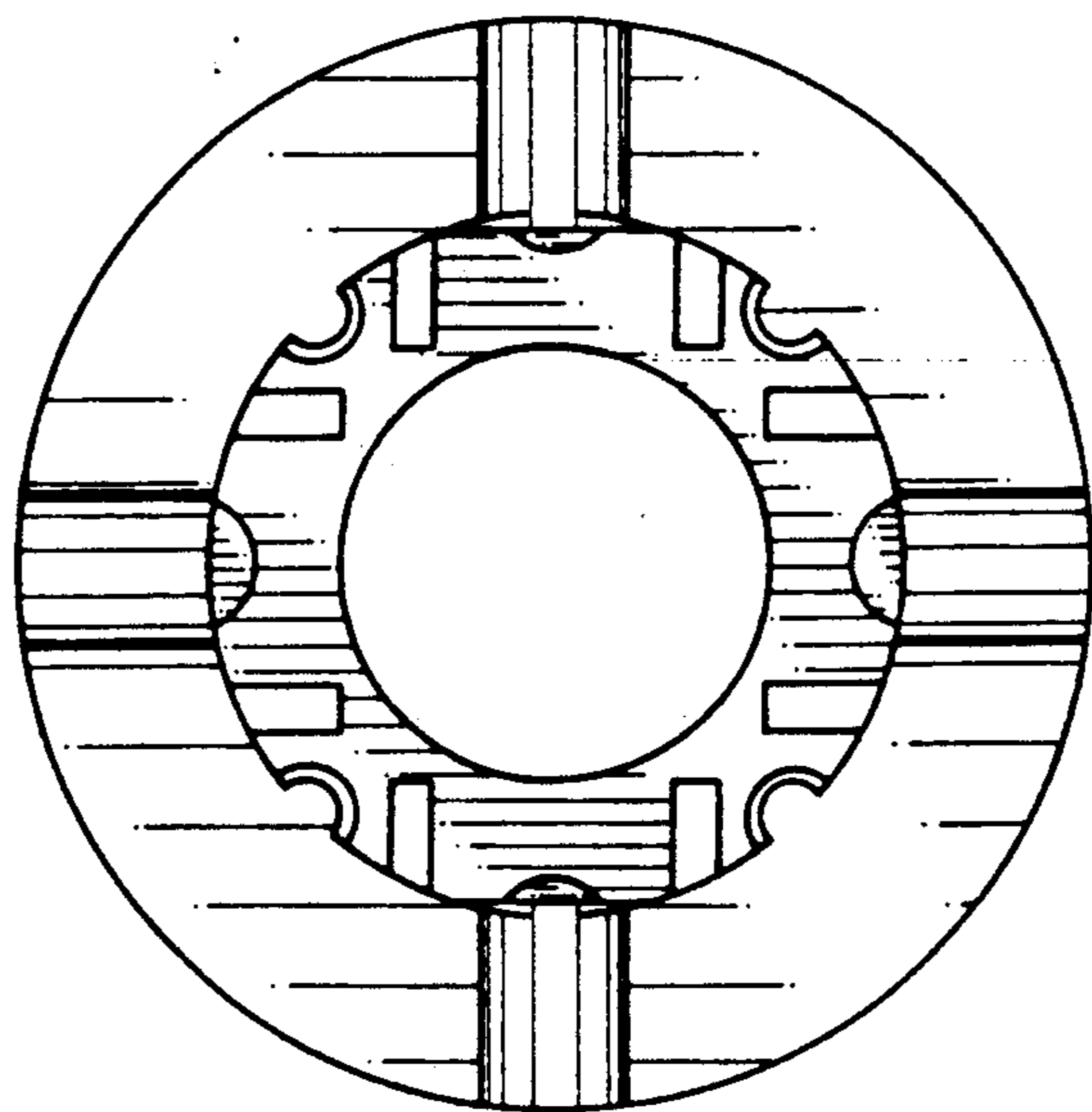


FIG-7