

# United States Patent [19]

Wallin

[11] Patent Number: **Des. 320,484**

[45] Date of Patent: **\*\* Oct. 1, 1991**

[54] **CREEPER**

[75] Inventor: **Craig Wallin, Salt Lake City, Utah**

[73] Assignee: **William A. Dutro, Logan, Utah**

[\*\*] Term: **14 Years**

[21] Appl. No.: **358,195**

[22] Filed: **May 30, 1989**

[52] U.S. Cl. .... **D34/23**

[58] Field of Search ..... **D34/17, 23; 280/32.6, 280/79, 11, 43, 24**

[56] **References Cited**

**U.S. PATENT DOCUMENTS**

D. 152,008 12/1948 Lucas ..... 280/32.6  
D. 215,206 9/1969 Evans ..... D34/23  
D. 242,909 1/1977 Miller ..... D34/23  
D. 301,078 5/1989 Szpor ..... D34/23

D. 301,791 6/1989 Osborne ..... D34/23  
4,721,316 1/1988 Whiteside ..... 280/32.6

*Primary Examiner*—Kay H. Chin  
*Attorney, Agent, or Firm*—Harris Zimmerman

[57] **CLAIM**

The ornamental design for a creeper, substantially as shown and described.

**DESCRIPTION**

FIG. 1 is a top front perspective view of a creeper showing my new design;

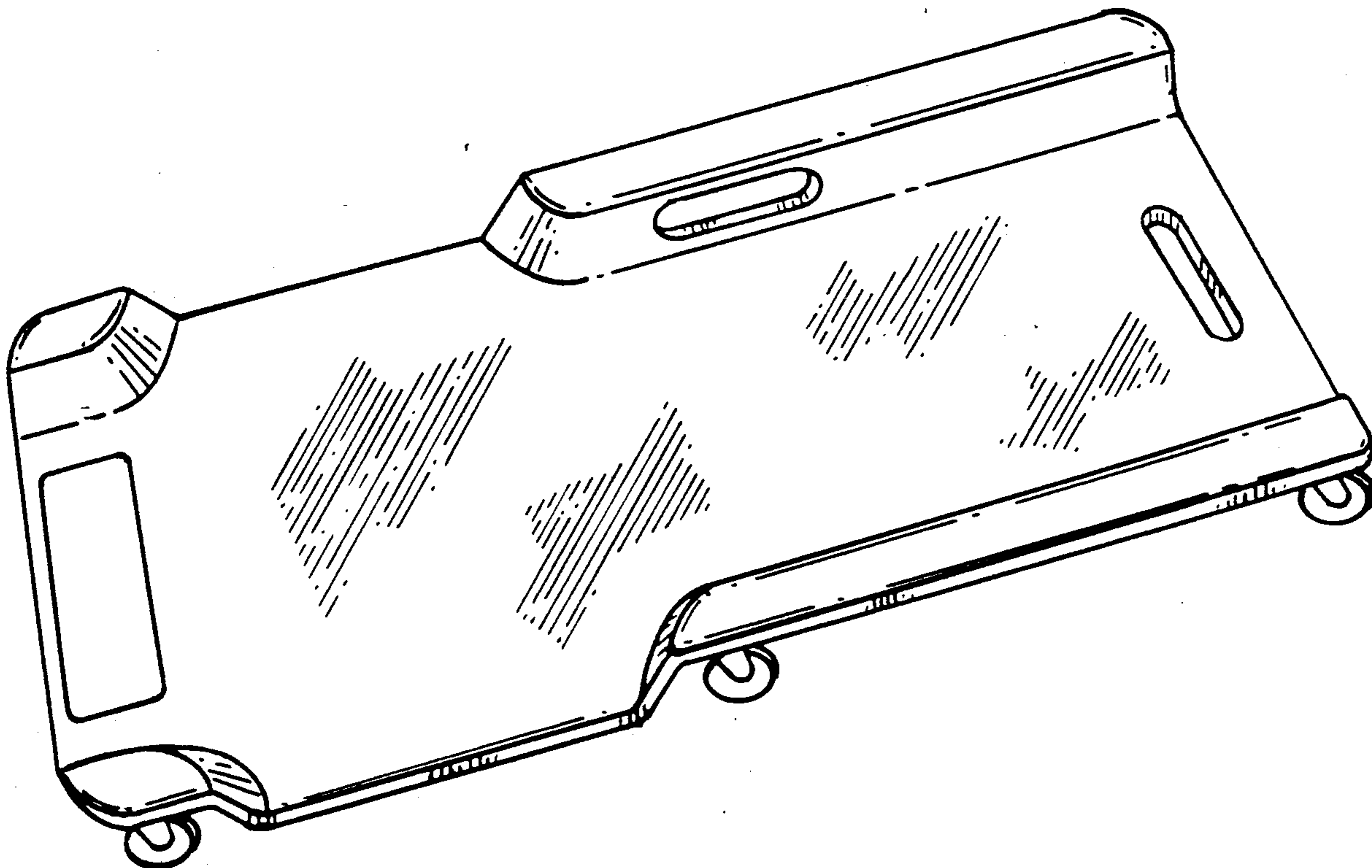
FIG. 2 is a top plan view thereof;

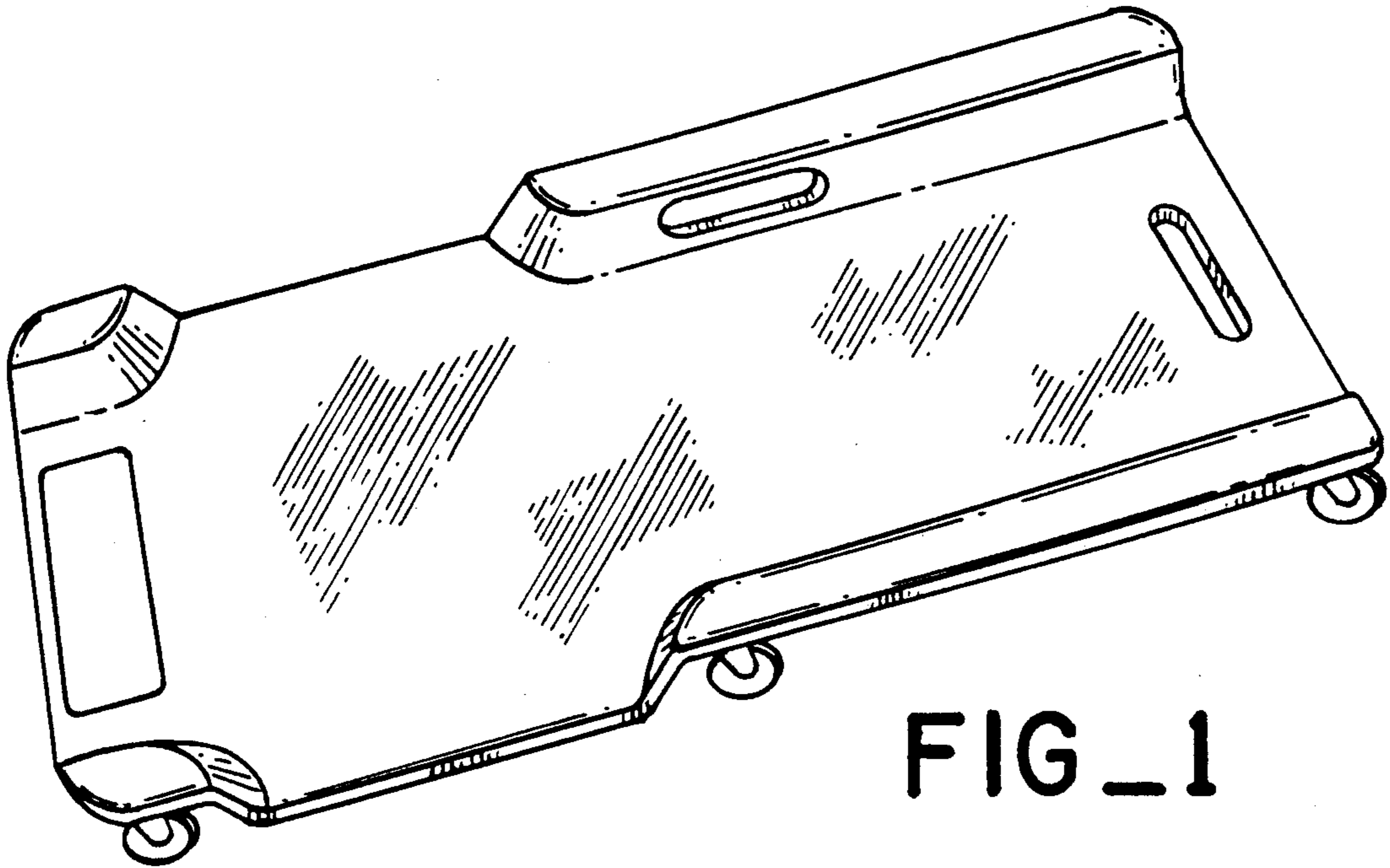
FIG. 3 is a front elevational view thereof;

FIG. 4 is a side elevational view thereof, the opposite side view being a mirror image of that shown;

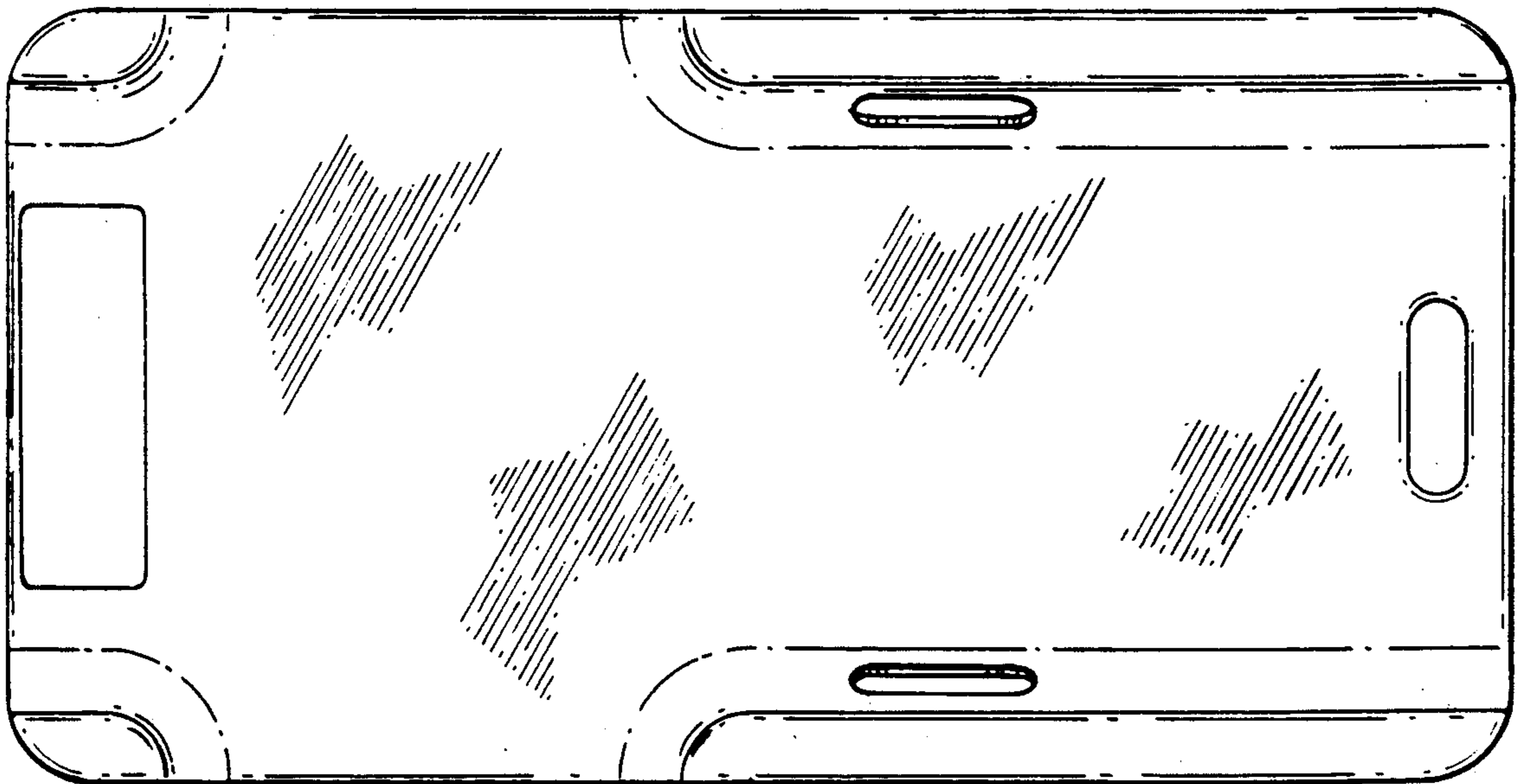
FIG. 5 is a bottom plan view thereof;

FIG. 6 is a cross-sectional view taken on line 6—6 of FIG. 5.

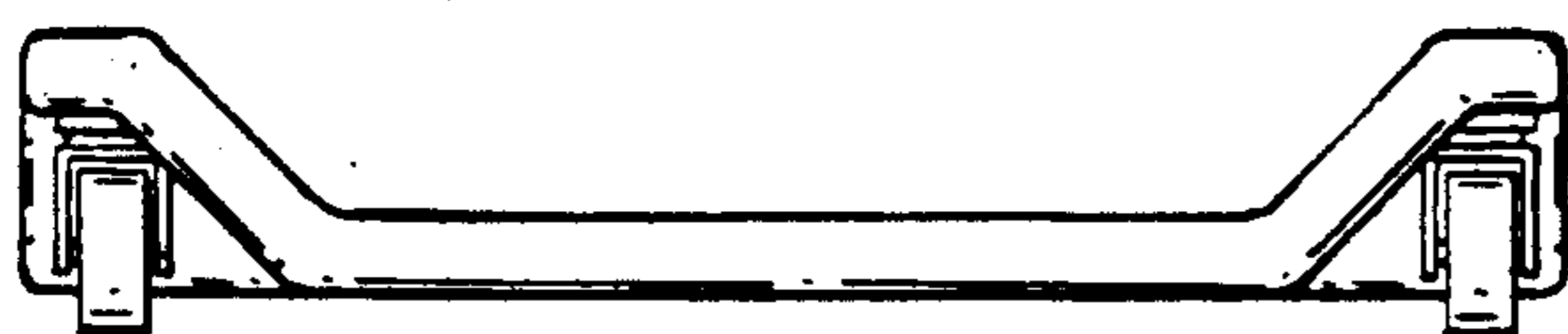




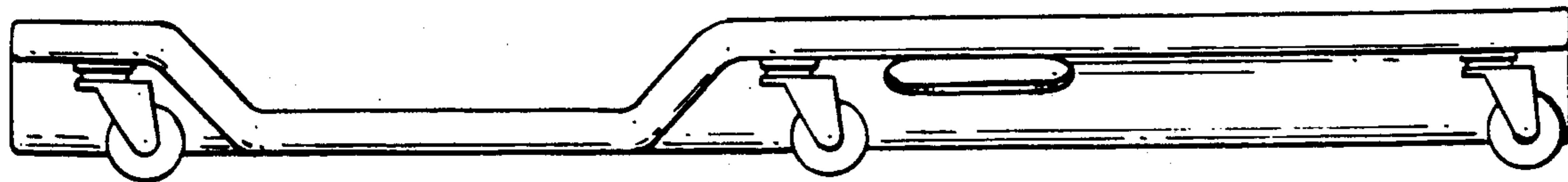
FIG\_1



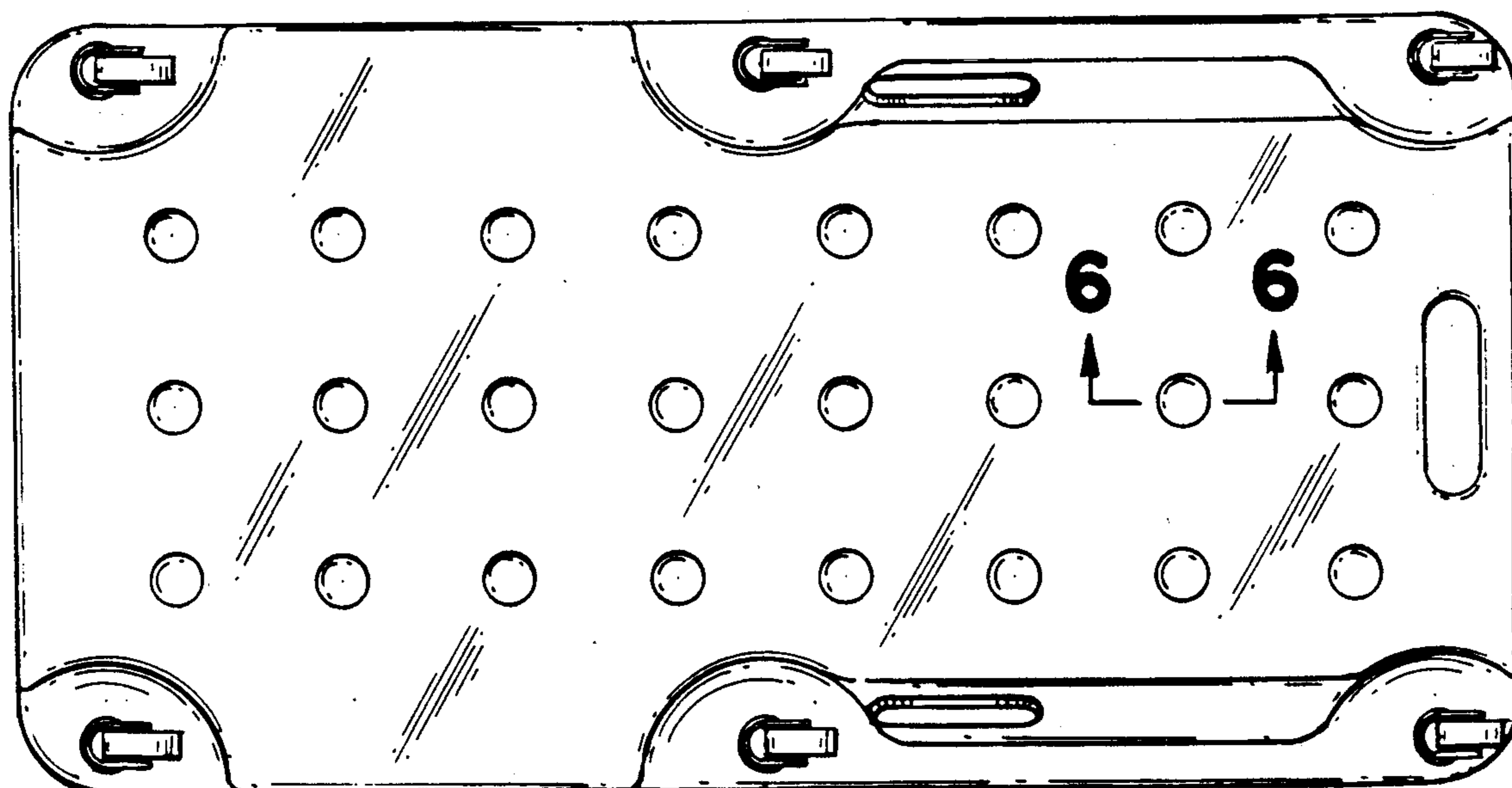
FIG\_2



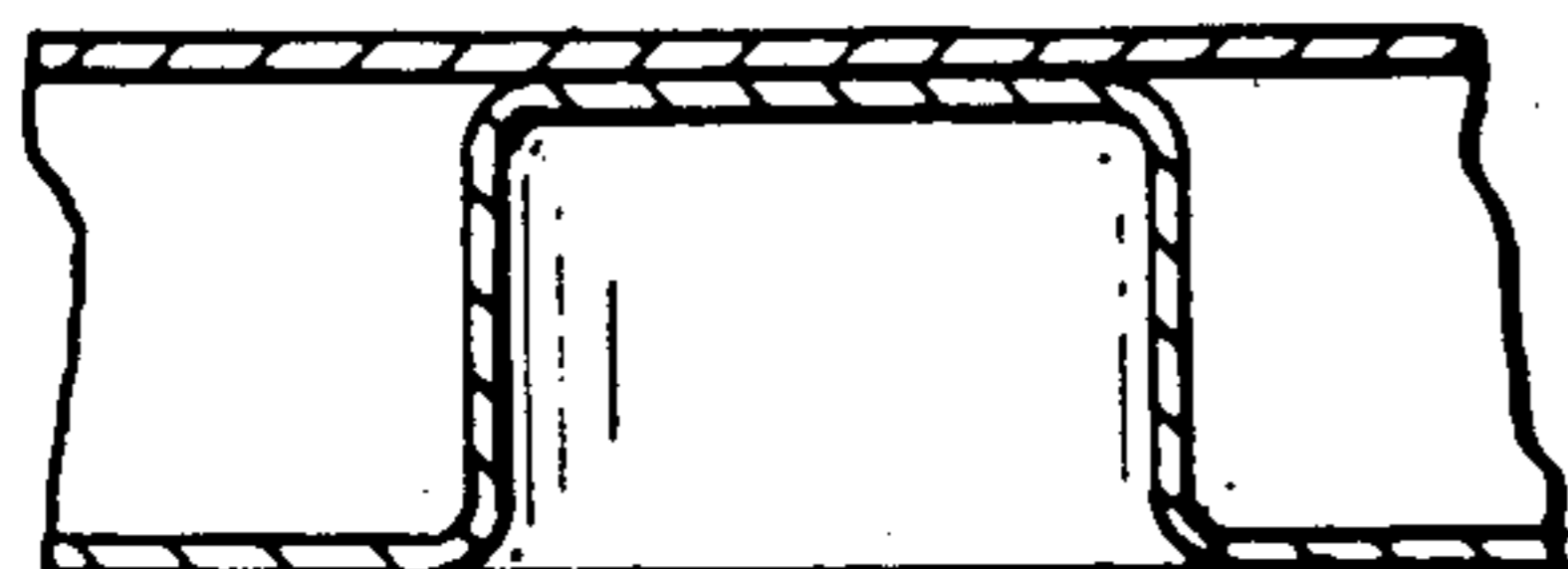
FIG\_3



**FIG\_4**



**FIG\_5**



**FIG\_6**