

United States Patent [19]

Desautel

[11] Patent Number: **Des. 320,483**

[45] Date of Patent: **** Oct. 1, 1991**

[54] **POCKET SCRAPER**

[76] Inventor: **Peter M. Desautel**, Rte. 4, St. Cloud, Minn. 56301

[**] Term: **14 Years**

[21] Appl. No.: **574,915**

[22] Filed: **Aug. 29, 1990**

[52] U.S. Cl. **D32/46**

[58] Field of Search **D4/116, 118; D7/688, D7/696; D8/14, 45, 90; D32/35, 40, 46-49; 15/105, 111, 236.01-236.09; 30/164.6-164.9, 169, 171-172, 340, 342, 344, 346, 348-349, 351, 353, 355, 357; 401/261**

[56] **References Cited**

U.S. PATENT DOCUMENTS

D. 270,105 8/1983 Erickson D32/42
D. 275,723 10/1984 Leininger D7/688

1,887,447 11/1932 Balinger 401/261
3,670,459 6/1972 Welton 15/236.05 X

FOREIGN PATENT DOCUMENTS

376645 5/1964 Switzerland 15/236.08

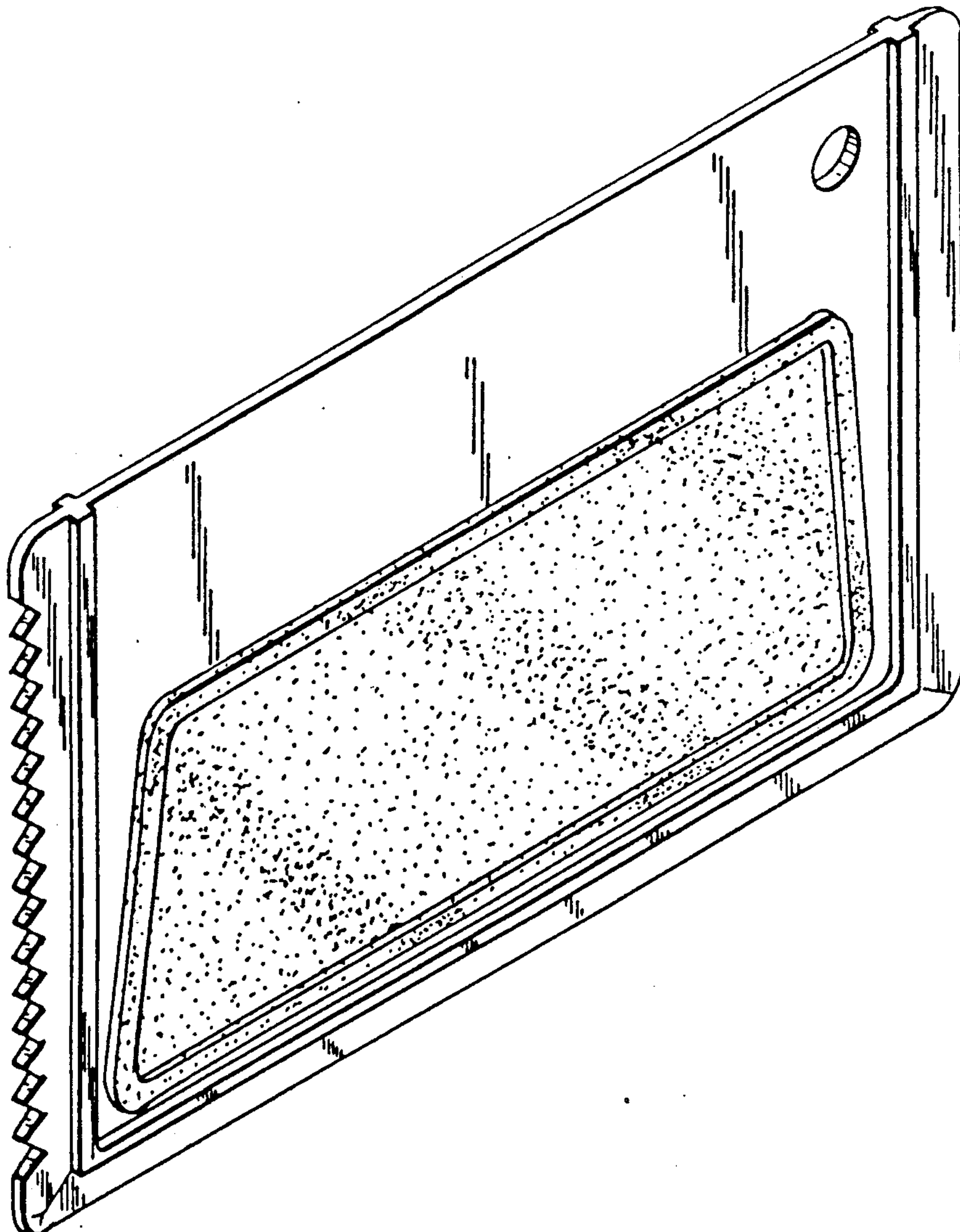
Primary Examiner—Wallace R. Burke
Assistant Examiner—Lavone D. Tabor
Attorney, Agent, or Firm—Gregory P. Kaihoi

[57] **CLAIM**

The ornamental design for a pocket scraper, as shown.

DESCRIPTION

FIG. 1 is a front perspective view of a pocket scraper showing my new design;
FIG. 2 is a left end elevational view thereof;
FIG. 3 is a right end elevational view thereof;
FIG. 4 is a top plan view thereof;
FIG. 5 is a rear elevational view thereof; and
FIG. 6 is a bottom plan view thereof.



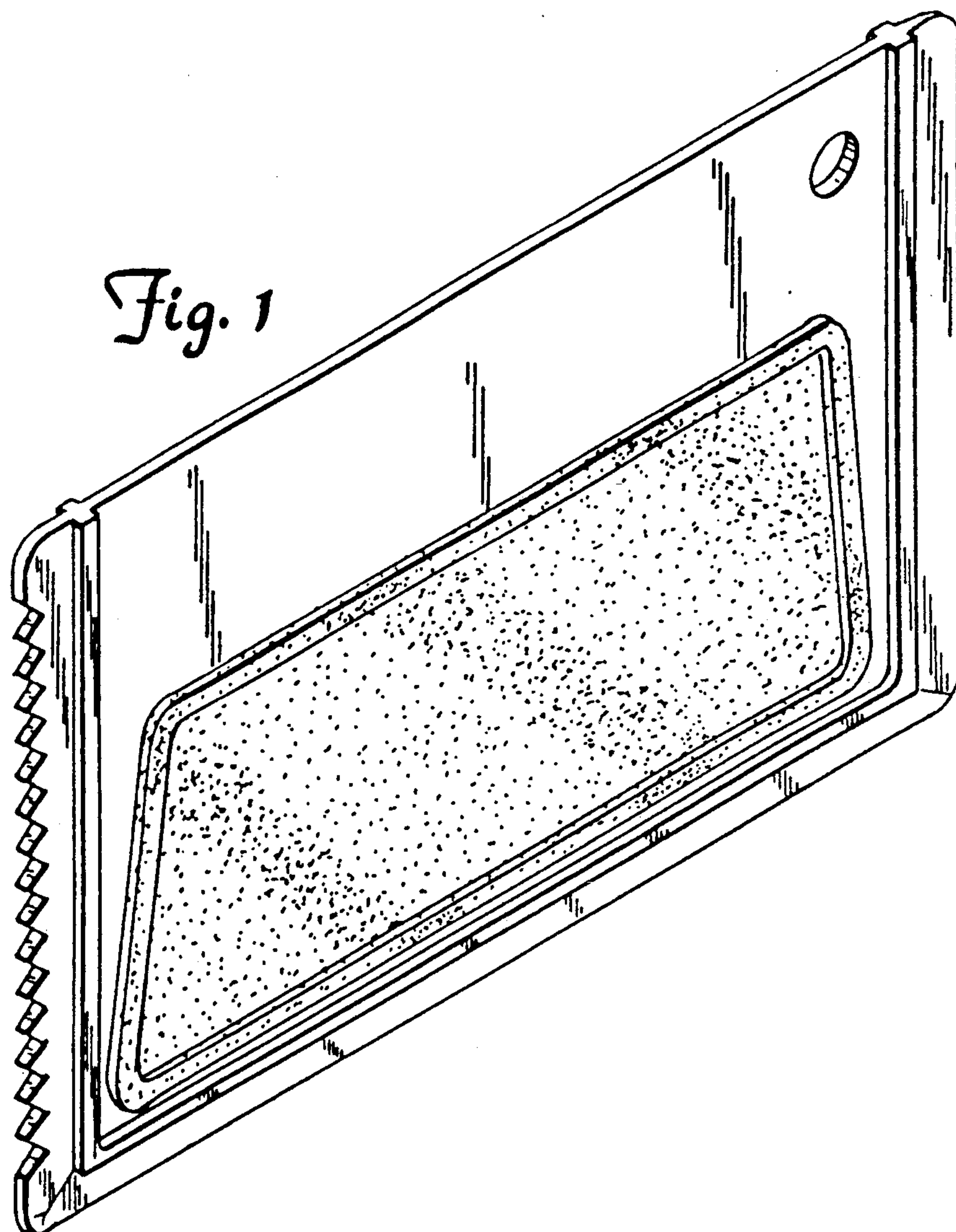


Fig. 2



Fig. 3

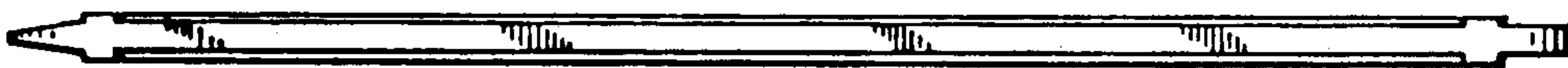


Fig. 4

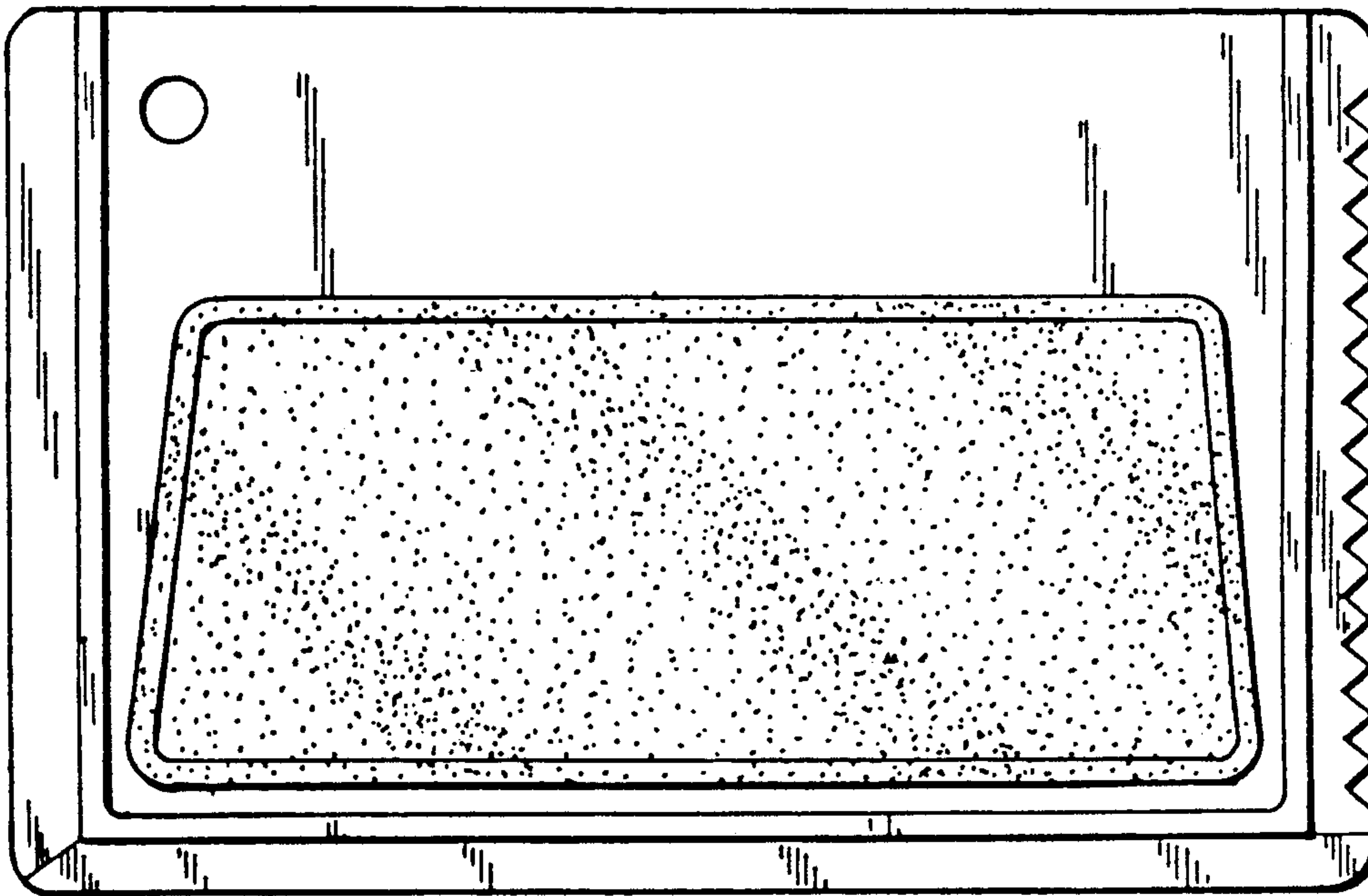


Fig. 5

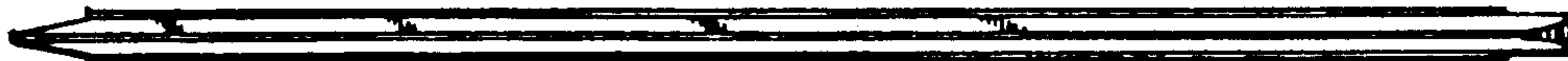


Fig. 6