

[54] TERMITE HABITAT

[76] Inventor: Christopher H. Poehlman, 1020 Jones St., Berkeley, Calif. 94710

[**] Term: 14 Years

[21] Appl. No.: 100,706

[22] Filed: Sep. 24, 1987

[52] U.S. Cl. D30/108; 119/6.5

[58] Field of Search 119/69.5, 69, 6.5, 6; 43/58; D30/108-120, 101; D11/145, 143; D3/76; D19/59, 61, 62; 434/295-297, 19, 20, 22; D6/556

[56] References Cited

U.S. PATENT DOCUMENTS

D. 264,283 5/1982 Robert D11/143
D. 281,279 11/1985 Perkins D11/143

3,769,936 11/1973 Swanson et al. 119/6.5

OTHER PUBLICATIONS

Banks, Nathan, Directions for Collecting & Preserving Insects, 1909, p. 117.

Primary Examiner—Louis S. Zarfes

Assistant Examiner—Demetrius Reynolds

[57] CLAIM

The ornamental design for a termite habitat, as shown.

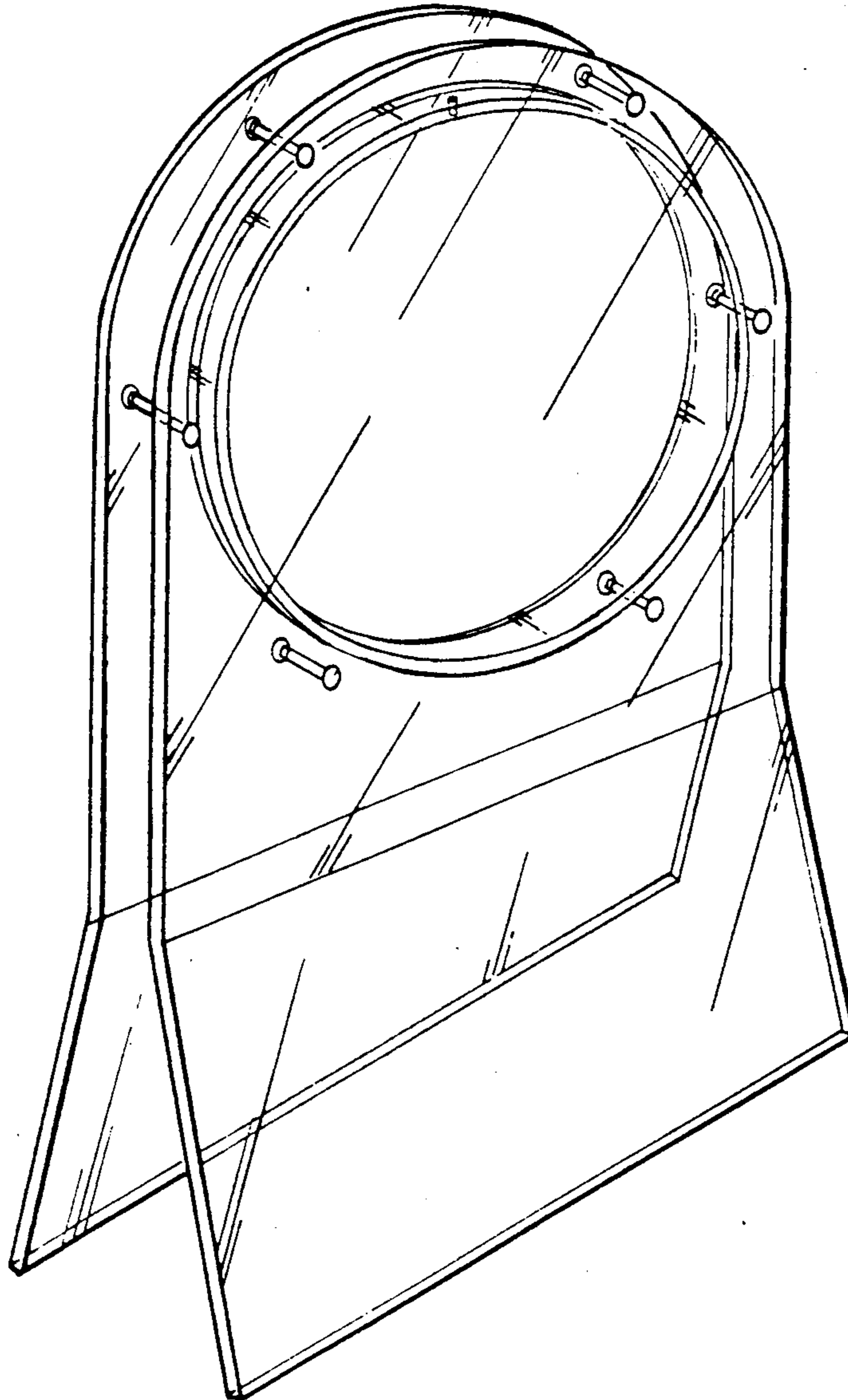
DESCRIPTION

FIG. 1 is a front elevational view of a termite habitat showing my new design;

FIG. 2 is a side elevational view thereof, the opposite side being a mirror image of the side shown;

FIG. 3 is a top plan view thereof; and

FIG. 4 is a perspective view taken from the top, front and left side thereof.



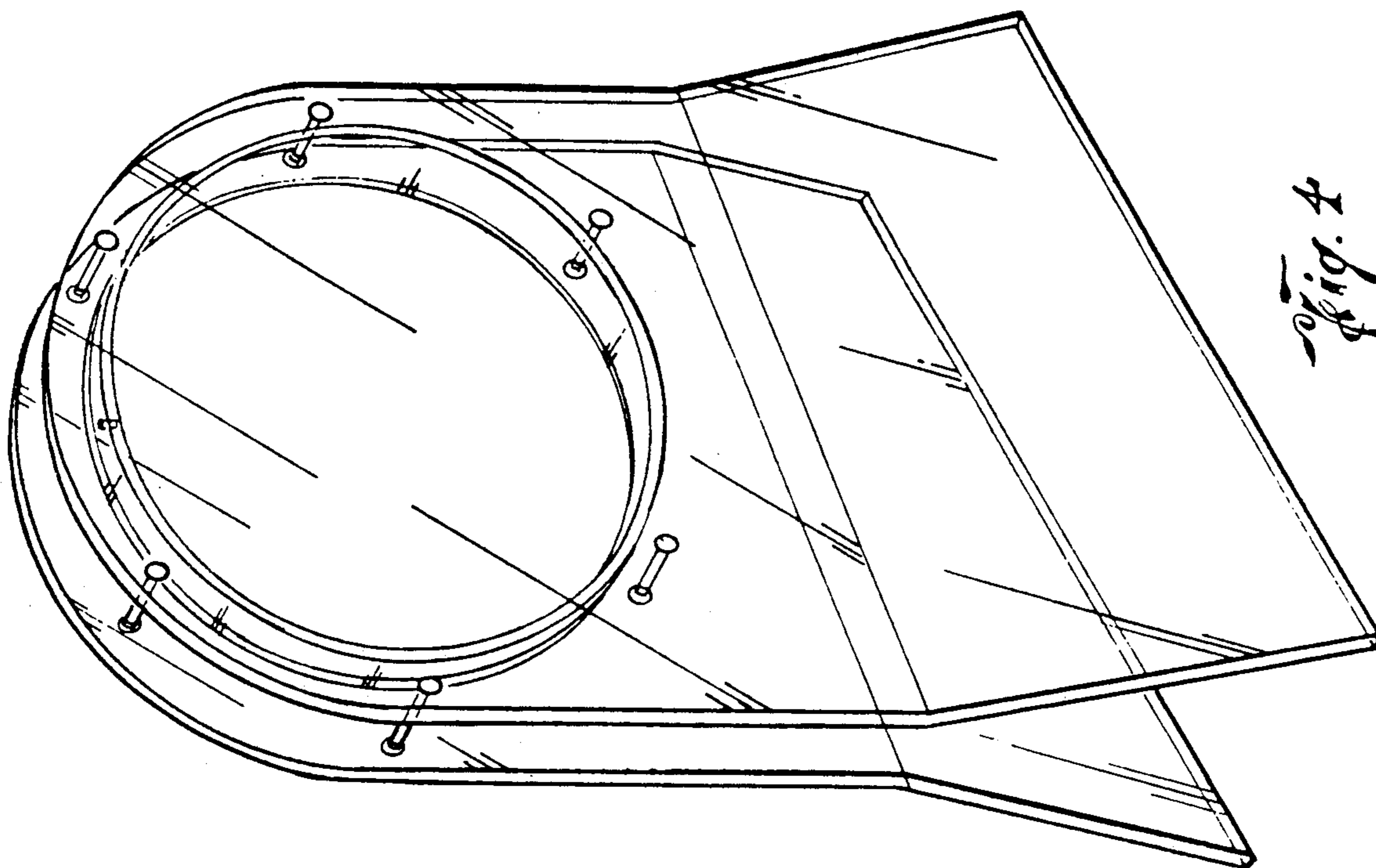


Fig. 4

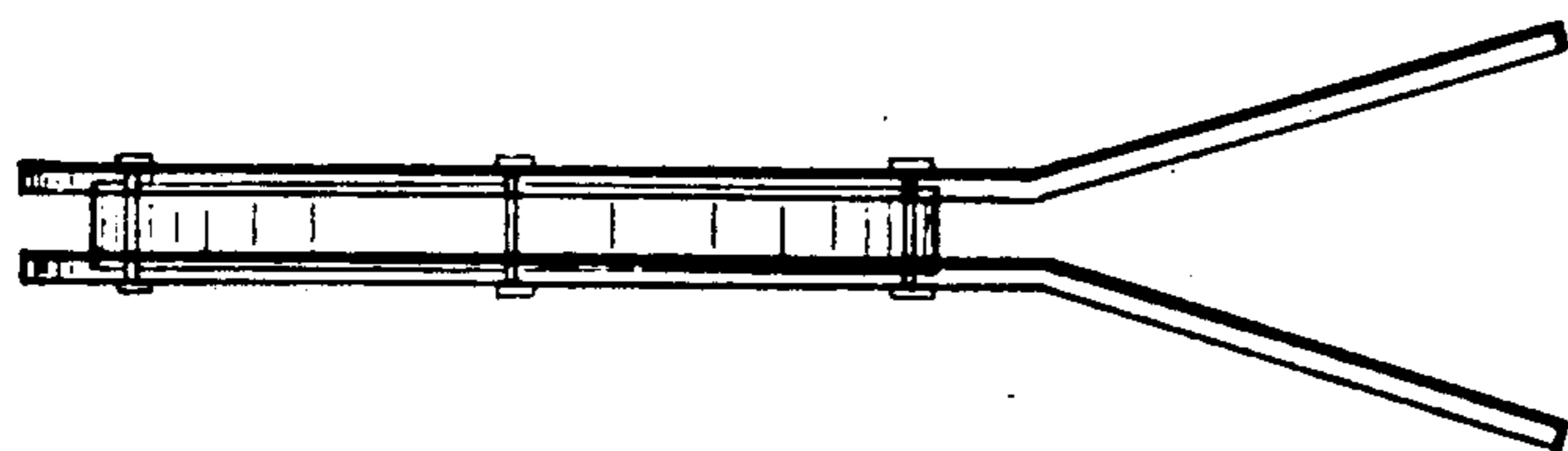


Fig. 2

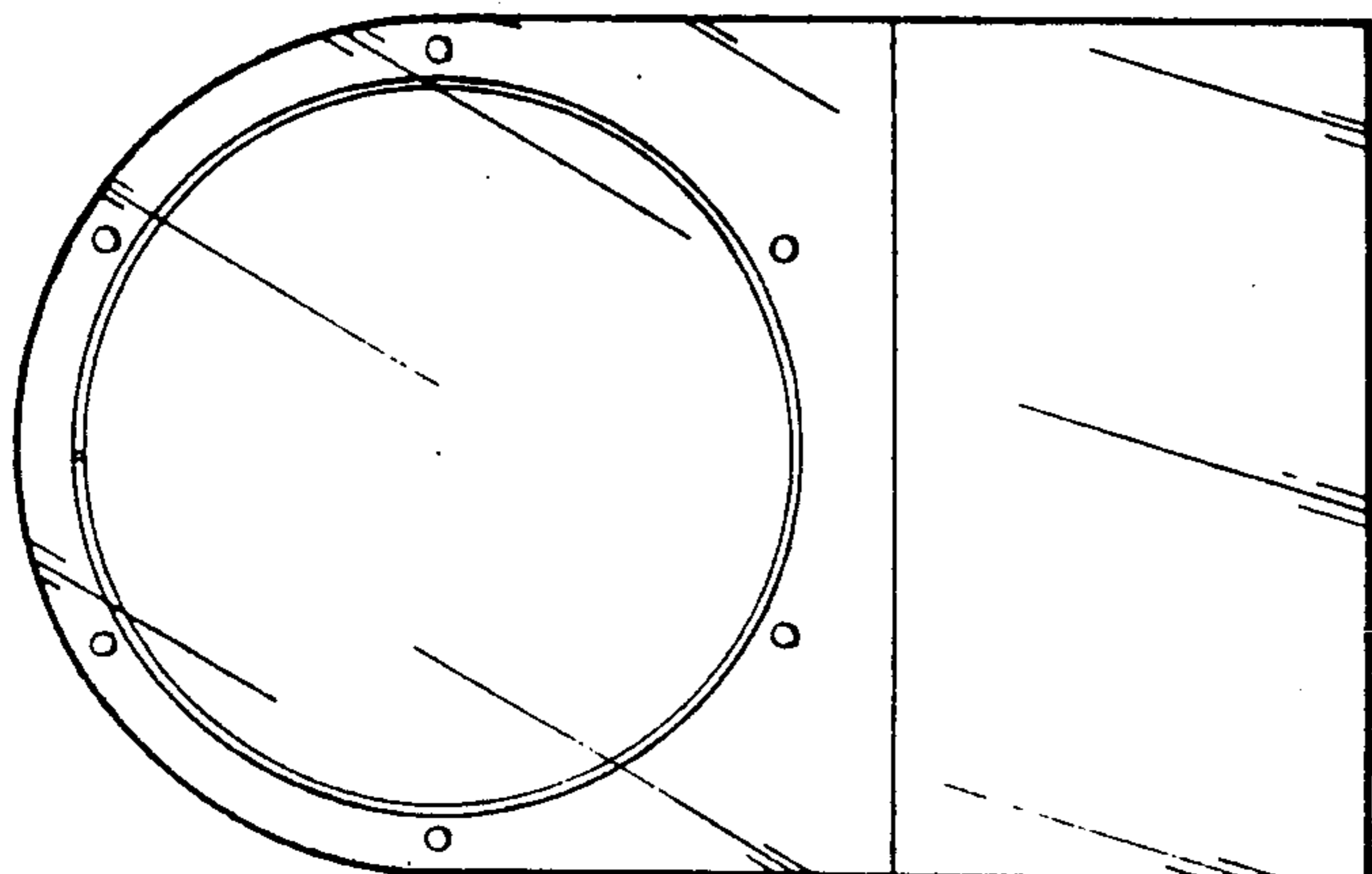


Fig. 1

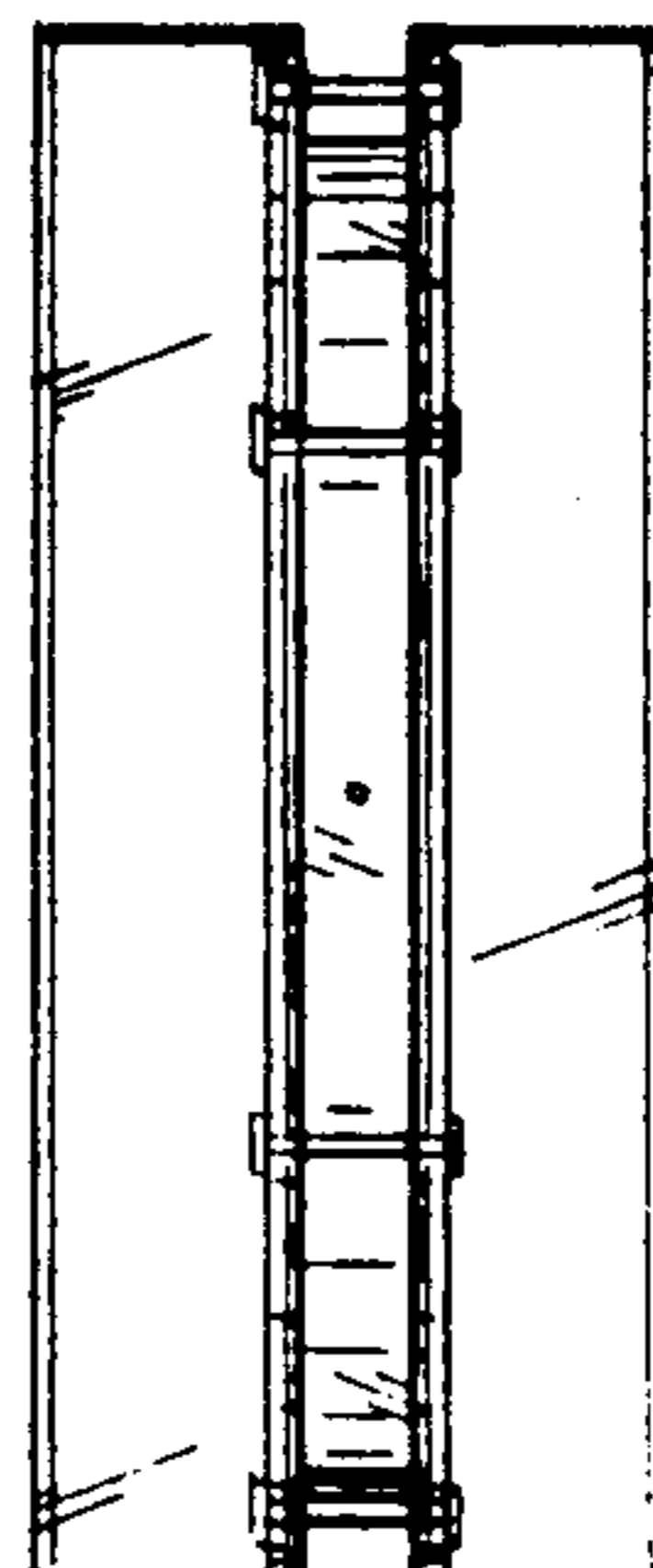


Fig. 3