

United States Patent [19]

Cheval et al.

[11] Patent Number: Des. 320,479

[45] Date of Patent: ** Oct. 1, 1991

- [54] SHELTER FOR AN ANIMAL
- [75] Inventors: **Benoît Cheval**, Saverne; **Paul Sigwalt**, Drulingen, both of France
- [73] Assignee: **Sotralentz**, Drulingen, France
- [**] Term: **14 Years**
- [21] Appl. No.: **51,009**
- [22] Filed: **May 15, 1987**

- [30] Foreign Application Priority Data
- Nov. 17, 1986 [FR] France 0000401
- [52] U.S. Cl. **D30/108**
- [58] Field of Search **D25/4, 56, 16, 7, 22;**
D21/253, 114; D22/199; D30/108, 109, 112,
114, 117-120, 161; 135/87, 102, 106, 117, 118,
901; 43/114, 134, 1, 2; 119/15-17, 19, 1; 52/64;
446/476, 478

- [56] **References Cited**
- U.S. PATENT DOCUMENTS**
- 201,413 3/1878 Harkness 119/19
- D. 223,705 5/1972 McCutcheon et al. D25/16
- D. 245,190 7/1977 Higo D30/108
- D. 255,723 7/1980 Anderson D30/108
- 2,460,662 2/1949 Van Voorhis 119/15
- 2,538,778 1/1951 Halpin D30/109
- 2,830,606 4/1958 Daugherty 119/15

4,729,343 3/1988 Evans 119/19

FOREIGN PATENT DOCUMENTS

217717 9/1962 Japan D30/109

OTHER PUBLICATIONS

Better Homes & Garden; Jul. 1980; p. 89; Igloo Playhouse.
 Sporting Goods Leather; Jul. 1936; p. 95; Portable Dog Kennel.

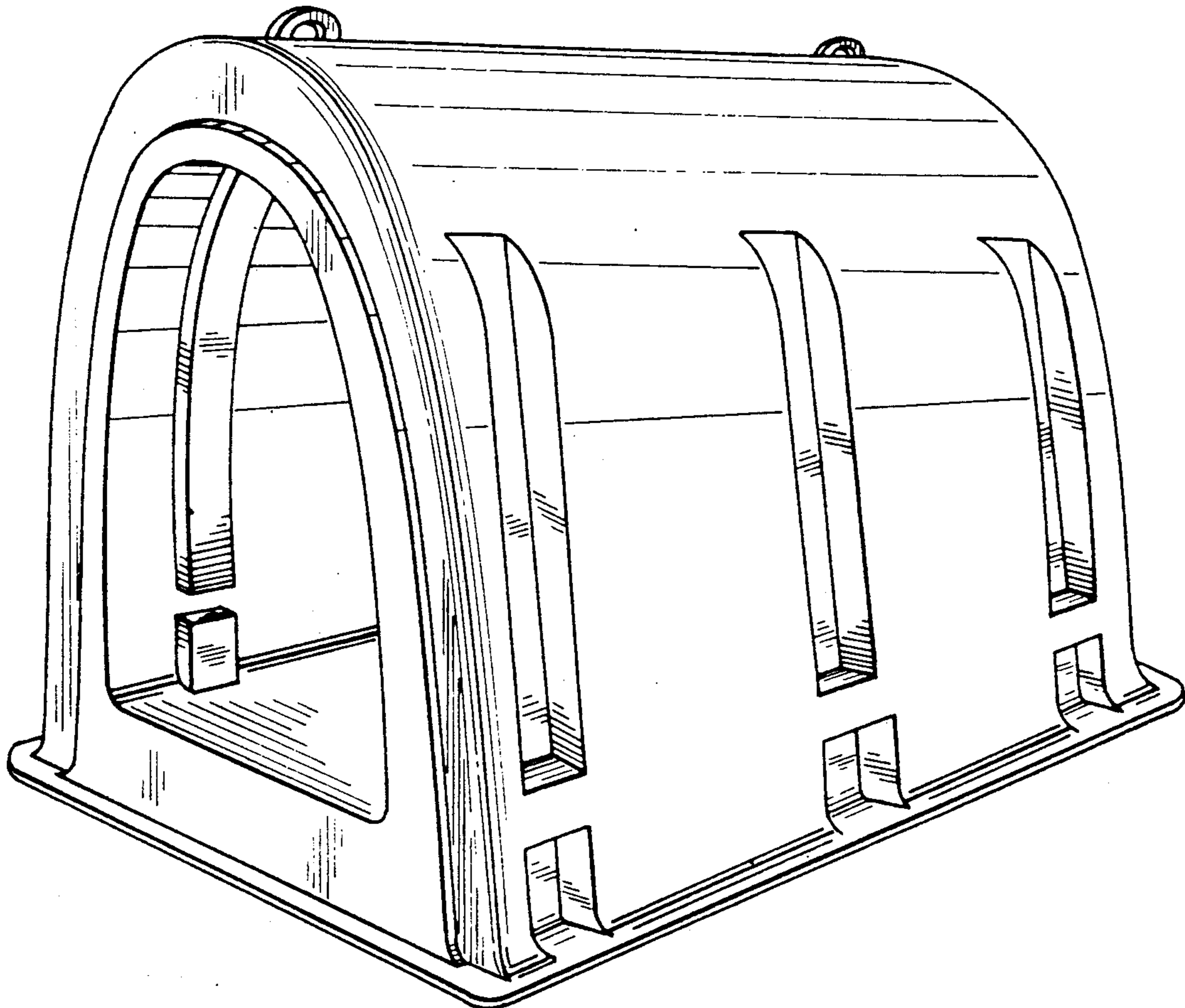
Primary Examiner—James R. Largen
Assistant Examiner—Cathy Anne MacCormac
Attorney, Agent, or Firm—Schwartz & Weinrieb

[57] CLAIM

The ornamental design for the animal shelter, as shown and described.

DESCRIPTION

FIG. 1 is a front perspective view of an animal shelter showing our new design;
 FIG. 2 is a top plan view thereof;
 FIG. 3 is a front elevational view thereof;
 FIG. 4 is a left side elevational view thereof, the right side being a mirror image of the left side shown;
 FIG. 5 is a rear elevational view thereof; and
 FIG. 6 is a bottom plan view thereof with the floor removed.



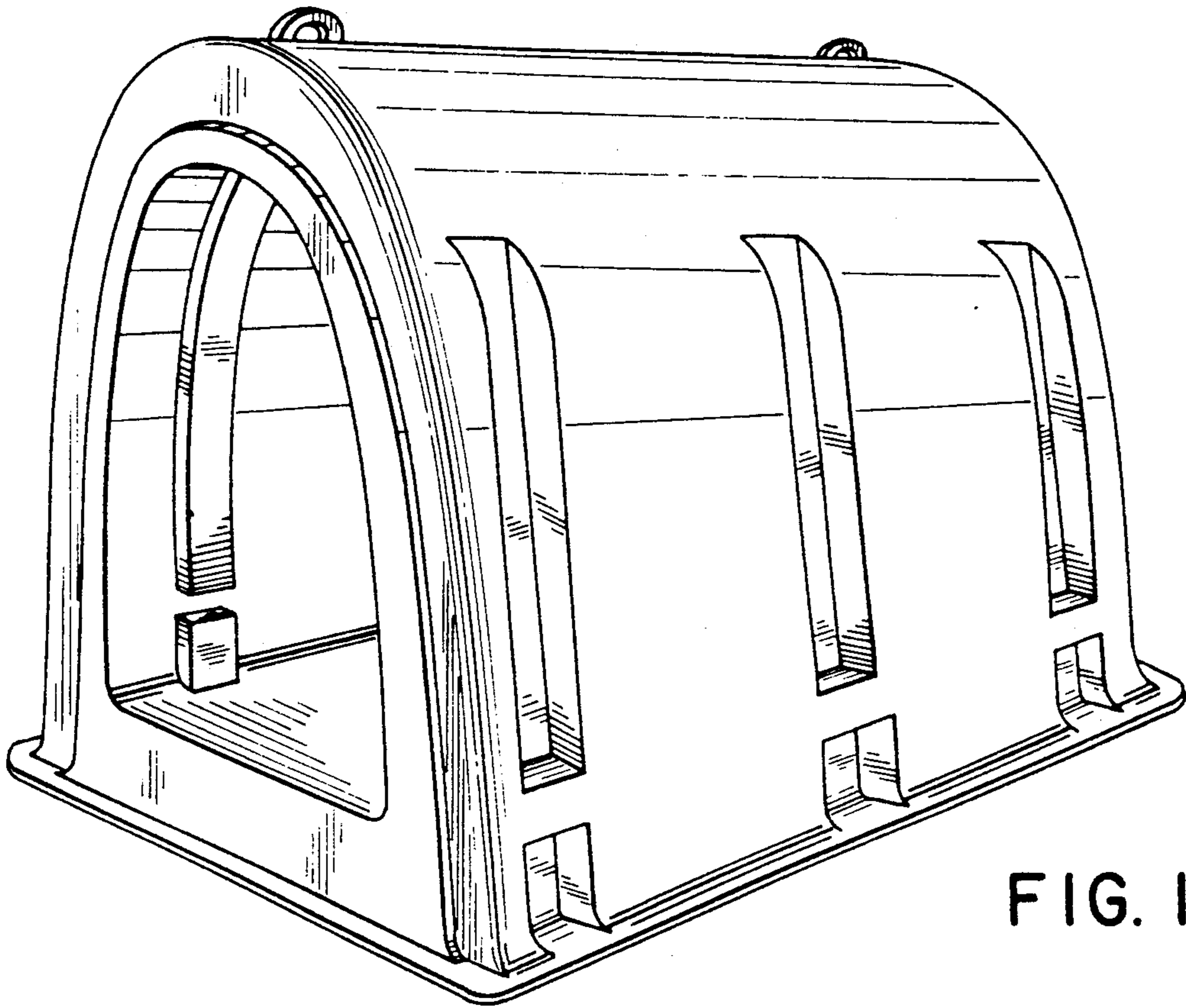


FIG. 1

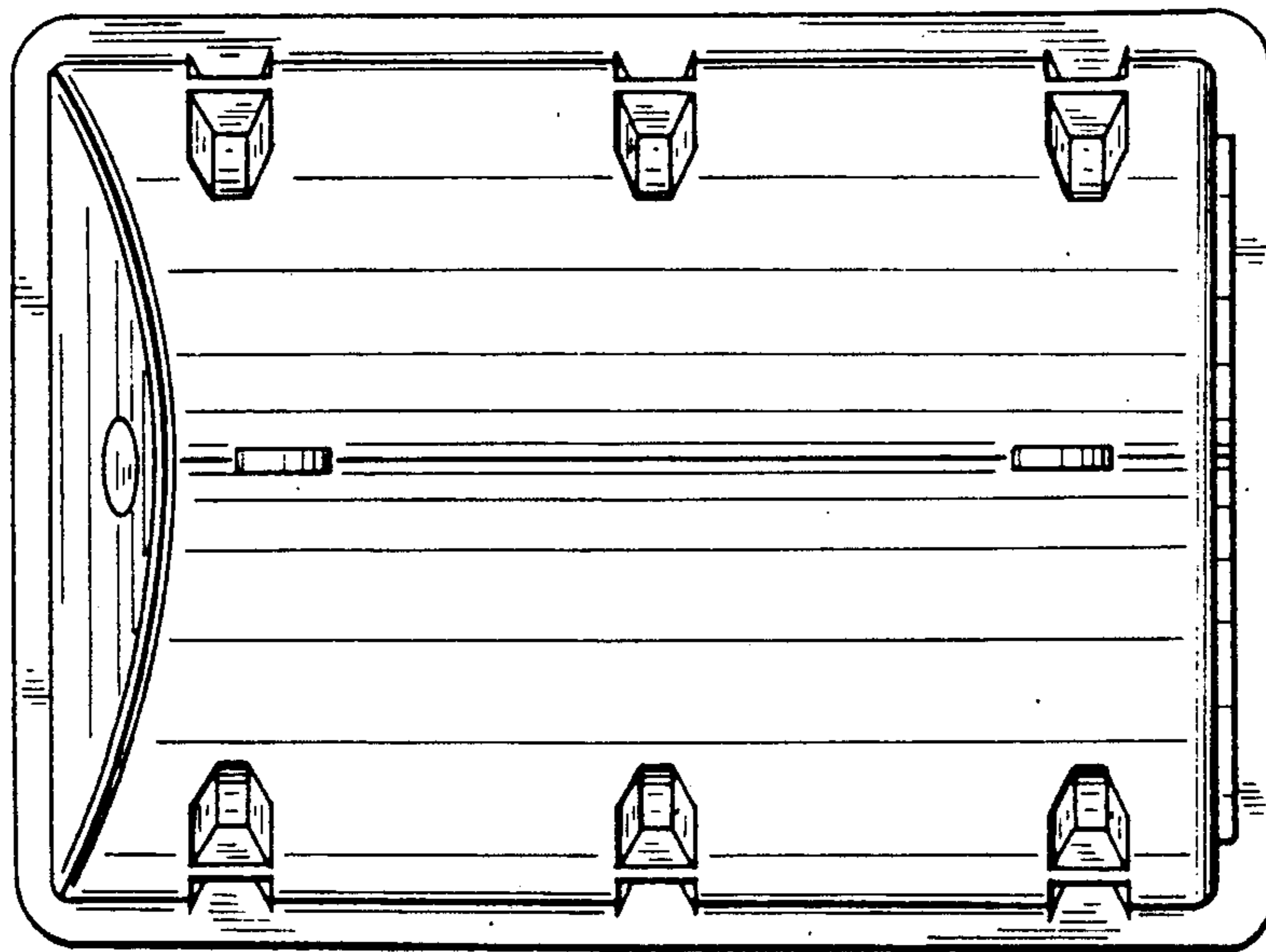


FIG. 2

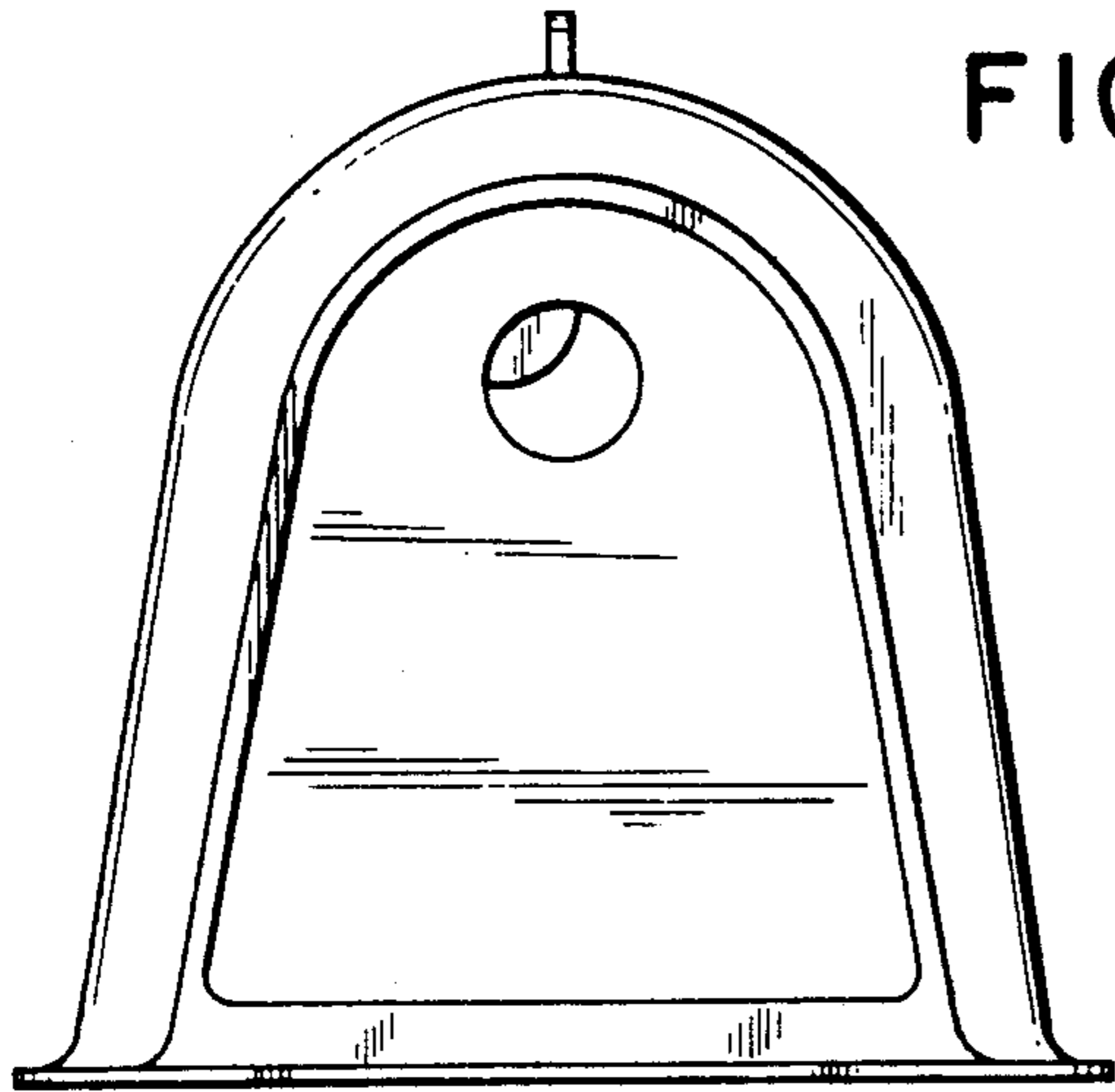


FIG. 3

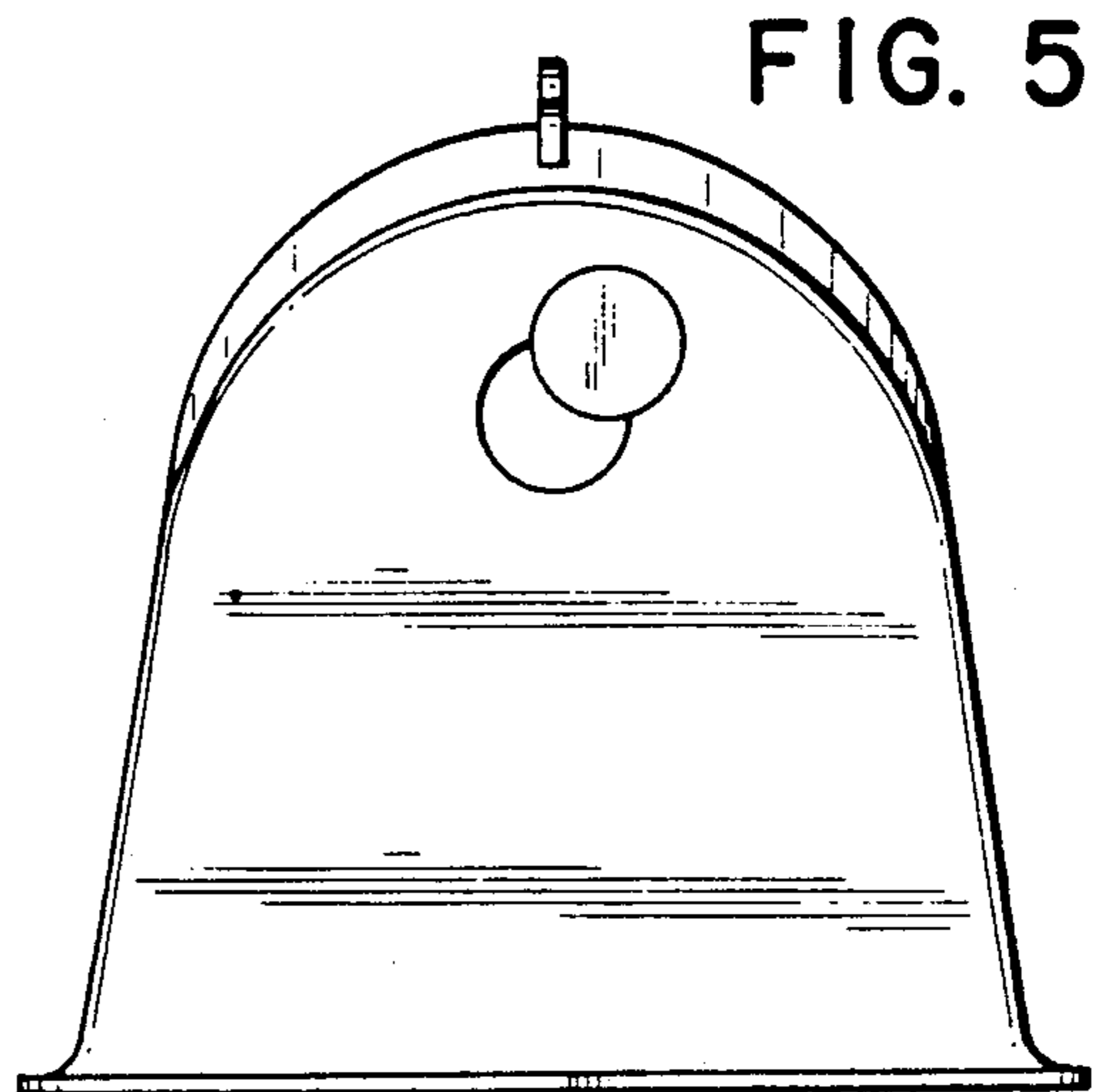


FIG. 5

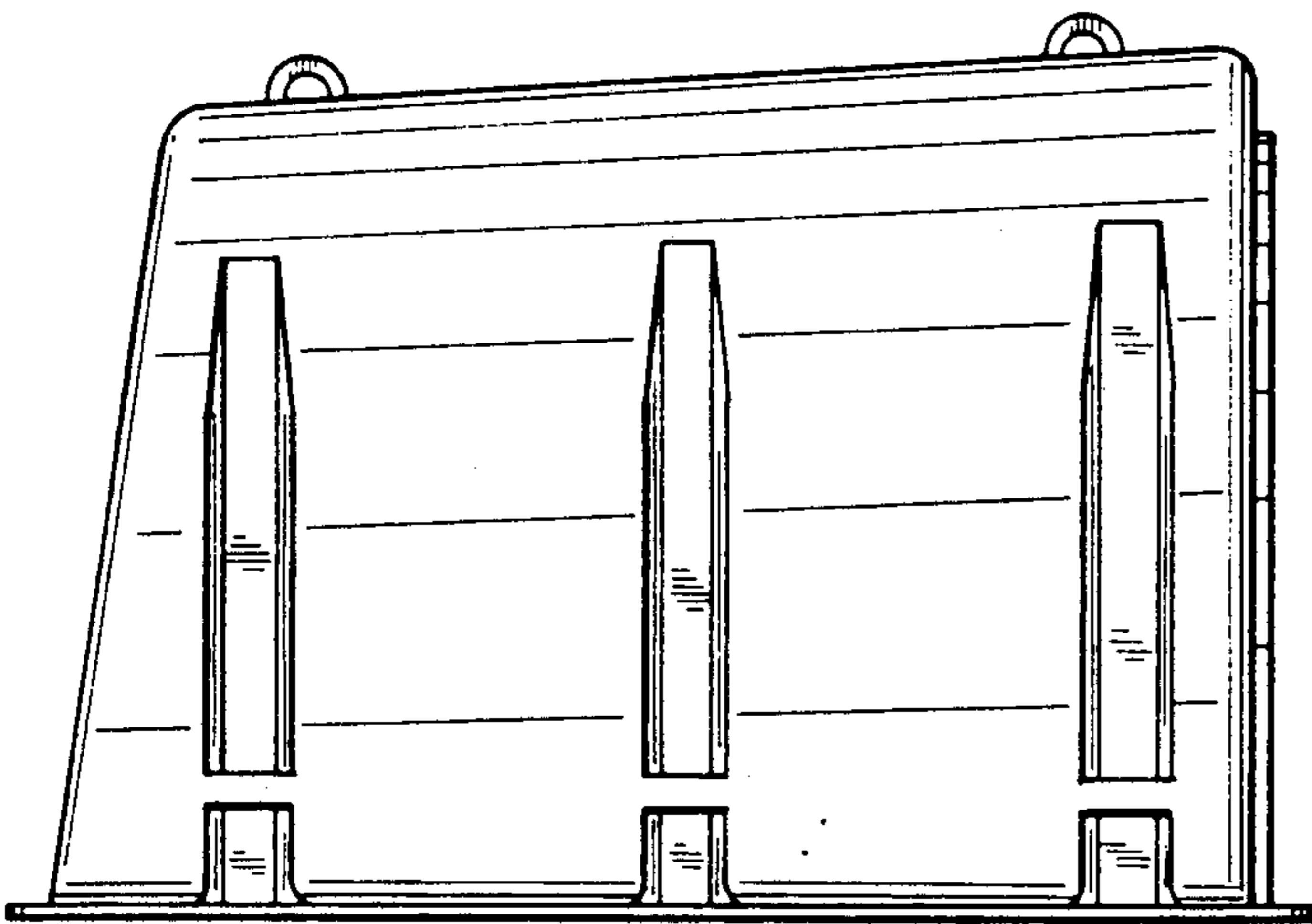


FIG. 4

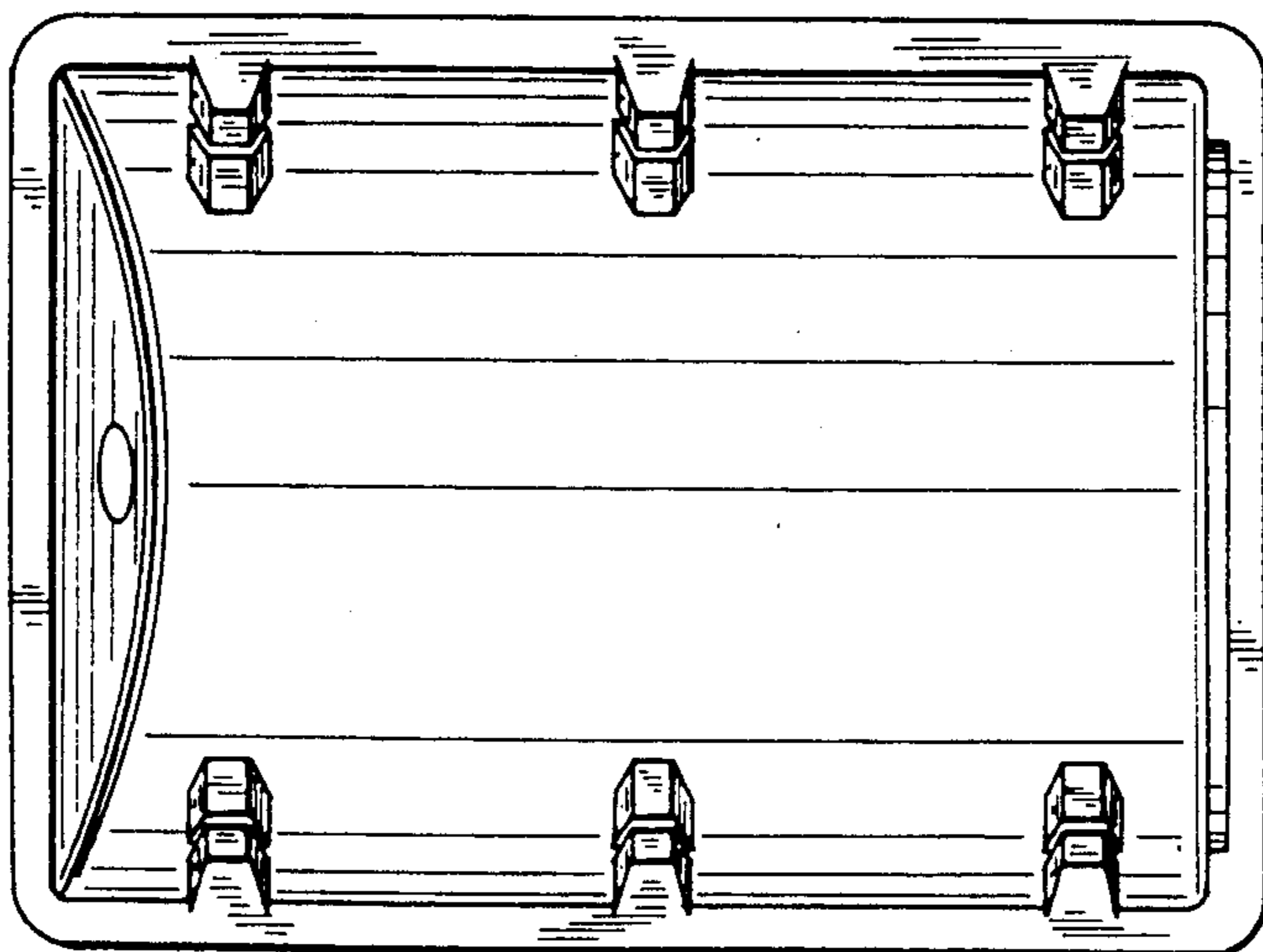


FIG. 6