

[54] LIGHTER OR THE LIKE

[75] Inventor: Kaname Ichikawa, Tokyo, Japan

[73] Assignee: Modern Royal Co., Ltd., Tokyo, Japan

[**] Term: 14 Years

[21] Appl. No.: 604,004

[22] Filed: Oct. 26, 1990

[30] Foreign Application Priority Data

Aug. 31, 1990 [JP] Japan 2-29061

[52] U.S. Cl. D27/159

[58] Field of Search D27/139, 155, 159; 431/124-144; 206/264

[56] References Cited

U.S. PATENT DOCUMENTS

D. 143,295	12/1945	Fisher	D27/159
D. 206,898	2/1967	Ensign	D27/159
D. 290,525	6/1987	Ichikawa	D27/148
1,700,021	1/1929	Bruckmann	431/137 X
2,423,567	7/1947	Sherman	431/124
2,814,190	11/1957	Bryant	431/124 X
3,533,550	10/1970	Petersen	206/264 X

FOREIGN PATENT DOCUMENTS

542102 12/1931 Fed. Rep. of Germany 431/143

OTHER PUBLICATIONS

Continental Catalog, 1950, p. 82, lighter, item F in middle of page—left end.

Form, Jan. 1982, p. 70, lighter, located in upper left-hand corner.

Primary Examiner—Wallace R. Burke

Assistant Examiner—Holly H. Baynham

Attorney, Agent, or Firm—Oblon, Spivak, McClelland, Maier & Neustadt

[57] CLAIM

The ornamental design for a lighter or the like, as shown and described.

DESCRIPTION

FIG. 1 is a top perspective view of a lighter or the like showing my new design;

FIG. 2 is a front elevational view thereof;

FIG. 3 is a rear elevational view thereof;

FIG. 4 is a right side elevational view thereof;

FIG. 5 is a left side elevational view thereof;

FIG. 6 is a top plan view thereof;

FIG. 7 is a bottom plan view thereof;

FIG. 8 is a rear elevational view thereof with the lid open;

FIG. 9 is a right side elevational view thereof with the lid open; and

FIG. 10 is a top plan view thereof with the lid open.

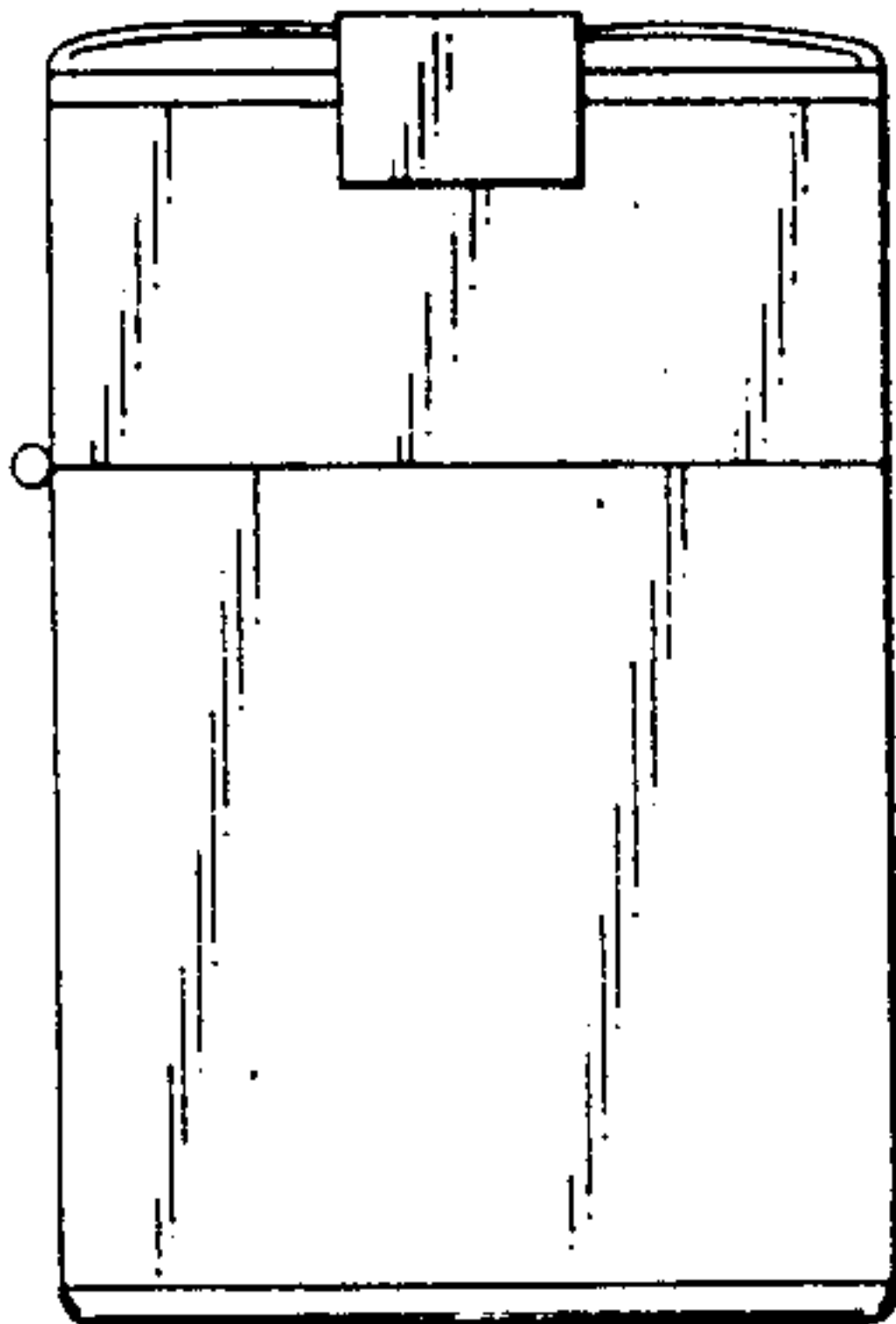
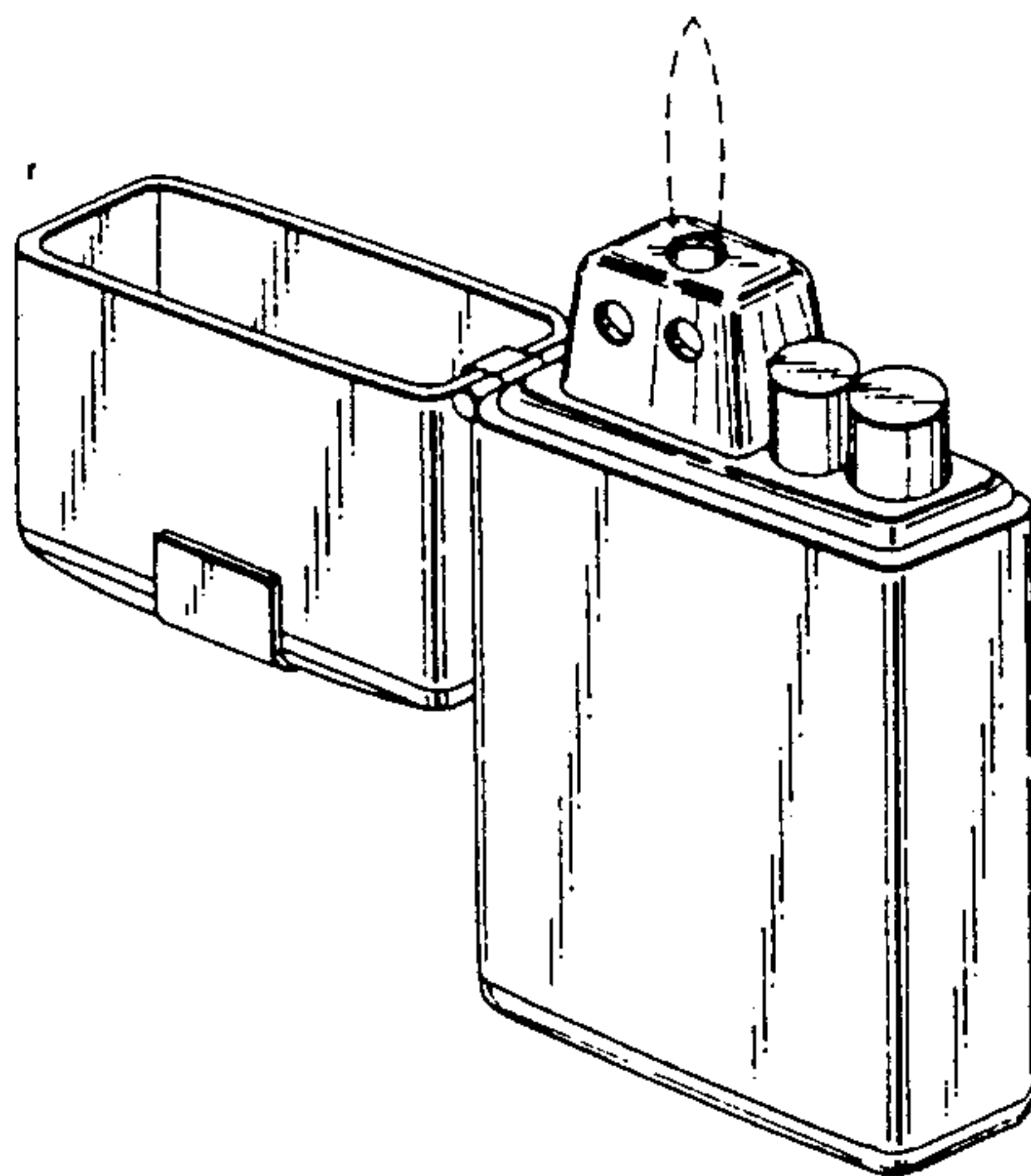


FIG. 1

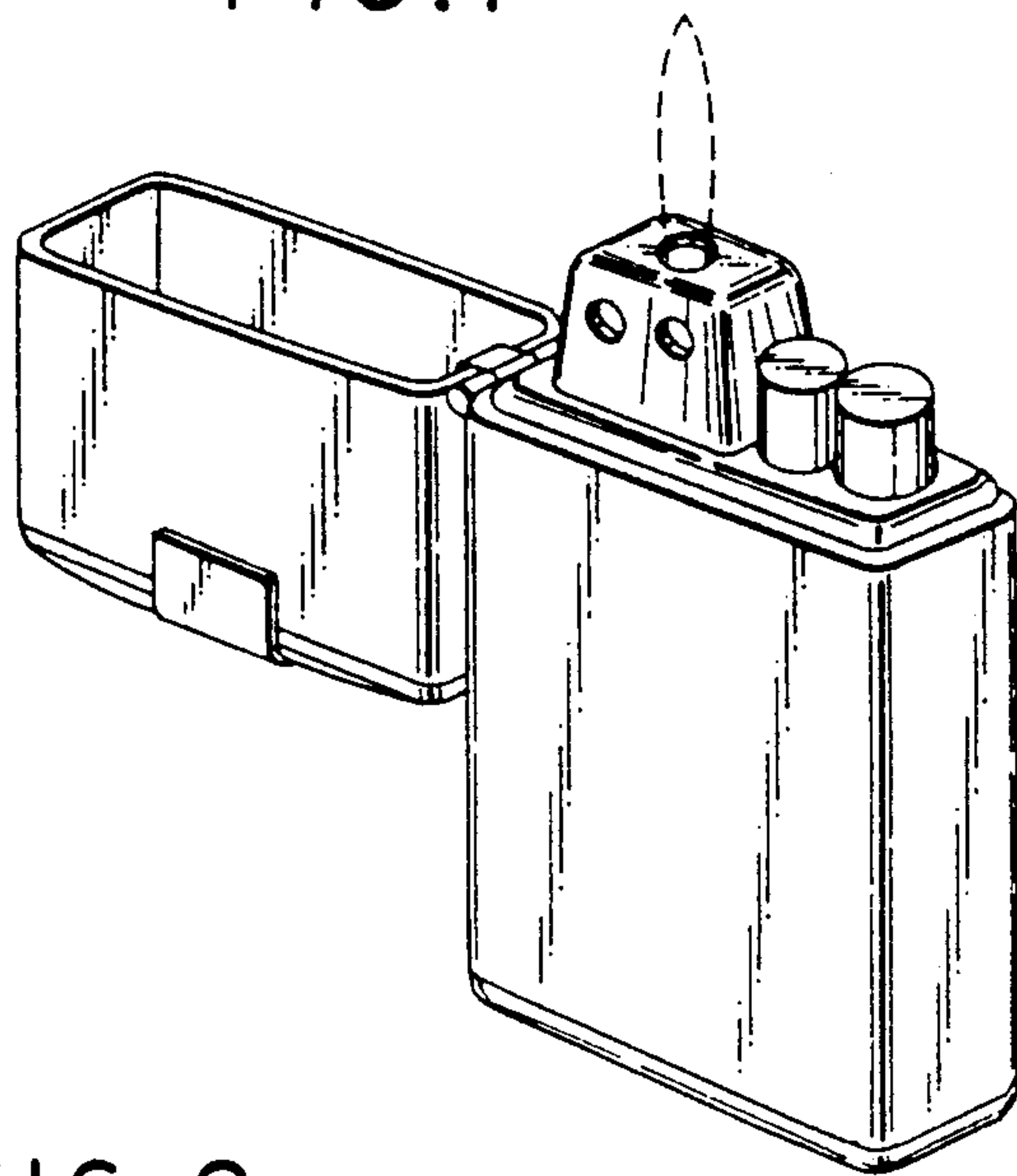


FIG. 2

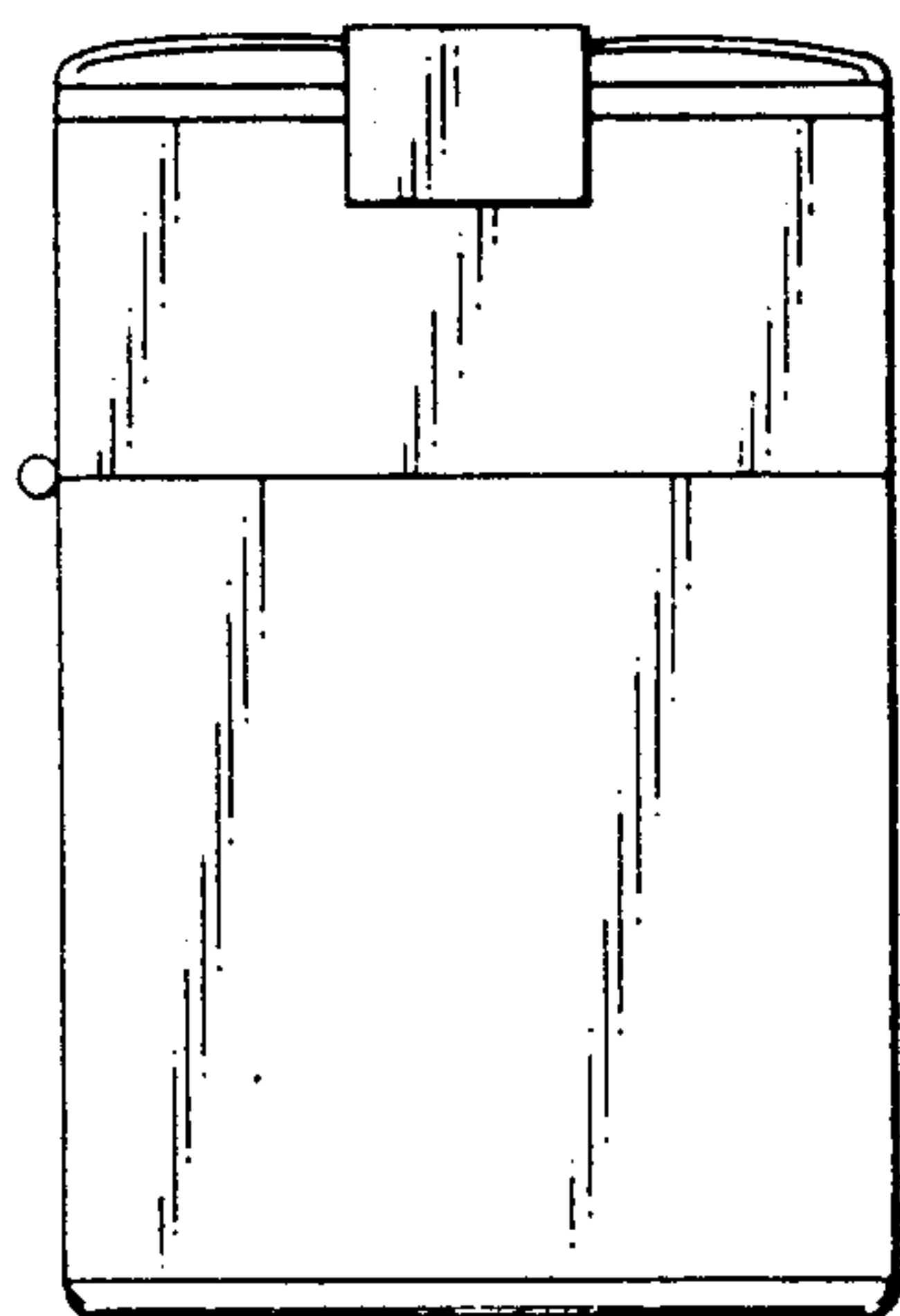


FIG. 3

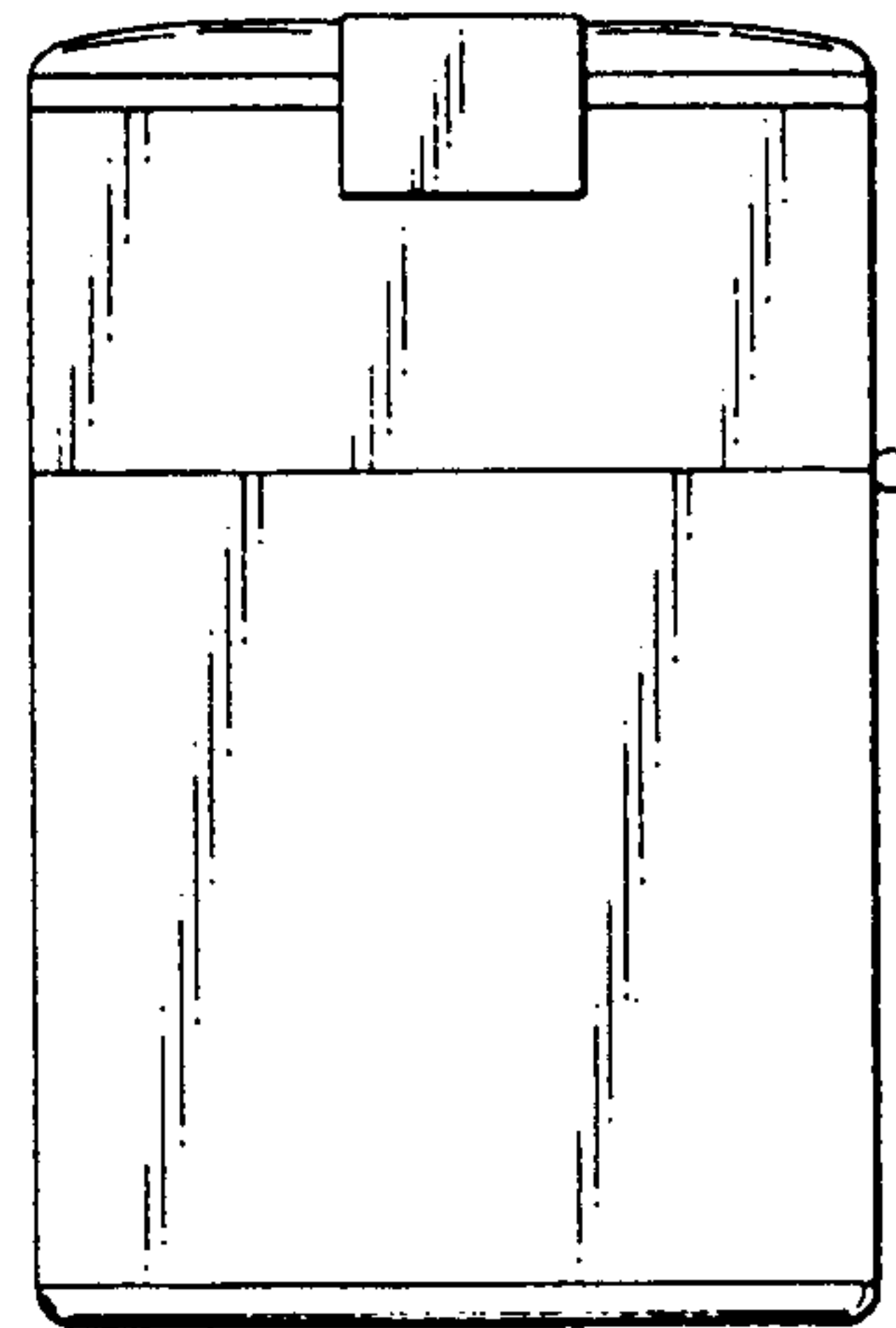


FIG. 4

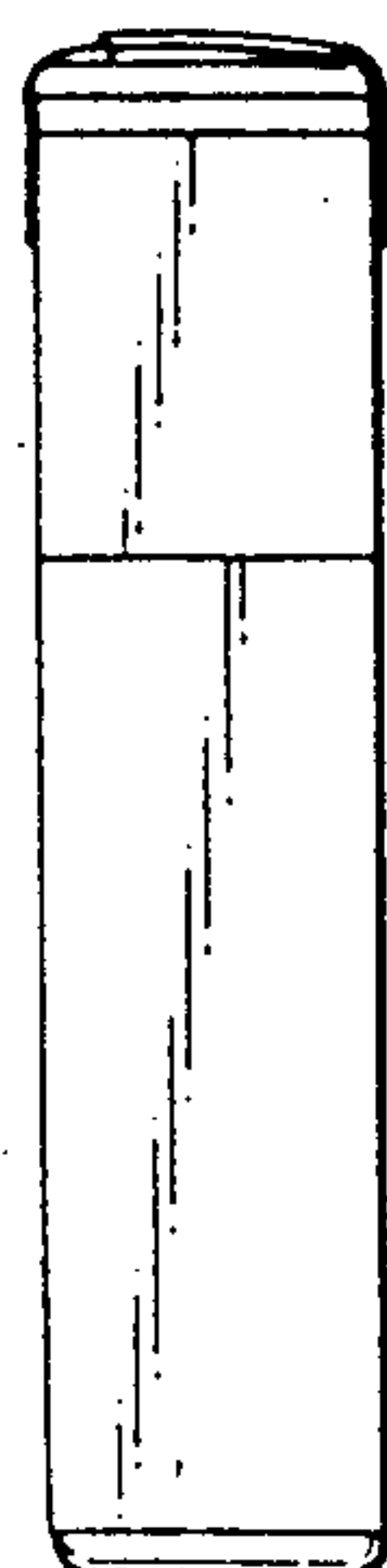


FIG. 5



FIG. 6

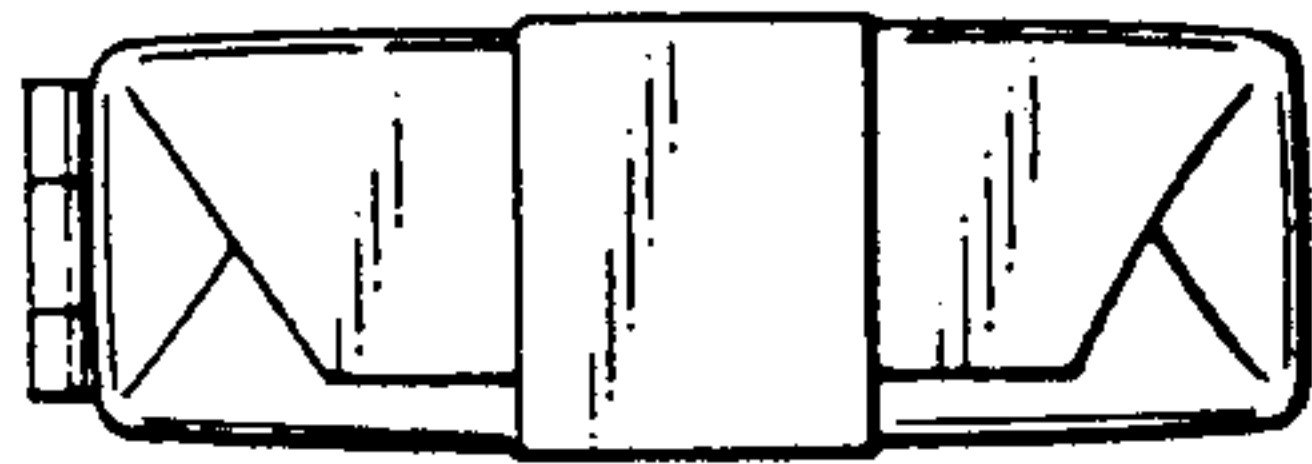


FIG. 7

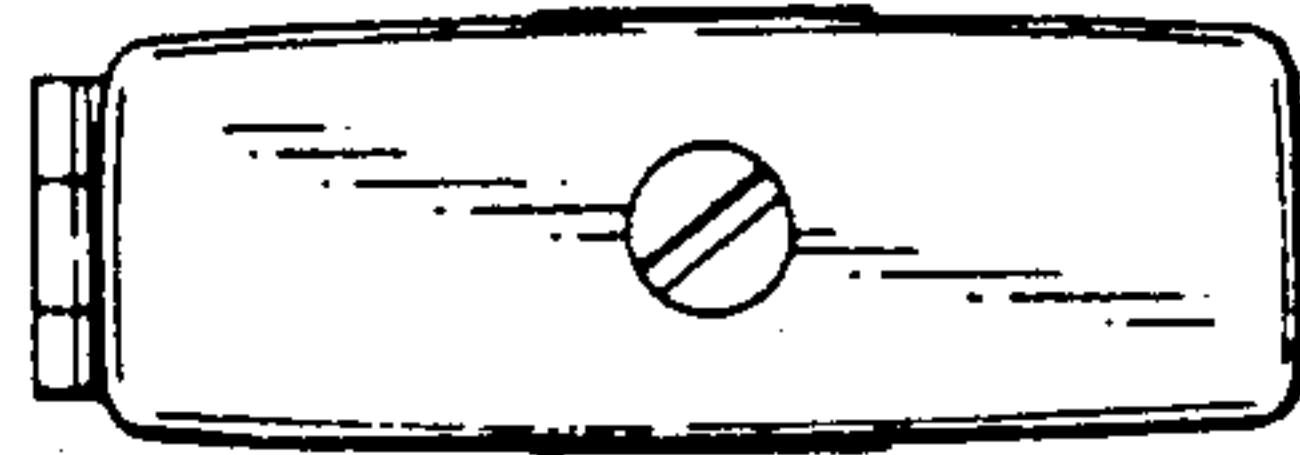


FIG. 8

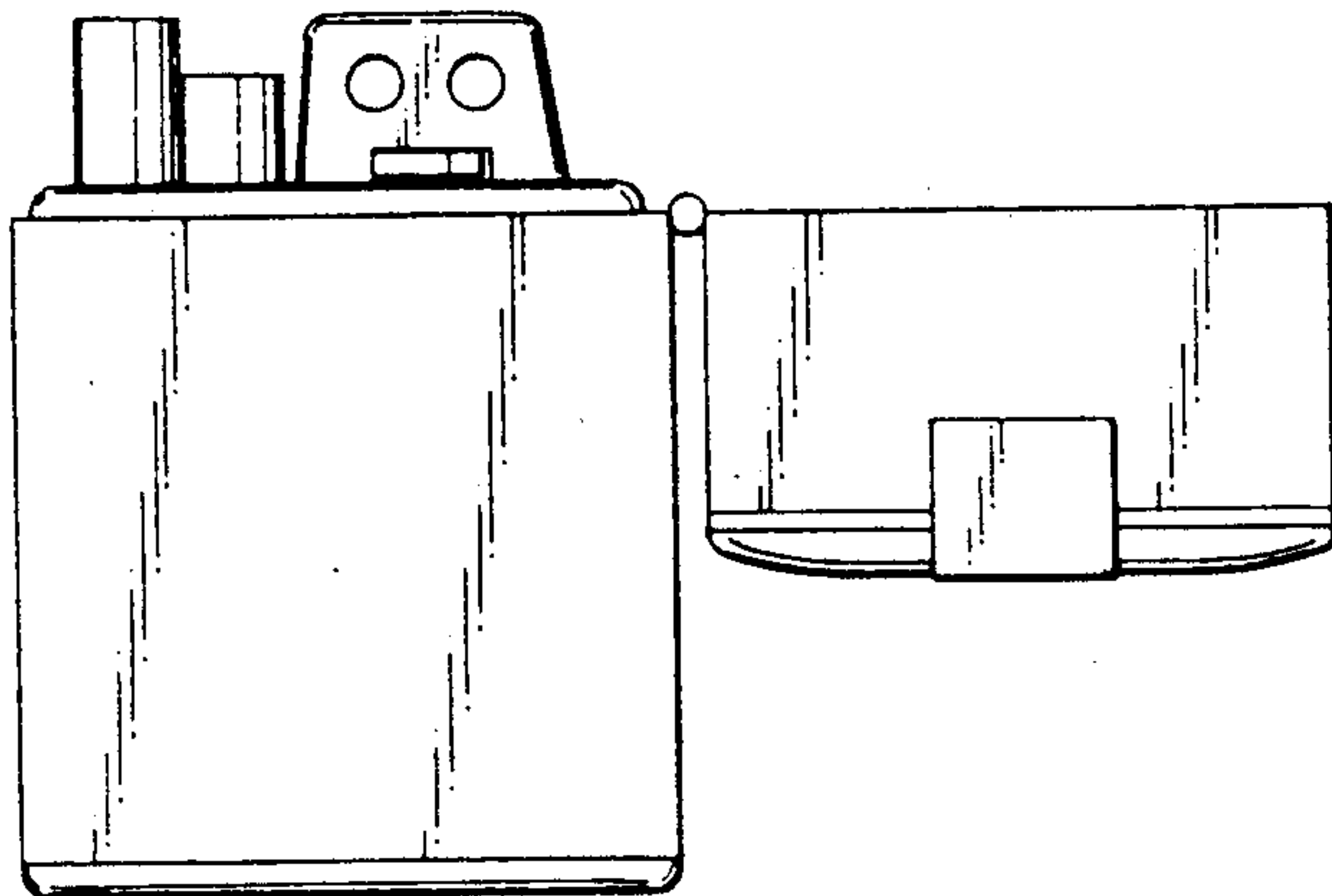


FIG. 9

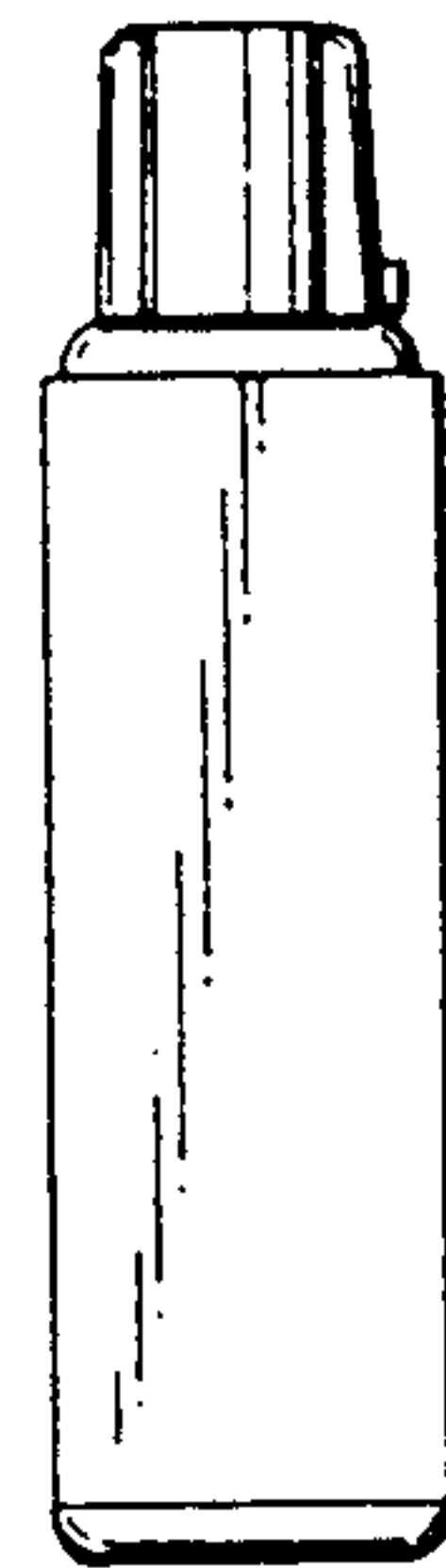


FIG. 10

