

[54] MULTIPURPOSE FLASHLIGHT

[75] Inventors: **Tor Pettersen**, Palos Verdes Peninsula, Calif.; **David R. Schaller**, Janesville; **Gregory L. Mills**, Middleton, both of Wis.

[73] Assignee: **Rayovac Corporation**, Madison, Wis.

[**] Term: **14 Years**

[21] Appl. No.: **355,250**

[22] Filed: **May 22, 1989**

[52] U.S. Cl. **D26/37; D26/46**

[58] Field of Search **D26/37-50; 362/157, 158, 183-208**

[56]

References Cited

U.S. PATENT DOCUMENTS

D. 278,275 4/1985 Mann D26/42
4,803,605 2/1989 Schaller et al. 362/184

Primary Examiner—Susan J. Lucas
Attorney, Agent, or Firm—Kenyon & Kenyon

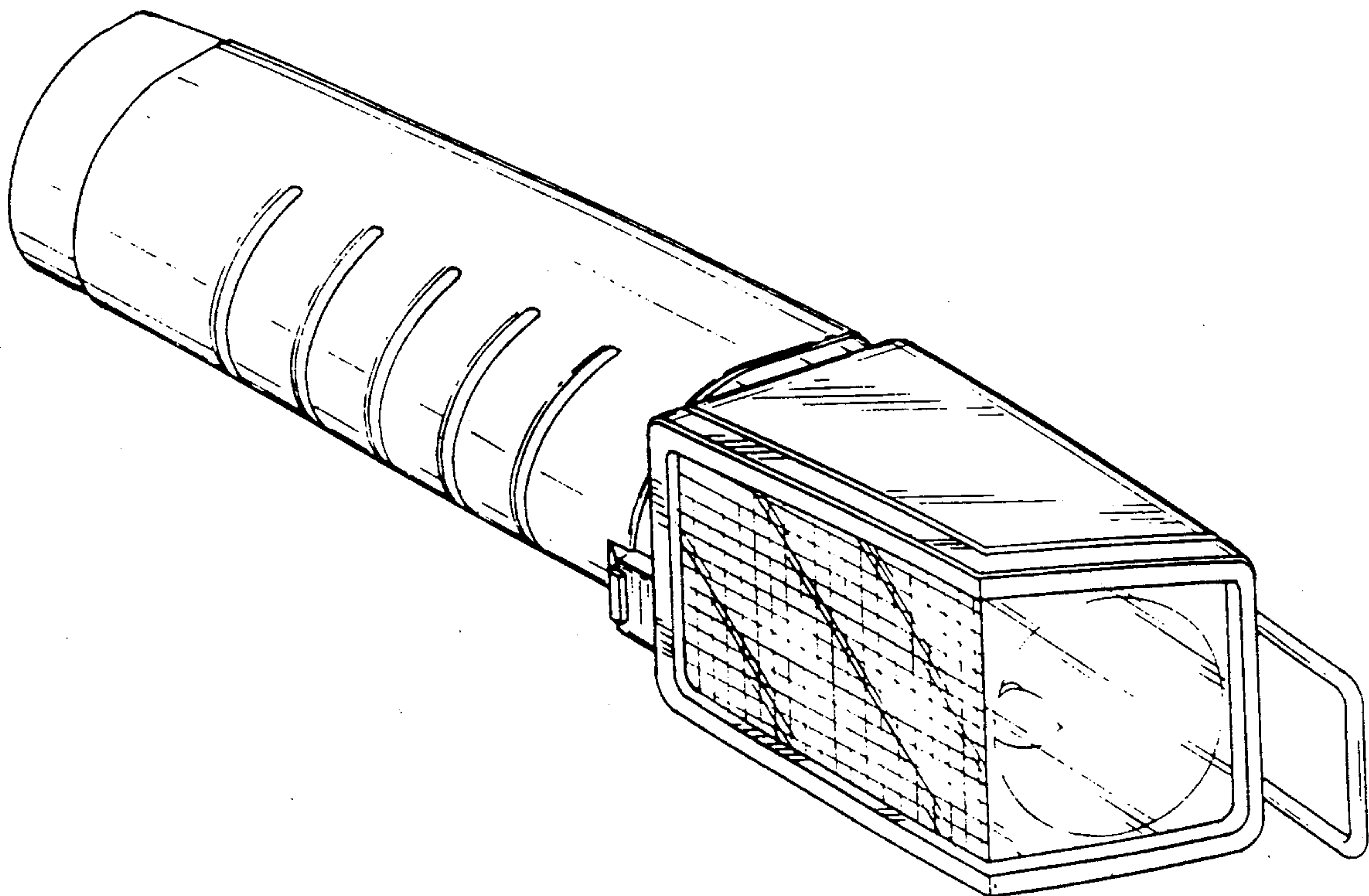
[57]

CLAIM

The ornamental design for multipurpose flashlight, as shown and described.

DESCRIPTION

FIG. 1 is a front perspective view of a multipurpose flashlight showing our new design, with the wire hanger in the open position;
FIG. 2 is a rear perspective view thereof;
FIG. 3 is a left side elevational view thereof with the wire hanger being in the closed position, the right side being a mirror image;
FIG. 4 is a bottom plan view thereof;
FIG. 5 is a top plan view thereof.



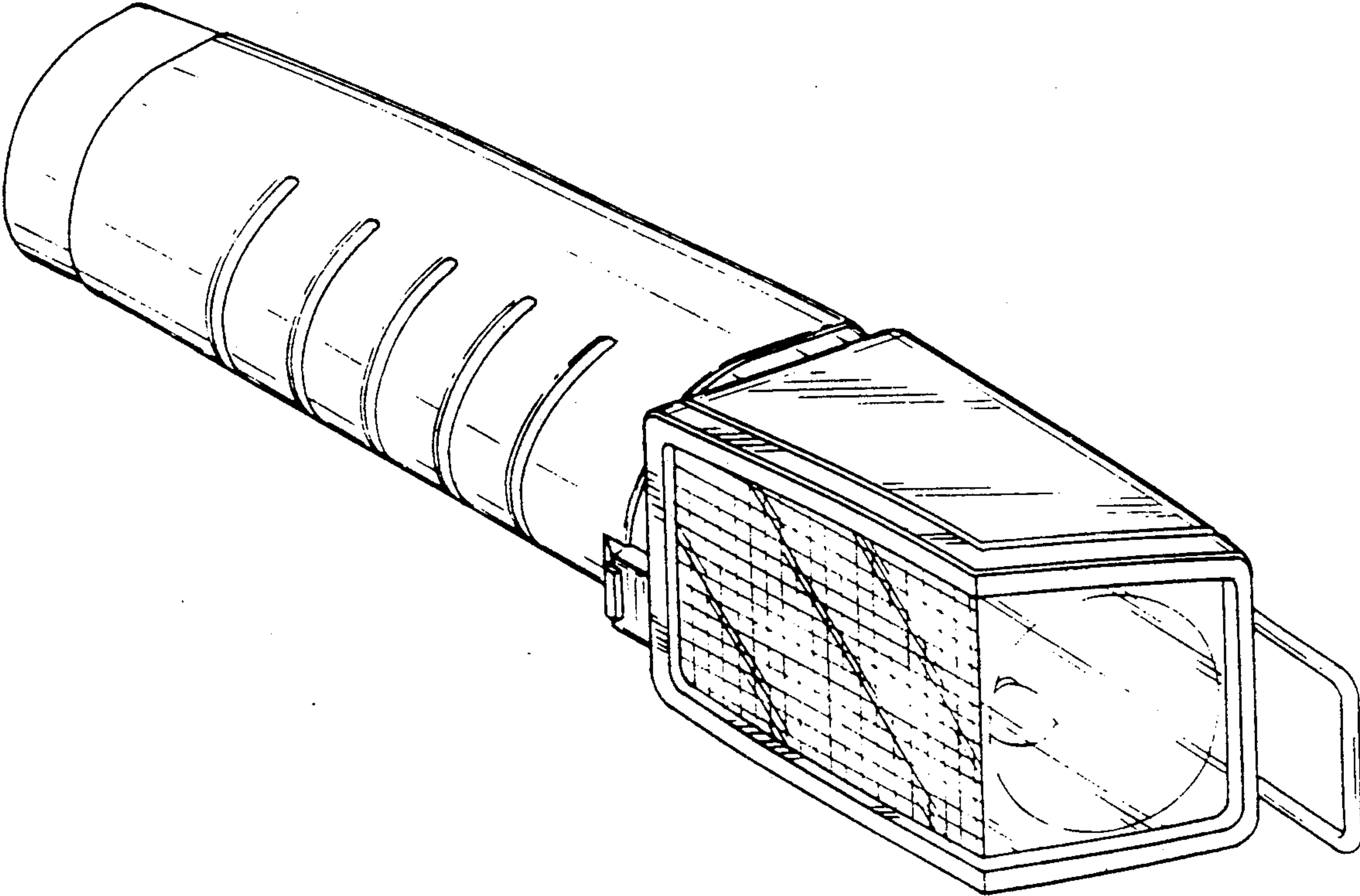


FIG 1

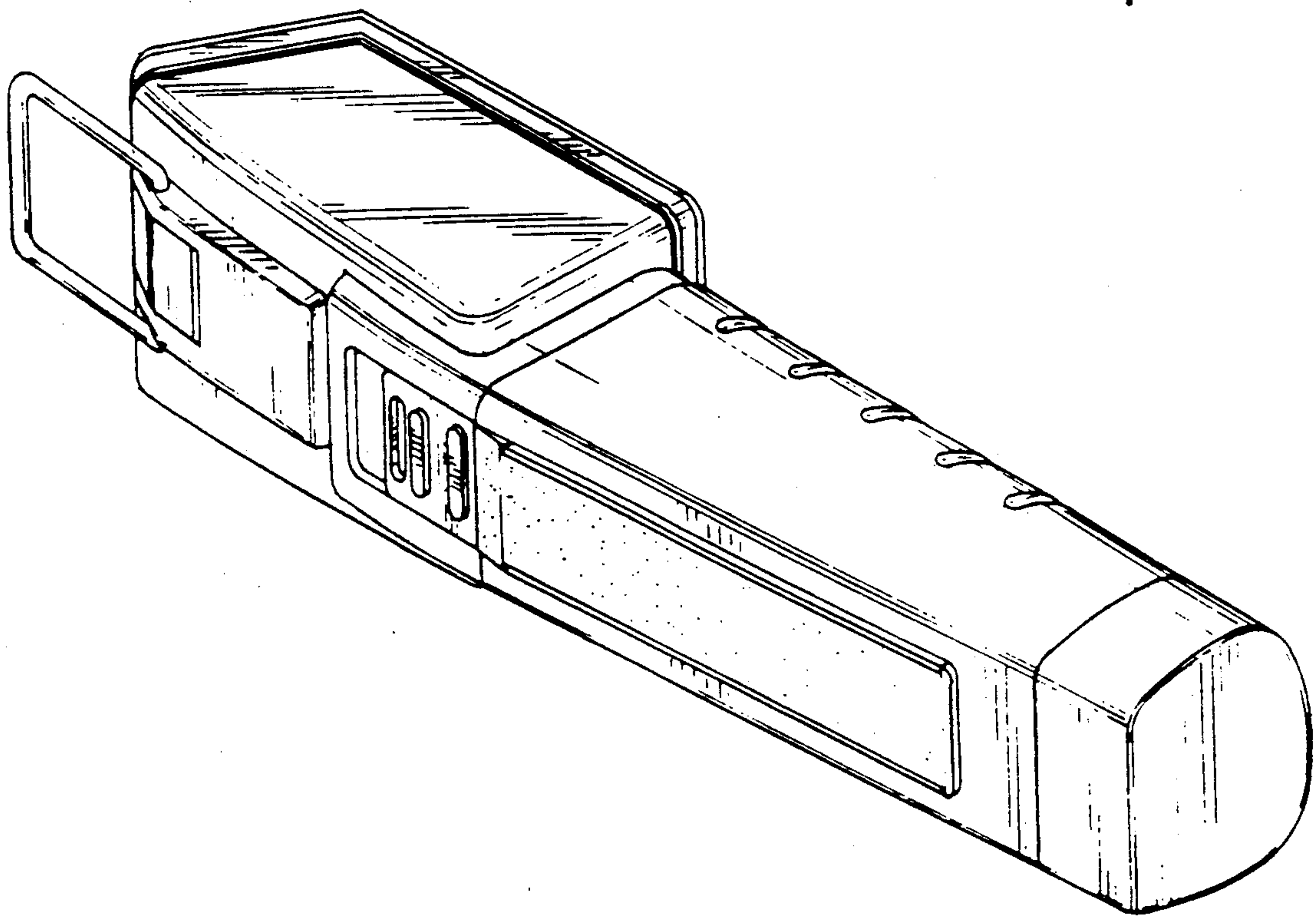


FIG 2

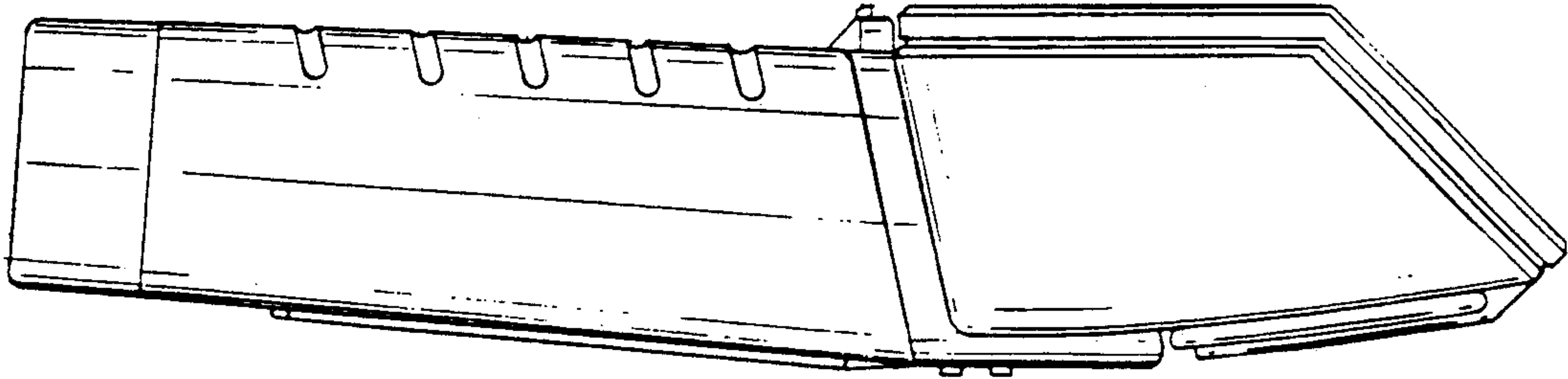


FIG 3

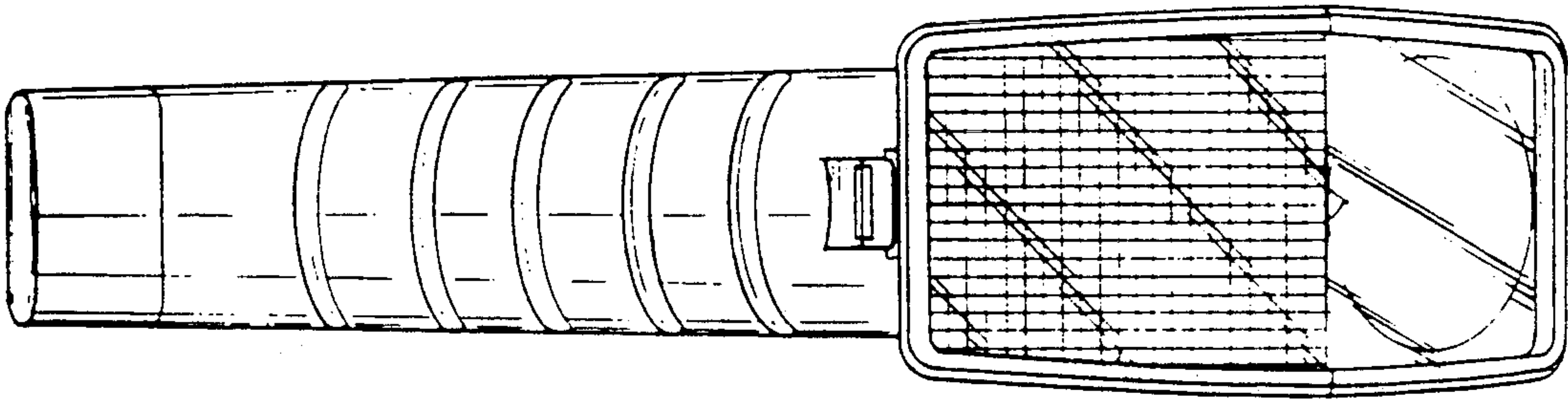


FIG 4

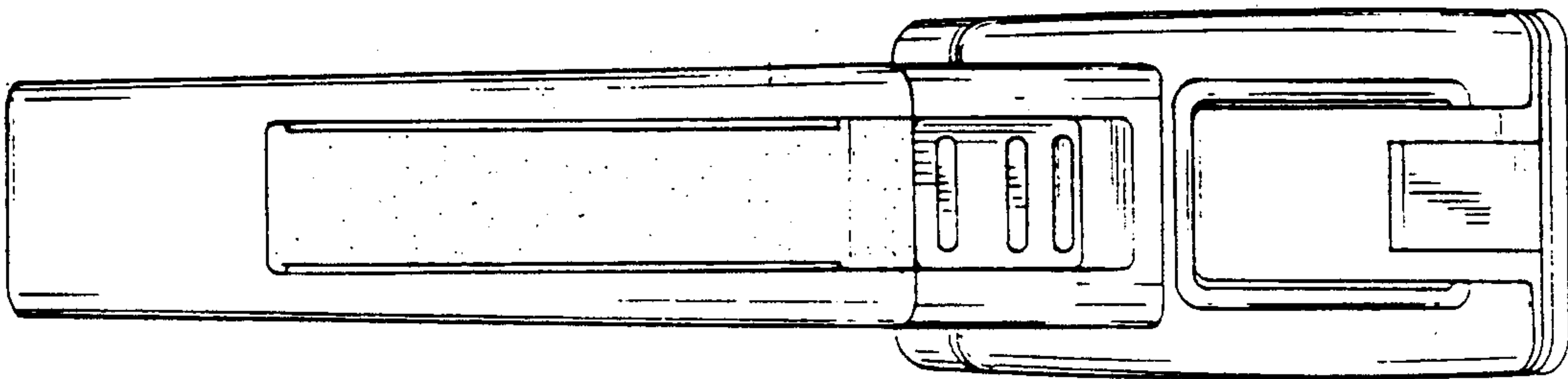


FIG 5

UNITED STATES PATENT AND TRADEMARK OFFICE
CERTIFICATE OF CORRECTION

PATENT NO. : Des. 320,463
DATED : October 1, 1991
INVENTOR(S) : Tor Petterson et al

It is certified that error appears in the above-identified patent and that said Letters Patent is hereby corrected as shown below:

Title page, item [75], should read as follows:

--Tor Petterson, Palos Verdes, David W. Schlundt, Hermosa Beach,
Jean T. McGregor, Harbor City, all of Calif.--

Signed and Sealed this
Thirty-first Day of August, 1993

Attest:



BRUCE LEHMAN

Attesting Officer

Commissioner of Patents and Trademarks