

[54] RESECTOSCOPE ELECTRODE

[75] Inventors: **Benedetto Grossi; Raymond Ainger, III**, both of Stamford, Conn.

[73] Assignee: **Circon Corporation**, Santa Barbara, Calif.

[\*\*] Term: **14 Years**

[21] Appl. No.: **203,022**

[22] Filed: **Jun. 2, 1988**

[52] U.S. Cl. .... **D24/144; D24/147**

[58] Field of Search ..... **D24/18, 26, 27; 606/46, 606/49**

[56] **References Cited**

**U.S. PATENT DOCUMENTS**

D. 251,608	4/1979	Cawood, Jr. et al. .	
D. 251,609	4/1979	Cawood, Jr. et al. .	
2,090,923	8/1937	Wappler .....	606/46
3,835,842	9/1974	Iglesias .....	606/46 X
3,856,015	12/1974	Iglesias .....	606/46
4,132,227	1/1979	Iglesias .	
4,134,406	1/1979	Iglesias .....	606/46
4,149,538	4/1979	Mrava et al. .	
4,538,610	9/1985	Kubota .	
4,649,917	3/1987	Karasawa .....	606/46
4,726,370	2/1988	Karasawa et al. .	

**OTHER PUBLICATIONS**

The New Continuous Flow Resectoscope from American ACMI, May 1984.

"ACMI Continuous Resectoscope" Jan. 1987.

"Operating and Maintenance Manual Continuous Flow Resectoscope" American ACMI, Apr. 1984.

"ACMI Adult Resectoscope Operating & Maintenance Manual", American ACMI, Jun. 1984.

"ACMI Adult Resectoscope Operating & Maintenance Manual" American ACMI, Jun. 1984.

*Primary Examiner*—Stella Reid

*Attorney, Agent, or Firm*—Perman & Green

[57] **CLAIM**

The ornamental design for a resectoscope electrode, as shown and described.

**DESCRIPTION**

FIG. 1 is a perspective view of a resectoscope electrode, showing our new design;

FIG. 2 is a top plan view thereof;

FIG. 3 is a side elevational view thereof, the opposite side being identical thereto;

FIG. 4 is a bottom plan view thereof;

FIG. 5 is a front elevational view thereof; and

FIG. 6 is a rear elevational view thereof.

The broken lines showing of the electrode tip is for illustrative purposes only and forms no part of the claimed design.

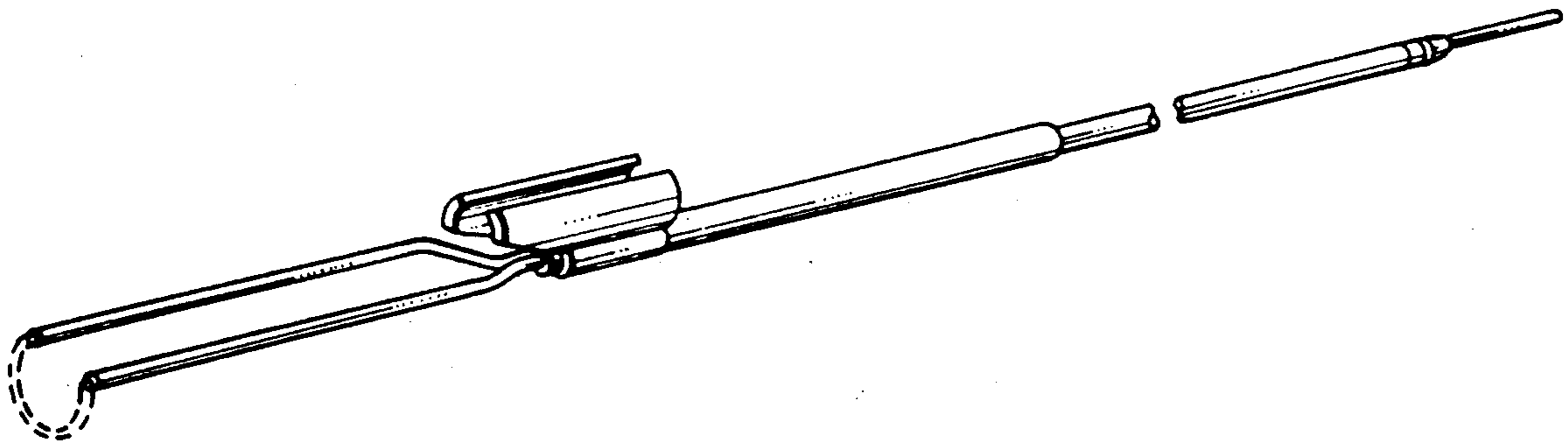


FIG. 1.

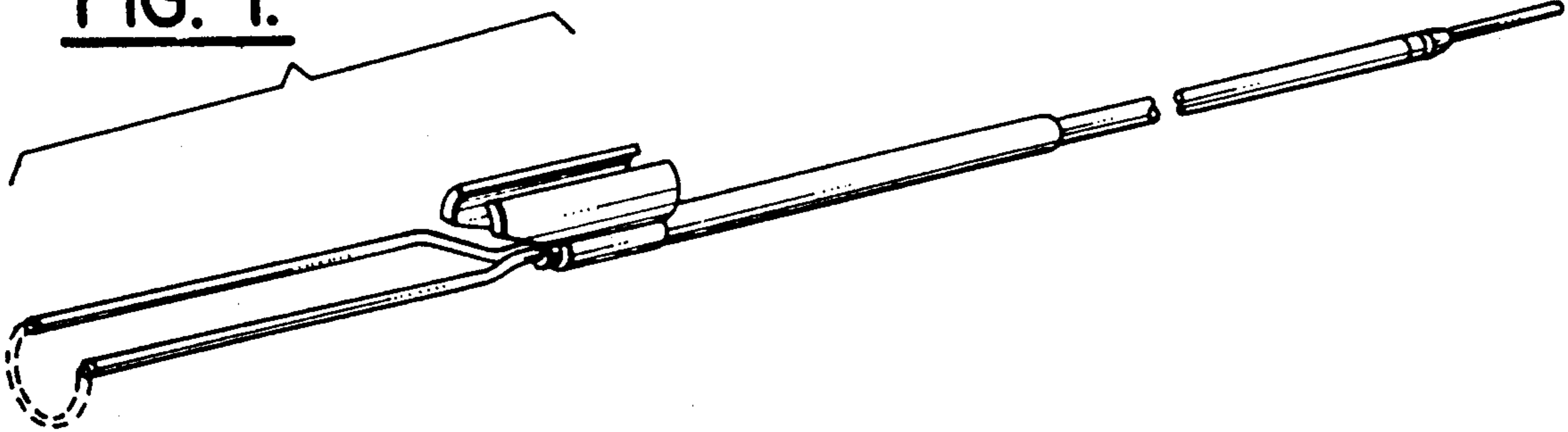


FIG. 2.

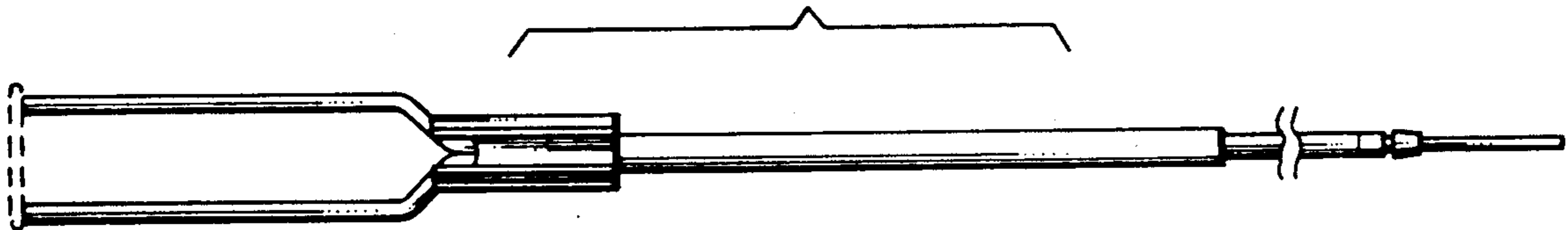


FIG. 3.

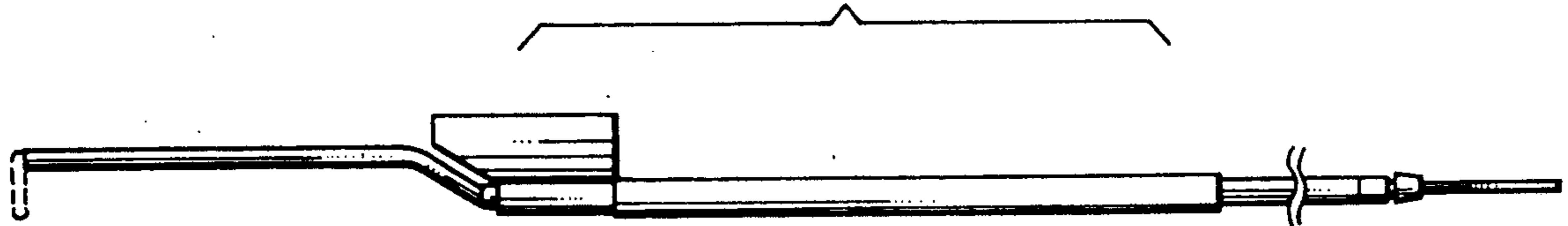


FIG. 4.

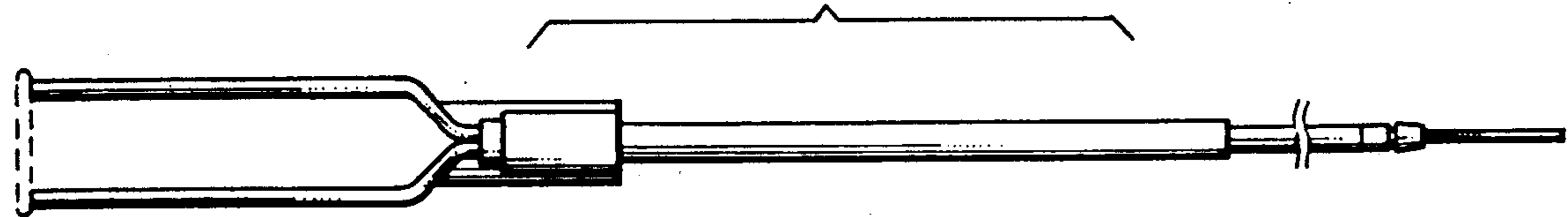


FIG. 5.



FIG. 6.

