

United States Patent [19]

McKay

[11] Patent Number: Des. 320,442

[45] Date of Patent: ** Oct. 1, 1991

[54] TANK LINER

[76] Inventor: David D. McKay, 3507 25th St.,
Lubbock, Tex. 79410

[**] Term: 14 Years

[21] Appl. No.: 256,379

[22] Filed: Oct. 11, 1988

[52] U.S. Cl. D23/206

[58] Field of Search D23/200-202,
D23/206; 220/461, 565, 465, 470; 72/214

[56] **References Cited**

U.S. PATENT DOCUMENTS

941,720	11/1909	Meier	220/470
2,876,927	3/1959	Henning	220/461 X
3,477,610	11/1969	Hansen	220/461
3,623,629	11/1971	Hendershot	220/461

3,765,211 10/1973 Struss 72/214

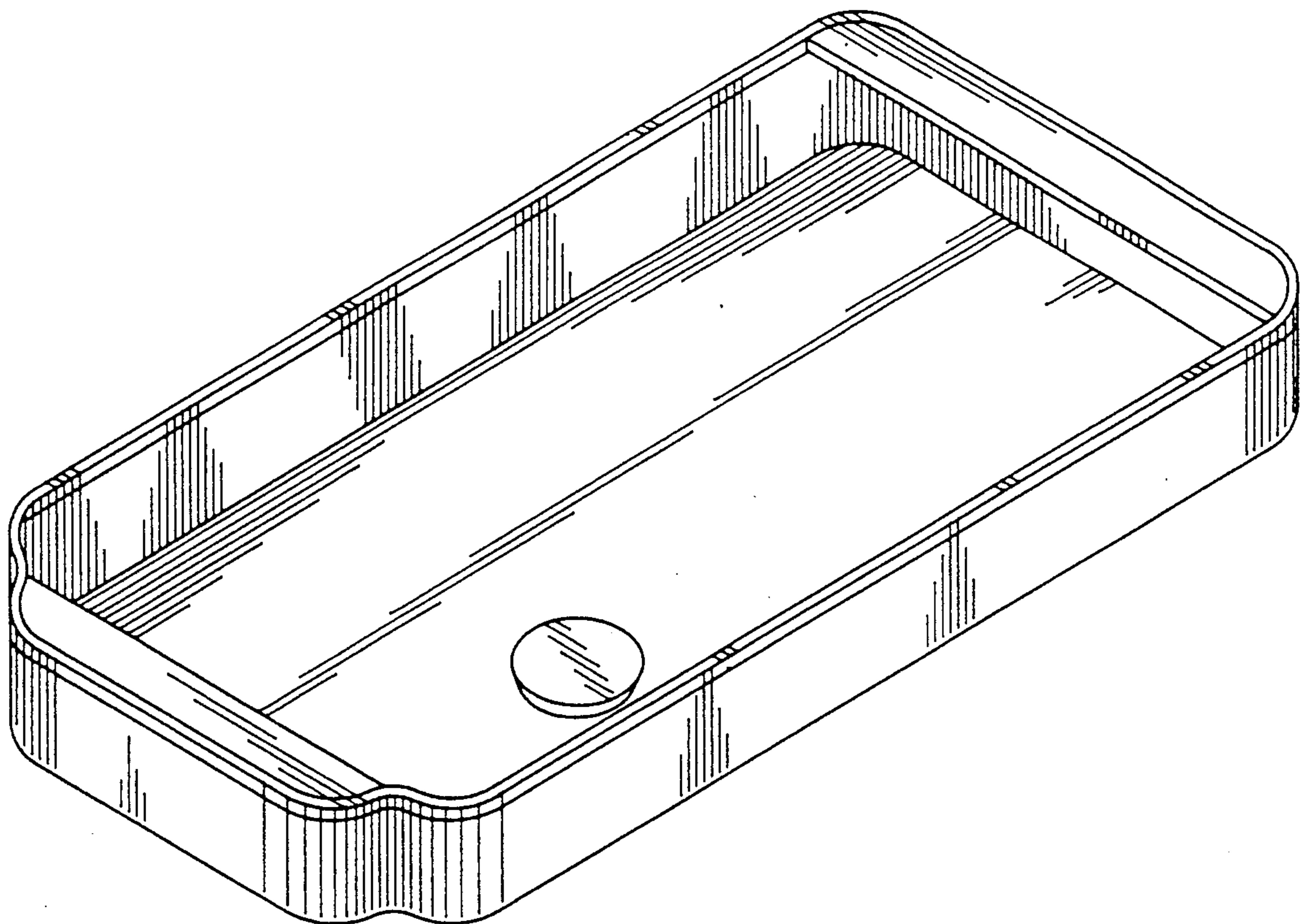
Primary Examiner—Wallace R. Burke
Assistant Examiner—H. Baynham
Attorney, Agent, or Firm—Leon Gilden

[57] **CLAIM**

The ornamental design for a tank liner, as shown and described.

DESCRIPTION

FIG. 1 is a right side elevational view of a tank liner showing my new design;
FIG. 2 is a left side elevational view thereof;
FIG. 3 is a front elevational view thereof;
FIG. 4 is a rear elevational view thereof;
FIG. 5 is a top plan view thereof;
FIG. 6 is a bottom plan view thereof;
FIG. 7 is a top perspective view thereof;
FIG. 8 is a bottom perspective view thereof.



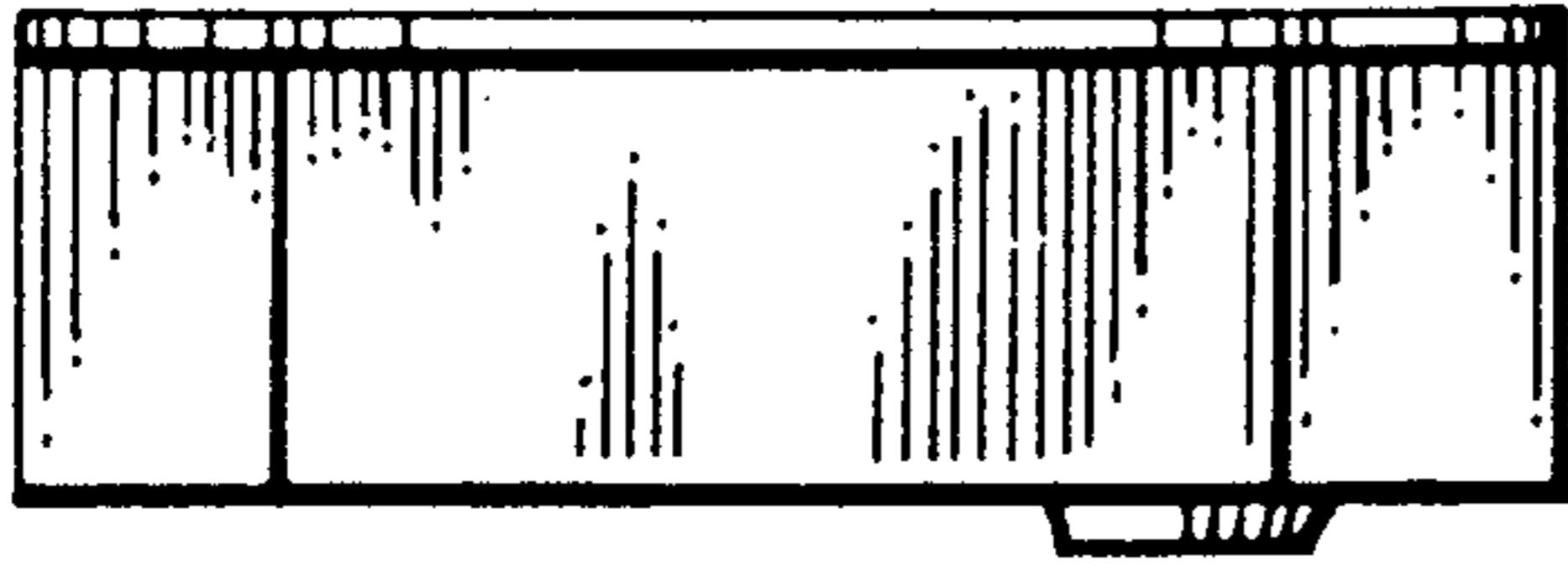


Fig. 1

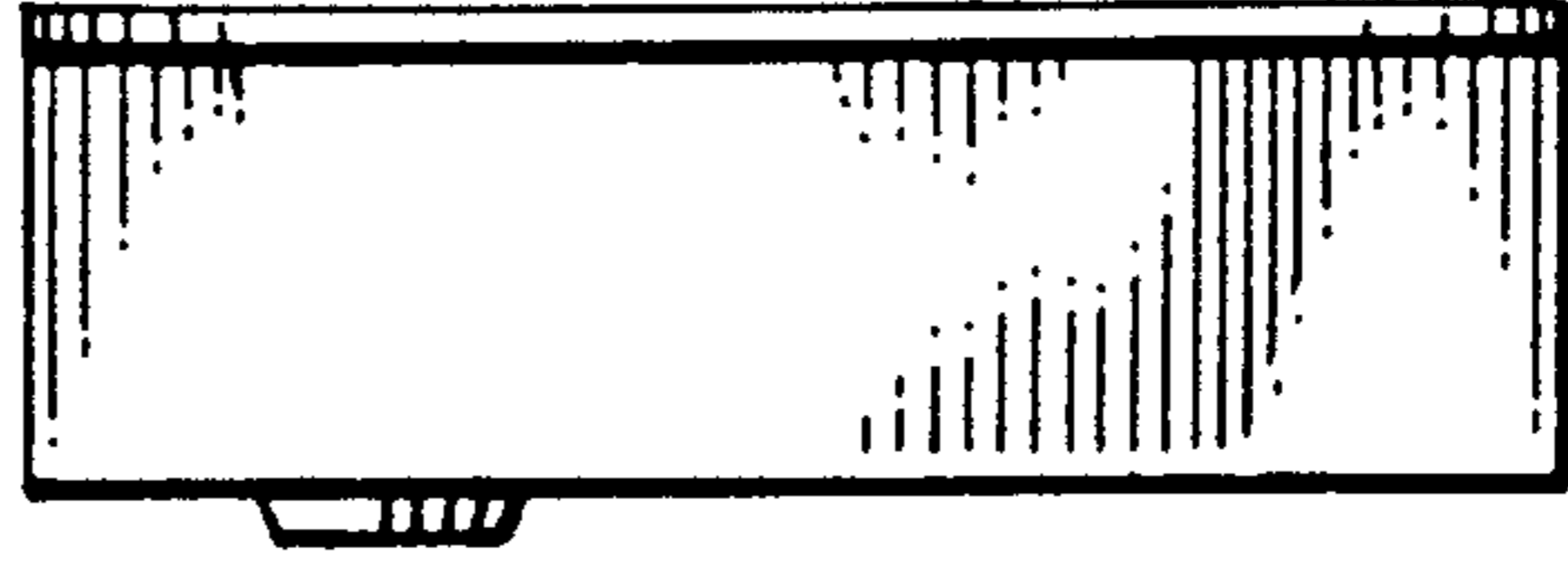


Fig. 2



Fig. 3

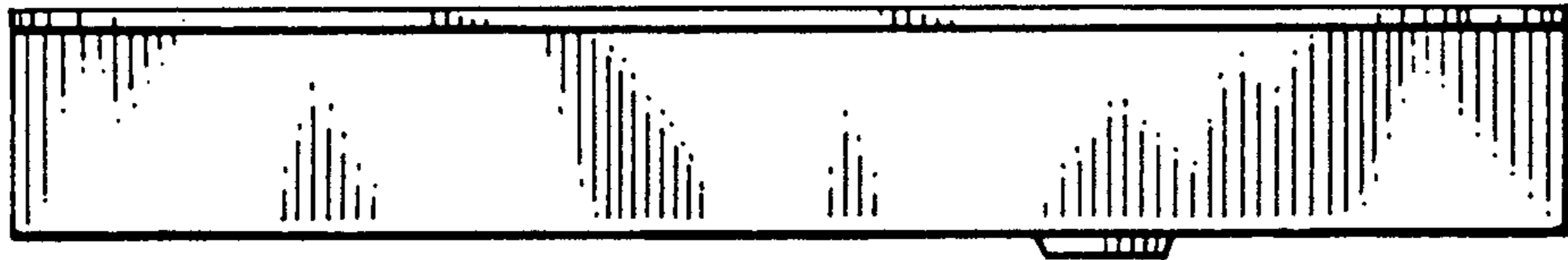


Fig. 4

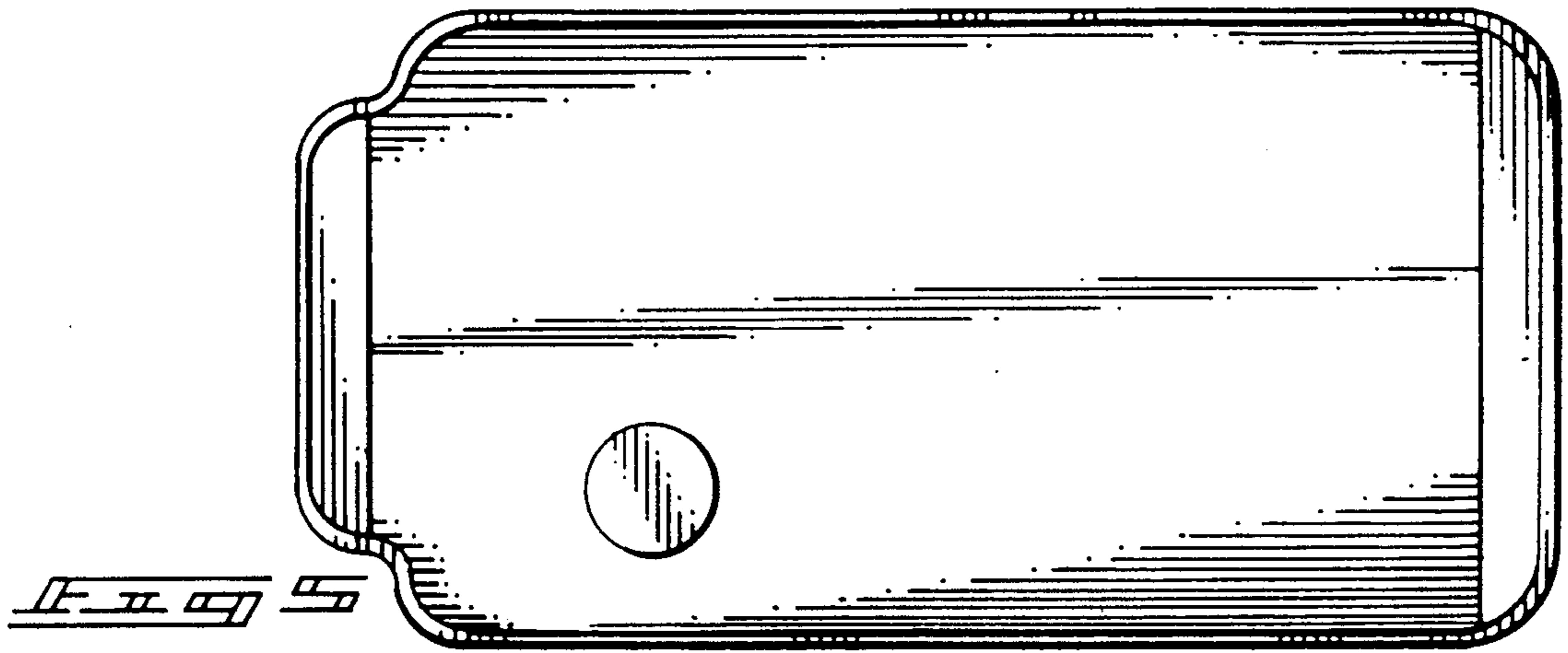


Fig. 5

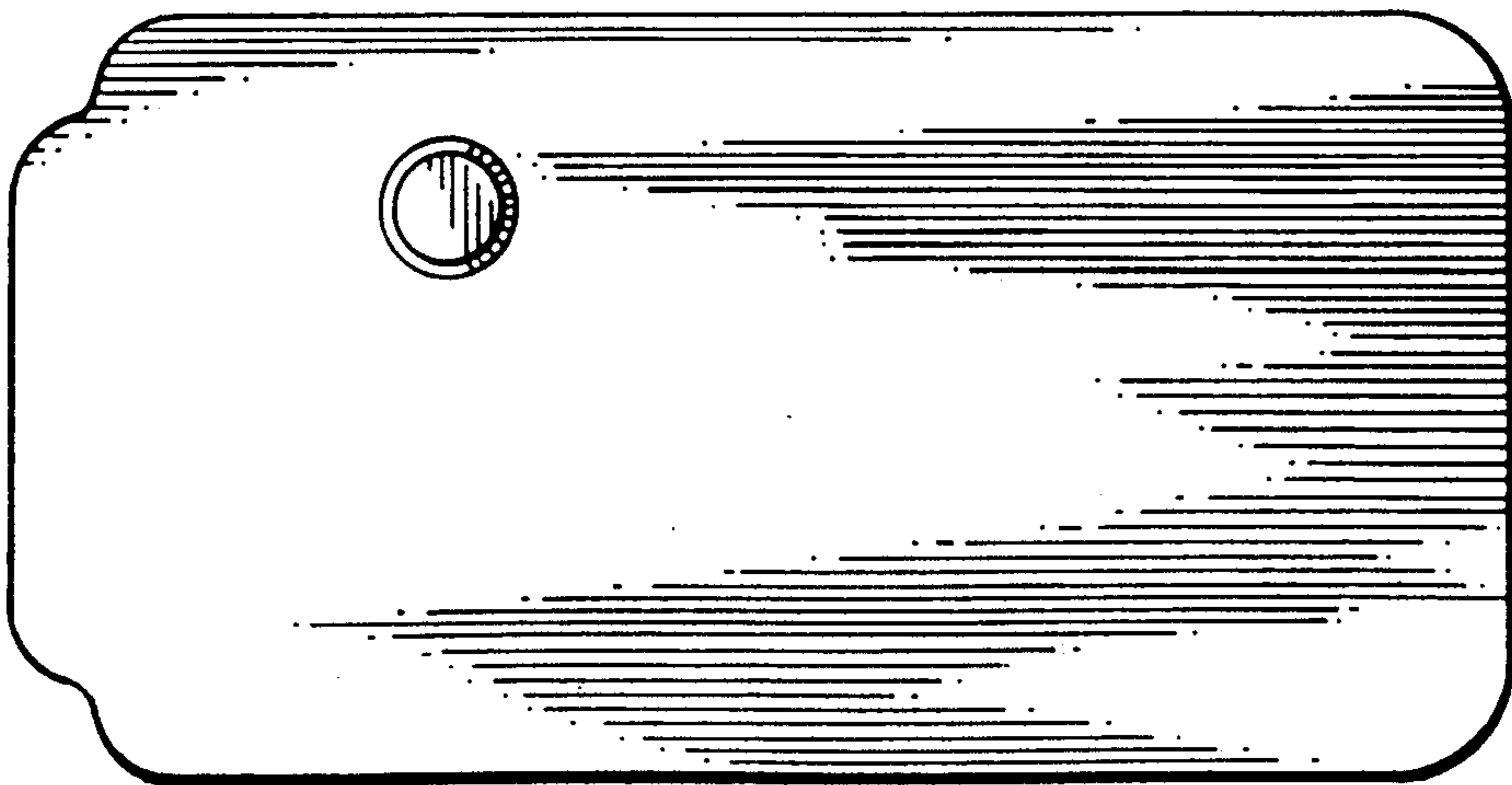


Fig. 6

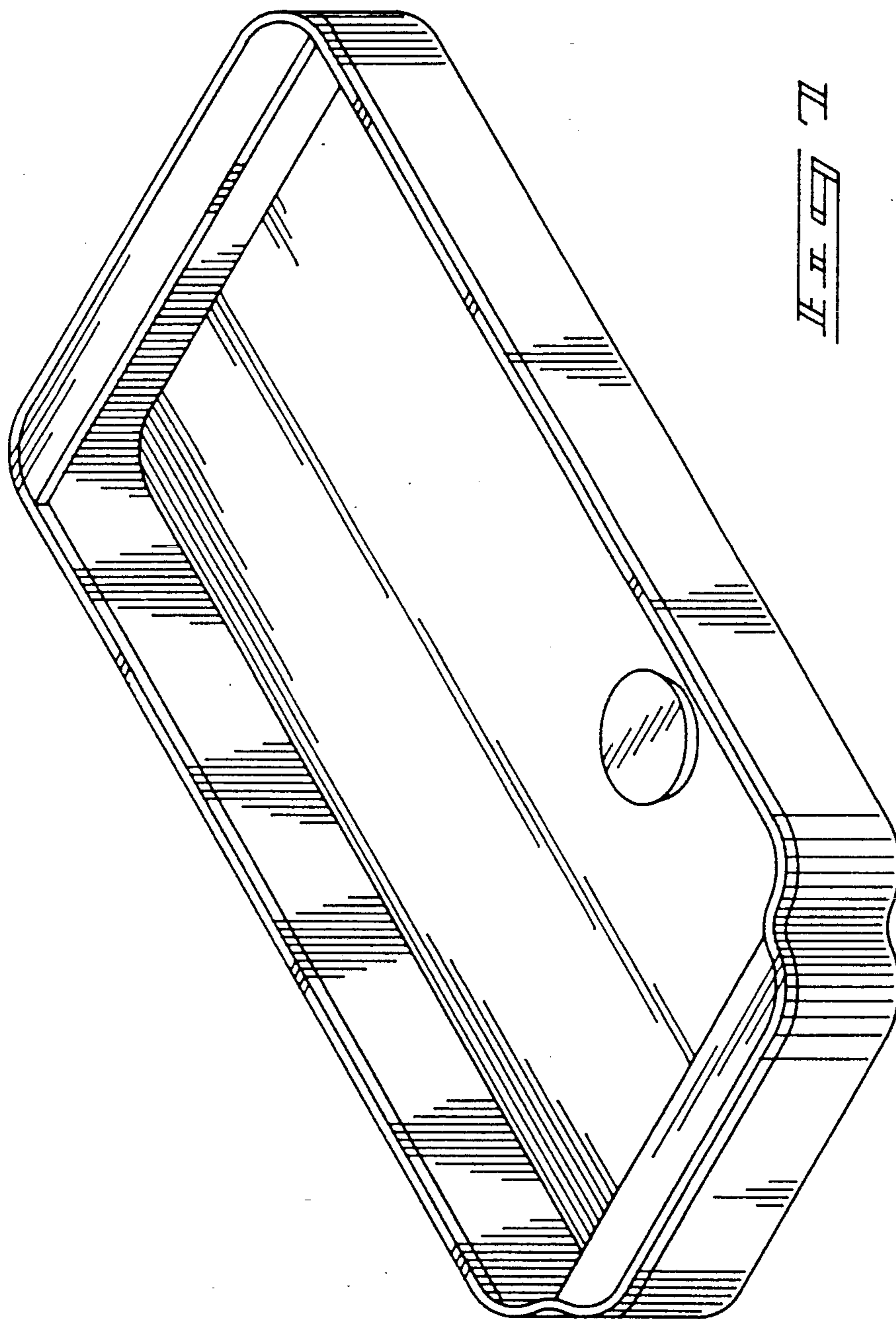


FIG. 3

