

[54] PORTABLE HUMIDIFIER

[75] Inventor: Bernard Chiu, Ashland, Mass.

[73] Assignee: Duracraft Corporation, Sudbury, Mass.

[\*\*] Term: 14 Years

[21] Appl. No.: 509,914

[22] Filed: Apr. 17, 1990

[52] U.S. Cl. .... D23/356

[58] Field of Search ..... D23/356, 357, 358, 359, D23/360, 361, 362, 363; 392/394, 403, 405, 406; 261/DIG. 48, 81

[56] References Cited

U.S. PATENT DOCUMENTS

2,198,890 4/1940 Stilwell ..... 392/402

FOREIGN PATENT DOCUMENTS

129541 7/1985 Japan ..... 261/DIG. 48

OTHER PUBLICATIONS

The Sharper Image Catalogue, Feb. 1986, p. 57, Ultrasonic Humidifier, top right side of page.

Hammacher Schlemmer Co., Spring Supplement, p. 31, Best Ultrasonic Humidifier, bottom right side of page. Housewares, Aug. 7-13, 1987, p. 18, Ultrasonic Humidifier A, lower right side of page, also p. 21, Ultrasonic Humidifiers B & C, lower right side of page. Housewares, Jul. 7-13, 1987, p. 3, Ultrasonic Humidifiers D & E, lower left side of page, also p. 11, of this issue, Holmes Air Humidifier and Sunbeam Dura Vap Vaporizer, bottom left and middle right sides of page, respectively.

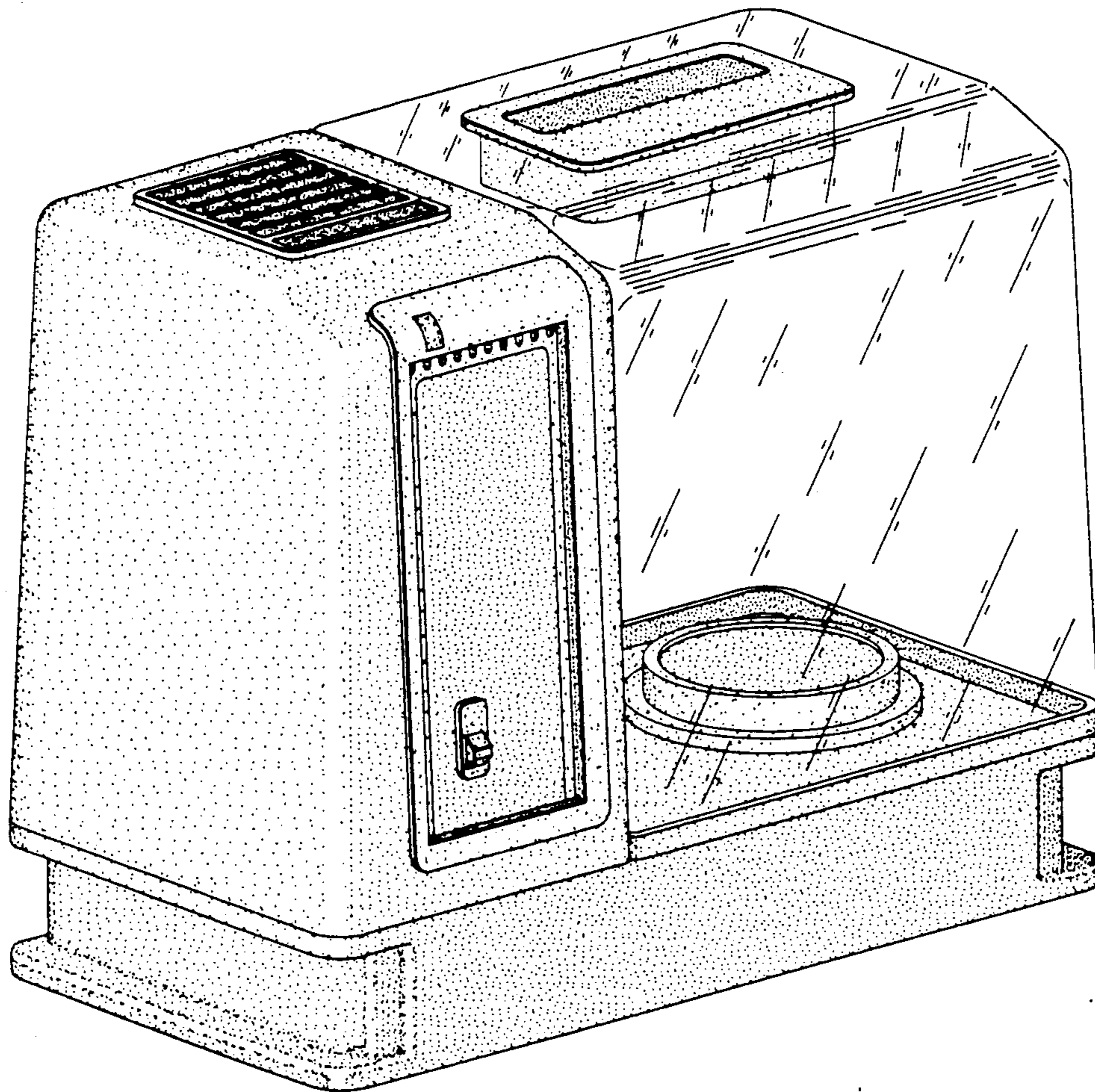
Primary Examiner—James M. Gandy  
Assistant Examiner—Lisa Lichtenstein  
Attorney, Agent, or Firm—John E. Toupal; Harold G. Jarcho

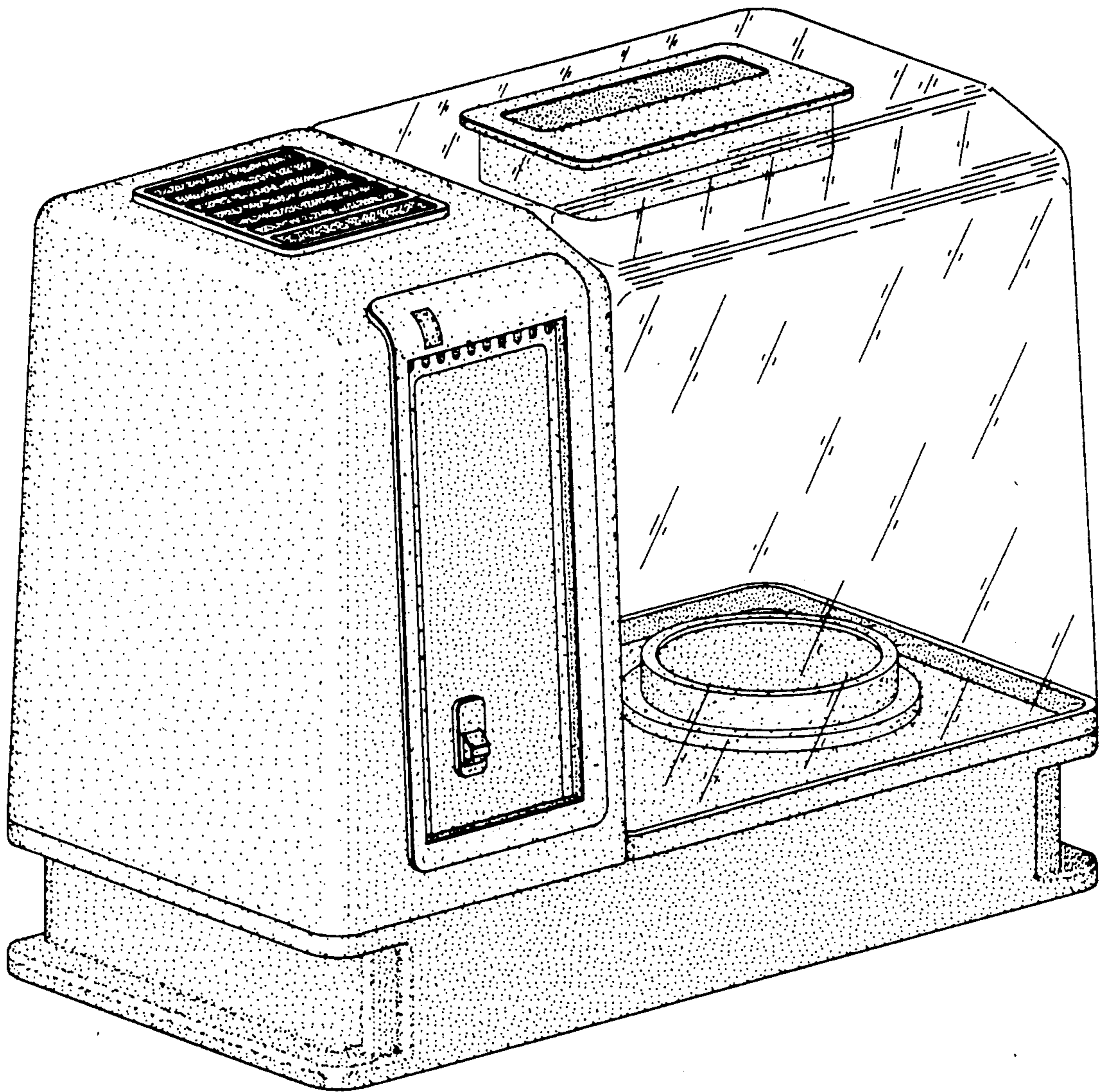
[57] CLAIM

The ornamental design for a portable humidifier, as shown.

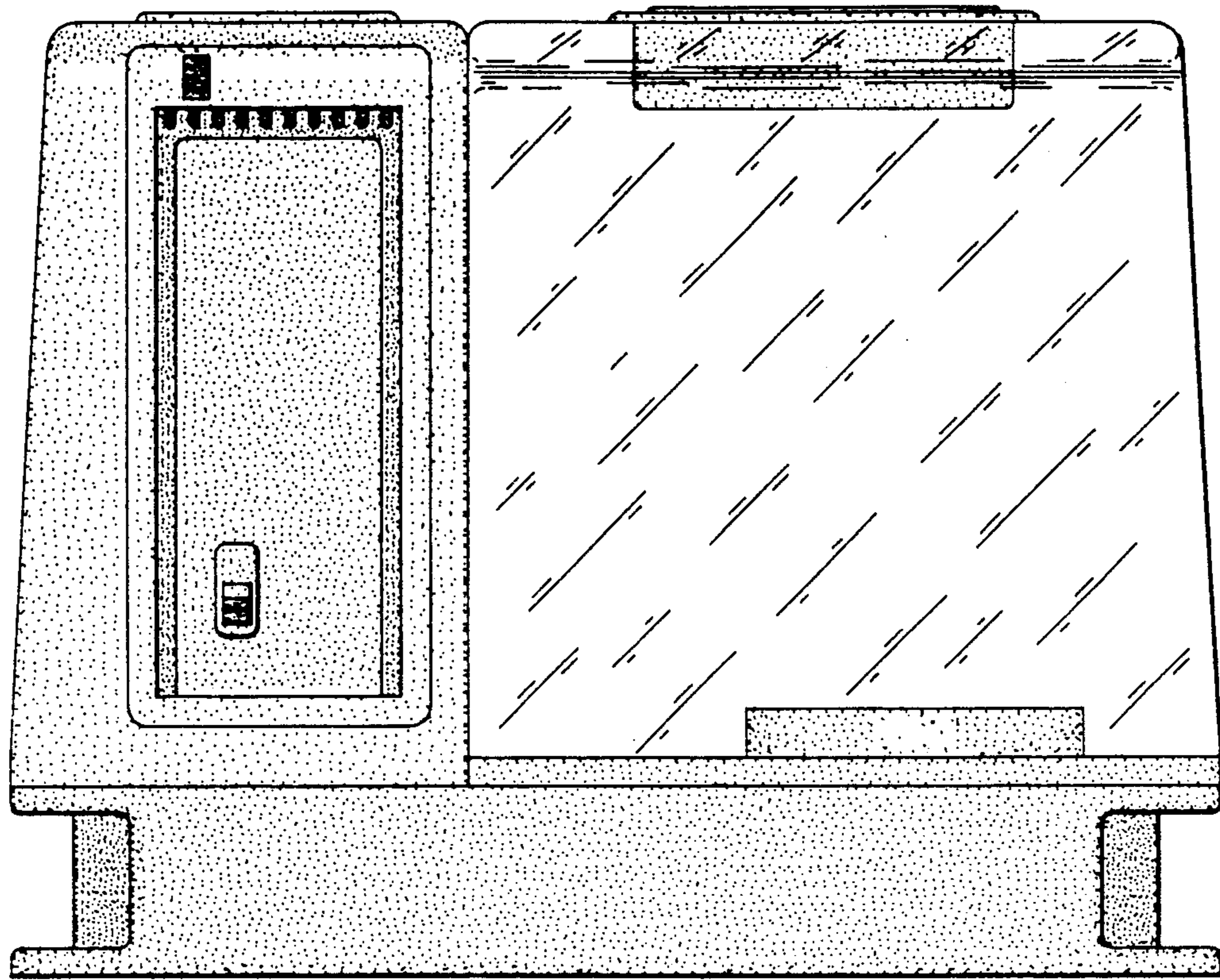
DESCRIPTION

FIG. 1 is a front perspective view of a portable humidifier showing my new design; FIG. 2 is a front elevational view thereof; FIG. 3 is a rear elevational view thereof; FIG. 4 is a top plan view thereof; FIG. 5 is a left side elevational view thereof; and FIG. 6 is a right side elevational view thereof.

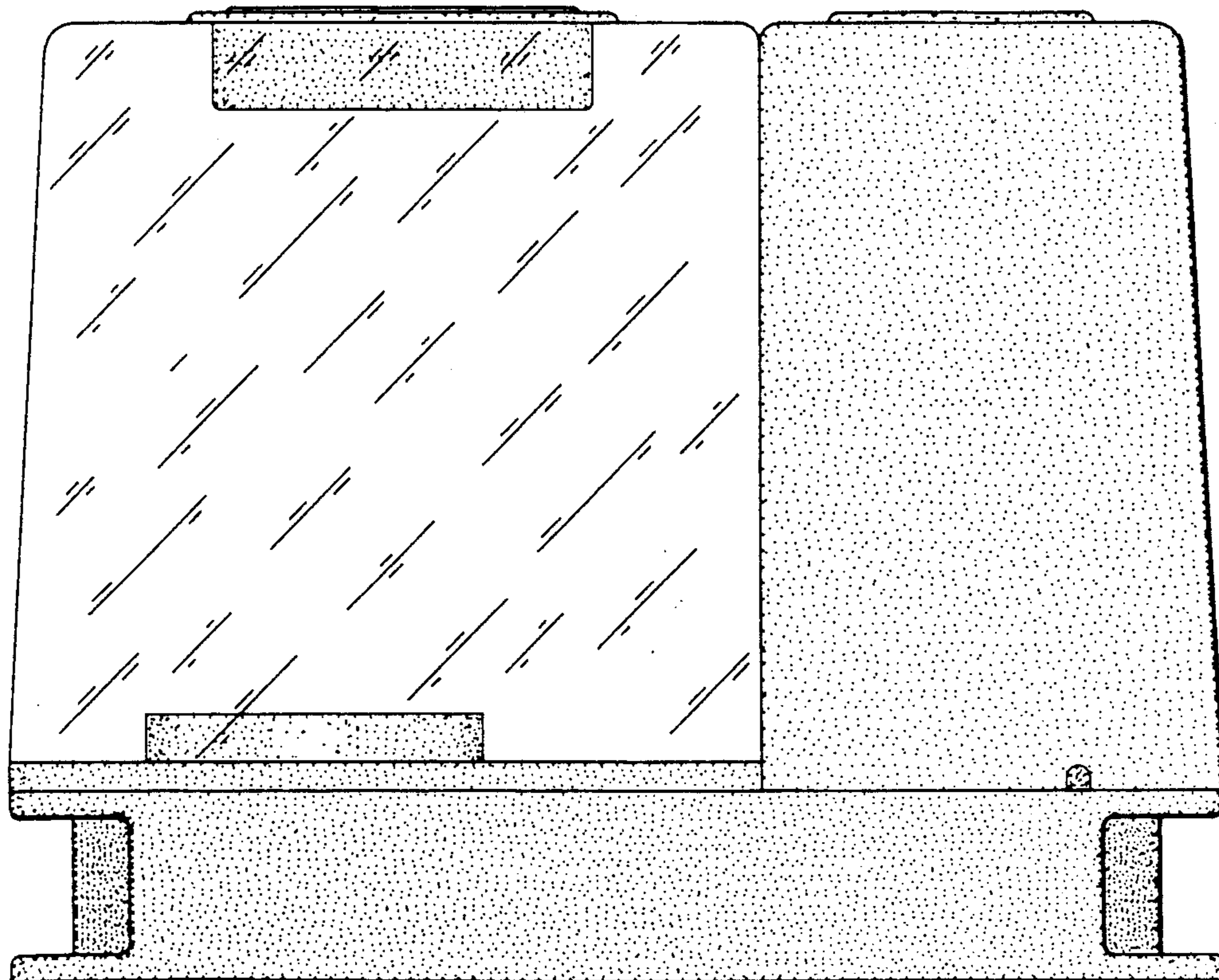




**FIG. 1**



**FIG. 2**



**FIG. 3**

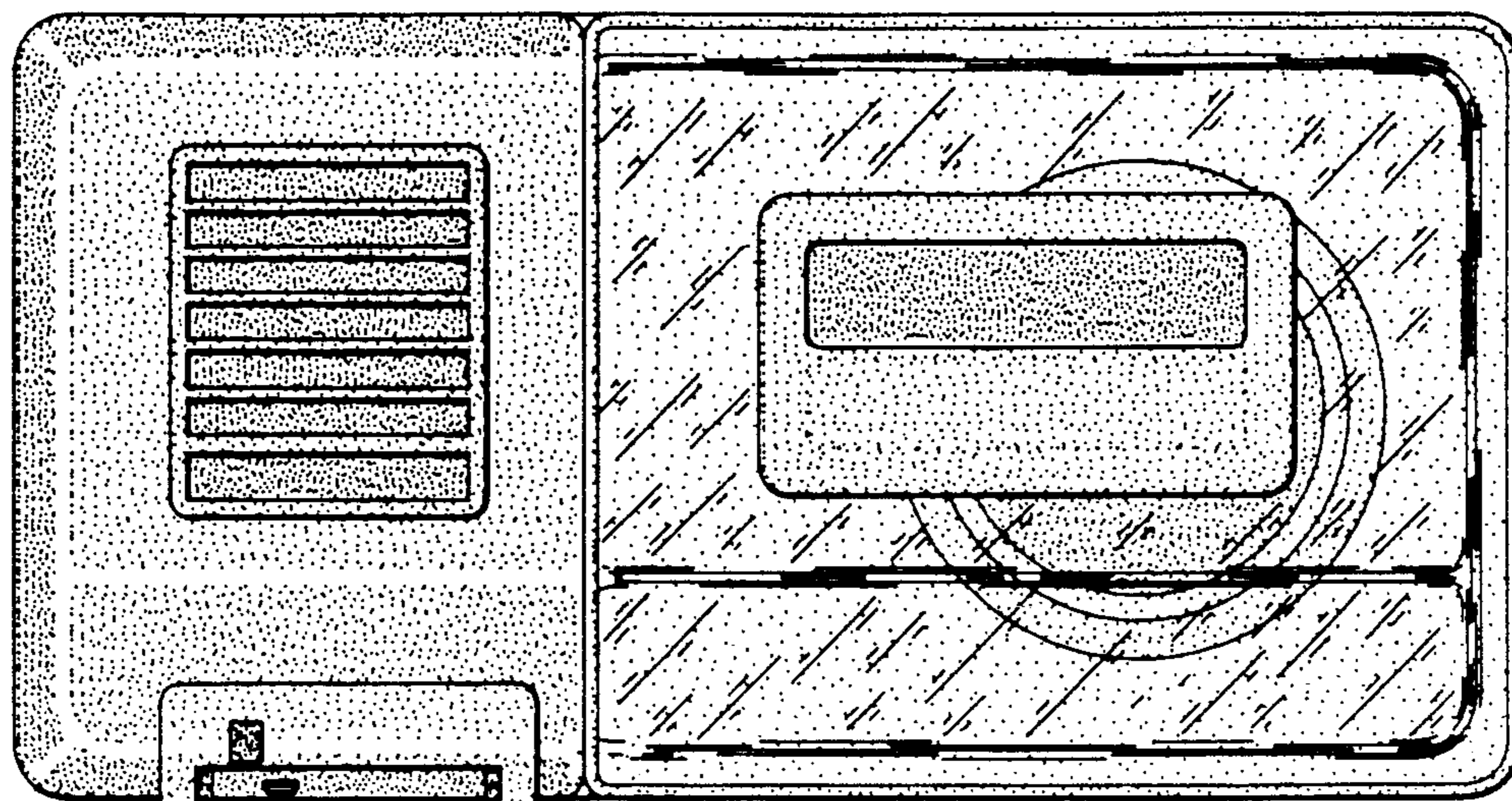


FIG. 4

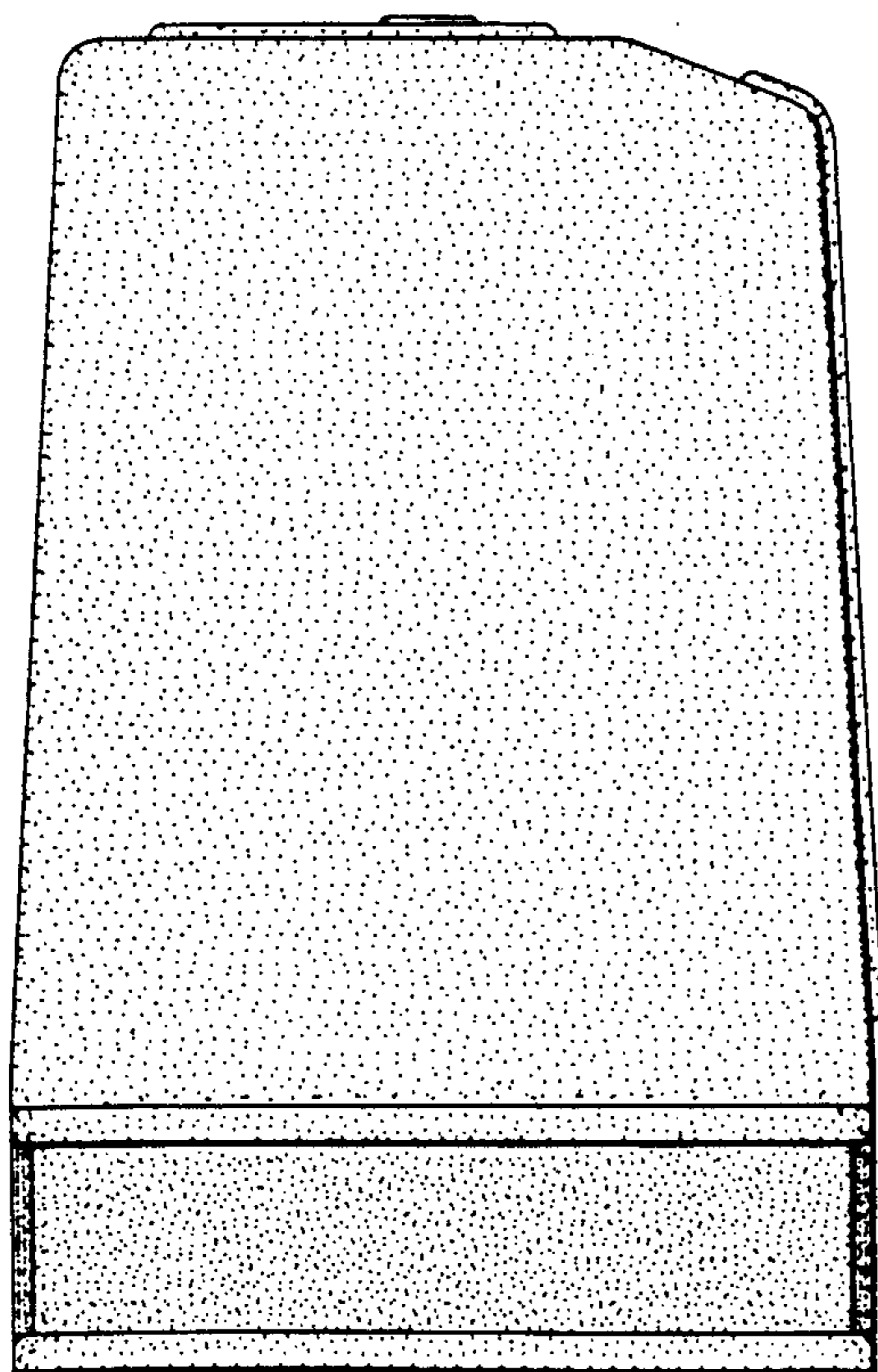


FIG. 5

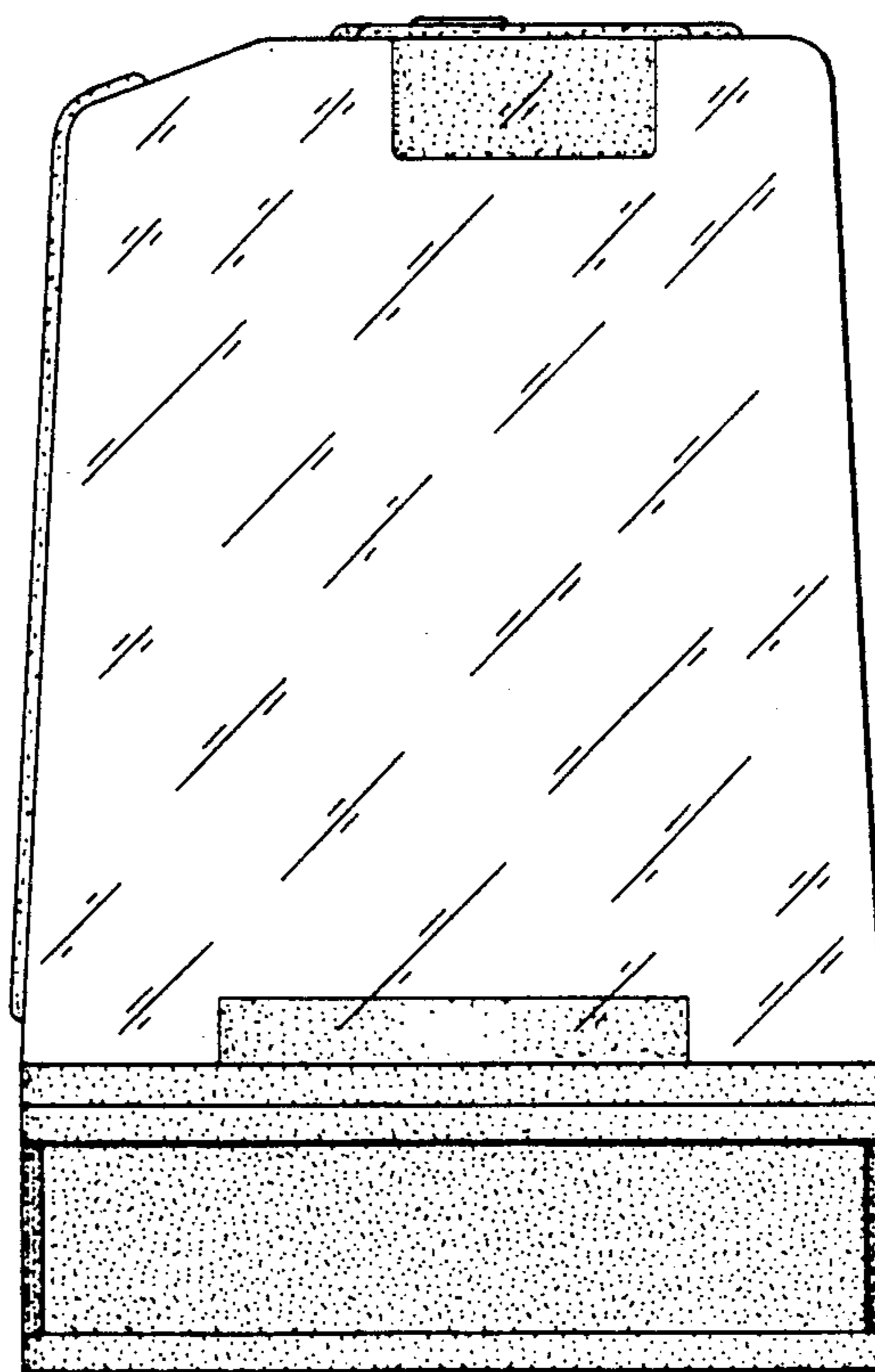


FIG. 6