

[54] HEATER WHICH IS USED WITH A CEILING FAN

4,782,213 11/1988 Teal 392/362

[76] Inventor: Ronald D. Harper, Rte. 2, Box 618, Tignall, Ga. 30668

[**] Term: 14 Years

[21] Appl. No.: 614,107

[22] Filed: Nov. 15, 1990

[52] U.S. Cl. D23/328; D23/377; D26/88

[58] Field of Search D23/377, 385, 386, 335, D23/337, 332, 328, 314; D7/396.4, 396.5; 392/364, 362; D26/85, 88, 72

[56] References Cited

U.S. PATENT DOCUMENTS

D. 40,015	5/1909	Meyer	D26/88
D. 119,796	4/1940	Winkler et al.	D26/88
D. 272,031	1/1984	Faber	D7/396.4
D. 293,405	12/1987	Zughaib	D7/396.5
D. 308,927	7/1990	Capella	D7/396.5
3,223,828	12/1965	Mast	392/364
4,504,191	3/1985	Brown	416/5
4,508,958	4/1985	Kan	392/364

OTHER PUBLICATIONS

Hunter Fan Co. Cat., ©1987, p. 14, Hunter Ceiling Fan 18860, top of page.

Murray Feiss Import, Corp. Cat., p. CF15, ceiling fans CF90-52" WT/B and CF052" AB, top and bottom of page respectively.

Winnower Fan Co. Inc. Cat., p. 5, Delta Ceiling Fan.

Codep International Inc. Cat., Athena Ceiling Fan.

Primary Examiner—James M. Gandy

Assistant Examiner—Lisa Lichtenstein

Attorney, Agent, or Firm—Terry M. Gernstein

[57] CLAIM

The ornamental design for a heater which is used with a ceiling fan, as shown and described.

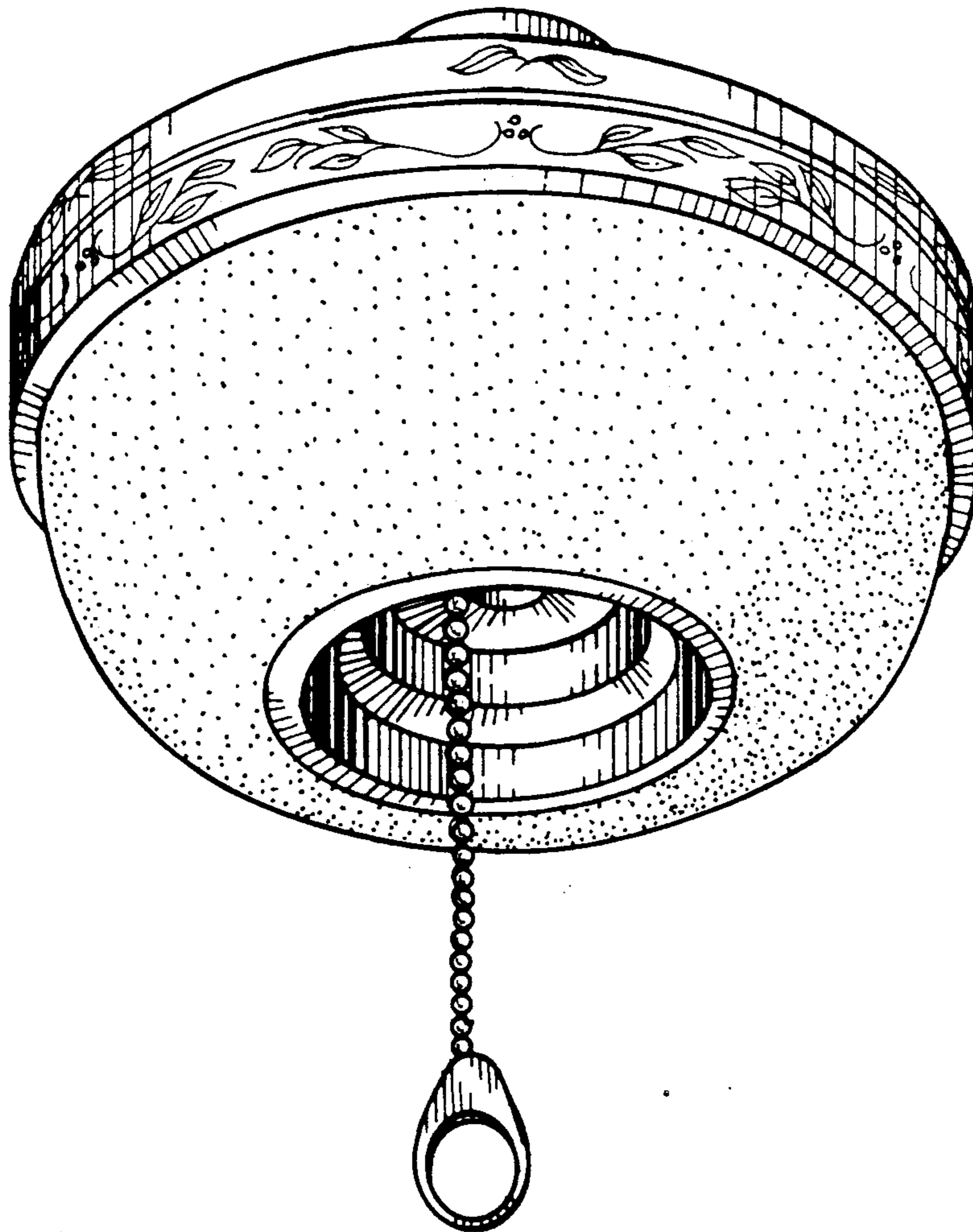
DESCRIPTION

FIG. 1 is a bottom perspective view of a heater which is used with a ceiling fan showing my new design;

FIG. 2 is an enlarged side elevation view thereof, all sides being identical to that shown;

FIG. 3 is a bottom plan view thereof; and

FIG. 4 is a top plan view thereof.



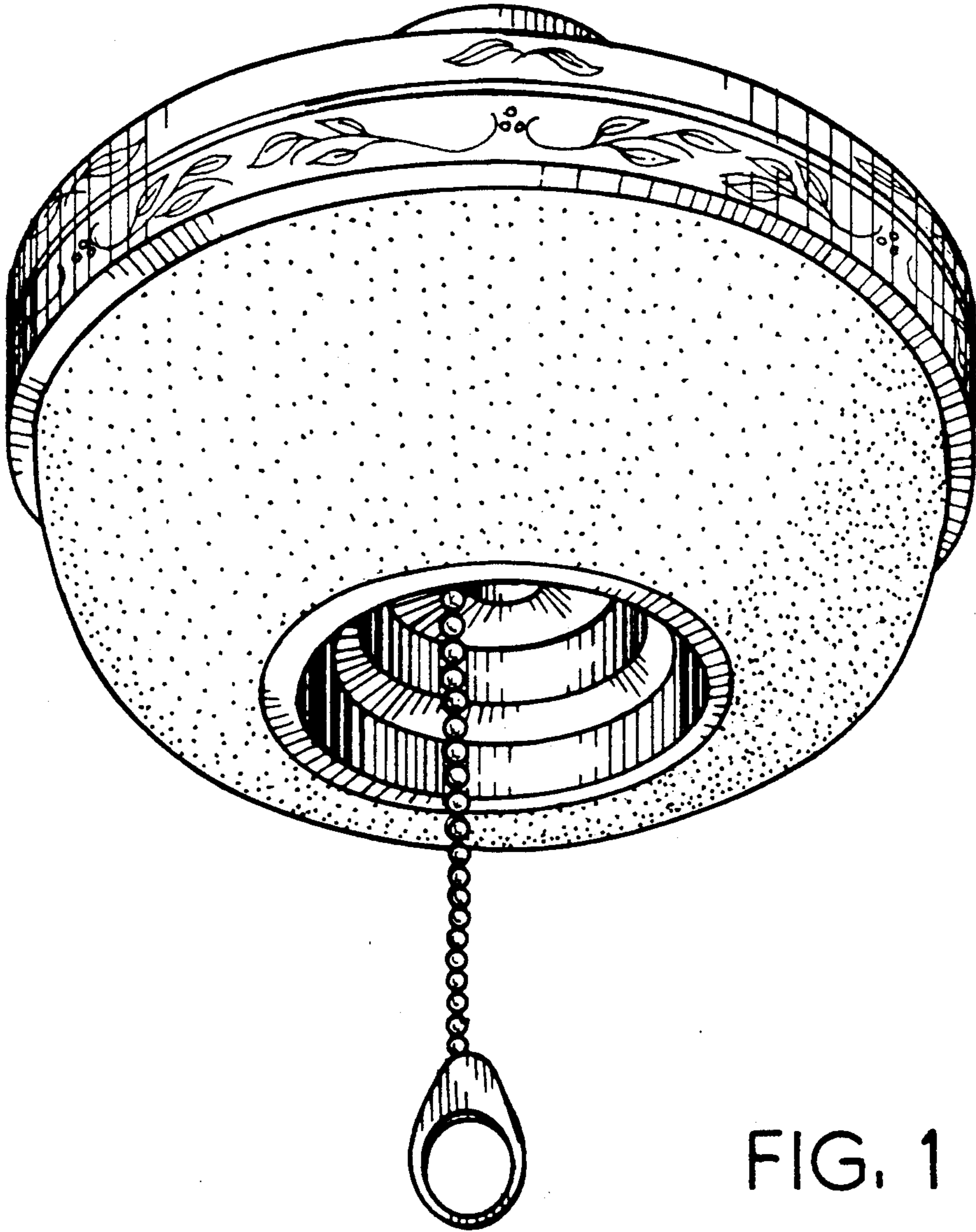


FIG. 1

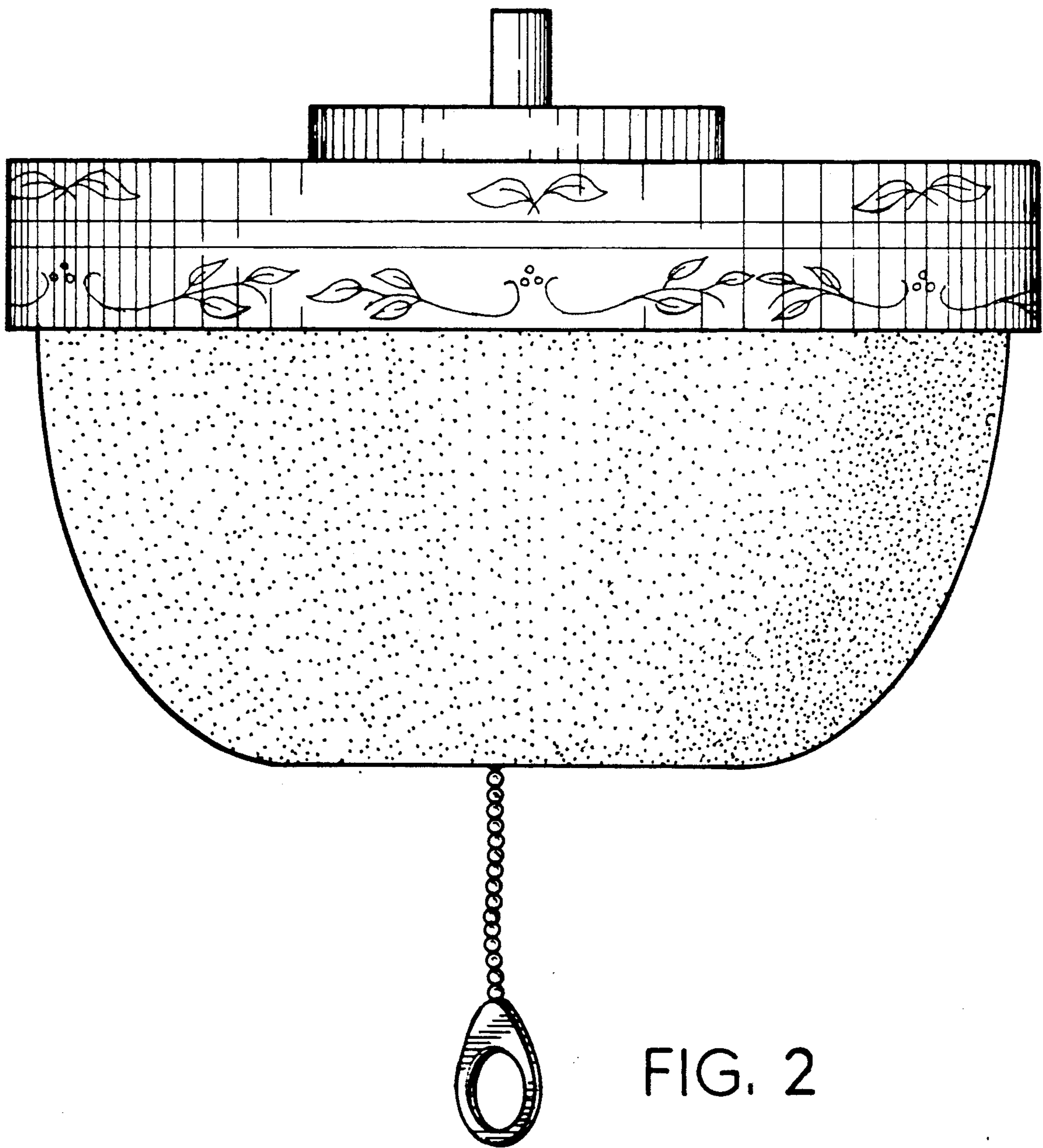


FIG. 2

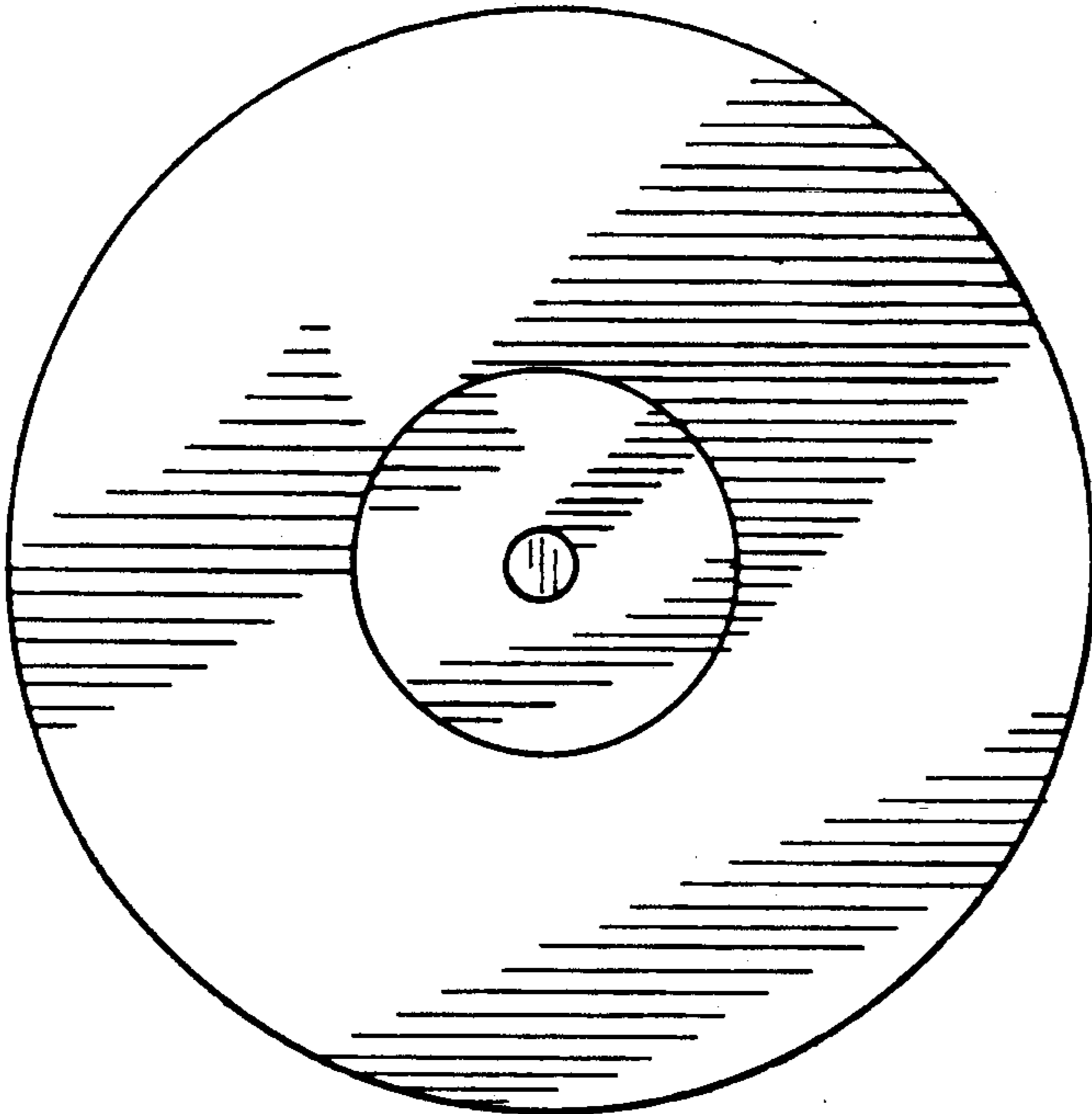


FIG. 4

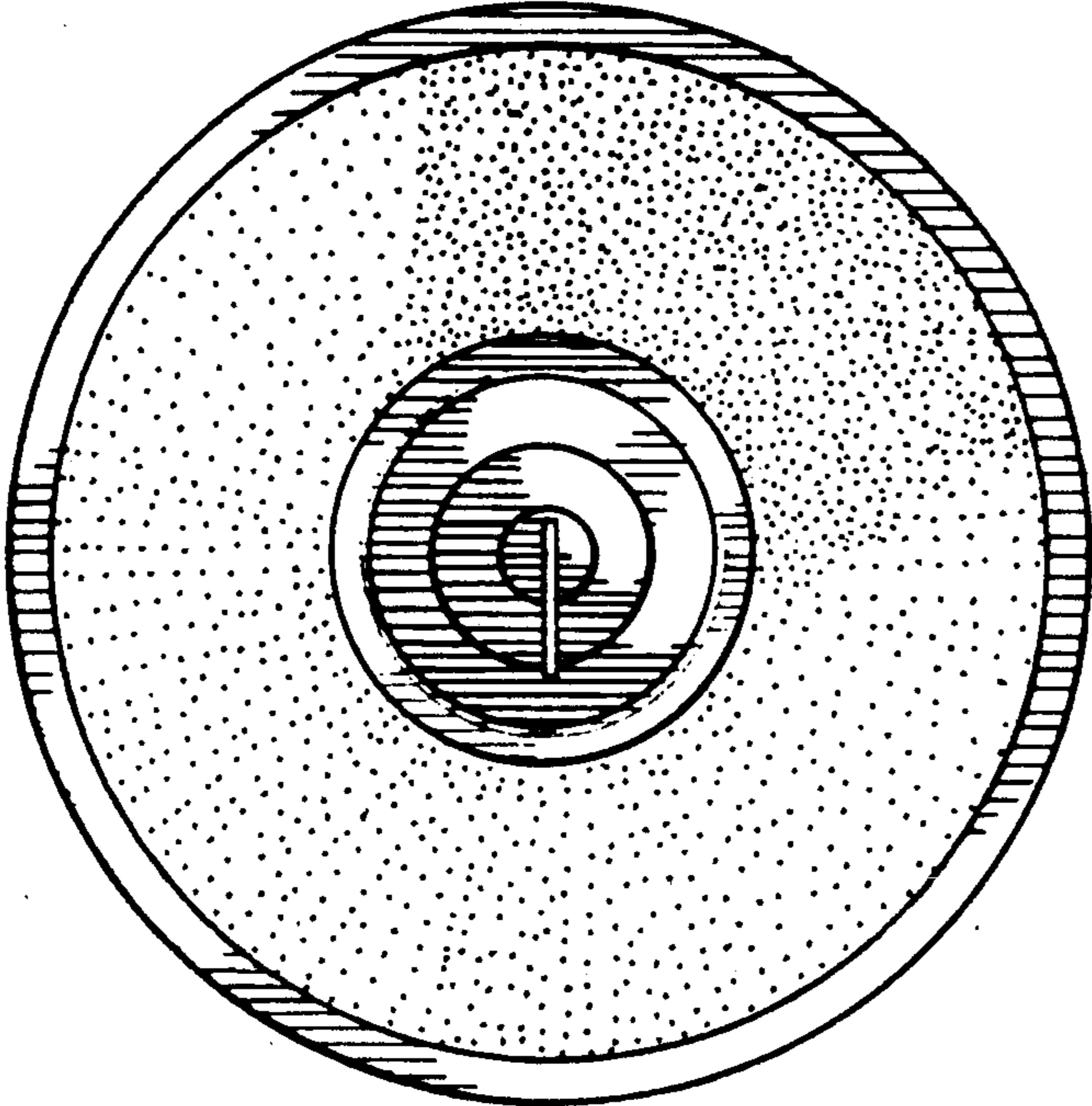


FIG. 3