

[54] **PEDESTAL LAVATORY**
 [75] **Inventor: William C. McKeone, Sheboygan, Wis.**
 [73] **Assignee: Kohler Co., Kohler, Wis.**
 [**] **Term: 14 Years**
 [21] **Appl. No.: 456,769**
 [22] **Filed: Dec. 26, 1989**
 [52] **U.S. Cl. D23/292**
 [58] **Field of Search D23/270-274, D23/284-294, 308; 4/619, 625, 635-650**

[56] **References Cited**

U.S. PATENT DOCUMENTS

D. 36,907	5/1904	Weelans	D23/294
D. 37,691	11/1905	Fravenheim	D23/294
D. 45,289	2/1914	Cochran	D23/292
D. 57,770	5/1921	Crane	D23/297
D. 101,446	10/1936	Dreyfuss et al.	D23/292 X
D. 125,034	2/1941	Lewis	D23/292
D. 231,675	5/1974	Fee	D23/294
D. 241,846	10/1976	Ribits et al.	D23/285
D. 242,859	12/1976	Gruber	D23/285
D. 264,719	6/1982	Bengtson	D23/292
D. 288,352	2/1987	Smith	D23/285
D. 288,354	2/1987	Smith	D23/285
D. 289,792	5/1987	Hardion	D23/292
1,891,591	12/1932	Finley	4/646

OTHER PUBLICATIONS

Edwardian advertisement, undated, showing the 19795 Pedestal Lavatory.
 Sanitan Advertisement for Various Pedestal Lavatories, undated.
 Page 2 of a Brochure Entitled "Kohler New Products

1989" by Kohler Co., Showing the "Vintage" Pedestal Lavatory.
 Page 8-2a of the Kohler Co. K-400 Catalog, dated Apr. 1989.

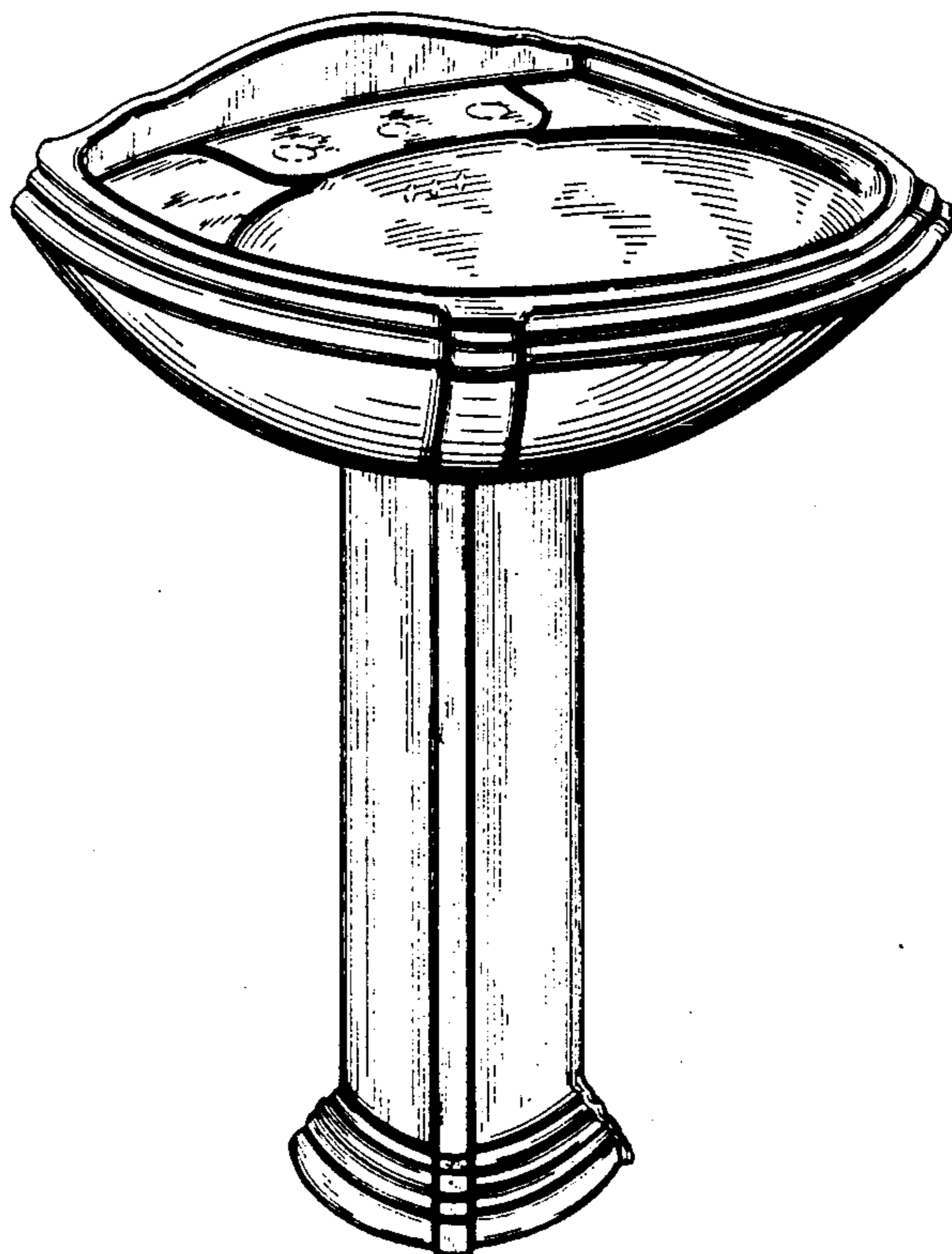
Primary Examiner—James R. Largen
Attorney, Agent, or Firm—Quarles & Brady

[57] **CLAIM**

The ornamental design for a pedestal lavatory, as shown and described.

DESCRIPTION

FIG. 1 is a top left perspective view of a pedestal lavatory showing my new design;
 FIG. 2 is a top plan view thereof;
 FIG. 3 is a front elevational view thereof;
 FIG. 4 is a right side elevational view thereof, the left side being the mirror image of the right side;
 FIG. 5 is a fragmentary cross-sectional view taken on line 5—5 of FIG. 2;
 FIG. 6 is a fragmentary cross-sectional view taken along line 6—6 of FIG. 2;
 FIG. 7 is a cross-sectional view taken along line 7—7 of FIG. 4;
 FIG. 8 is a front elevational view of a second embodiment of the lavatory shown in FIG. 1;
 FIG. 9 is a right side elevational view of FIG. 8, the left side being the mirror image of the right side;
 FIG. 10 is a bottom view of FIG. 8; and
 FIG. 11 is a top, front perspective view of the lavatory portion thereof.
 The broken line representation of holes in FIGS. 1, 2, 5 and 11 are for illustration only and form no part of the claimed design.



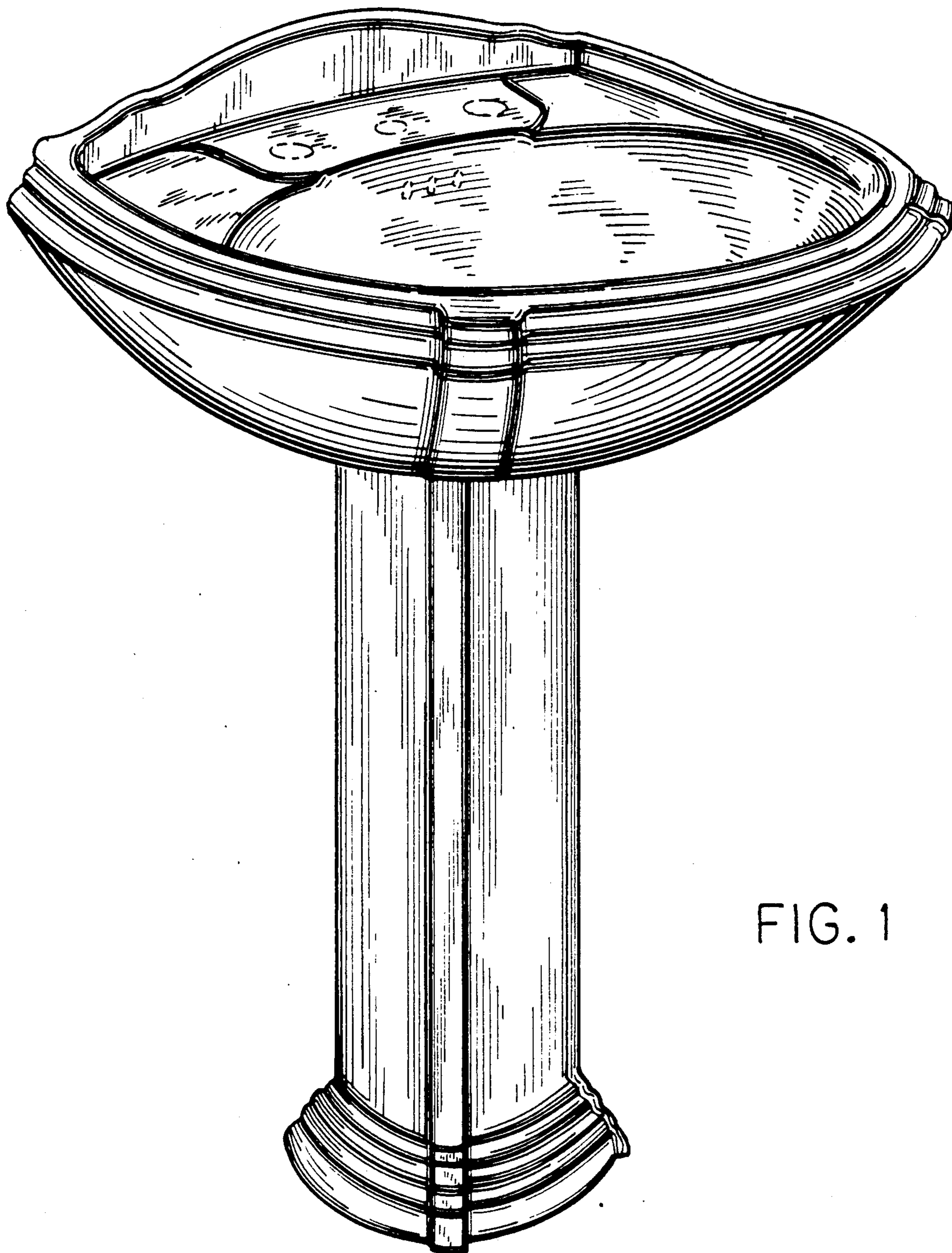


FIG. 1

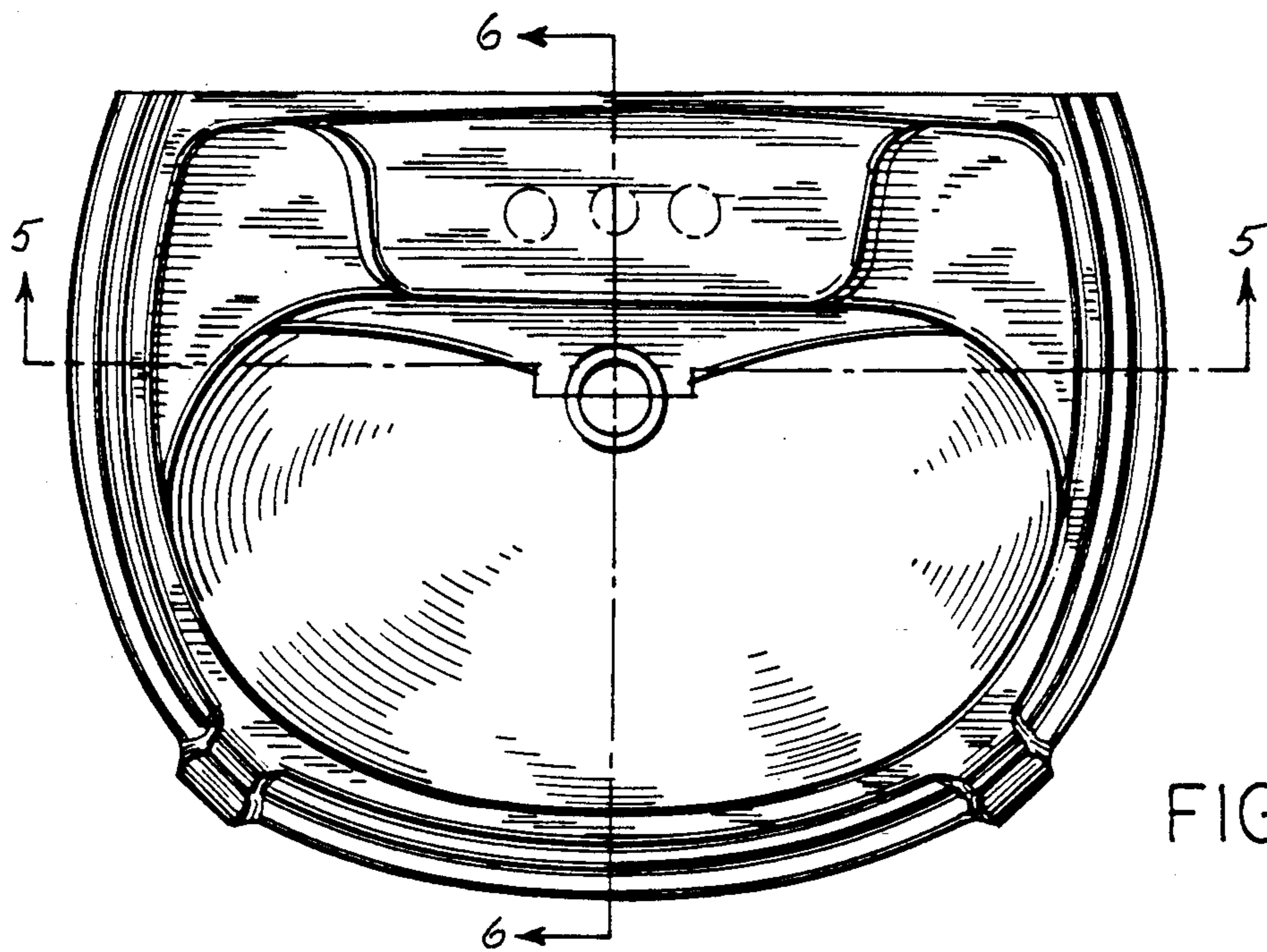


FIG. 2

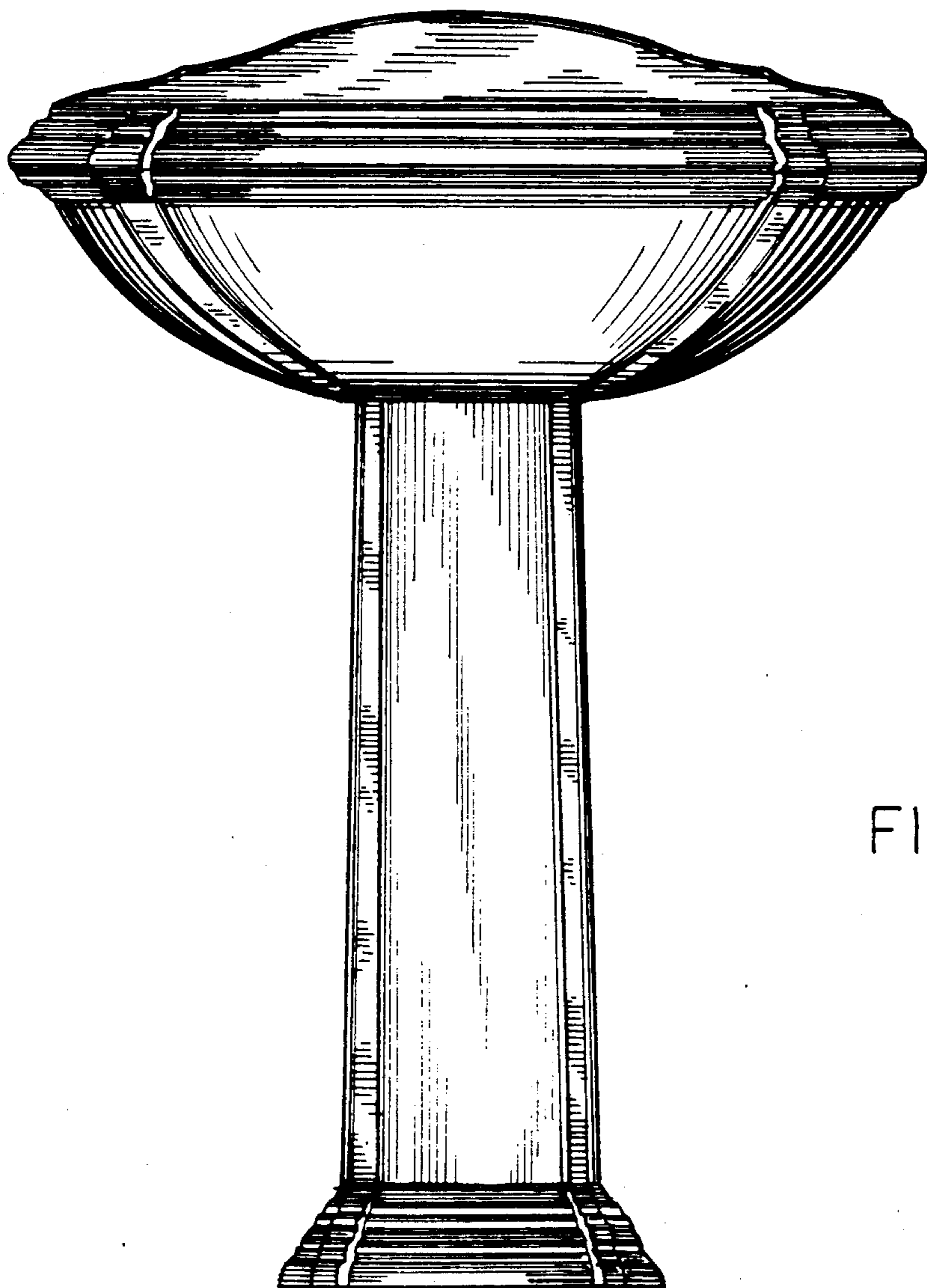


FIG. 3

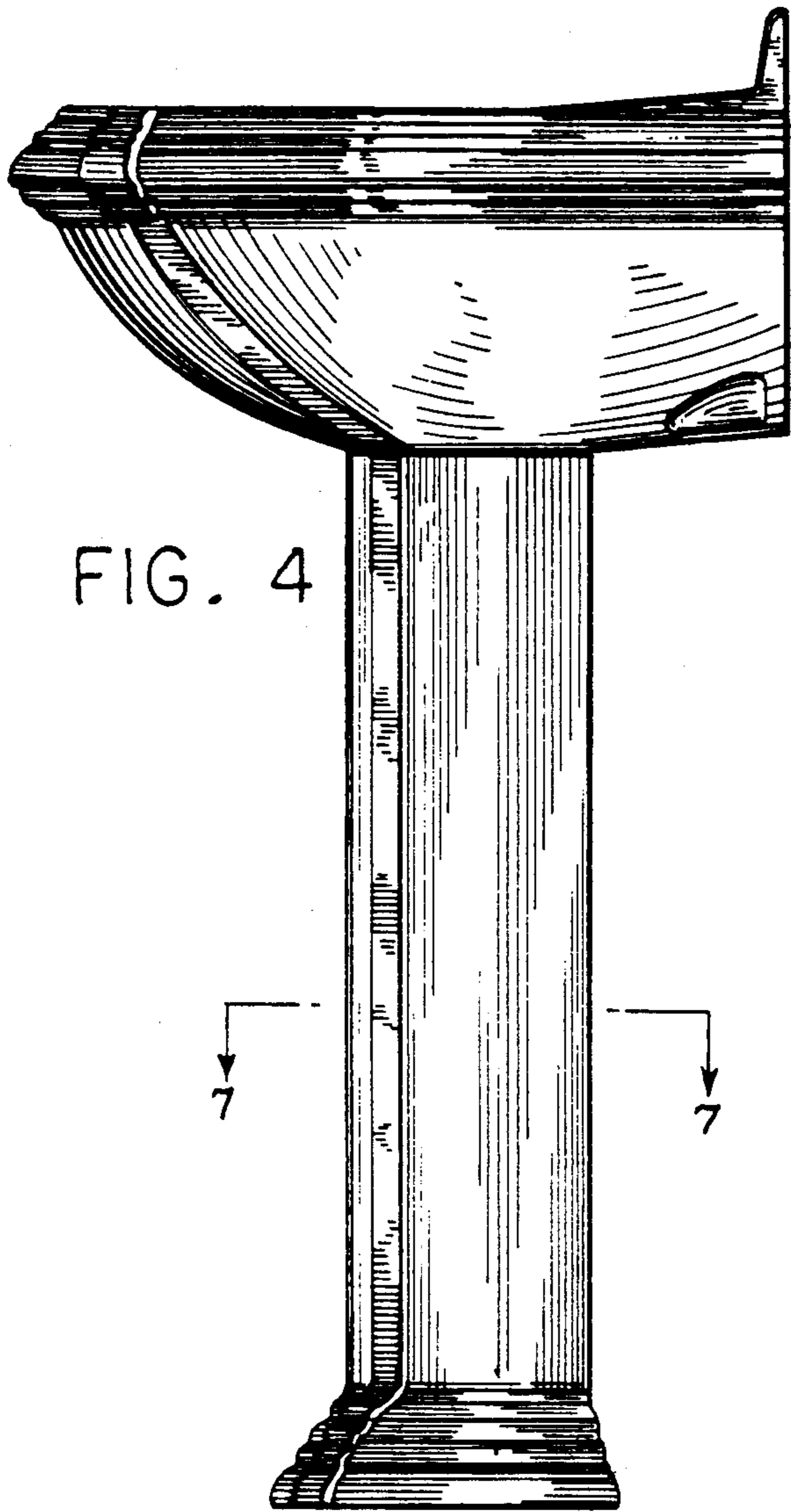


FIG. 7

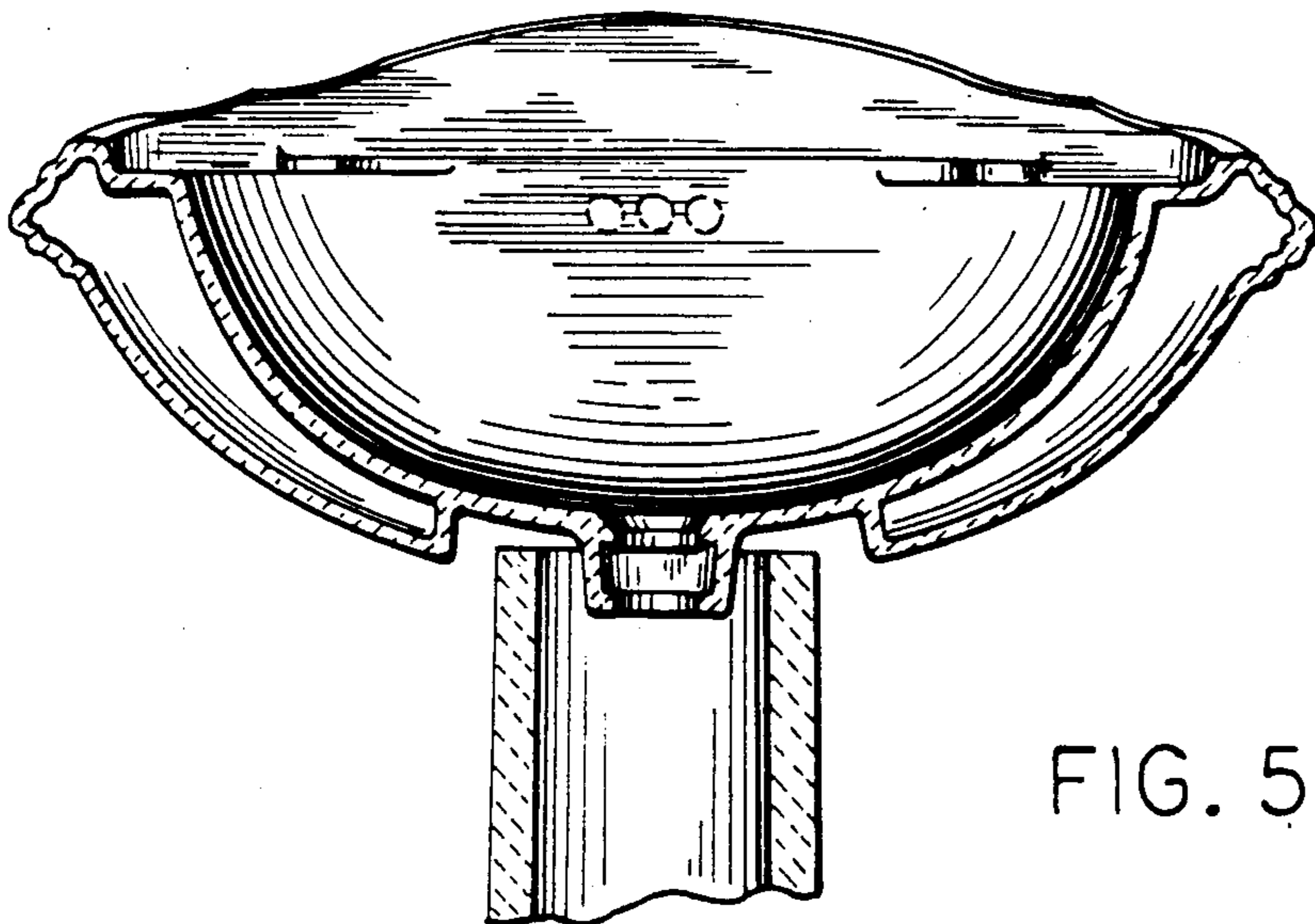
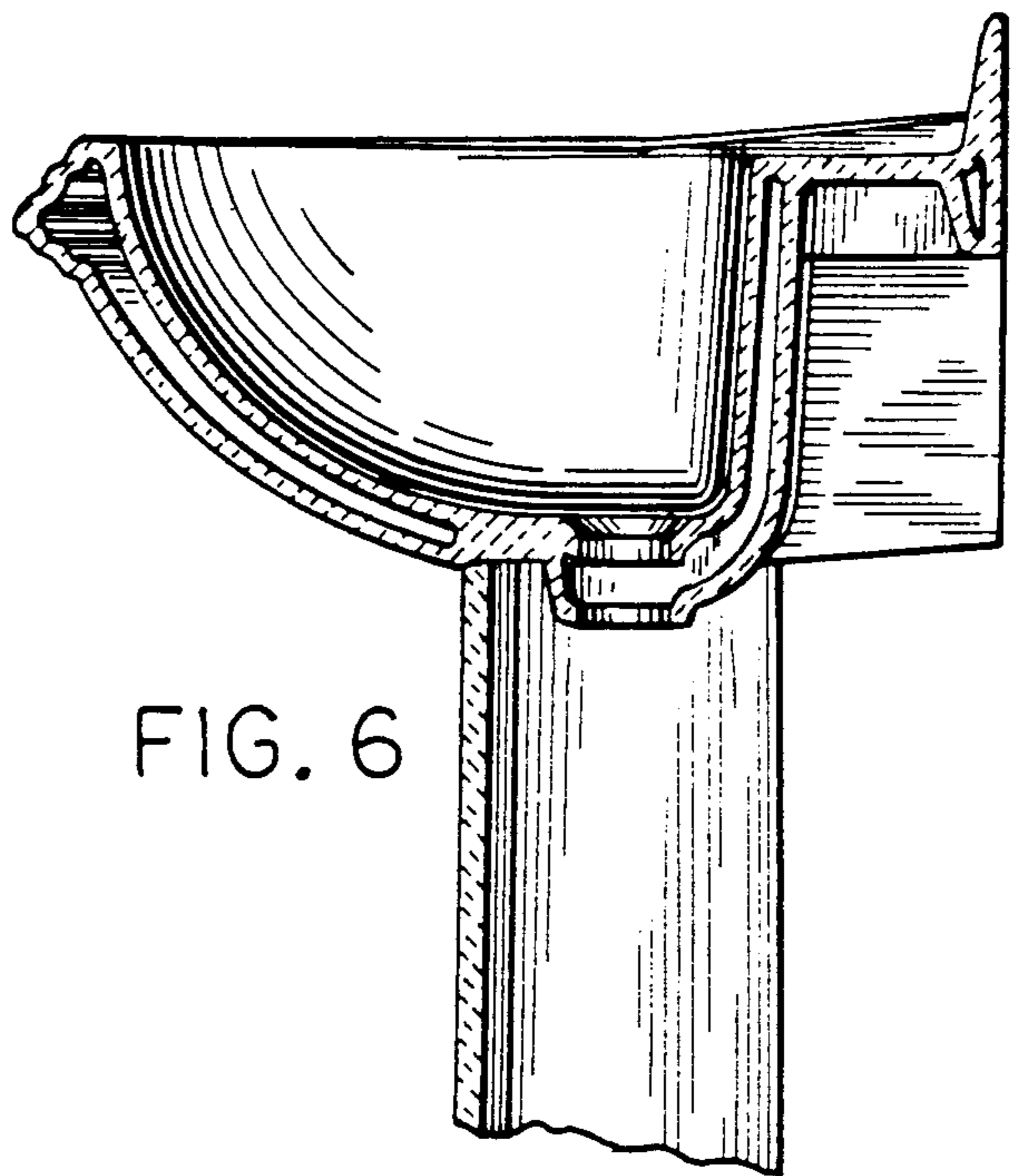
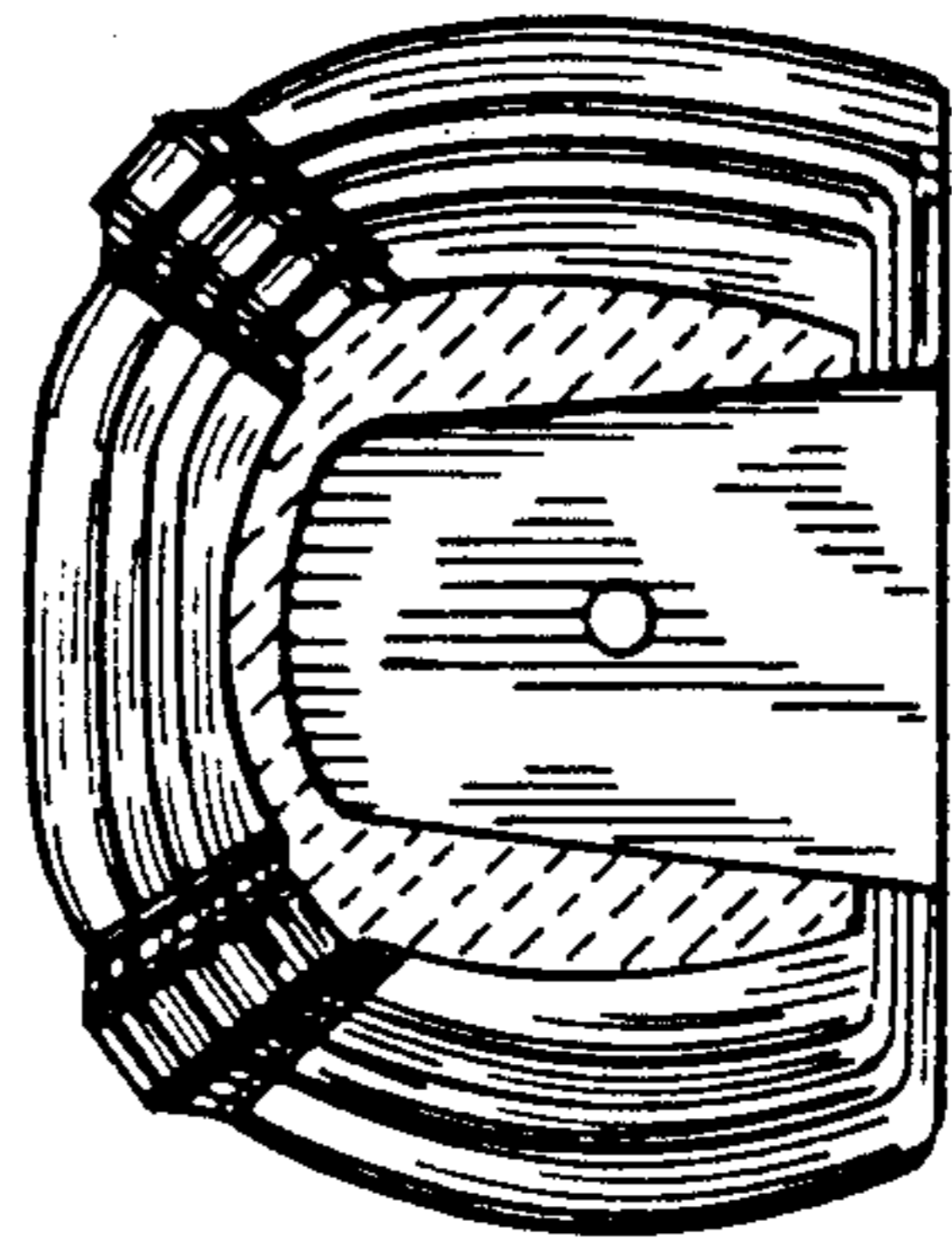


FIG. 8

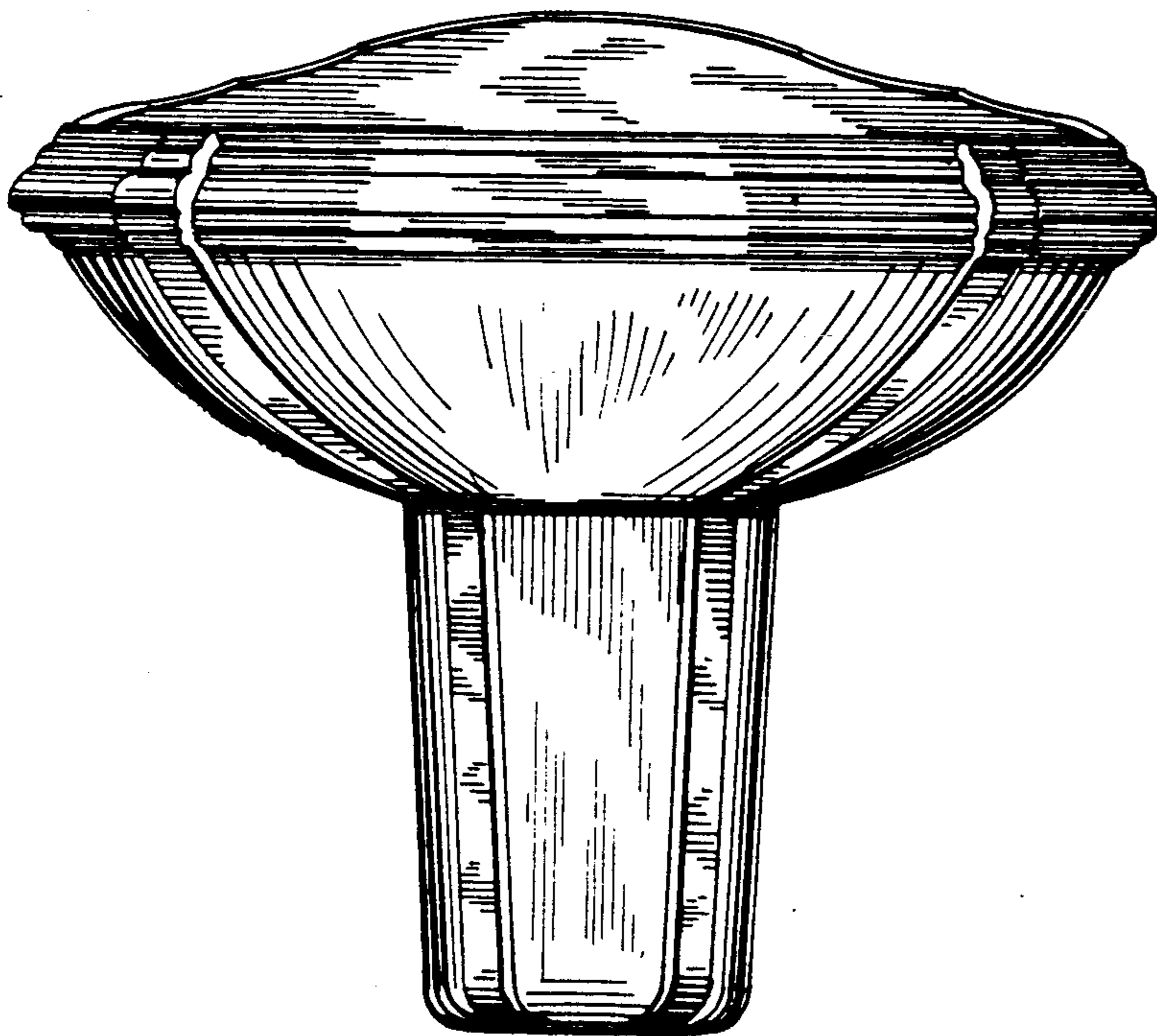


FIG. 9

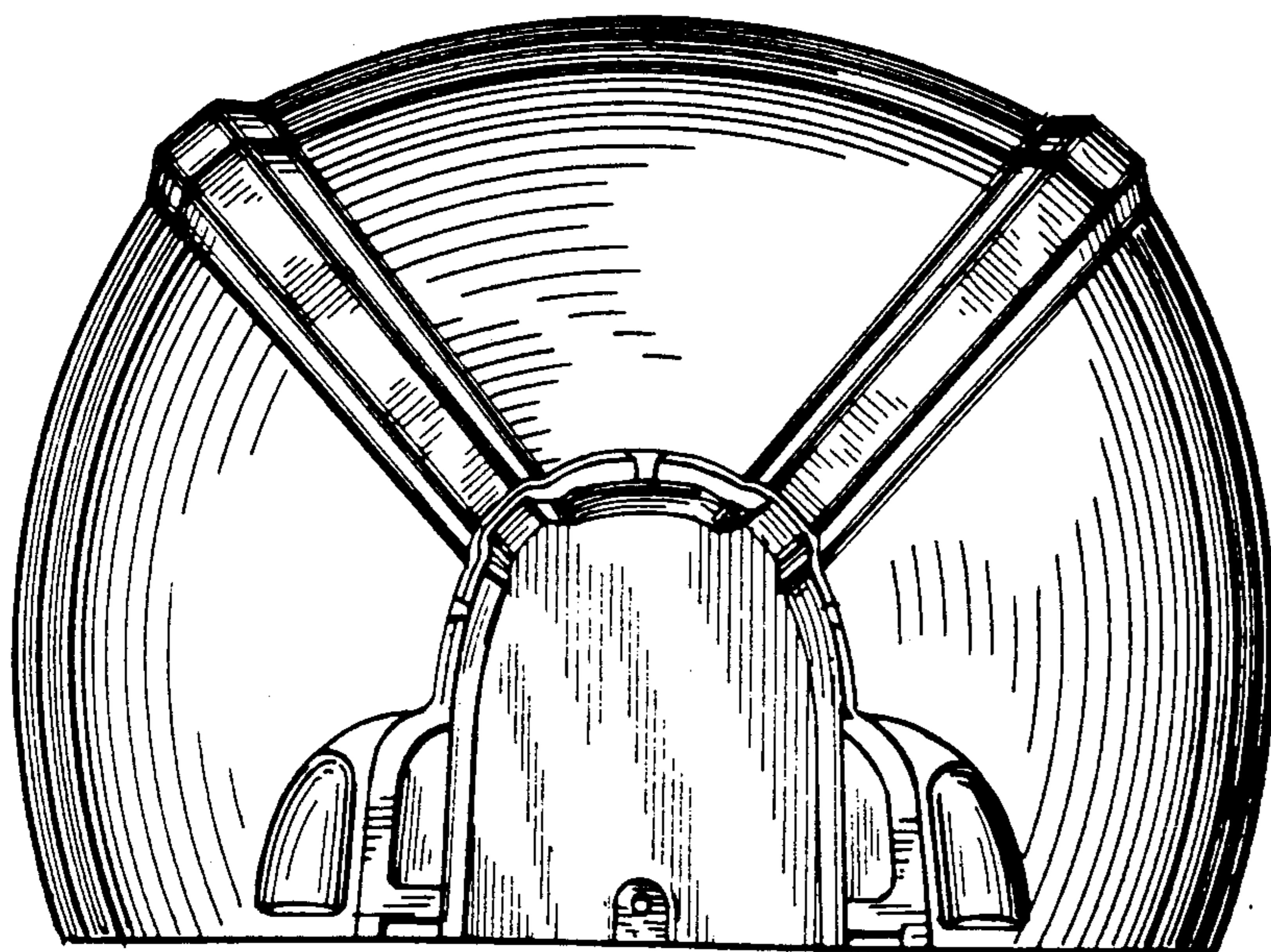
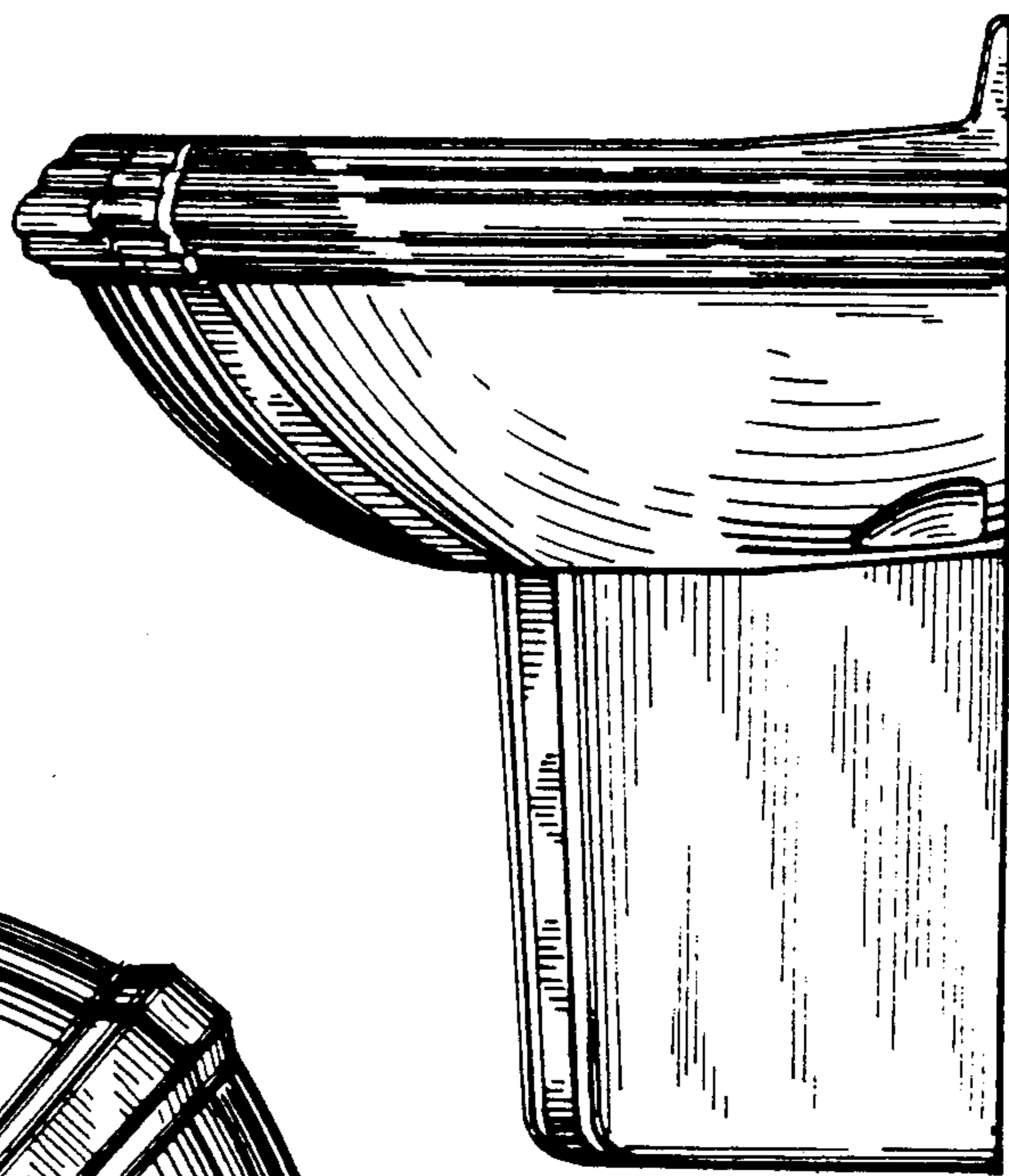


FIG. 10

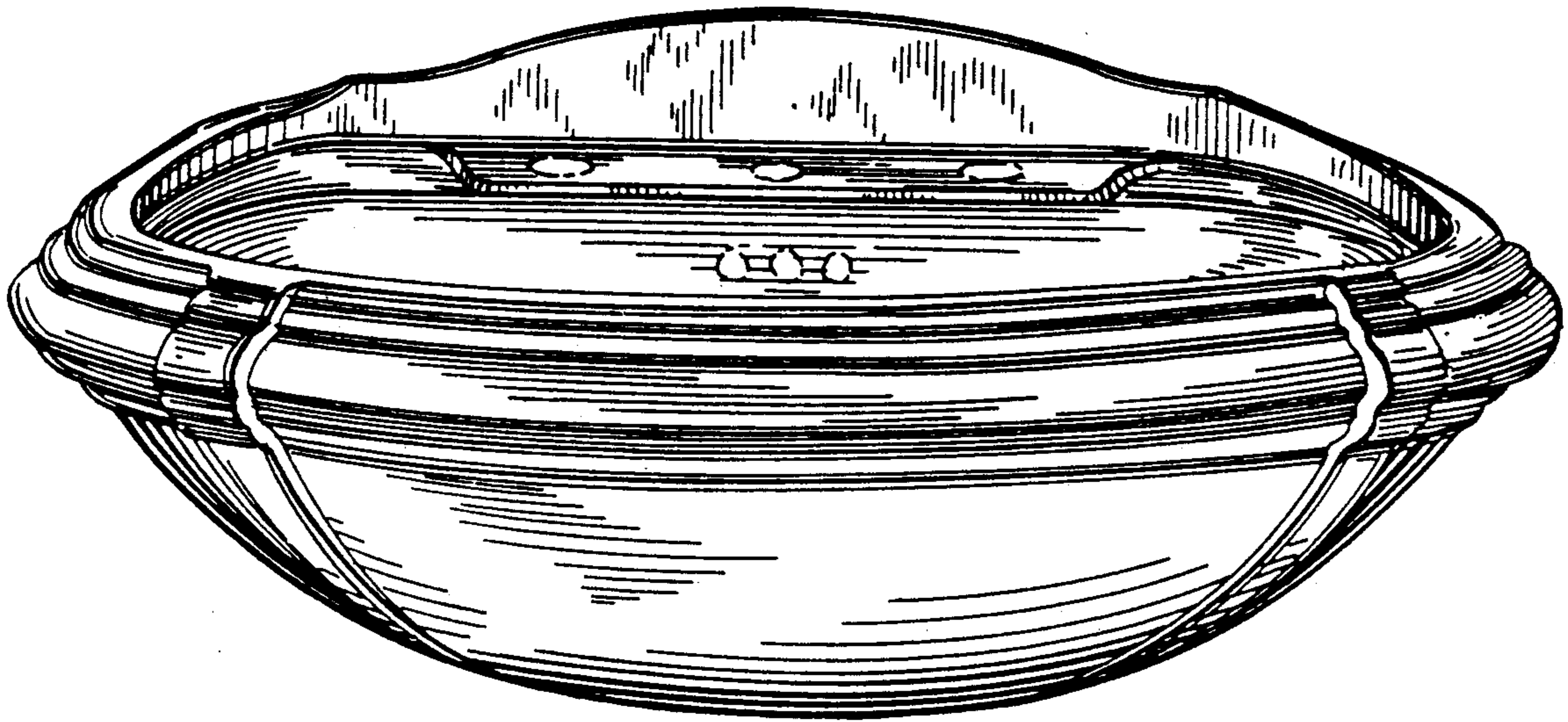


FIG. 11

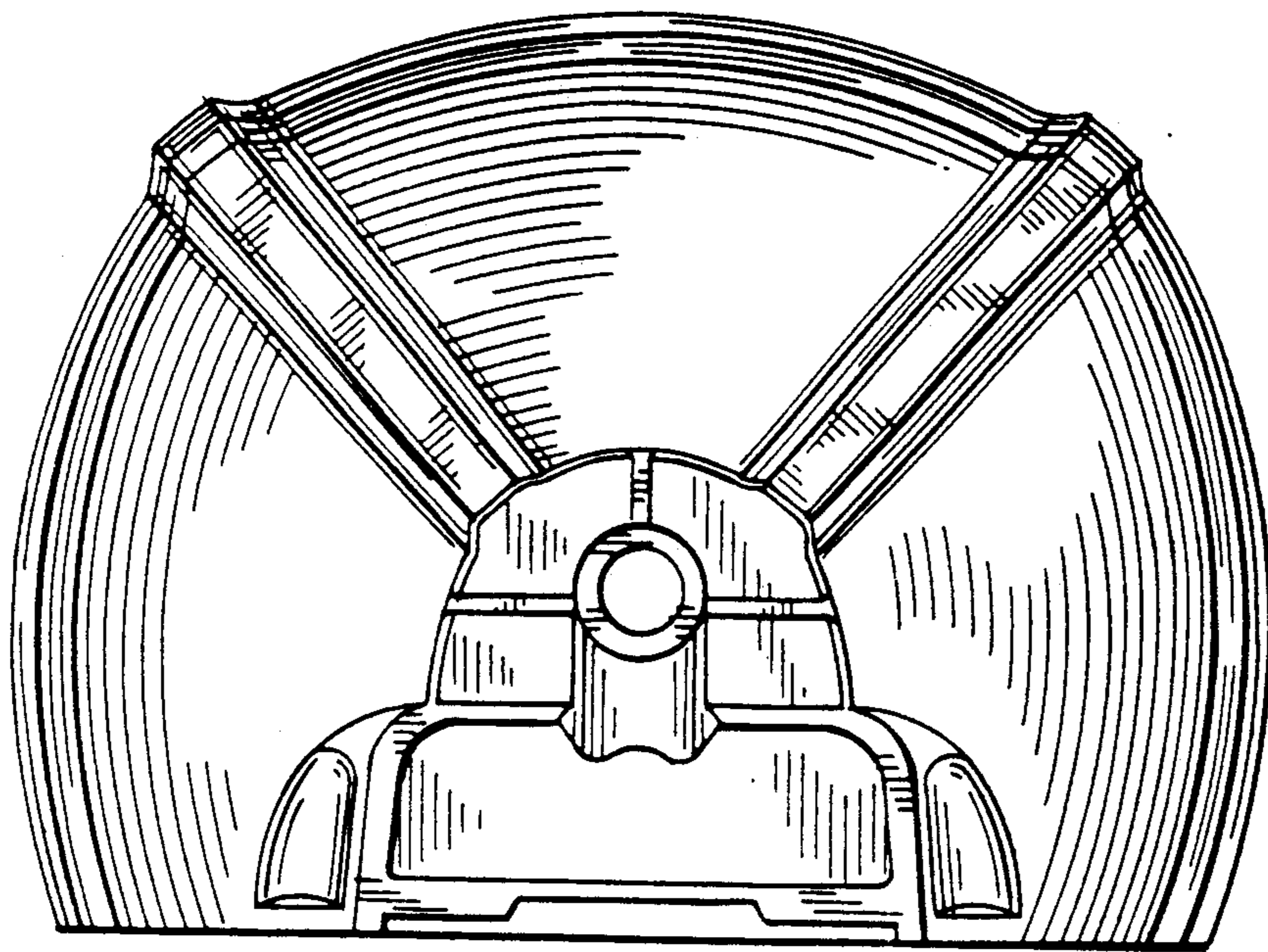


FIG. 12