

[54] HANDLE FOR A FAUCET

[75] Inventor: Kenneth E. Rawald, Huntington Beach, Calif.

[73] Assignee: Masco Building Products Corp., Taylor, Mich.

[**] Term: 14 Years

[21] Appl. No.: 298,701

[22] Filed: Jan. 18, 1989

[52] U.S. Cl. D23/252; D8/308

[58] Field of Search D23/238-243, D23/250-254; D8/300, 307-312; 4/191, 192; 137/801; 16/121

[56] References Cited

U.S. PATENT DOCUMENTS

- D. 279,213 6/1985 Paul D23/242
- D. 286,437 9/1985 Rademacher D23/242

- D. 290,335 6/1987 Pibie D8/308
- D. 290,869 7/1987 Paul D23/242
- D. 298,411 11/1988 Castiglioni D8/308
- D. 303,075 8/1989 Mosch D8/308 X
- D. 312,956 12/1990 Boeri D8/308

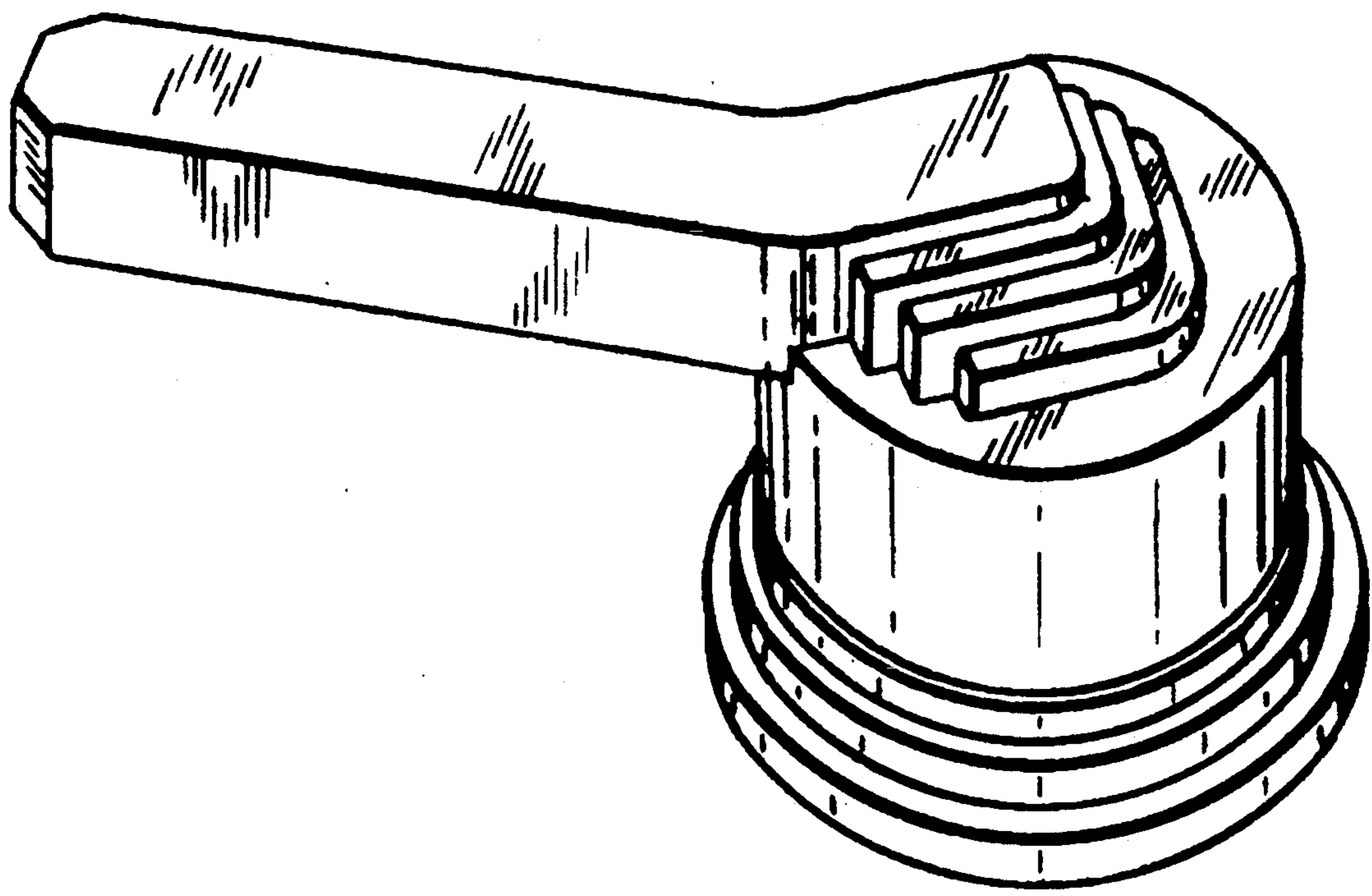
Primary Examiner—James R. Largen
Attorney, Agent, or Firm—Myron B. Kapustij; Malcolm L. Sutherland; Edgar A. Zarins

[57] CLAIM

The ornamental design for a handle for a faucet, substantially as shown.

DESCRIPTION

FIG. 1 is a front perspective view of a handle for a faucet showing my new design; FIG. 2 is a top plan view thereof; FIG. 3 is a rear elevational view thereof; FIG. 4 is a left side elevational view thereof; and FIG. 5 is a right side elevational view thereof.



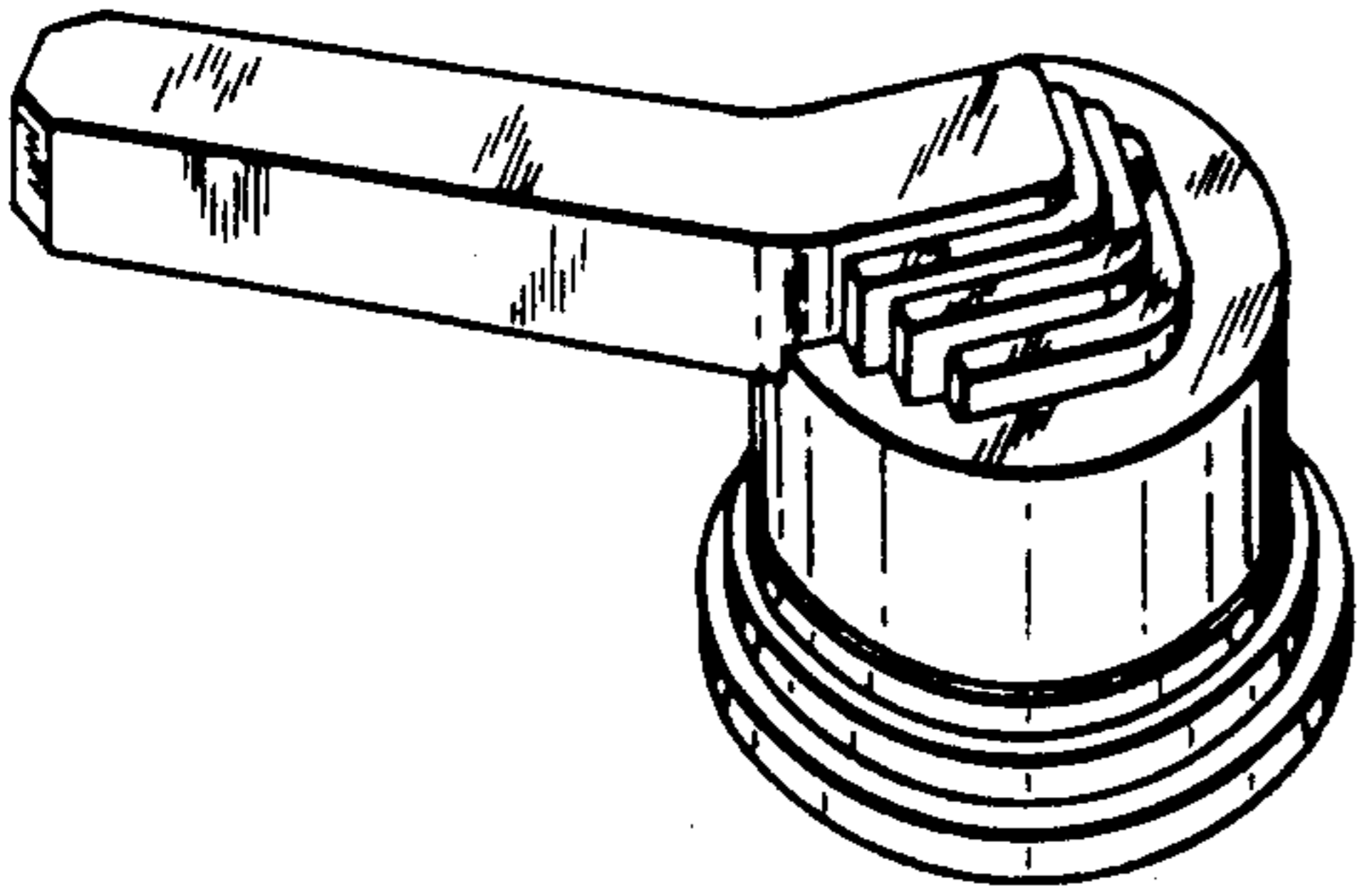


FIG. 1.

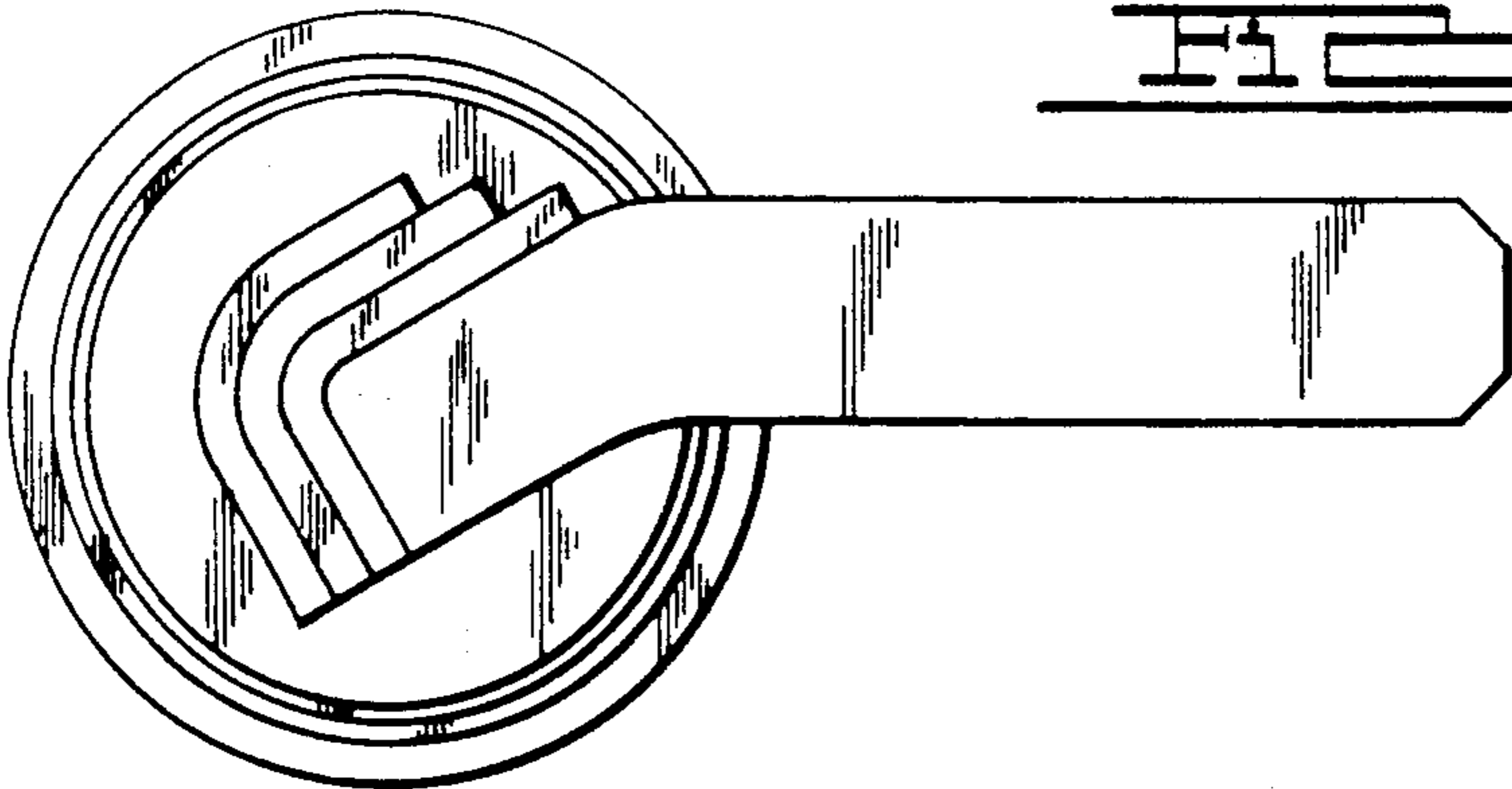


FIG. 2.

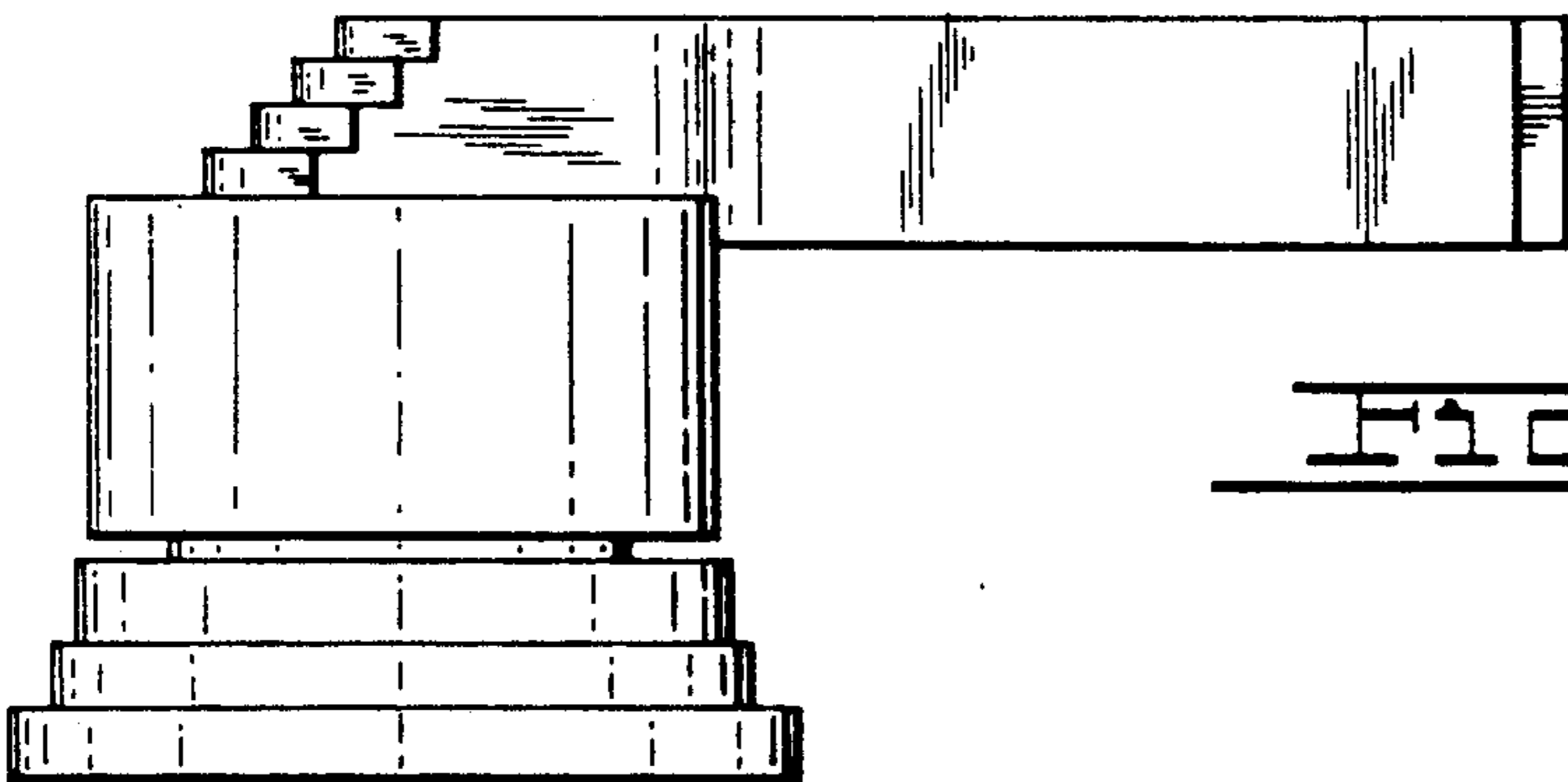


FIG. 3.

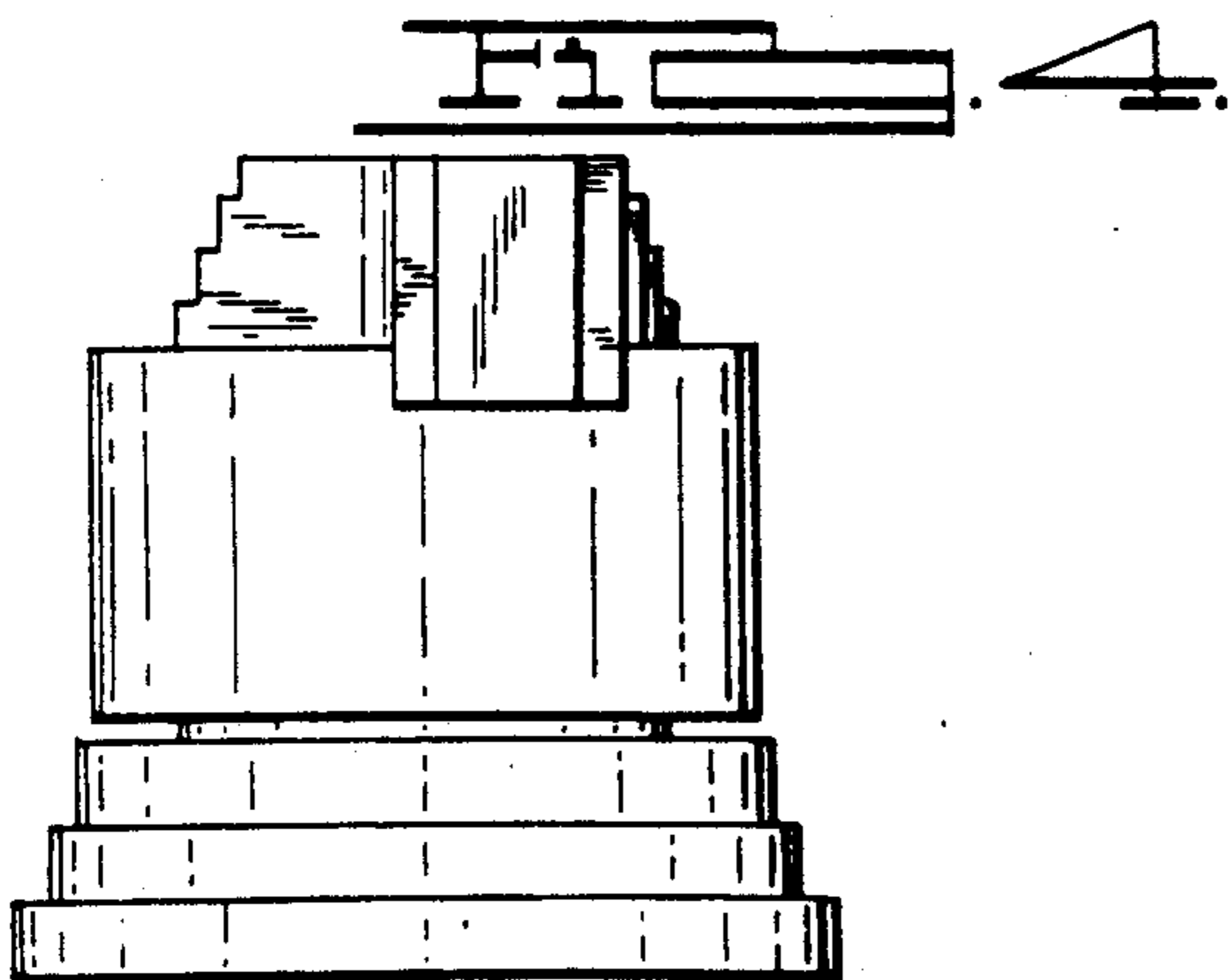


FIG. 4.

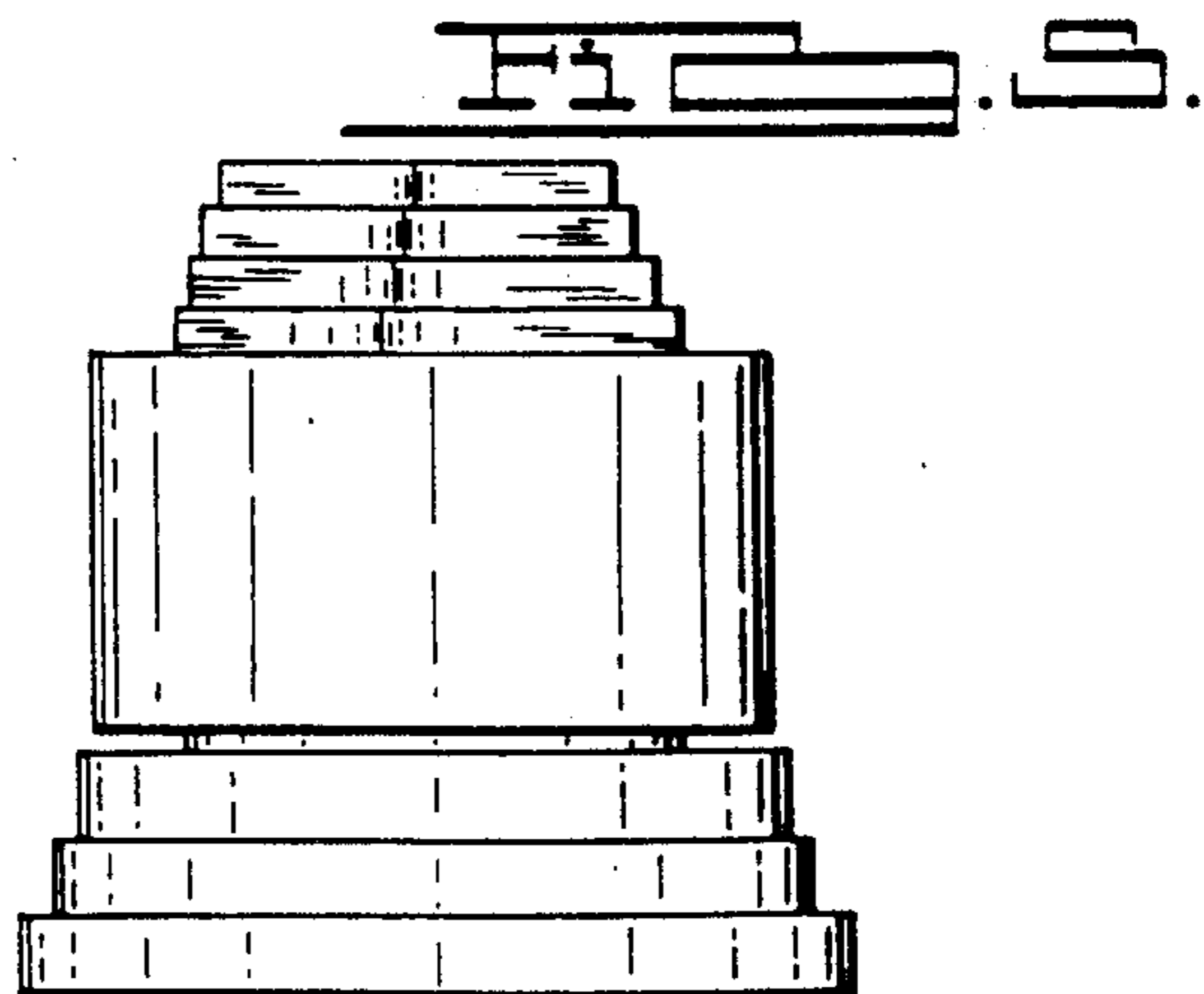


FIG. 5.